



US00D476563S

(12) **United States Design Patent** (10) **Patent No.:** **US D476,563 S**  
**Brozell et al.** (45) **Date of Patent:** **\*\* Jul. 1, 2003**

(54) **SQUEEZE-AND-TURN CHILD RESISTANT CLOSURE**

*Primary Examiner*—Louis S. Zarfaz  
*Assistant Examiner*—Gregory Andoll

(75) Inventors: **Brian J. Brozell**, Maumee, OH (US);  
**Stephen A. Eilertson**, Perrysburg, OH (US);  
**Philip J. Robinson**, Sylvania, OH (US)

(57) **CLAIM**

We claim the ornamental design for a squeeze-and-turn child resistant closure, as shown and described.

(73) Assignee: **Owens-Illinois Closure Inc.**, Toledo, OH (US)

**DESCRIPTION**

(\*\*) Term: **14 Years**

(21) Appl. No.: **29/167,174**

(22) Filed: **Sep. 9, 2002**

(51) **LOC (7) Cl.** ..... **07-09**

(52) **U.S. Cl.** ..... **D9/435; D9/454; D9/453; D9/452; D9/443**

(58) **Field of Search** ..... D9/435, 443, 445, D9/452, 453, 454; 215/216, 217, 218, 219, 206

FIG. 1 is a perspective view of a squeeze-and-turn child resistant closure in accordance with one exemplary presently preferred embodiment of the invention;

FIG. 2 is a top plan view of the closure, the bottom of the closure being without ornamentation and forming no part of the claimed design;

FIG. 3 is a side elevational view from the bottom in FIG. 2, the opposing side elevational view being substantially a mirror image thereof;

FIG. 4 is a side elevational view taken from the right in FIG. 3, the opposing side elevational view being substantially a mirror image thereof;

FIG. 5 is a perspective view of a squeeze-and-turn child resistant closure in accordance with a second exemplary embodiment of the invention, the top plan view of which is substantially the same as FIG. 2 and the bottom being without ornamentation and forming no part of the claimed design;

FIG. 6 is a side elevational view of the closure in FIG. 5, the opposing side elevational view being substantially a mirror image thereof; and,

FIG. 7 is an end elevational view of the closure in FIGS. 5-6, the opposing end elevational view being substantially a mirror image thereof.

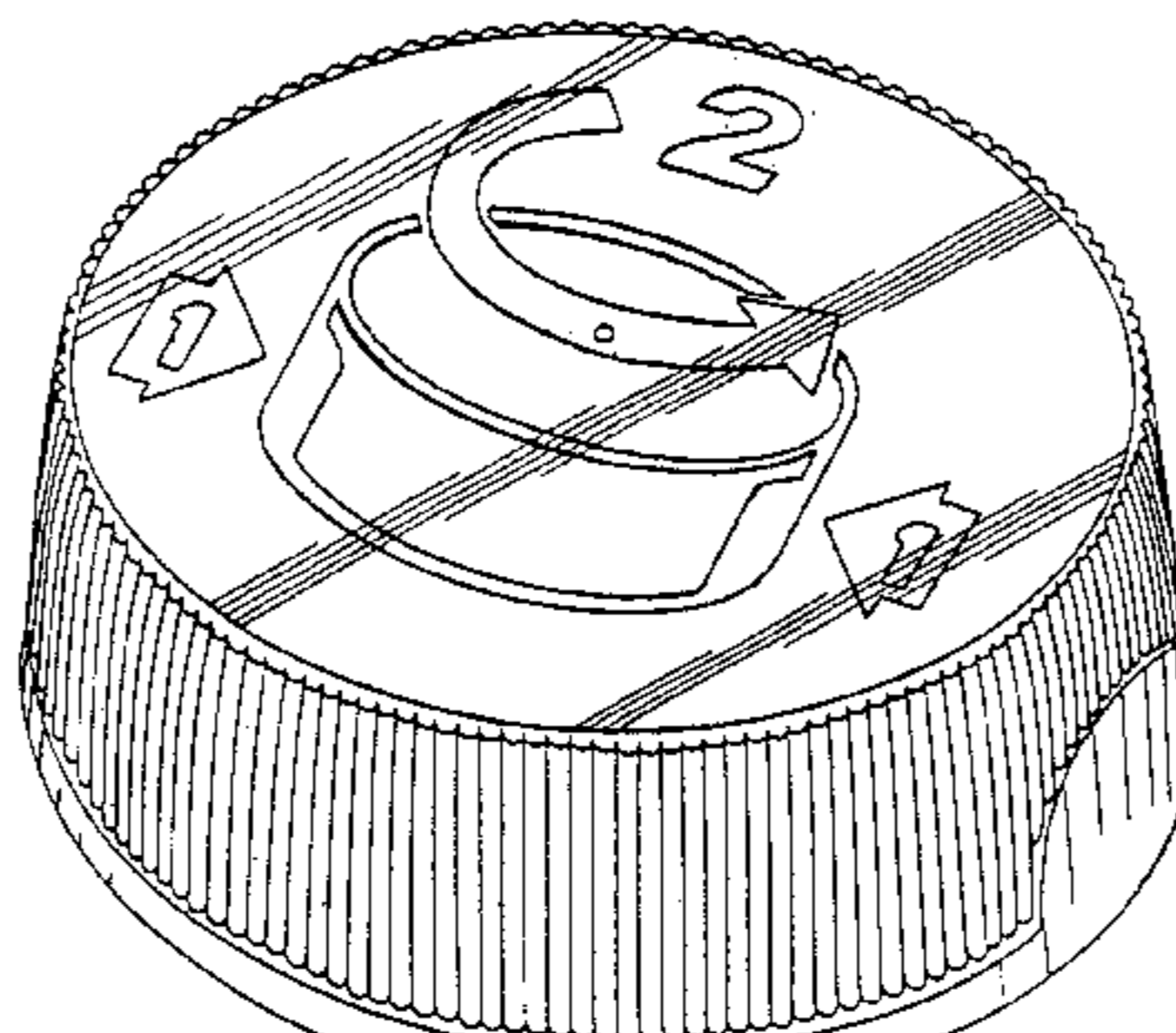
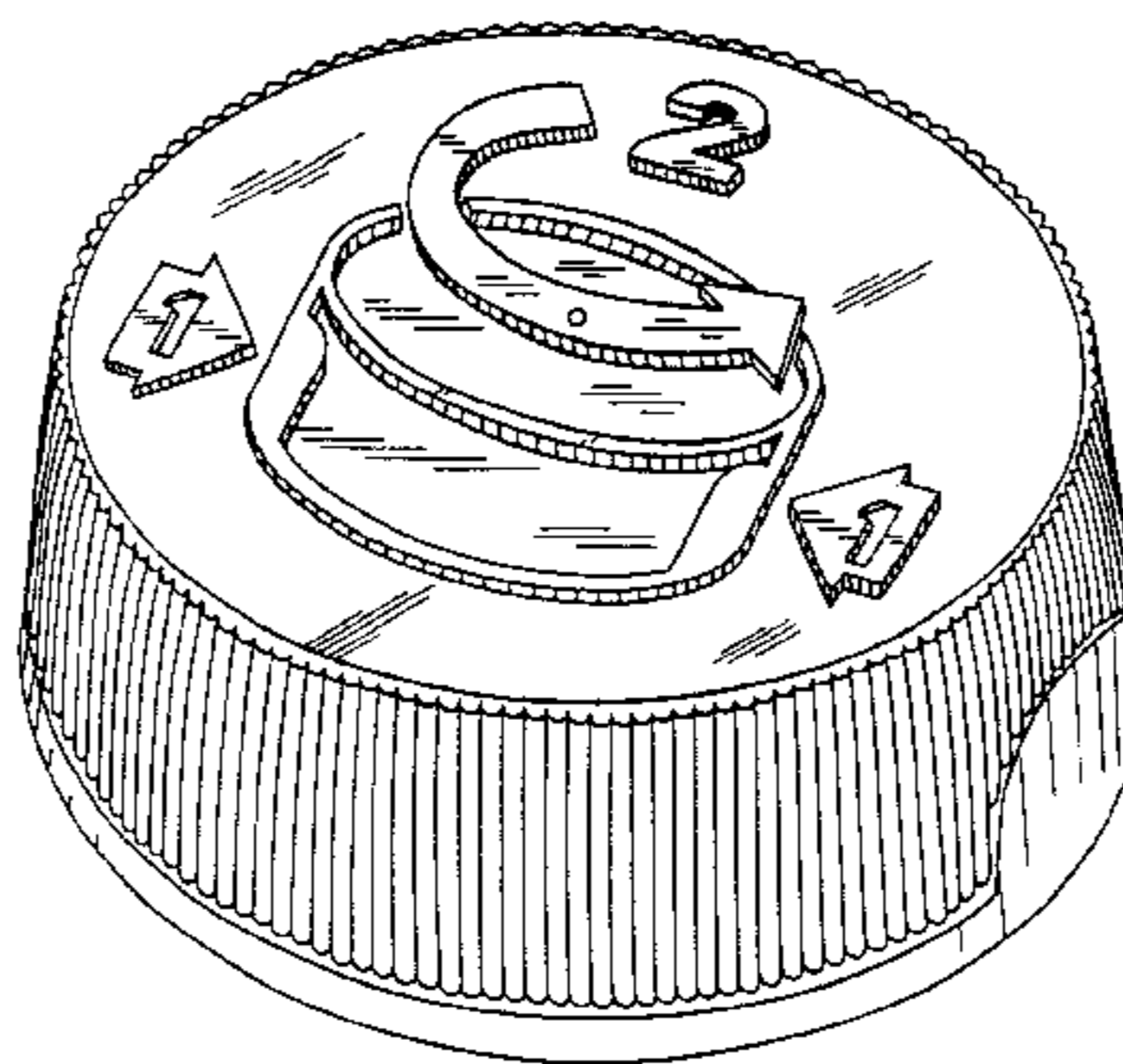
(56) **References Cited**

**U.S. PATENT DOCUMENTS**

1,685,147	A	9/1928	Case	
3,993,208	A	* 11/1976	Ostrowsky	..... 215/216
4,002,258	A	* 1/1977	Curry	..... 215/219
4,653,672	A	3/1987	Tuerk et al.	
4,752,014	A	6/1988	House et al.	
5,289,932	A	* 3/1994	Dimeo et al.	..... 216/206
5,551,582	A	9/1996	Robinson	
D399,743	S	10/1998	Coon	
D404,303	S	1/1999	Webster	
5,915,576	A	6/1999	Robinson	
D427,068	S	* 6/2000	Hierzer et al.	..... D9/453
6,357,615	B1	3/2002	Herr	

\* cited by examiner

**1 Claim, 3 Drawing Sheets**



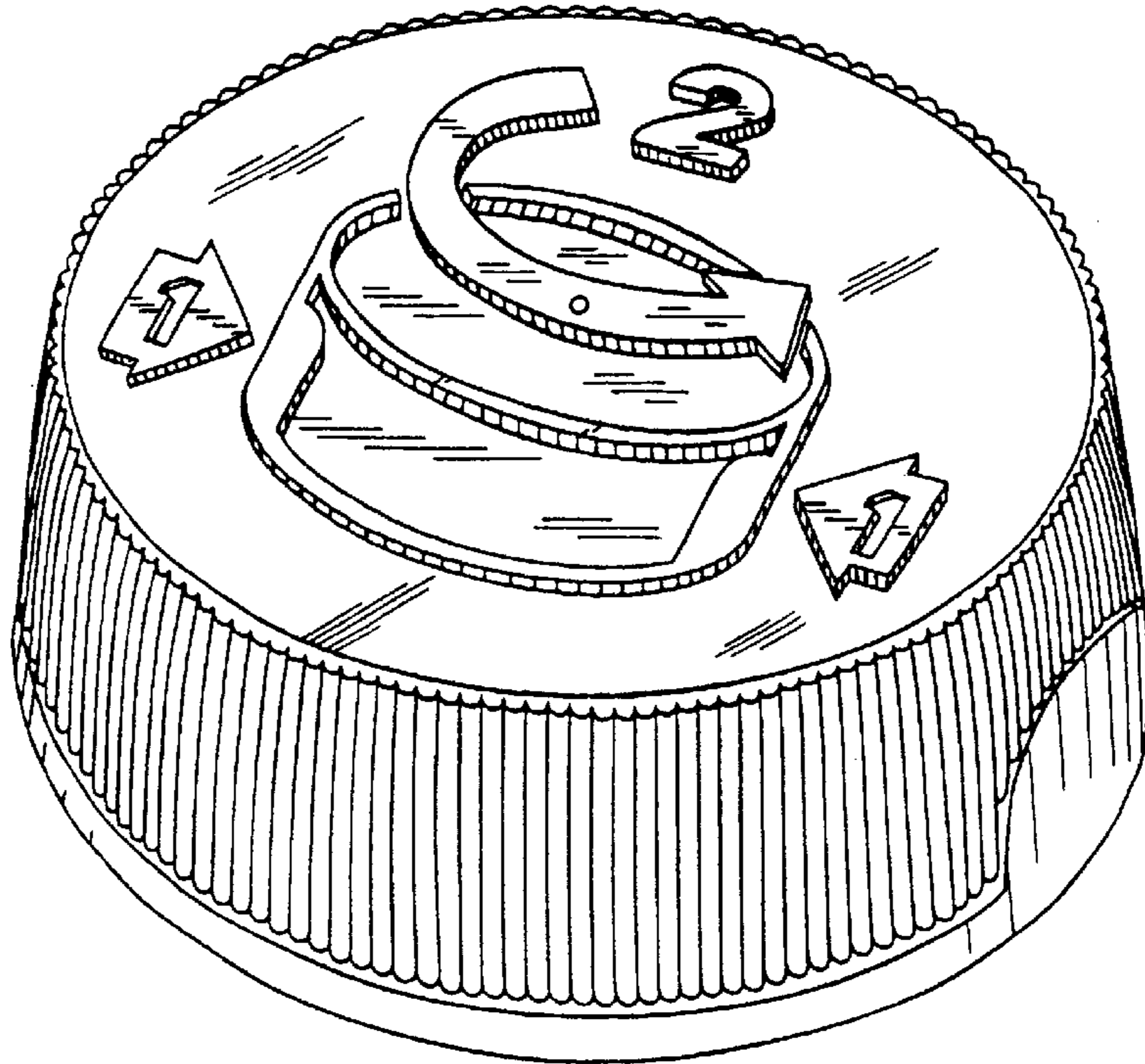


FIG. 1

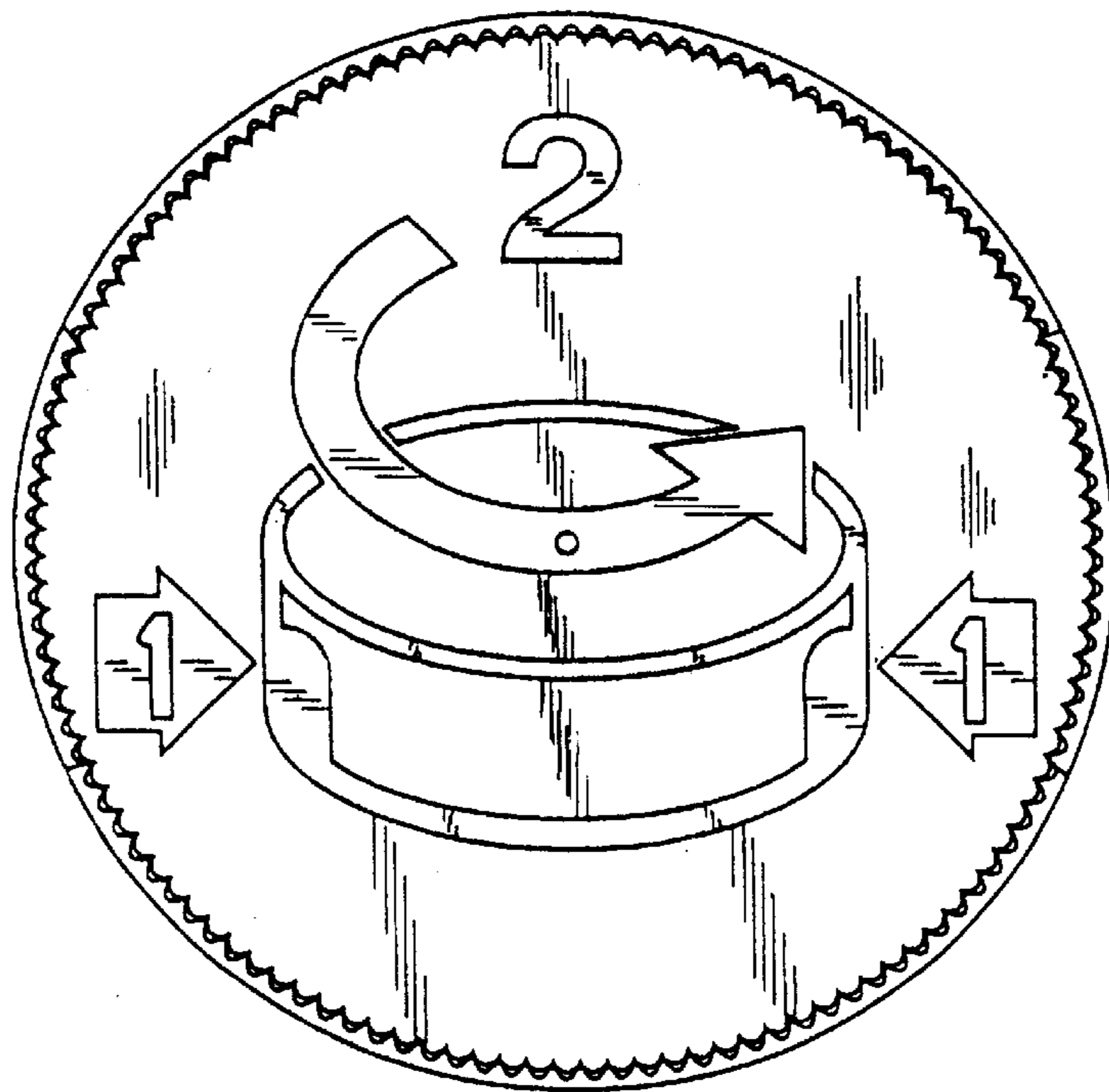


FIG. 2

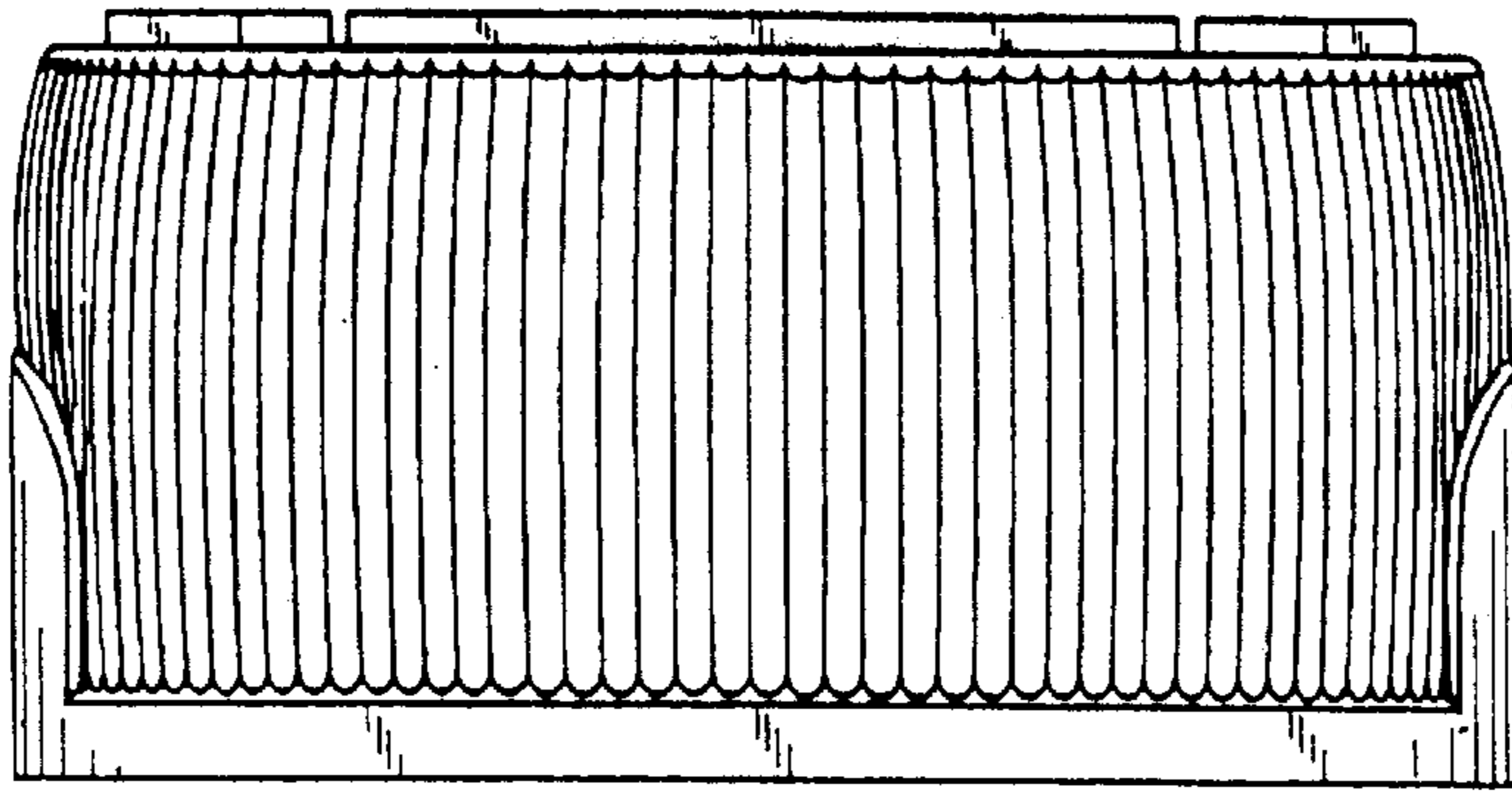


FIG. 3

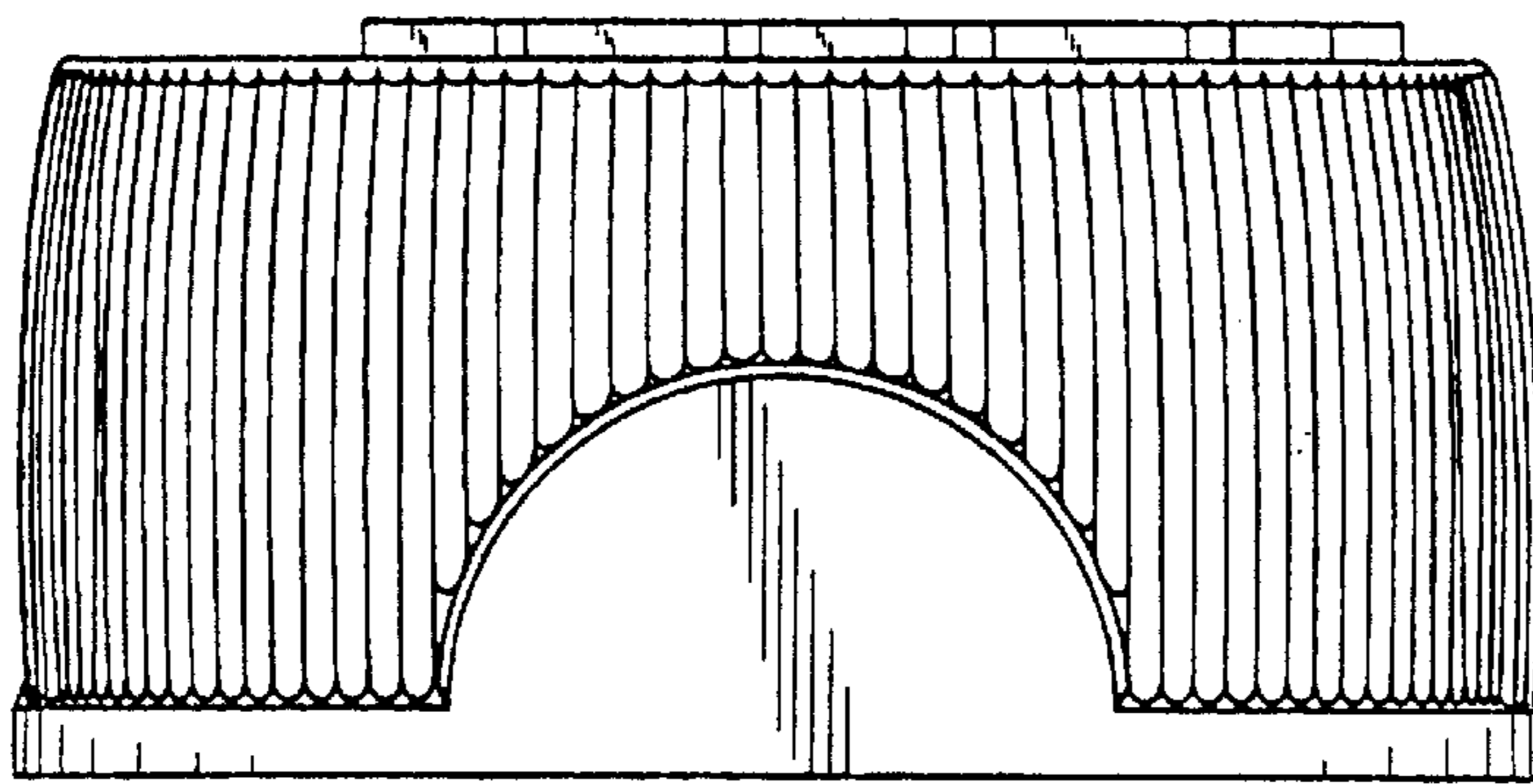


FIG. 4

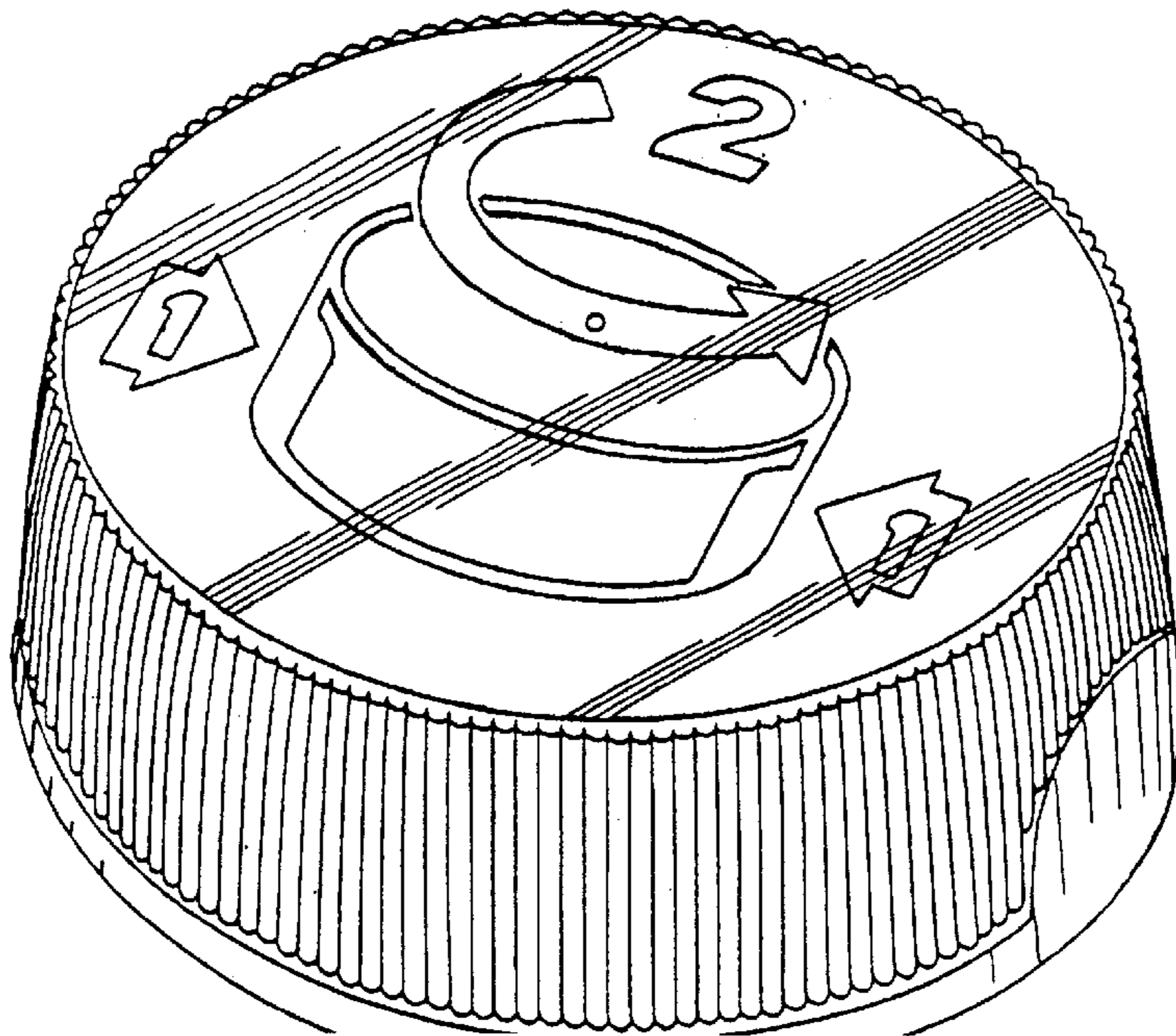


FIG. 5

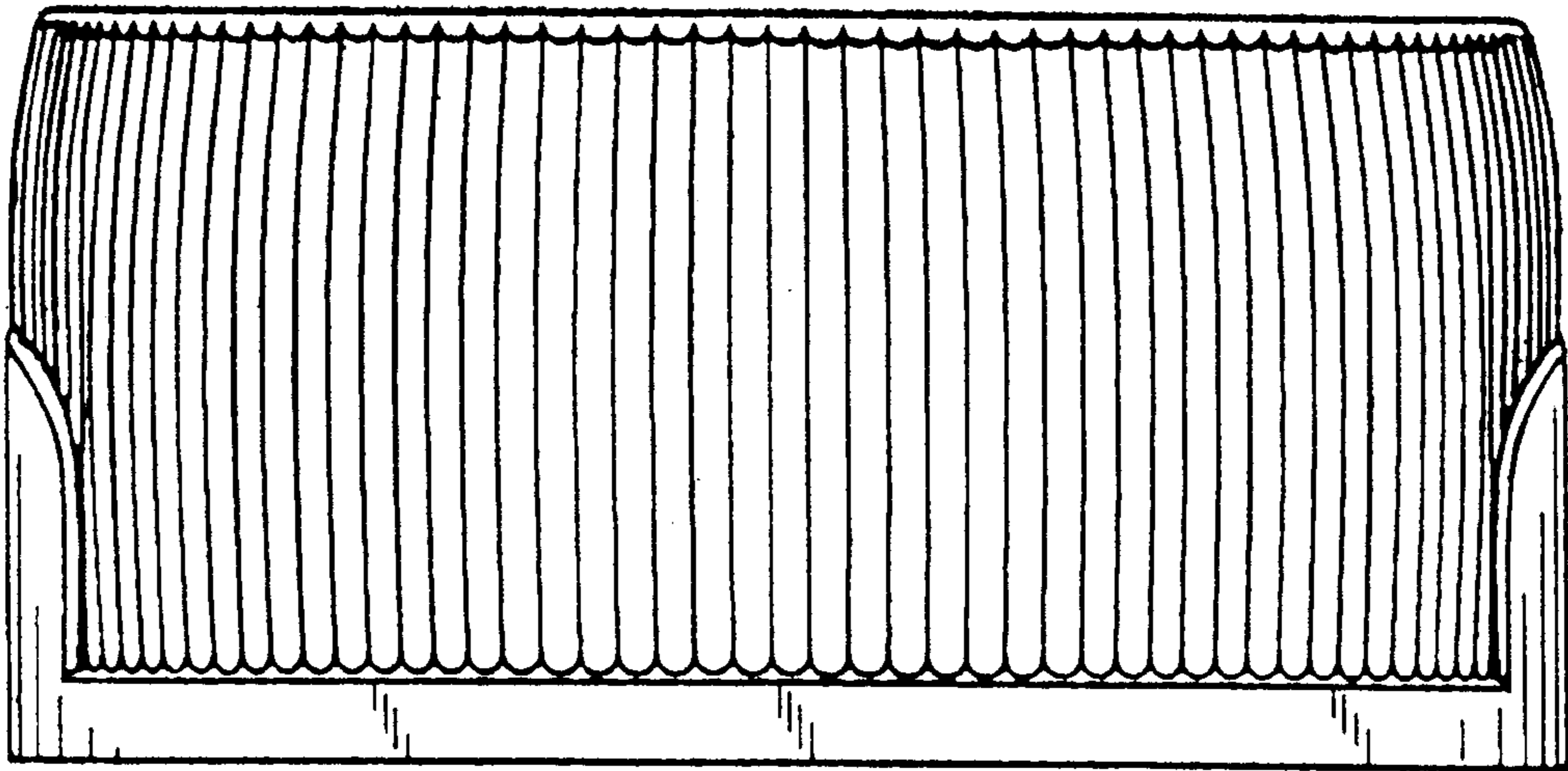


FIG. 6

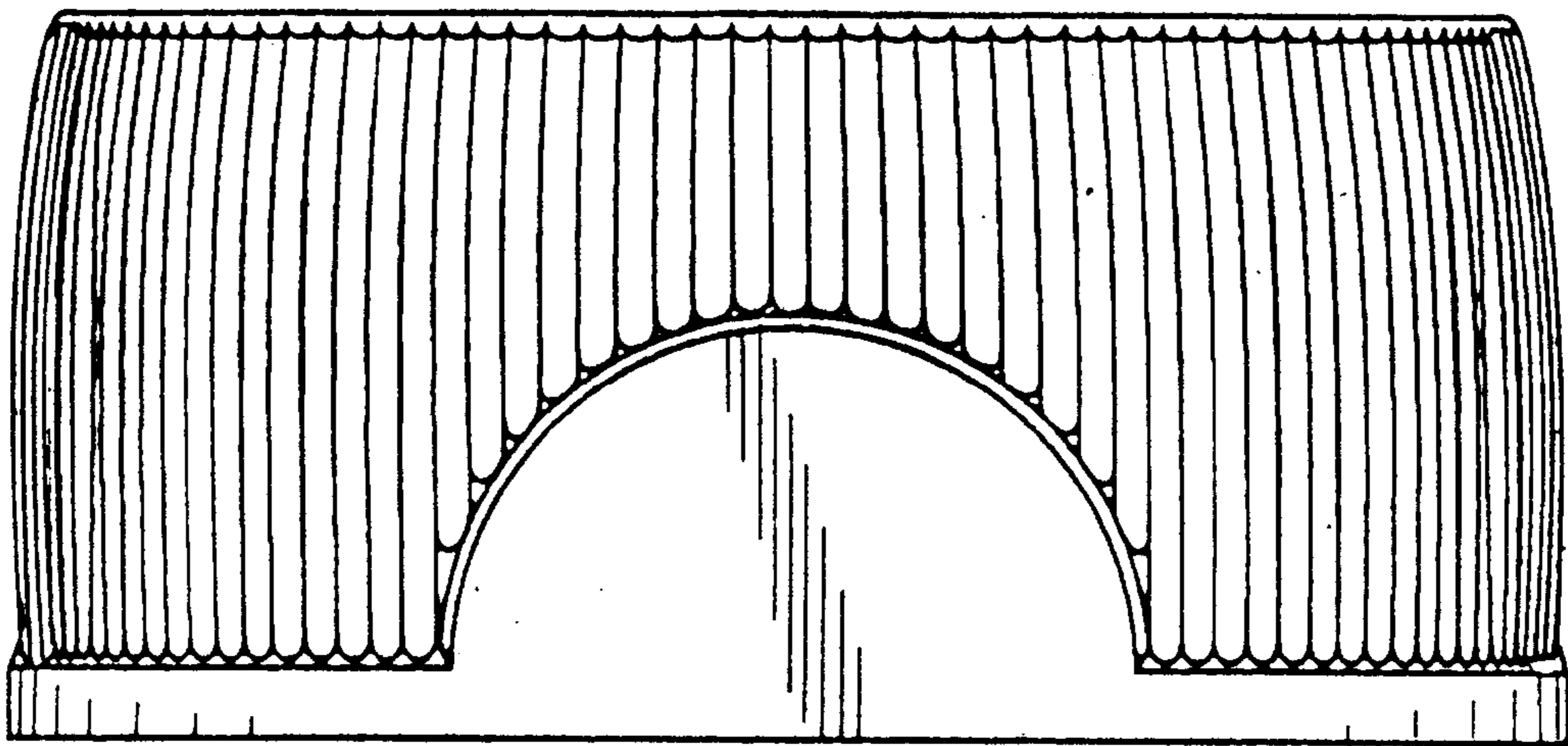


FIG. 7