



US00D476562S

(12) **United States Design Patent**
Vasudeva

(10) **Patent No.: US D476,562 S**

(45) **Date of Patent: ** Jul. 1, 2003**

(54) **TOOL CASE**

6,267,238 B1 * 7/2001 Miller et al. 206/349

(75) Inventor: **Kailash C. Vasudeva, Waterloo (CA)**

FOREIGN PATENT DOCUMENTS

(73) Assignee: **Maxtech Manufacturing Inc., Waterloo (CA)**

WO WO 01/24976 4/2001

(**) Term: **14 Years**

* cited by examiner

(21) Appl. No.: **29/146,427**

Primary Examiner—Louis S. Zarfes
Assistant Examiner—Monica A. Weingart
(74) *Attorney, Agent, or Firm*—R. Craig Armstrong;
Borden Ladner Gervais LLP

(22) Filed: **Aug. 10, 2001**

(57) **CLAIM**

(51) **LOC (7) Cl. 09-03**

I claim the ornamental design for tool case, as shown and described.

(52) **U.S. Cl. D9/415**

(58) **Field of Search** D3/315, 281, 282,
D3/284, 276, 294, 295, 905; D9/415; D6/560;
206/806, 234, 349, 372, 376, 378, 379,
461-471, 586; 220/326, 521, 528; 312/902

DESCRIPTION

(56) **References Cited**

U.S. PATENT DOCUMENTS

D247,459 S	*	3/1978	Tennison	D3/905 X
5,533,843 A	*	7/1996	Chung	206/349 X
5,816,401 A		10/1998	Vasudeva et al.		
D409,906 S	*	5/1999	Hu	D9/415
5,918,741 A		7/1999	Vasudeva		
D412,438 S	*	8/1999	Kopala, Jr.	D9/415
D413,260 S		8/1999	Vasudeva		
D426,957 S	*	6/2000	Wen	D3/905 X
D433,627 S		11/2000	Vasudeva		

FIG. 1 is front end view of the tool case showing my new design;
FIG. 2 is a top plan view thereof;
FIG. 3 is a right side view thereof;
FIG. 4 is a bottom plan view thereof;
FIG. 5 is a left side view thereof;
FIG. 6 is a rear end view thereof;
FIG. 7 is a top plan view in the open position thereof; and,
FIG. 8 is a front end view in the open position thereof.
The broken line showing of screwdrivers, in FIG. 2, is for illustrative purposes only and forms no part of the claimed design.

1 Claim, 3 Drawing Sheets

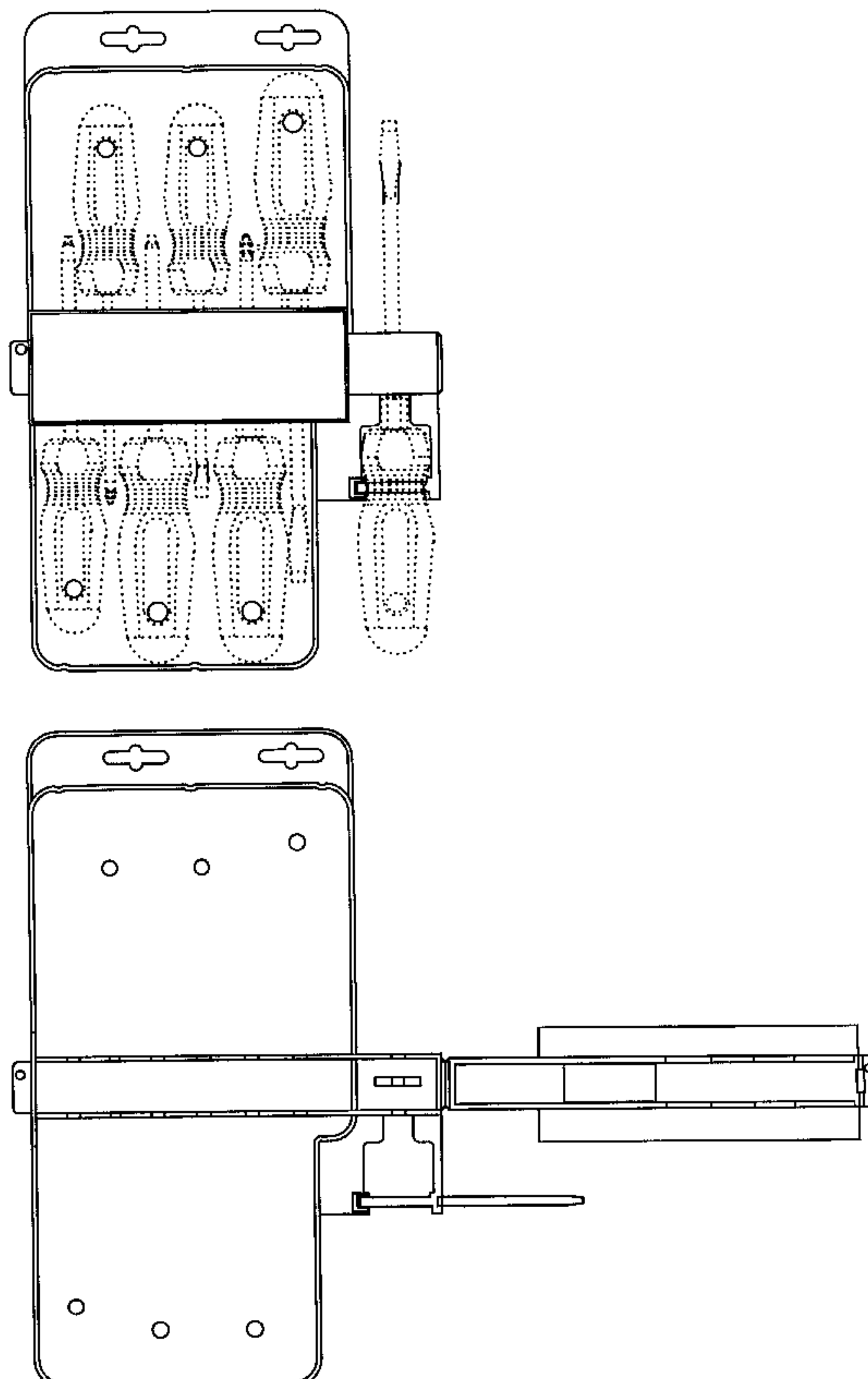




FIG. 1

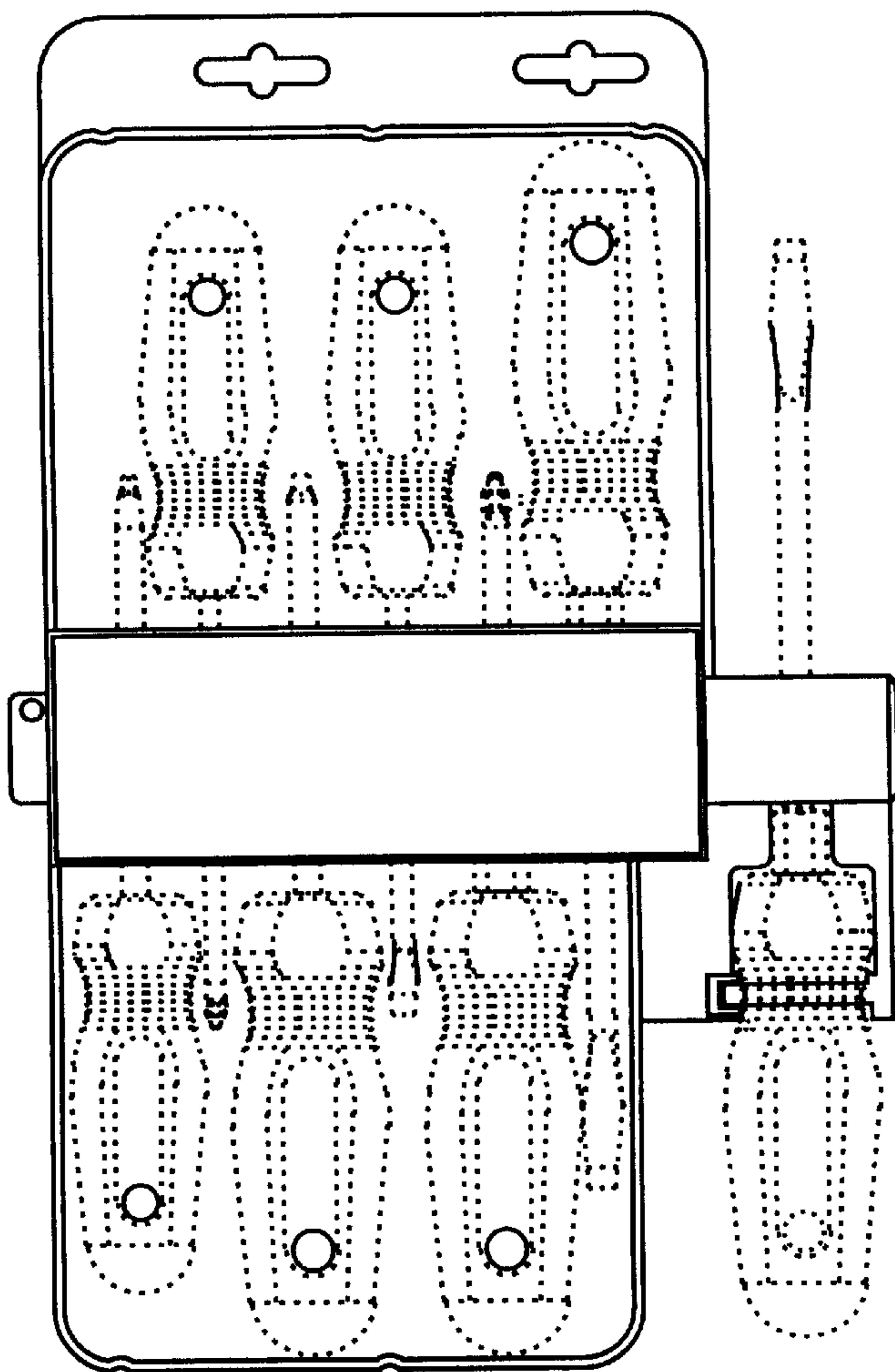


FIG. 2

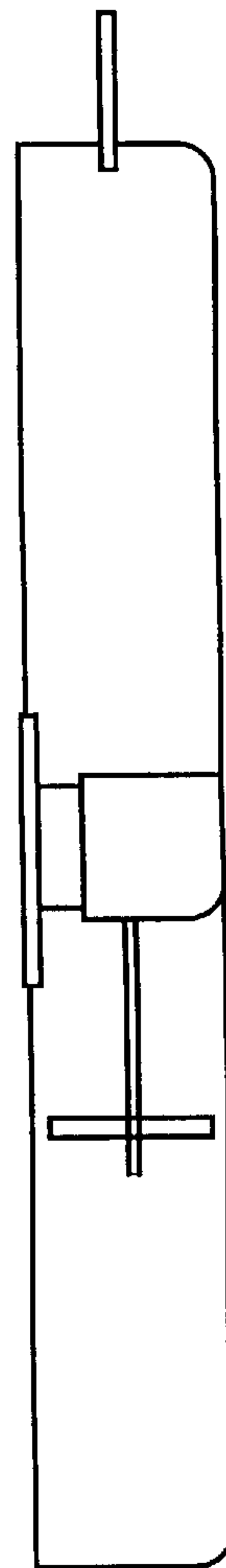


FIG. 3

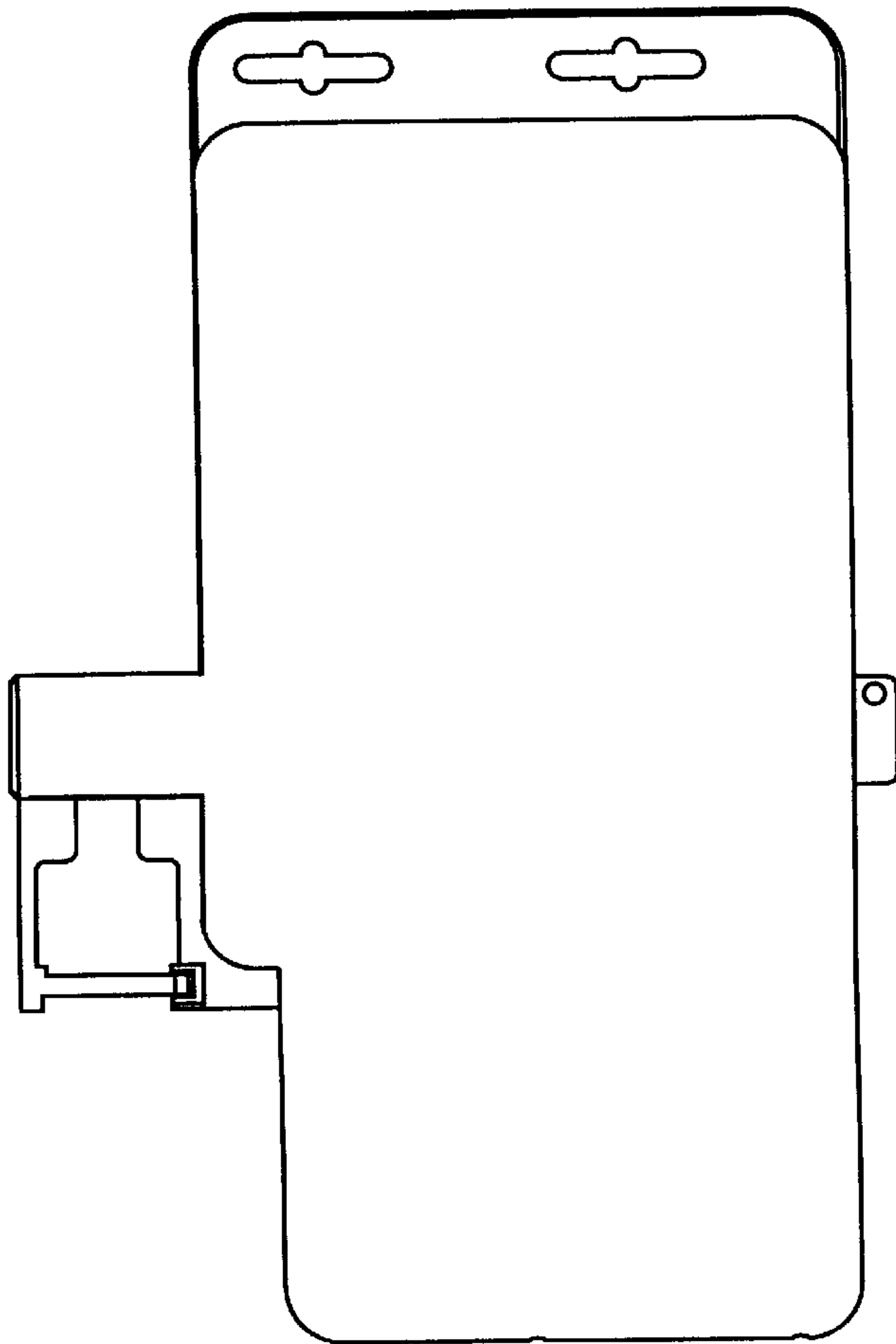


FIG. 4

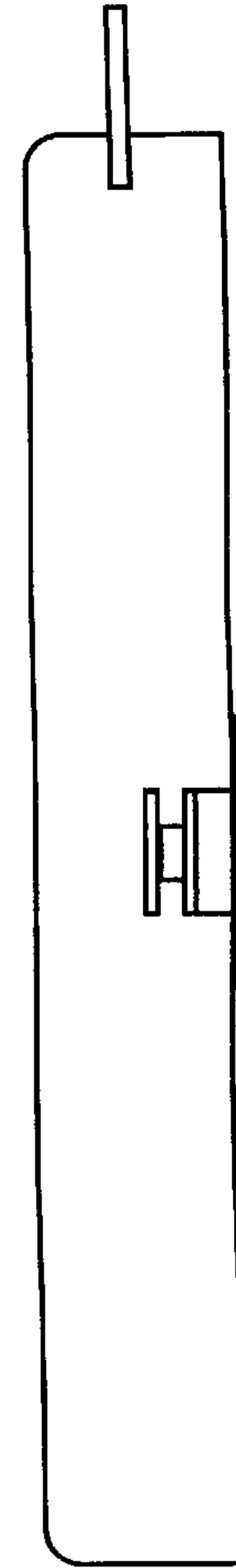


FIG. 5



FIG. 6

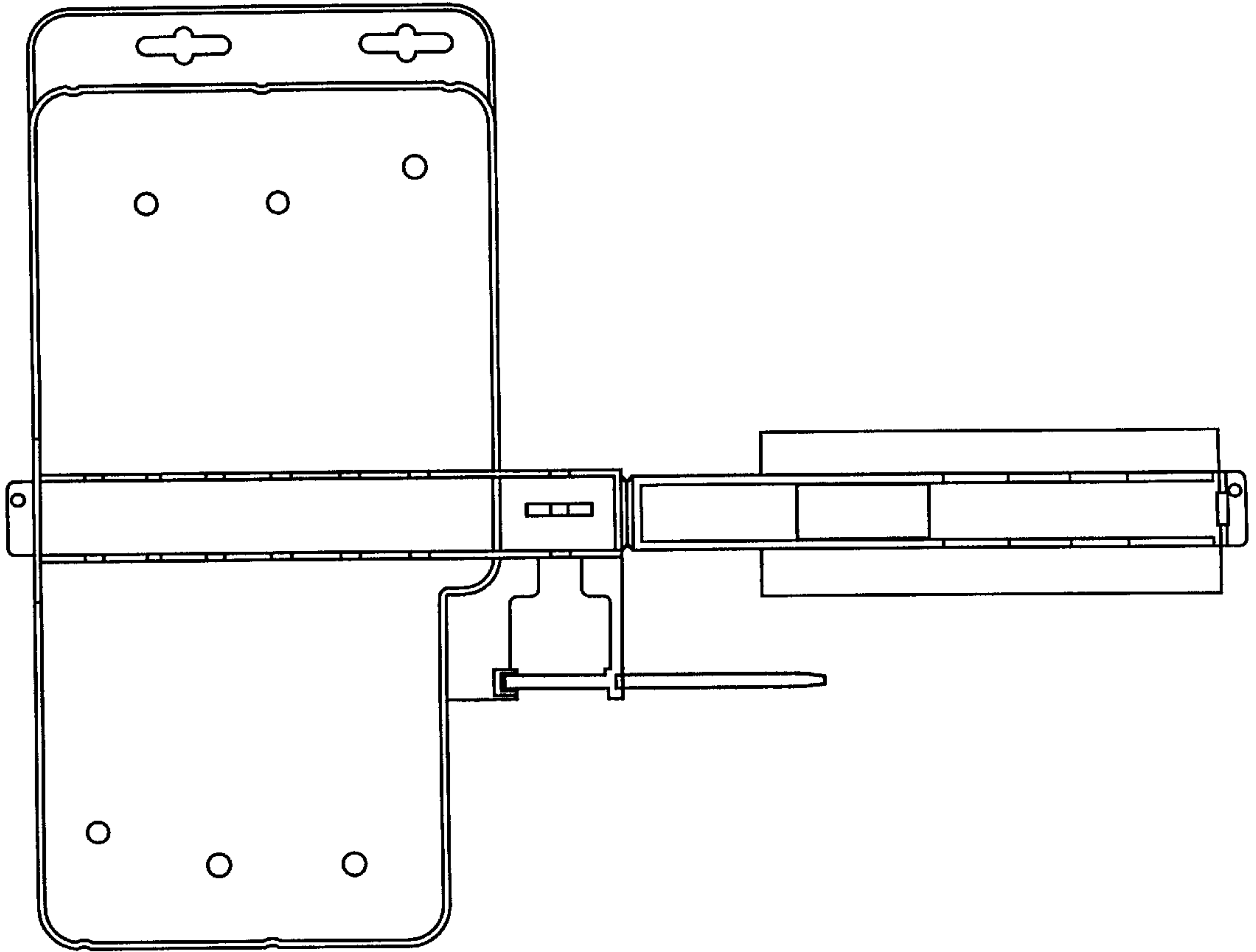


FIG. 7



FIG. 8