



US00D476559S

(12) **United States Design Patent**
Norris et al.

(10) **Patent No.:** **US D476,559 S**

(45) **Date of Patent:** **** Jul. 1, 2003**

(54) **CLOSURE**

(75) Inventors: **Joseph T. Norris**, West Windsor, NJ (US); **John C. Crawford**, Mahopac, NY (US)

(73) Assignee: **Colgate Palmolive Co.**, New York, NY (US)

(**) Term: **14 Years**

(21) Appl. No.: **29/150,323**

(22) Filed: **Nov. 21, 2001**

(51) **LOC (7) Cl.** **09-01**

(52) **U.S. Cl.** **D9/302**

(58) **Field of Search** D9/300, 302, 306, D9/521, 539; 222/94, 145.3, 556, 565, 546, 480, 107, 507; 215/236, 321, 216, 307

(56) **References Cited**

U.S. PATENT DOCUMENTS

3,294,293	A	*	12/1966	Johns	222/507
5,213,235	A	*	5/1993	Miranda	222/107
5,702,033	A	*	12/1997	Beaver	222/94
6,039,224	A	*	3/2000	Dallas, Jr. et al.	222/565
6,116,477	A	*	9/2000	Kreiseder et al.	222/556
D459,212	S	*	6/2002	Gobe	D9/302

* cited by examiner

Primary Examiner—Paula A. Mortimer

(74) *Attorney, Agent, or Firm*—Michael J. McGreal

(57) **CLAIM**

The ornamental design for a closure, as shown and described.

DESCRIPTION

FIG. 1 is a perspective view of the closure of our design with the container shown in broken lines;

FIG. 2 is a front elevation view thereof;

FIG. 3 is a rear elevation view thereof;

FIG. 4 is a left side elevation view thereof;

FIG. 5 of a right side elevation view thereof;

FIG. 6 is a top plan view thereof;

FIG. 7 is a perspective view of the closure of FIG. 1 with the closure open;

FIG. 8 is a front elevation view thereof;

FIG. 9 is a rear elevation view thereof;

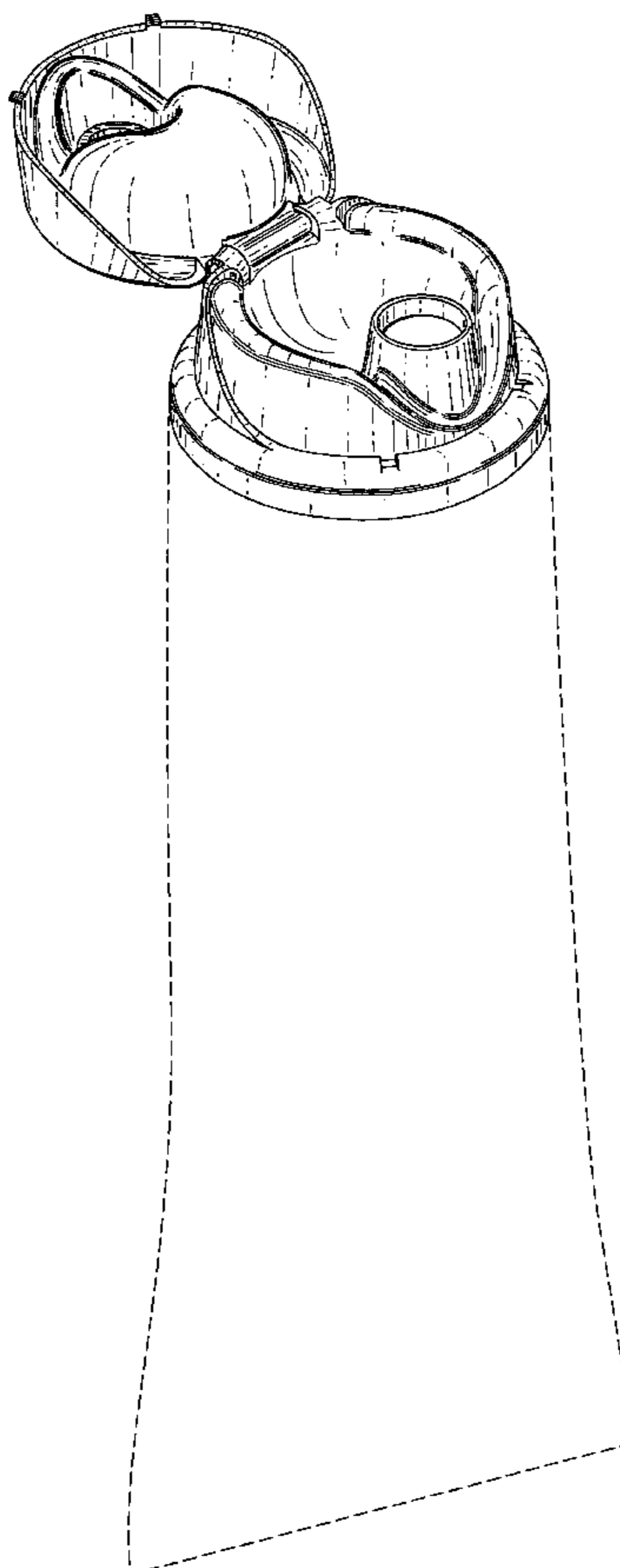
FIG. 10 is a left side elevation view thereof;

FIG. 11 of a right side elevation view thereof; and,

FIG. 12 is a top plan view thereof.

The broken line showing of a container is for illustrative purposes only and forms no part of the claimed design.

1 Claim, 8 Drawing Sheets



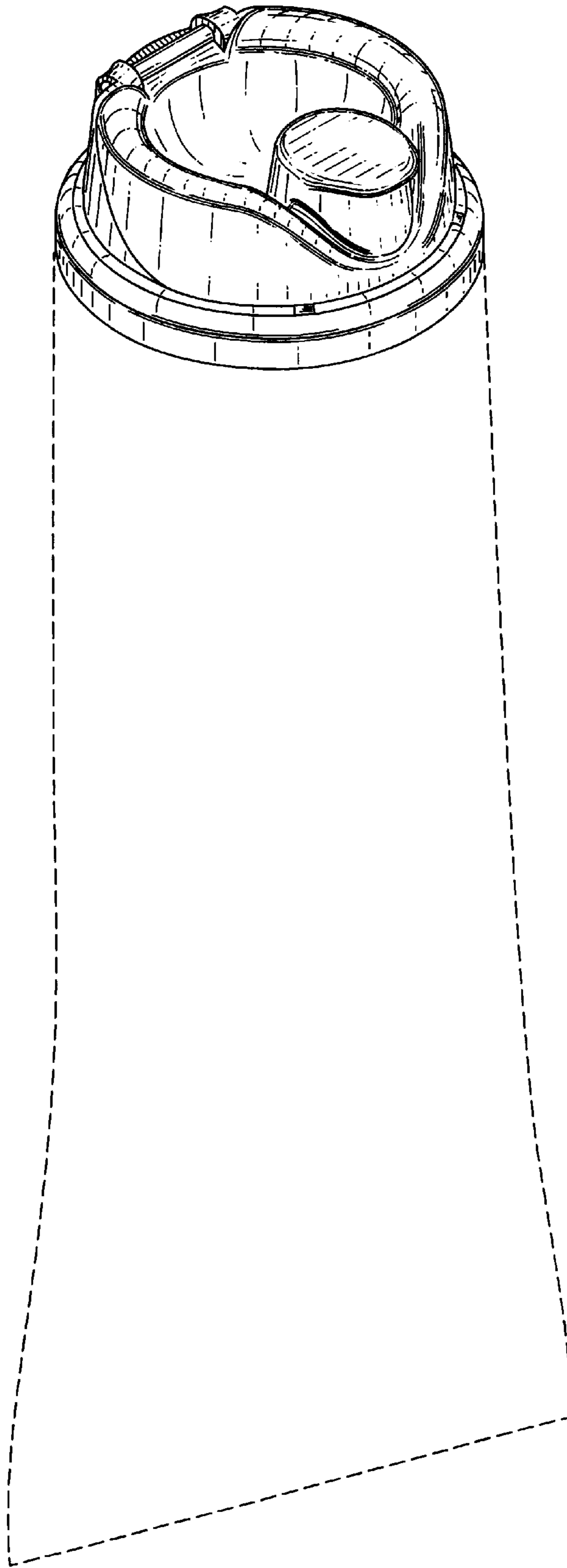


FIG. 1

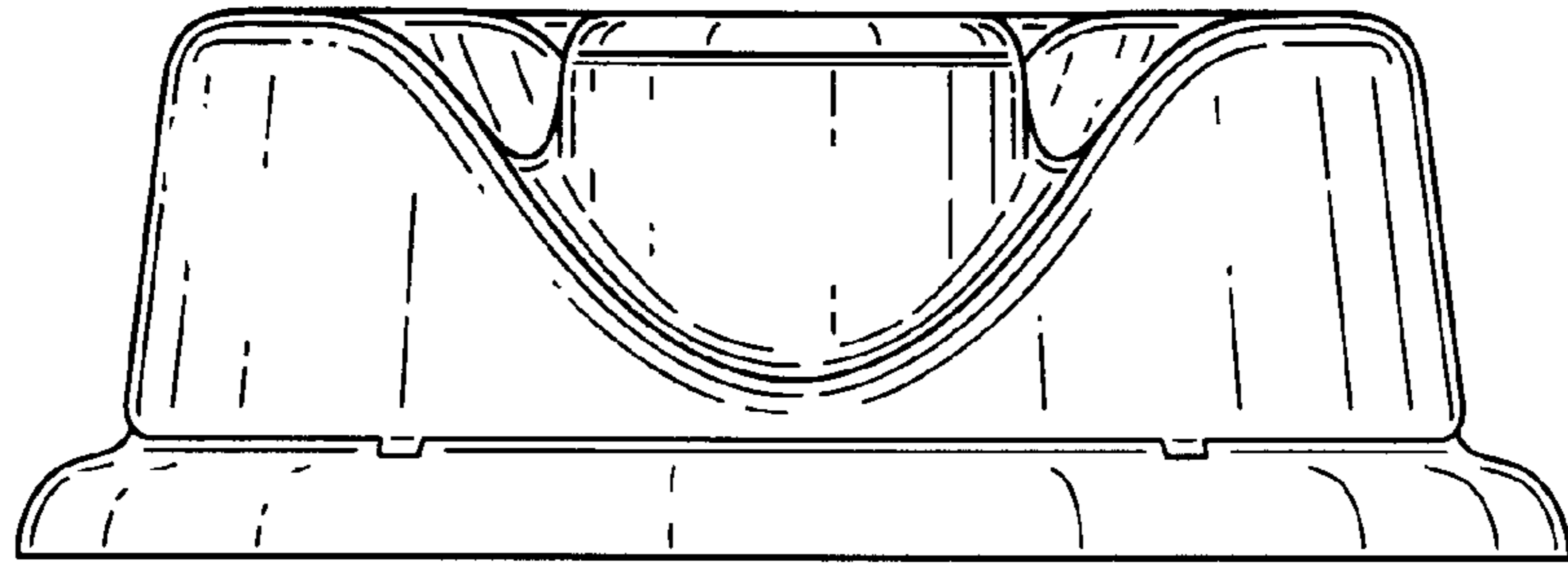


FIG. 2

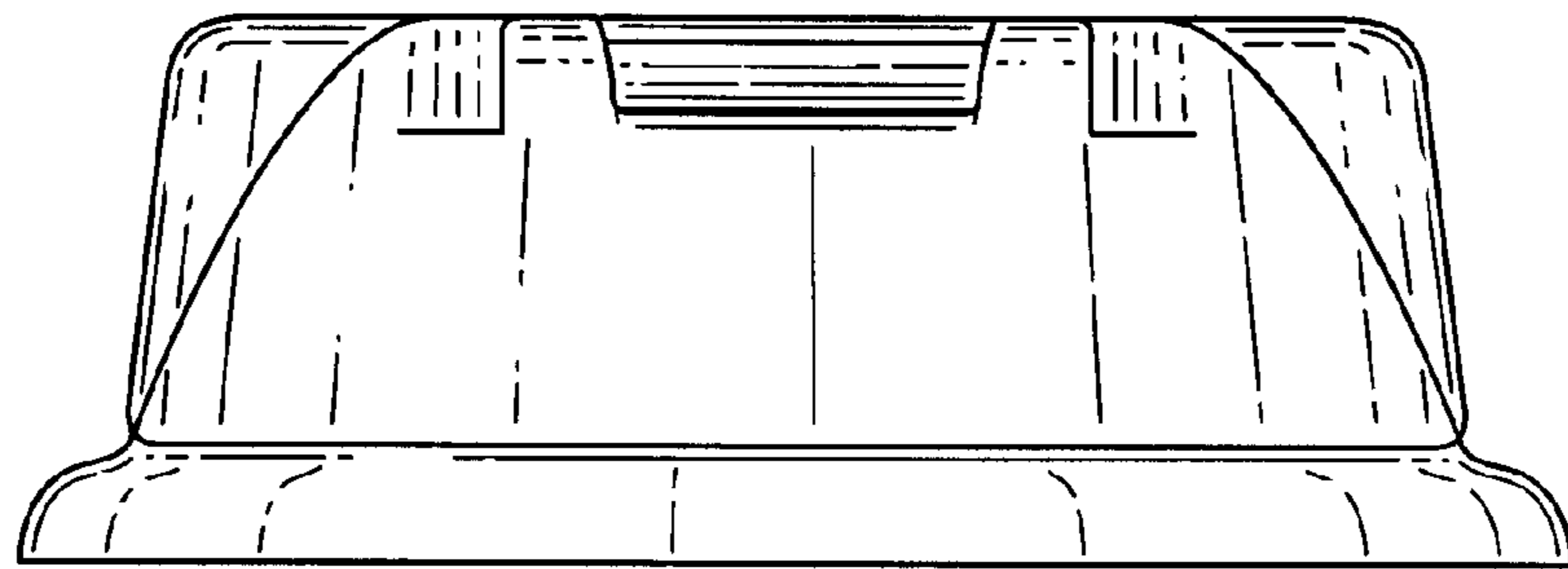


FIG. 3

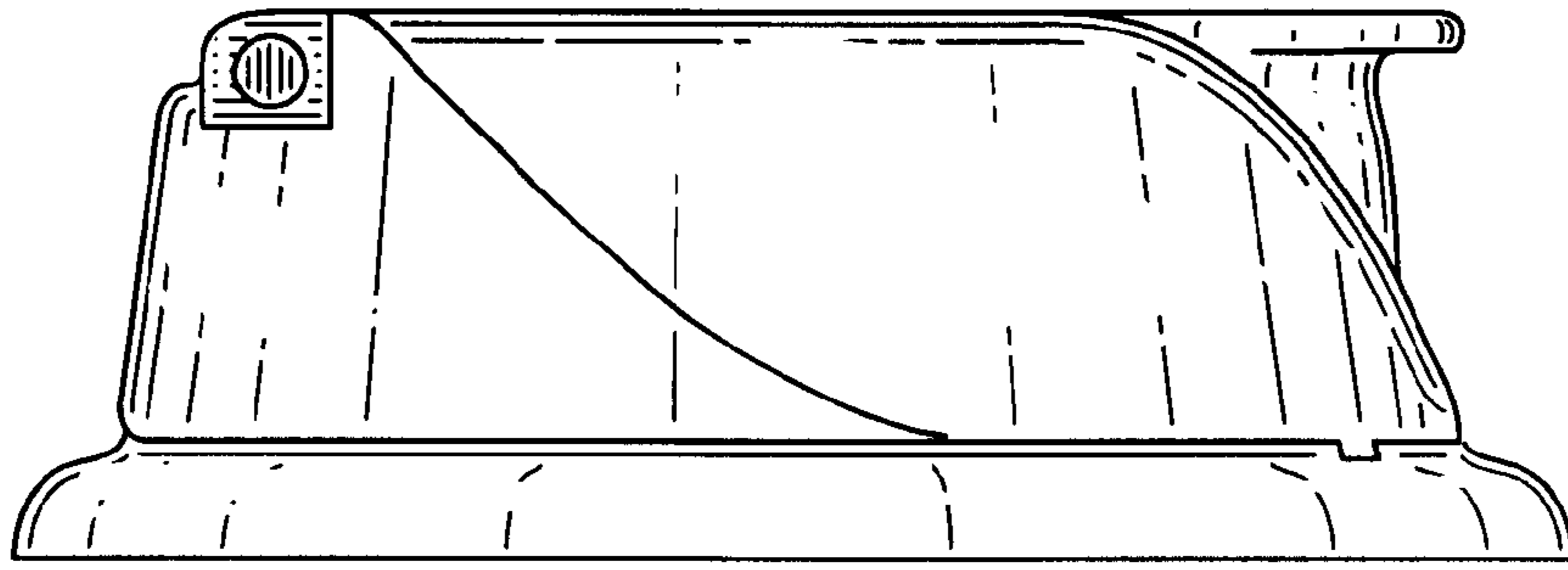


FIG. 4

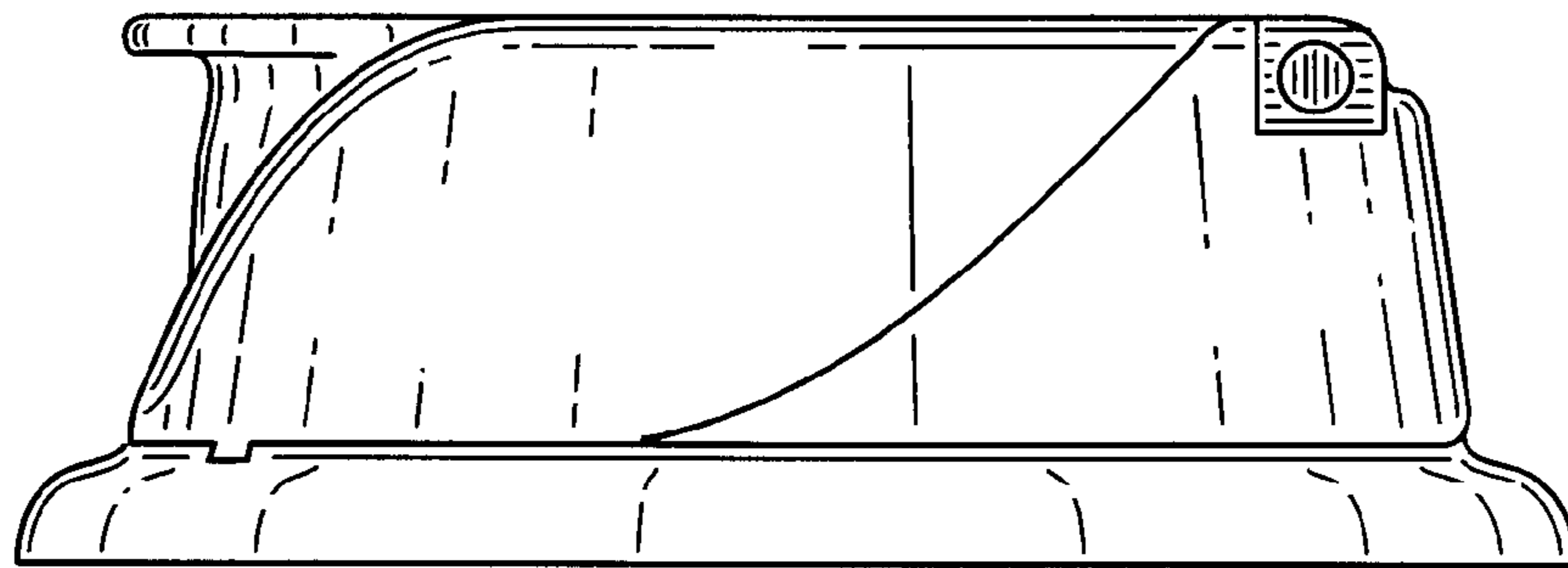


FIG. 5

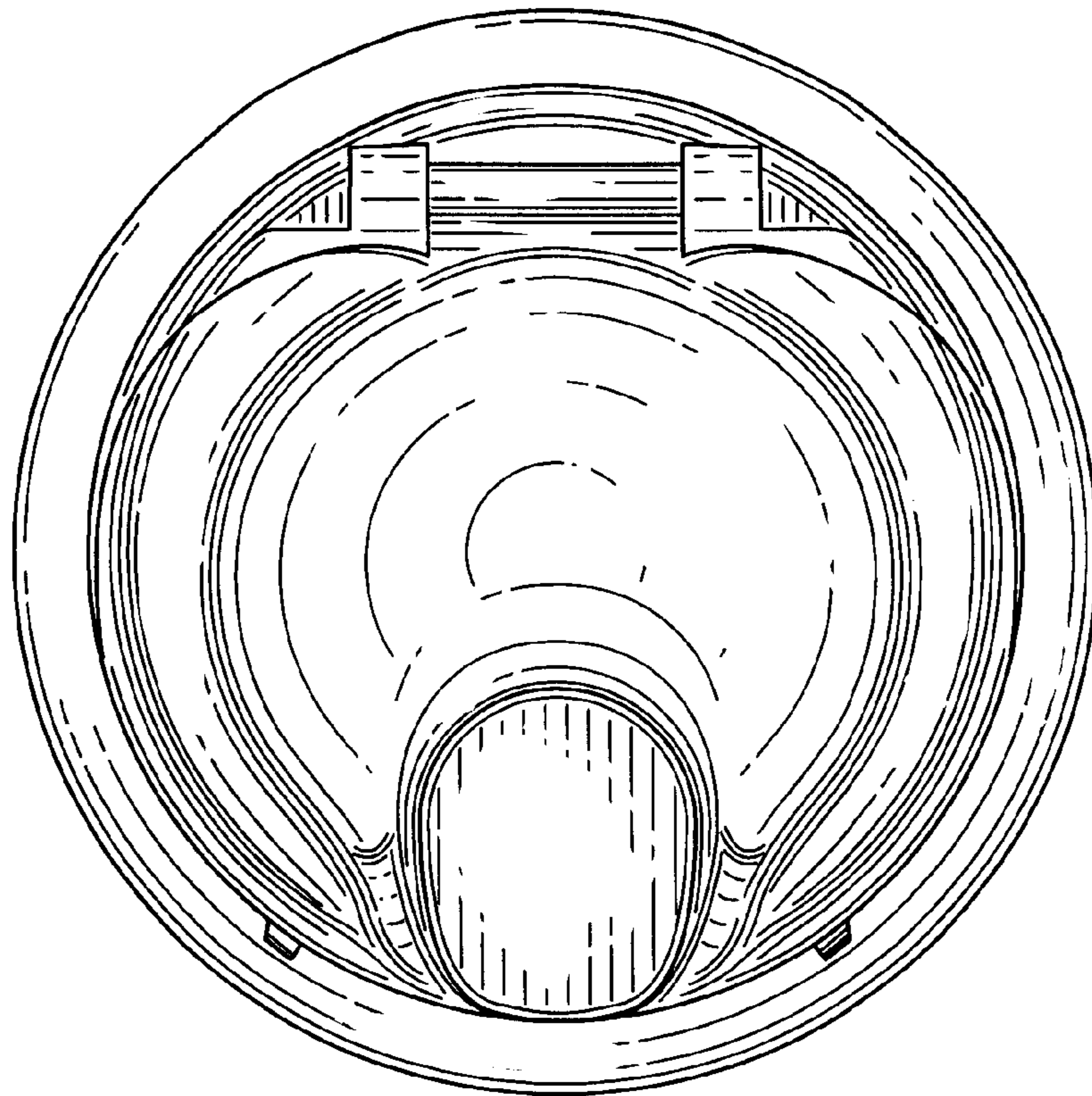


FIG. 6

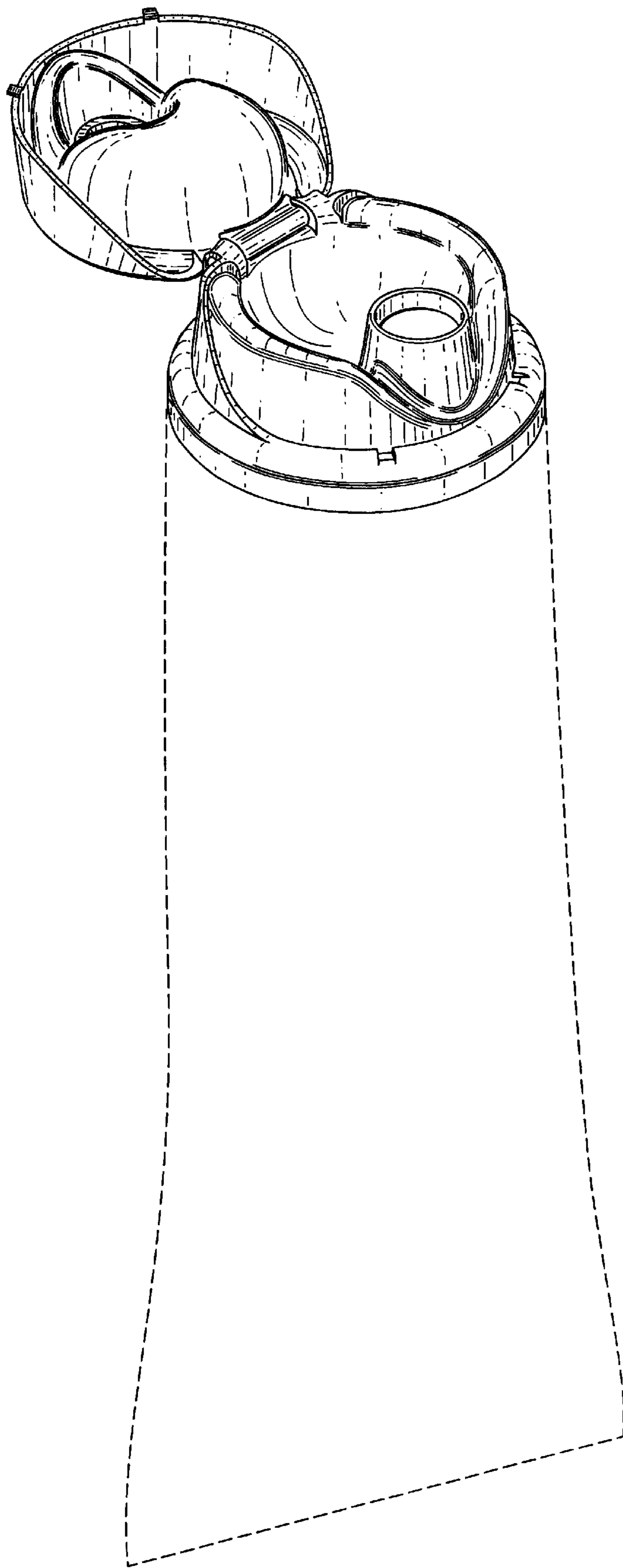


FIG. 7

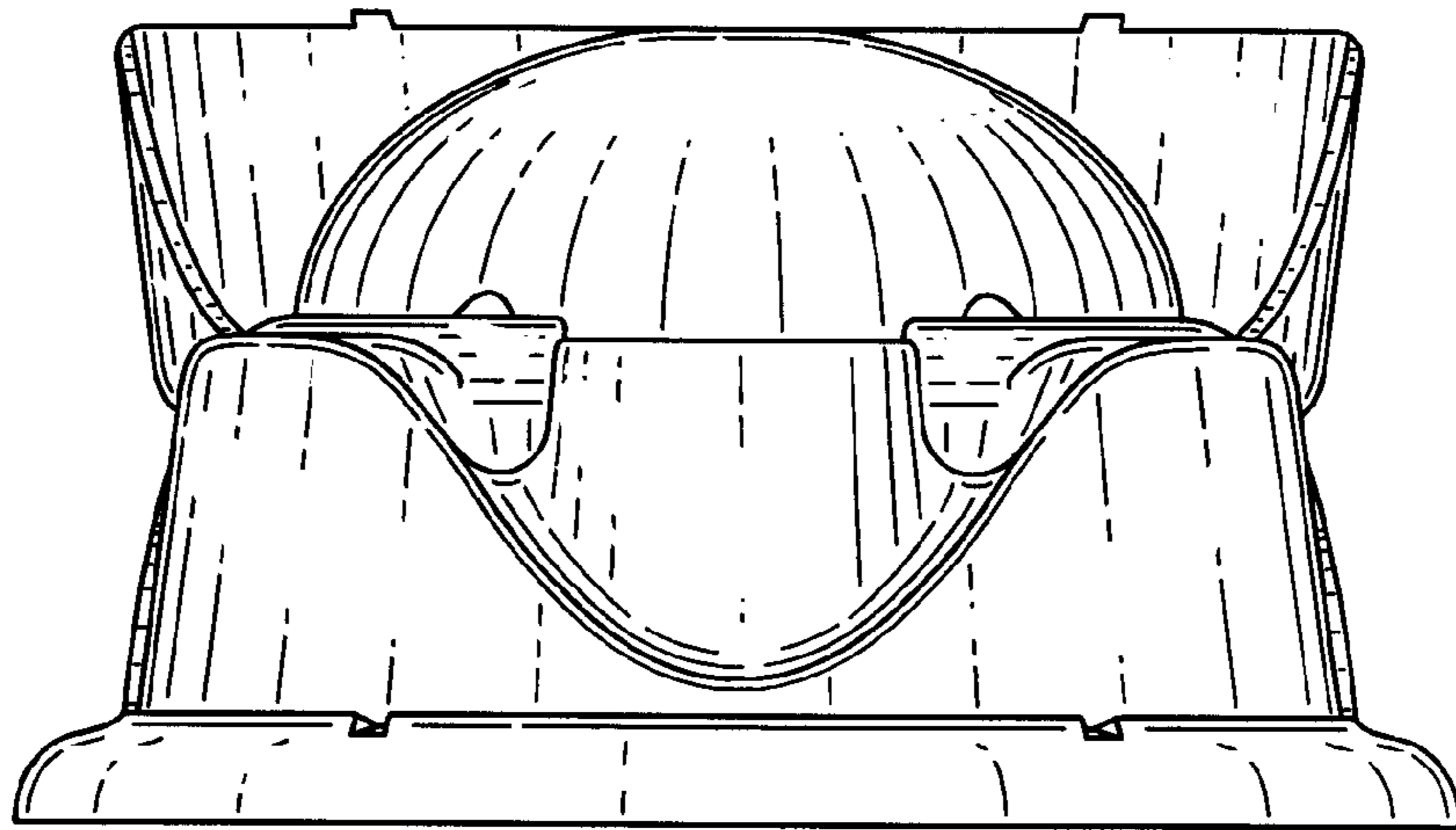


FIG. 8

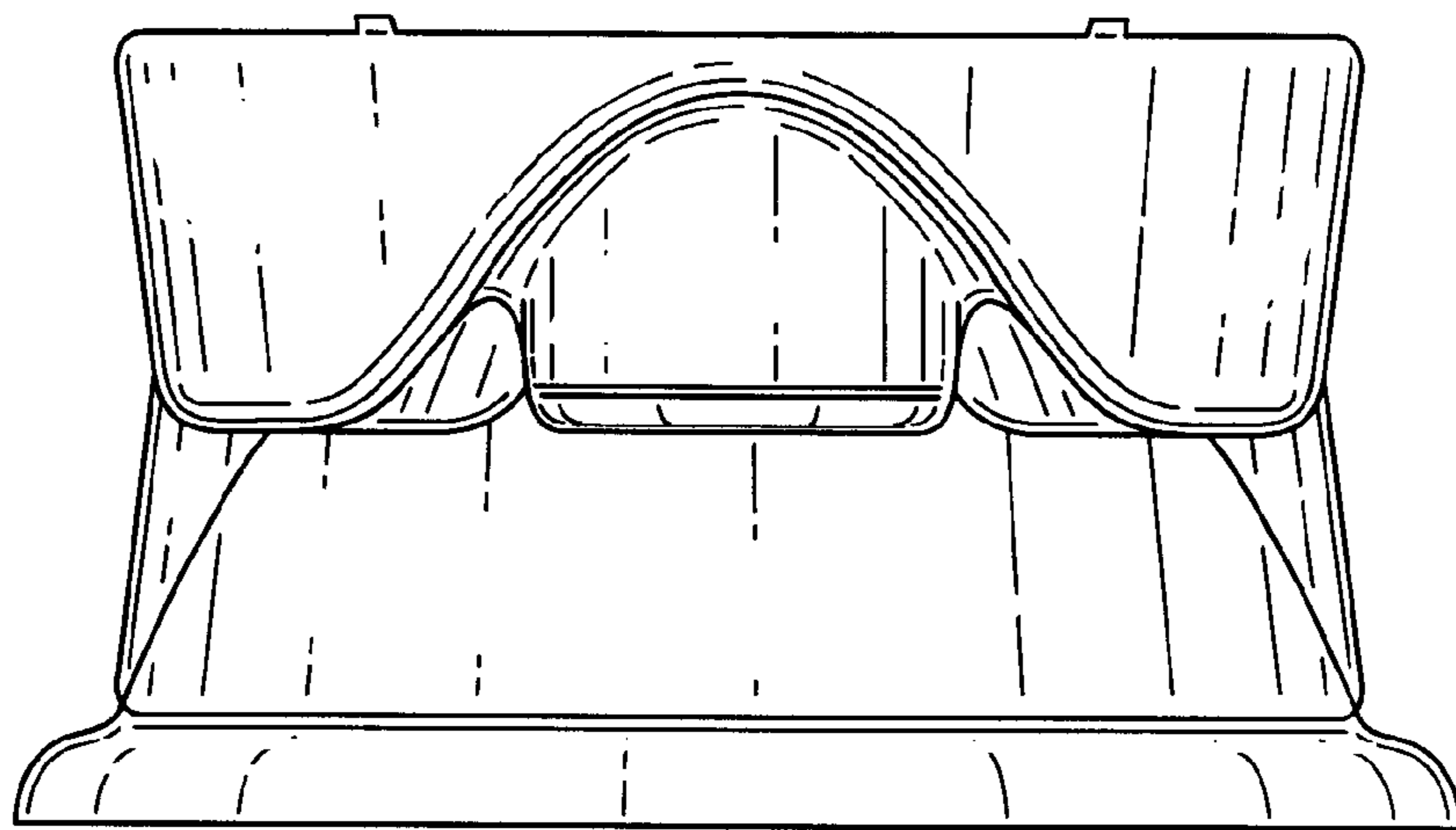


FIG. 9

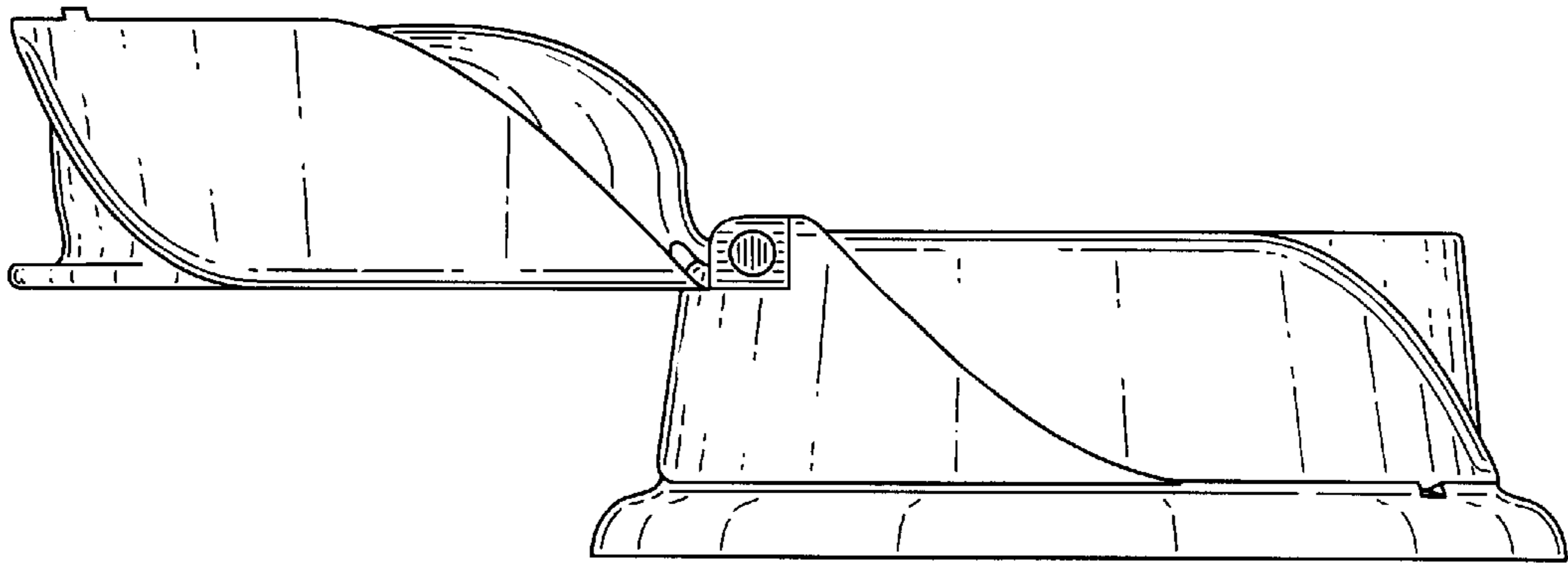


FIG. 10

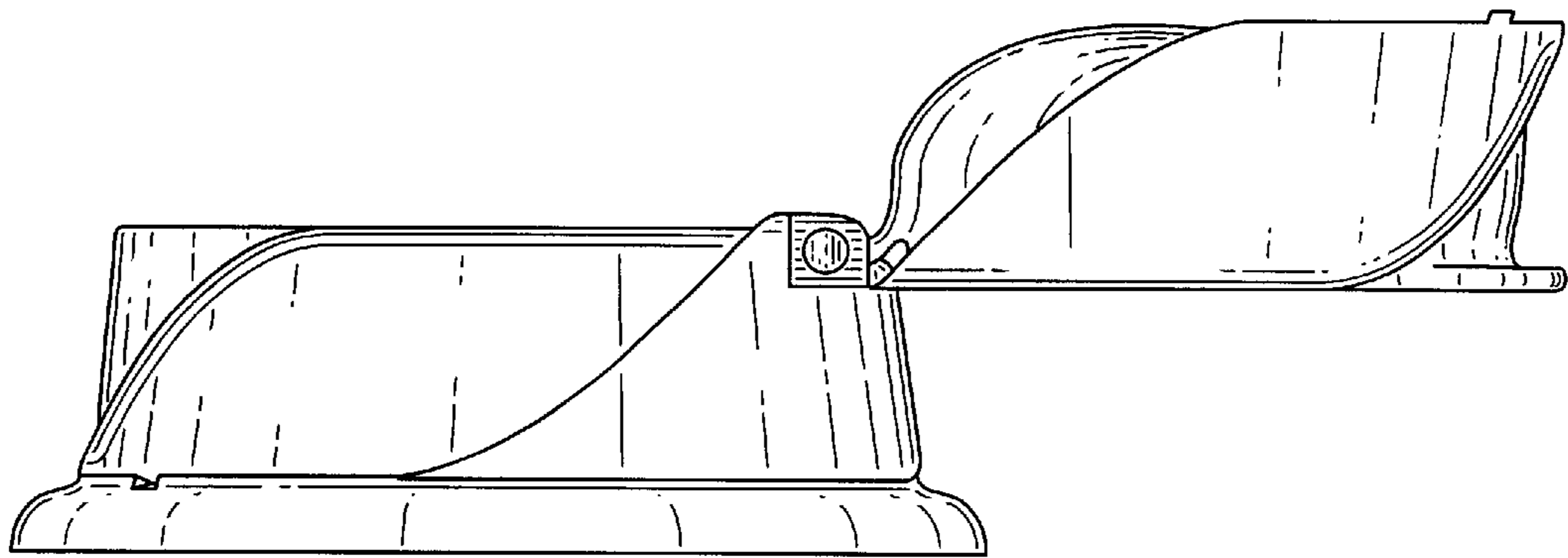


FIG. 11

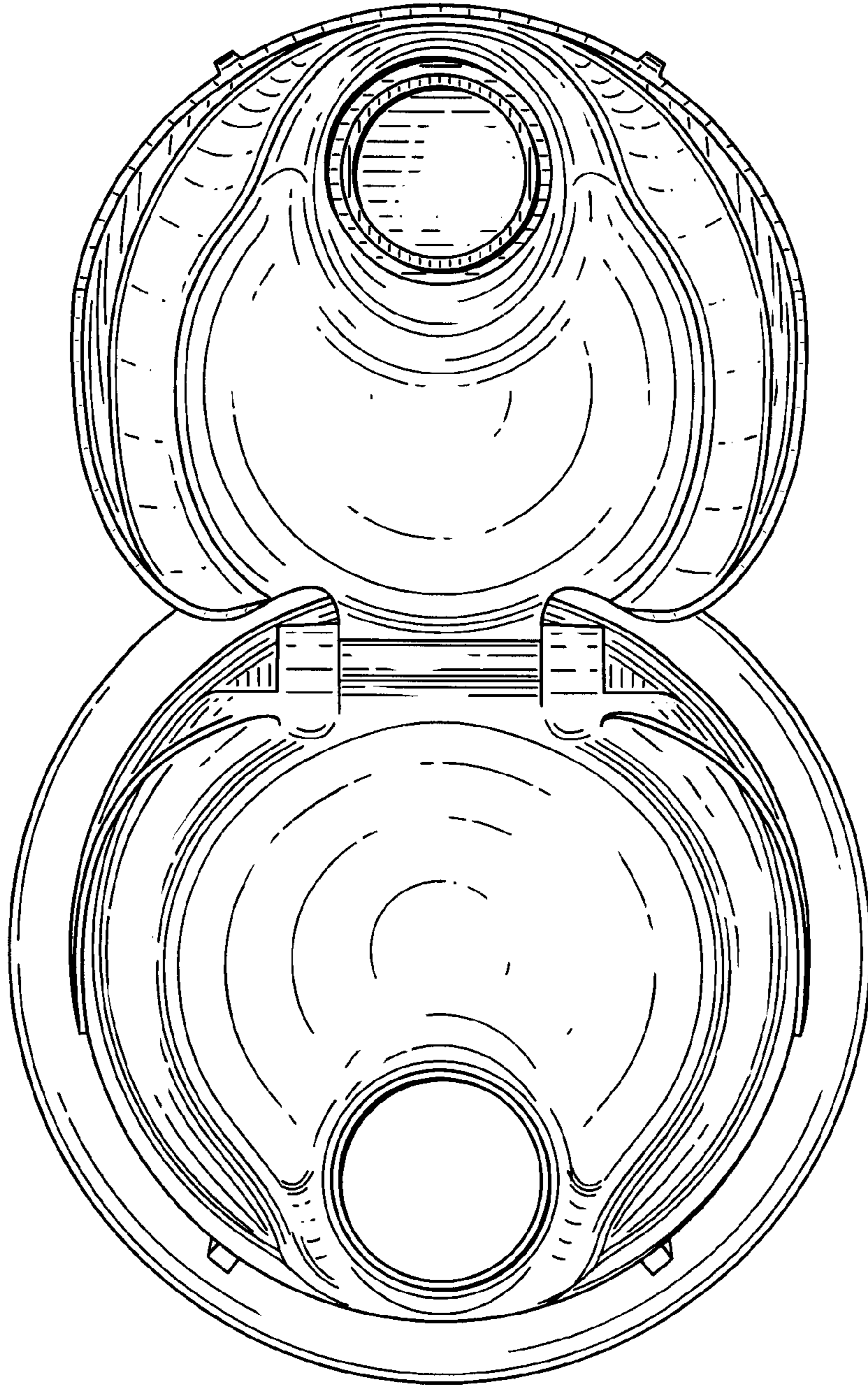


FIG. 12