



US00D476557S

(12) **United States Design Patent**
Vito

(10) **Patent No.:** **US D476,557 S**

(45) **Date of Patent:** **** Jul. 1, 2003**

(54) **LINK FOR A SECURITY CHAIN**

(76) Inventor: **Robert A. Vito**, 1434 Sugartown Rd.,
Berwyn, PA (US) 19312

(**) Term: **14 Years**

(21) Appl. No.: **29/170,606**

(22) Filed: **Nov. 8, 2002**

RE28,746 E	*	3/1976	Bruce	59/78
3,996,737 A		12/1976	Burstall	
4,068,467 A		1/1978	Schreyer et al.	
D254,126 S		2/1980	Beniya	
4,497,169 A		2/1985	Millington	
D282,055 S		1/1986	Brinkers	
D308,937 S	*	7/1990	Rybak	D8/499
D315,936 S	*	4/1991	Wilson et al.	D8/499 X
D343,349 S	*	1/1994	Byrd, Jr.	D8/399 X

(List continued on next page.)

Related U.S. Application Data

(62) Division of application No. 10/288,078, filed on Nov. 5,
2002.

(51) **LOC (7) Cl.** **08-99**

(52) **U.S. Cl.** **D8/499**

(58) **Field of Search** D8/499, 17; D11/13,
D11/79-80, 93; 70/14, 18, 58; 59/78, 80,
83-85, 90, 93; 280/457, 480, 507; 474/209,
218-220, 226-228, 230-236

References Cited

U.S. PATENT DOCUMENTS

105,004 A	7/1870	Short	
D5,544 S	2/1872	Draper	
145,642 A	12/1873	Frontier et al.	
189,797 A	4/1877	Seery	
193,543 A	7/1877	Nortemann	
D11,004 S	1/1879	Lederer	
214,869 A	4/1879	Barrows	
D11,790 S	5/1880	Seery	
230,531 A	7/1880	Davidson	
324,281 A	8/1885	Veit	
904,846 A	* 11/1908	Costello	59/83
1,114,289 A	10/1914	Rittenhouse	
D61,359 S	8/1922	Benjamin	
1,810,978 A	6/1931	Moore	
D98,621 S	2/1936	Ritter	
2,192,946 A	3/1940	Towner	
2,242,783 A	5/1941	Grau	
3,028,725 A	4/1962	Stevens	
3,461,666 A	8/1969	Burstall	
3,545,200 A	12/1970	Fagan	

Primary Examiner—Brian N. Vinson

(74) *Attorney, Agent, or Firm*—Volpe and Koenig, P.C.

(57) **CLAIM**

I claim the ornamental design for a link for a security chain,
as shown and described.

DESCRIPTION

FIG. 1 is a perspective view of a link for a security chain
according to a first preferred embodiment of my new design;
FIG. 2 is a front elevational view of the link for a security
chain of FIG. 1, the rear elevational view being a mirror
image thereof;

FIG. 3 is a top plan view of the link for a security chain of
FIG. 1, the bottom plan view being a mirror image thereof;
FIG. 4 is a left side elevational view of the link for a security
chain of FIG. 1, the right side elevational view being a
mirror image thereof;

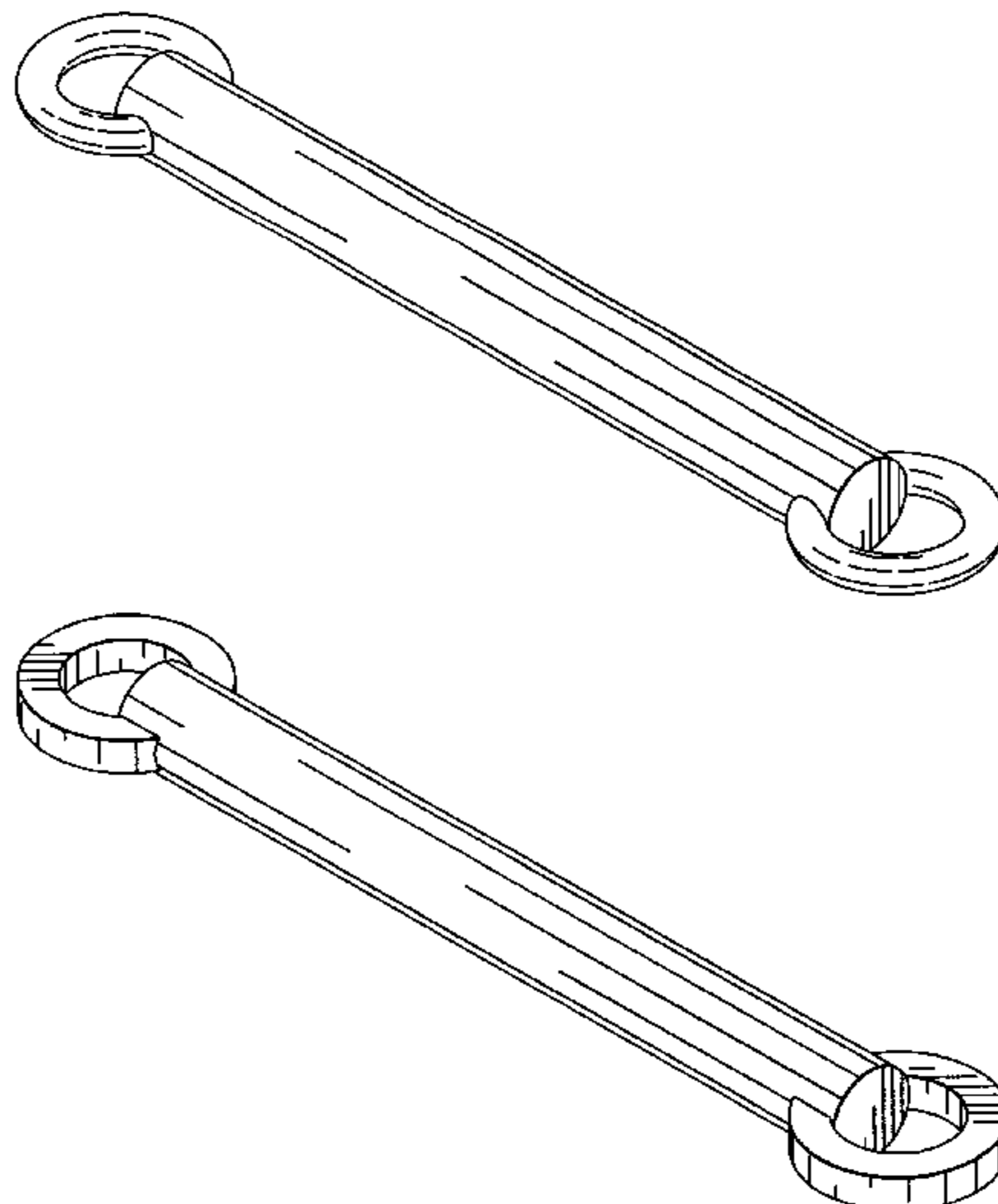
FIG. 5 is a perspective view of a link for a security chain
according to a second preferred embodiment of my new
design;

FIG. 6 is a front elevational view of the link for a security
chain of FIG. 5, the rear elevational view being a mirror
image thereof;

FIG. 7 is a top plan view of the link for a security chain of
FIG. 5, the bottom plan view being a mirror image thereof;
and,

FIG. 8 is a left side elevational view of the link for a security
chain of FIG. 5, the right side elevational view being a
mirror image thereof.

1 Claim, 2 Drawing Sheets



US D476,557 S

Page 2

U.S. PATENT DOCUMENTS

5,308,292	A	*	5/1994	Mistry	59/84	X	6,170,248	B1	1/2001	Ianello et al.	
5,331,802	A	*	7/1994	Varley	59/85		6,243,929	B1	* 6/2001	Curwood 59/85 X
D361,261	S	*	8/1995	Amburgey et al.	D8/499		6,256,974	B1	* 7/2001	Shanks, Sr. 59/85
5,709,075	A	*	1/1998	Wu	59/78	X	6,263,658	B1	* 7/2001	Rosenwasser et al. 59/80
5,732,967	A		3/1998	Behling								

* cited by examiner

FIG. 1

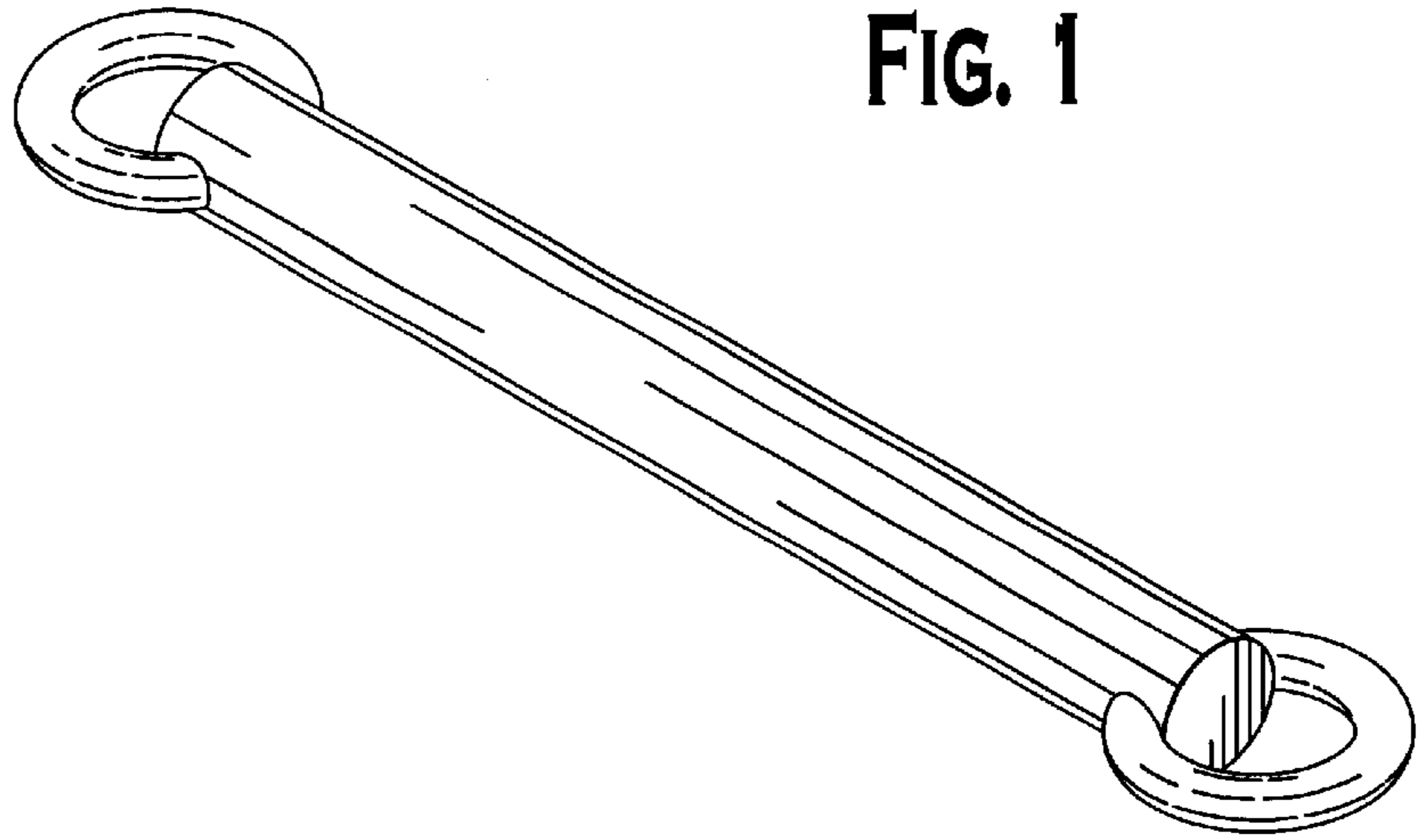


FIG. 2



FIG. 3

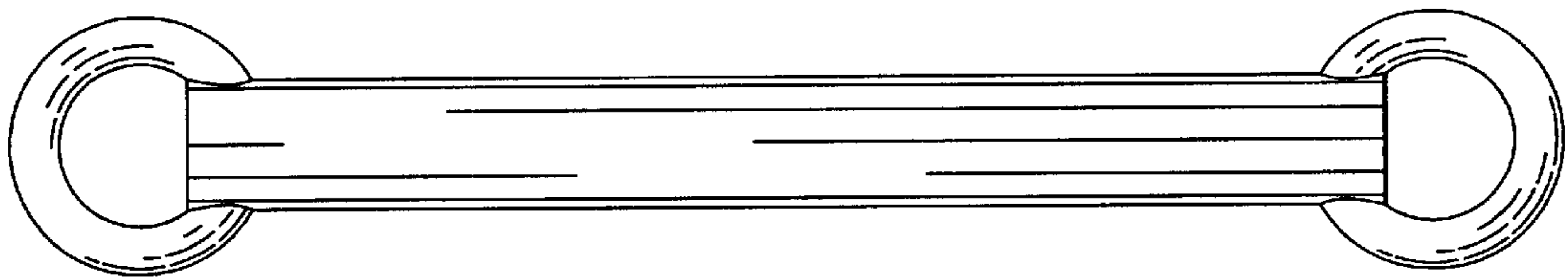
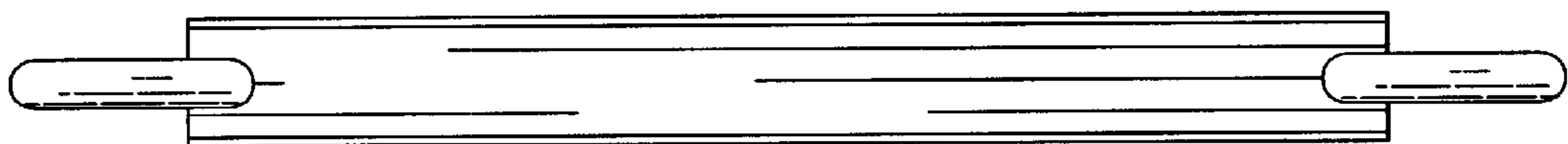


FIG. 4



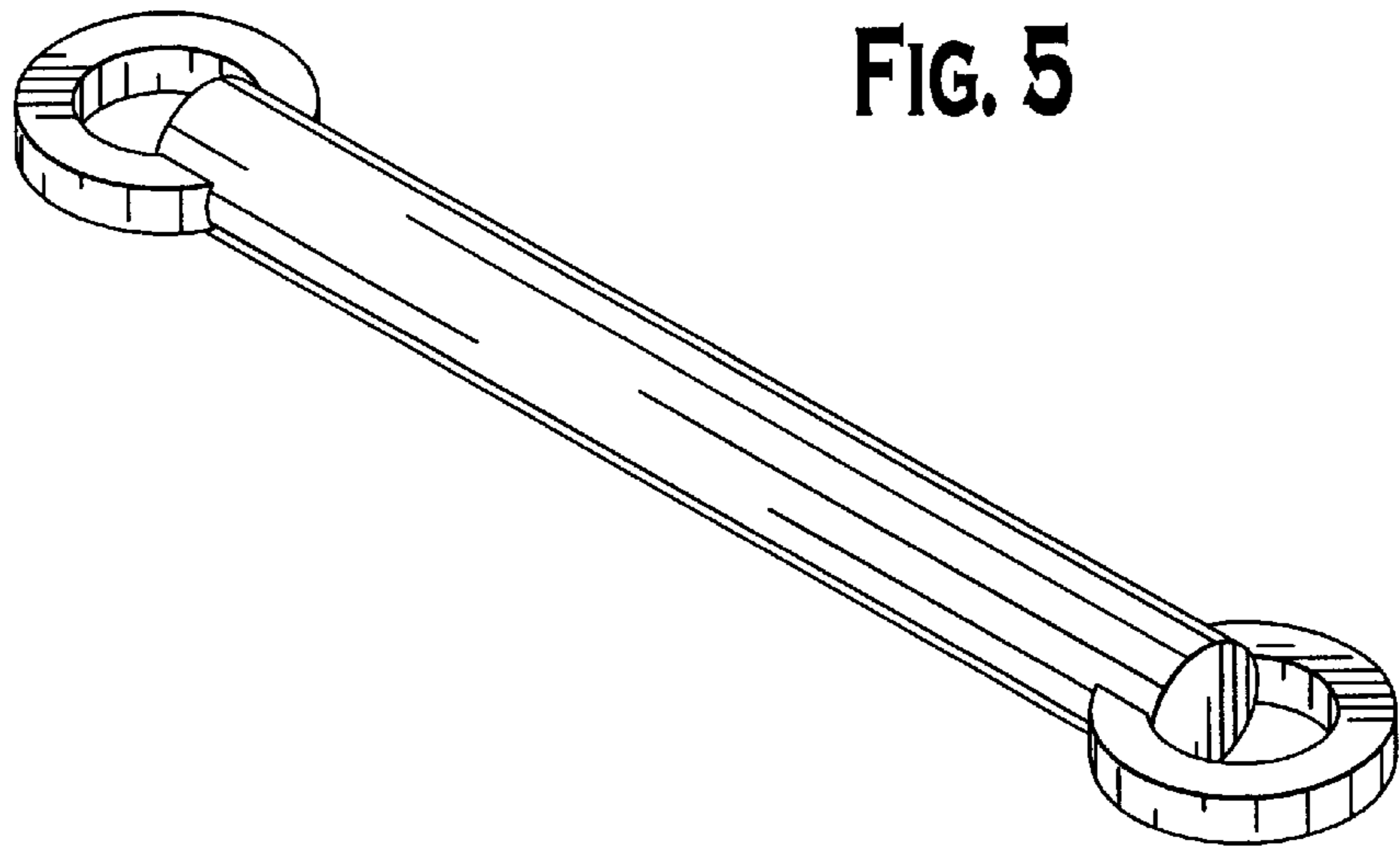


FIG. 5

FIG. 6

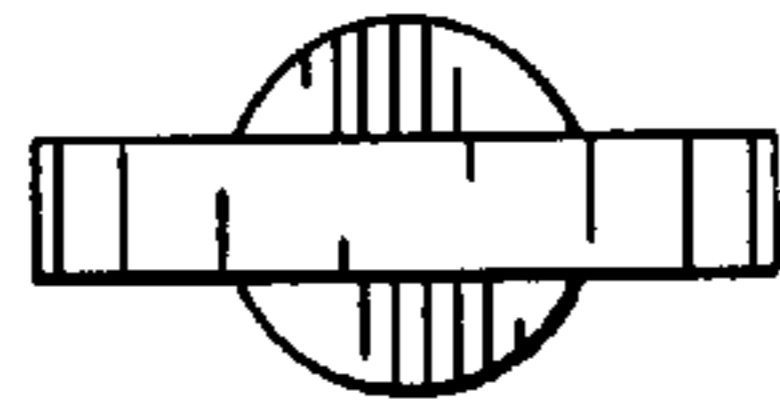


FIG. 7

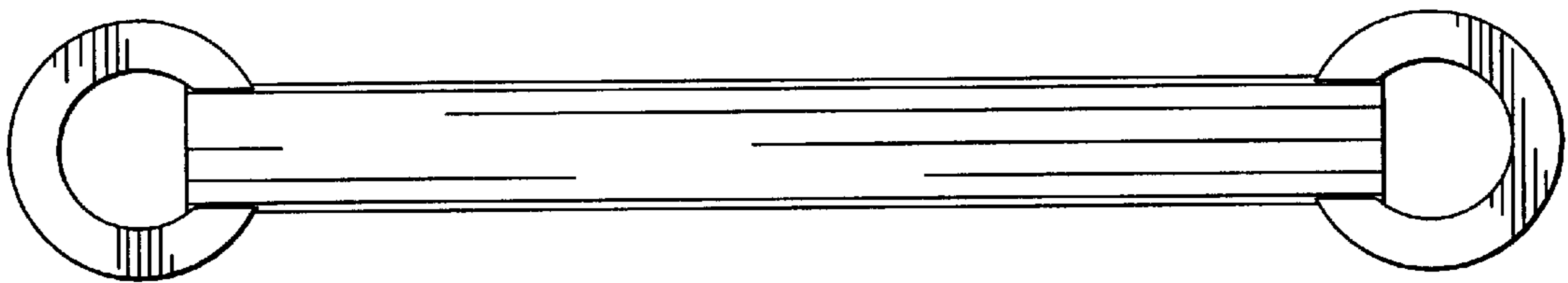


FIG. 8

