



US00D476556S

(12) **United States Design Patent**
Martin et al.

(10) **Patent No.:** **US D476,556 S**

(45) **Date of Patent:** **** Jul. 1, 2003**

(54) **BEACH TOWEL GRIP**

(76) Inventors: **Michael Martin**, 59 Herbert Rd., Braintree, MA (US) 02184; **Frankie M. Martin**, 59 Herbert Rd., Braintree, MA (US) 02184

(**) Term: **14 Years**

(21) Appl. No.: **29/172,263**

(22) Filed: **Dec. 9, 2002**

(51) **LOC (7) Cl.** **08-08**

(52) **U.S. Cl.** **D8/395**

(58) **Field of Search** D8/388, 391, 393-395; D21/796, 840; D26/67; 248/87, 156, 499, 545; 135/118; 411/451.3, 508

(56) **References Cited**

U.S. PATENT DOCUMENTS

| | | | | | | |
|-----------|---|---|---------|----------------|-------|---------|
| 427,816 | A | * | 5/1890 | Wolf | | 295/39 |
| 2,939,468 | A | * | 6/1960 | Boyce | | 135/118 |
| 3,768,126 | A | | 10/1973 | Posdal | | |
| D275,555 | S | * | 9/1984 | Giggey | | D8/388 |
| D280,170 | S | | 8/1985 | Short | | |
| 4,858,285 | A | | 8/1989 | Dala et al. | | |
| D309,095 | S | * | 7/1990 | Holley | | D8/395 |
| D311,473 | S | | 10/1990 | Vrabel | | |
| D315,675 | S | | 3/1991 | Kennedy et al. | | |
| D328,242 | S | * | 7/1992 | Chan | | D8/388 |
| 5,199,361 | A | | 4/1993 | Robinson | | |

| | | | | | | |
|-----------|---|---|---------|---------------|-------|---------|
| D347,542 | S | | 6/1994 | Sheppard, Jr. | | |
| 5,524,309 | A | * | 6/1996 | La Barbera | | D8/393 |
| 5,579,798 | A | * | 12/1996 | Pruitt | | 135/118 |
| 5,584,456 | A | | 12/1996 | Stephens | | |
| D382,469 | S | * | 8/1997 | Adams | | D8/388 |

* cited by examiner

Primary Examiner—Ian Simmons

Assistant Examiner—Deanne Levy

(74) *Attorney, Agent, or Firm*—Donald R. Schoonover

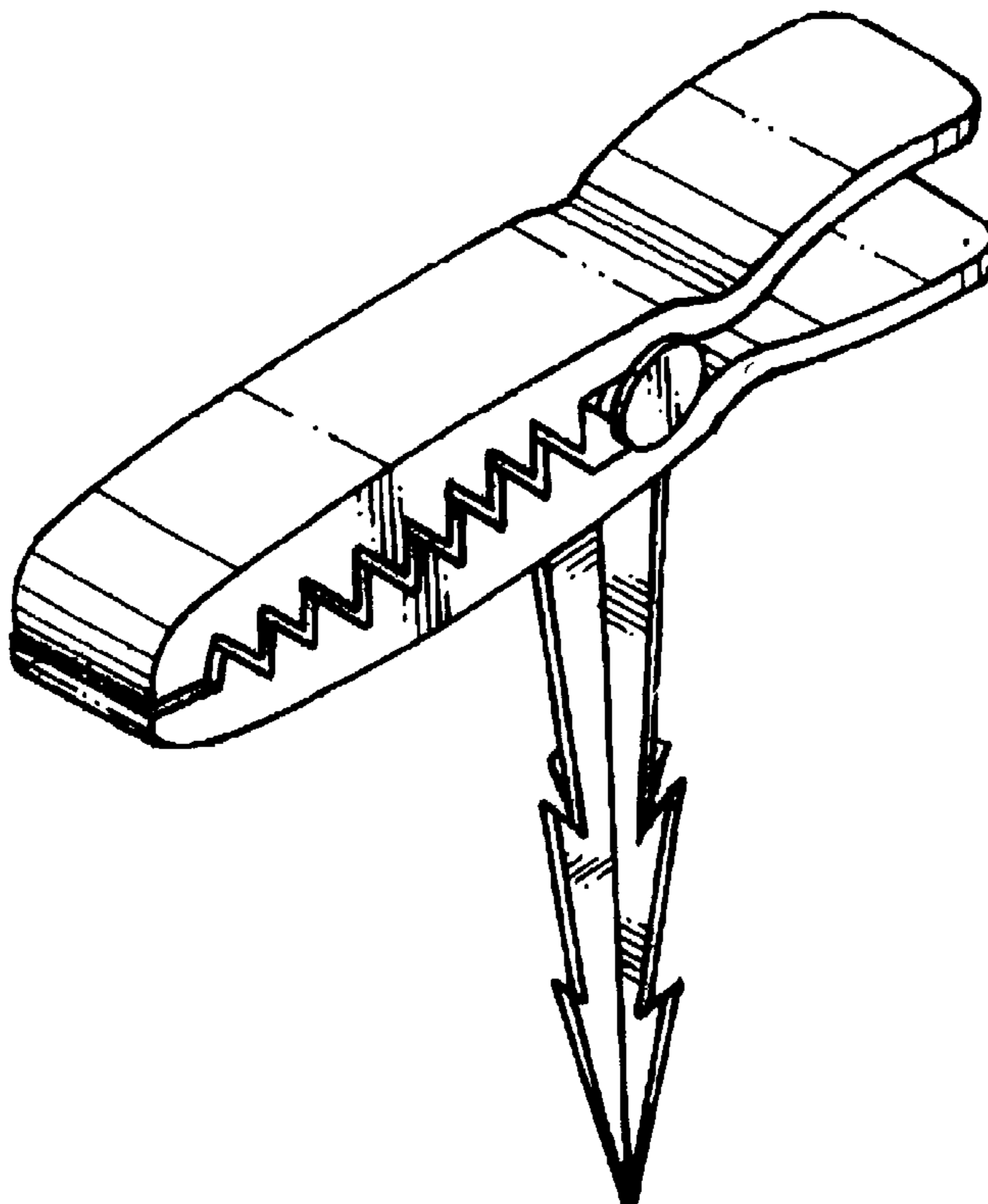
(57) **CLAIM**

We claim the ornamental design for a beach towel grip, as shown and described.

DESCRIPTION

FIG. 1 is a perspective view of a beach towel grip showing our new design;
 FIG. 2 is a front elevational view thereof;
 FIG. 3 is a rear elevational view thereof;
 FIG. 4 is a left side elevational view thereof, the right side elevational view being a mirror image thereof;
 FIG. 5 is a top plan view thereof;
 FIG. 6 is a bottom plan view thereof; and,
 FIG. 7 is a perspective view showing a pair of the beach towel grips in use; the broken lines showing environmental structure being for illustrative purposes only and form no part of the claimed design.

1 Claim, 3 Drawing Sheets



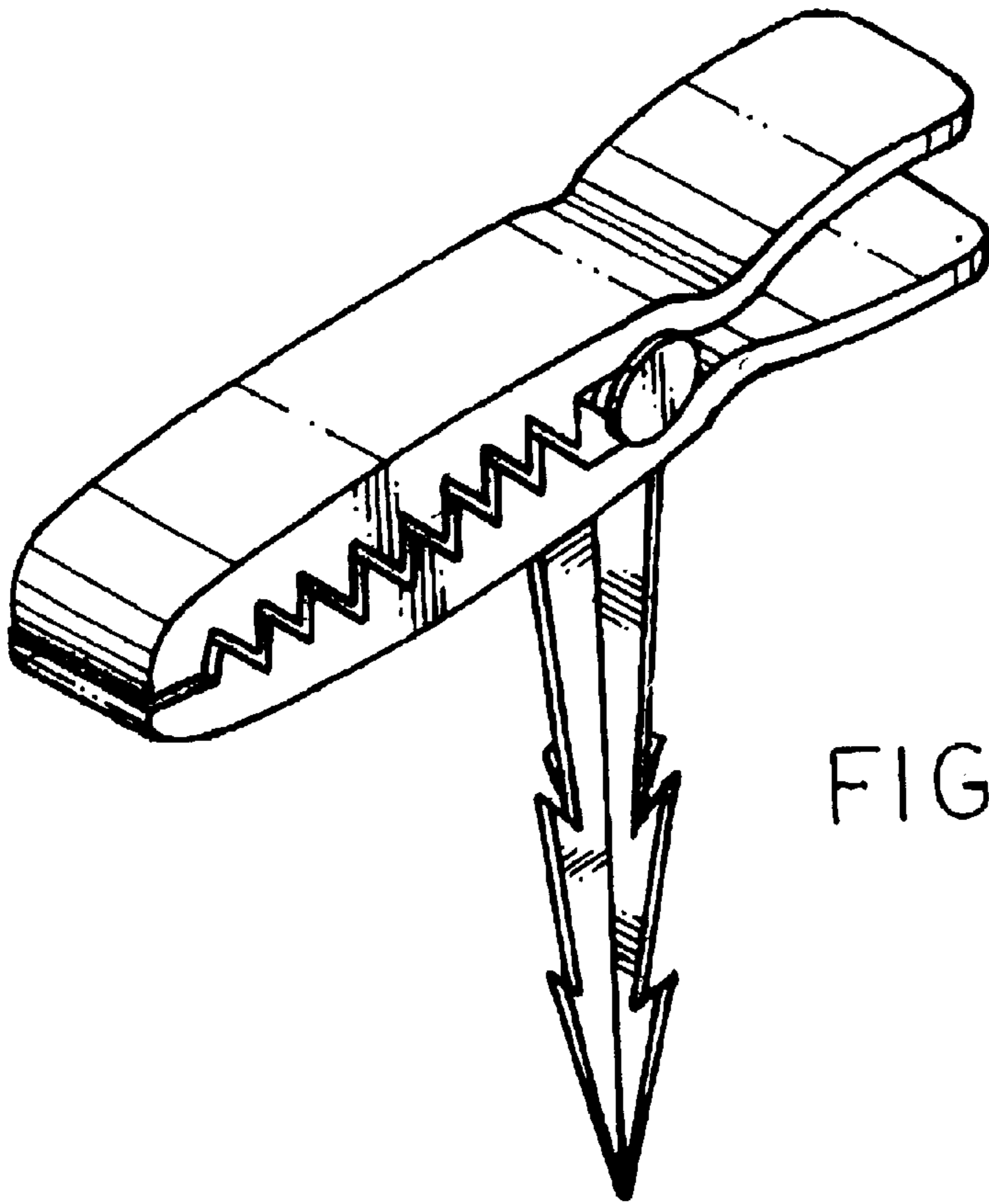


FIG. 1.

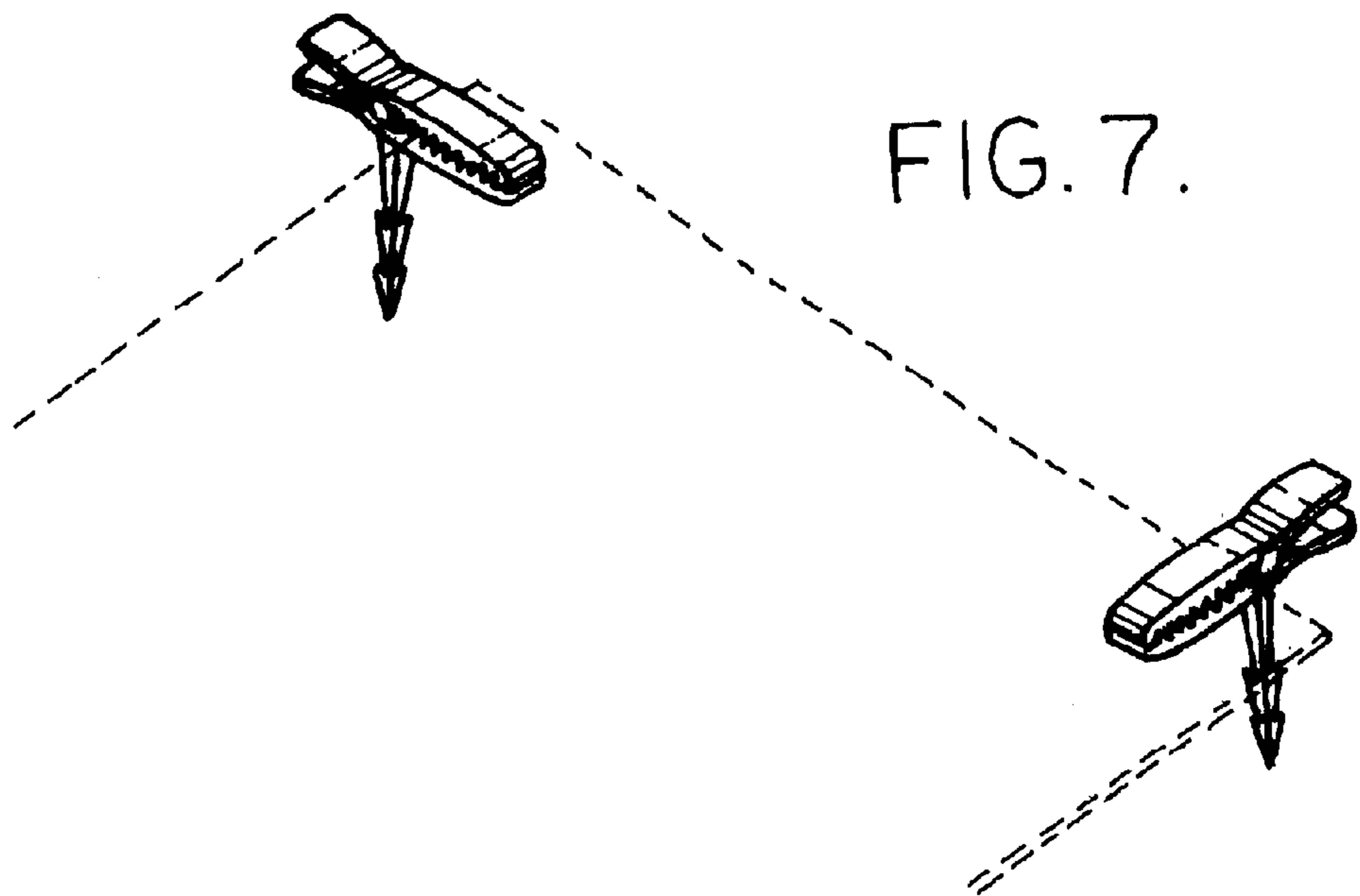


FIG. 7.

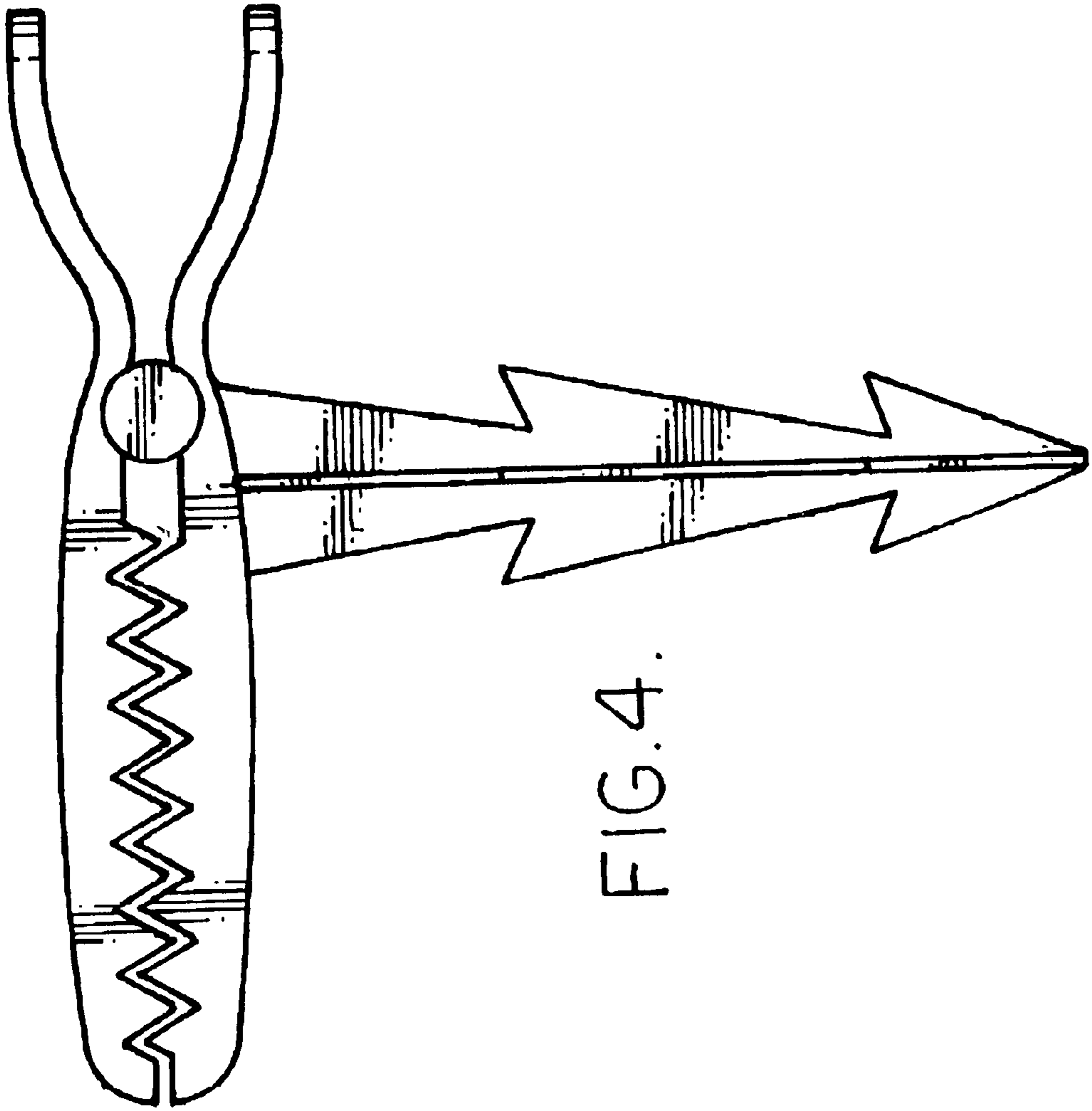


FIG. 4.

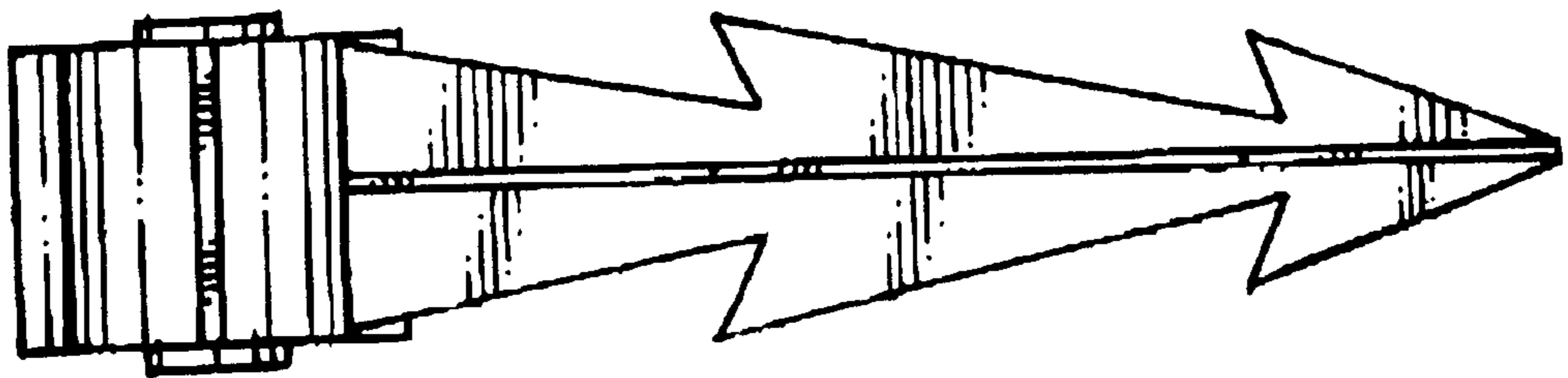


FIG. 2.

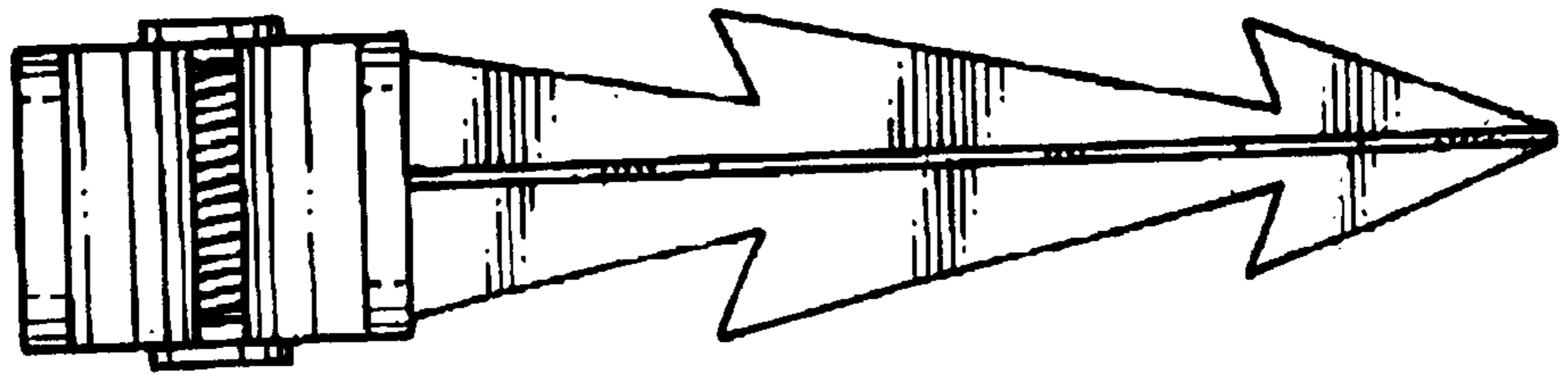


FIG. 3.

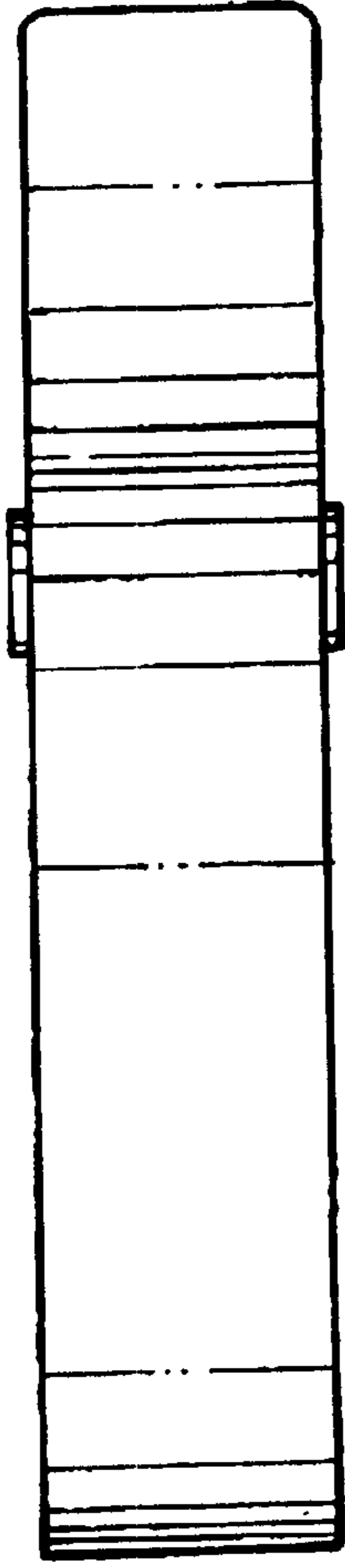


FIG. 5

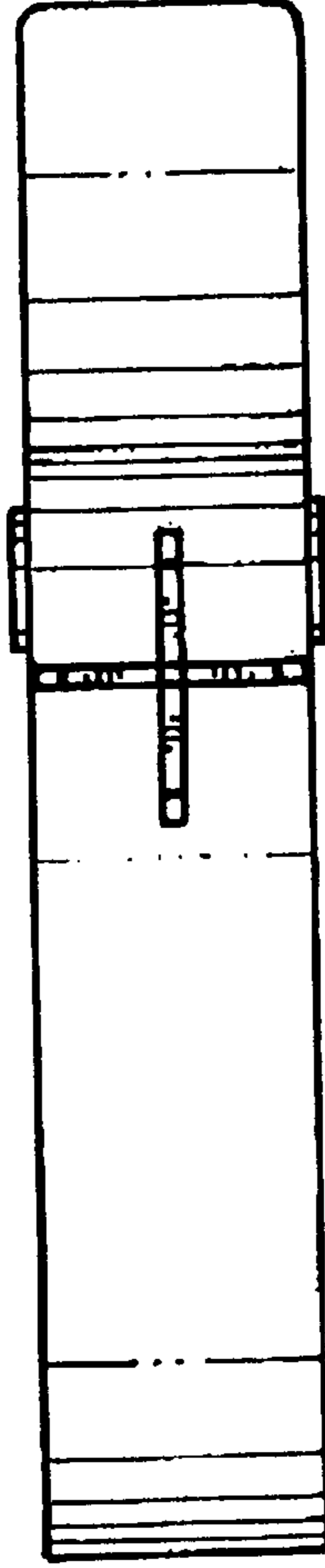


FIG. 6.