



US00D476552S

(12) **United States Design Patent**  
**Thomas**

(10) **Patent No.:** **US D476,552 S**

(45) **Date of Patent:** **\*\* Jul. 1, 2003**

(54) **EXTENSION TIP FOR HANDLING OBJECTS SUCH AS HANGING PLANTS AND THE LIKE**

D365,170 S \* 12/1995 Ng et al. .... D26/138

\* cited by examiner

*Primary Examiner*—Pamela Burgess

(76) **Inventor:** **Frank D. Thomas**, 3 Lorraine Dr., Pittsburgh, PA (US) 15205

(57) **CLAIM**

(\*\*) **Term:** **14 Years**

The ornamental design for a extension tip for handling objects such as hanging plants and the like, as shown and described.

(21) **Appl. No.:** **29/154,526**

**DESCRIPTION**

(22) **Filed:** **Jan. 23, 2002**

(51) **LOC (7) Cl.** ..... **08-05**

FIG. 1 is a front elevational view of a extension tip for handling objects such as hanging plants and the like showing my new design, the rear elevational view being a mirror image thereof;

(52) **U.S. Cl.** ..... **D8/373**

FIG. 2 is a side view, taken from the left side of FIG. 1, the right side view being a mirror image thereof;

(58) **Field of Search** ..... D8/367, 499, 373, D8/349, 354, 363, 380; 248/302, 303, 304, 339, 343, 222.52, 318, 317, 309.1, 251, 218.4, 205.1, 201, 200; 24/455; 174/40 R; 211/113, 116, 13.1

FIG. 3 is a top plan view thereof;

FIG. 4 is a bottom plan view thereof;

(56) **References Cited**

**U.S. PATENT DOCUMENTS**

- D228,877 S \* 10/1973 Hirt ..... D8/394
- D277,015 S \* 1/1985 Elliott ..... D21/389
- 5,402,977 A \* 4/1995 Korfgan et al. .... 248/309.1

FIG. 5 is an enlarged cross-sectional view thereof, taken along line 5—5 in FIG. 1; and,

FIG. 6 is a perspective view thereof.

The broken line showing a handle in FIG. 6 is for illustrative purposes only and forms no part of the claimed design.

**1 Claim, 3 Drawing Sheets**

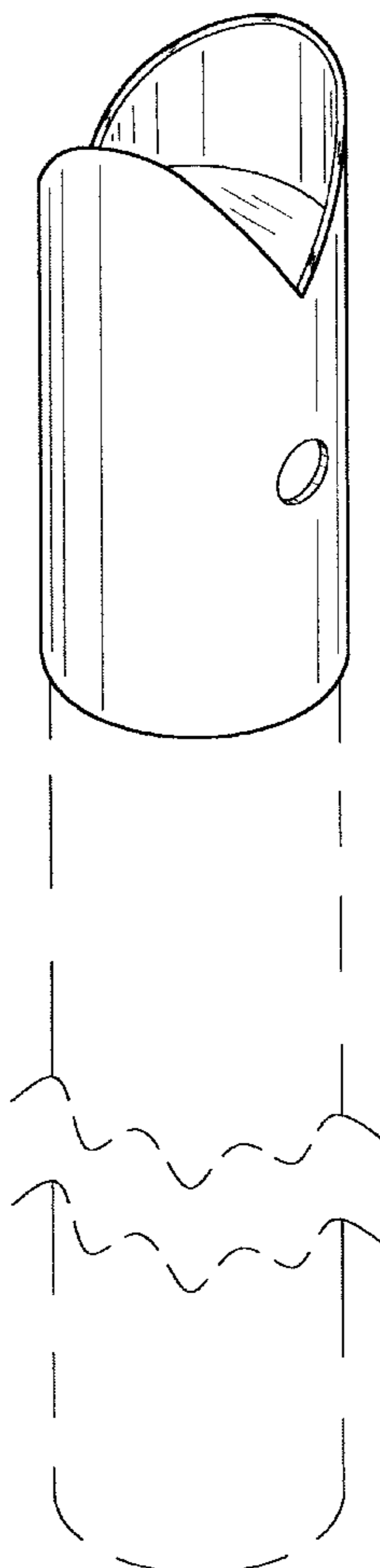


FIG. 1

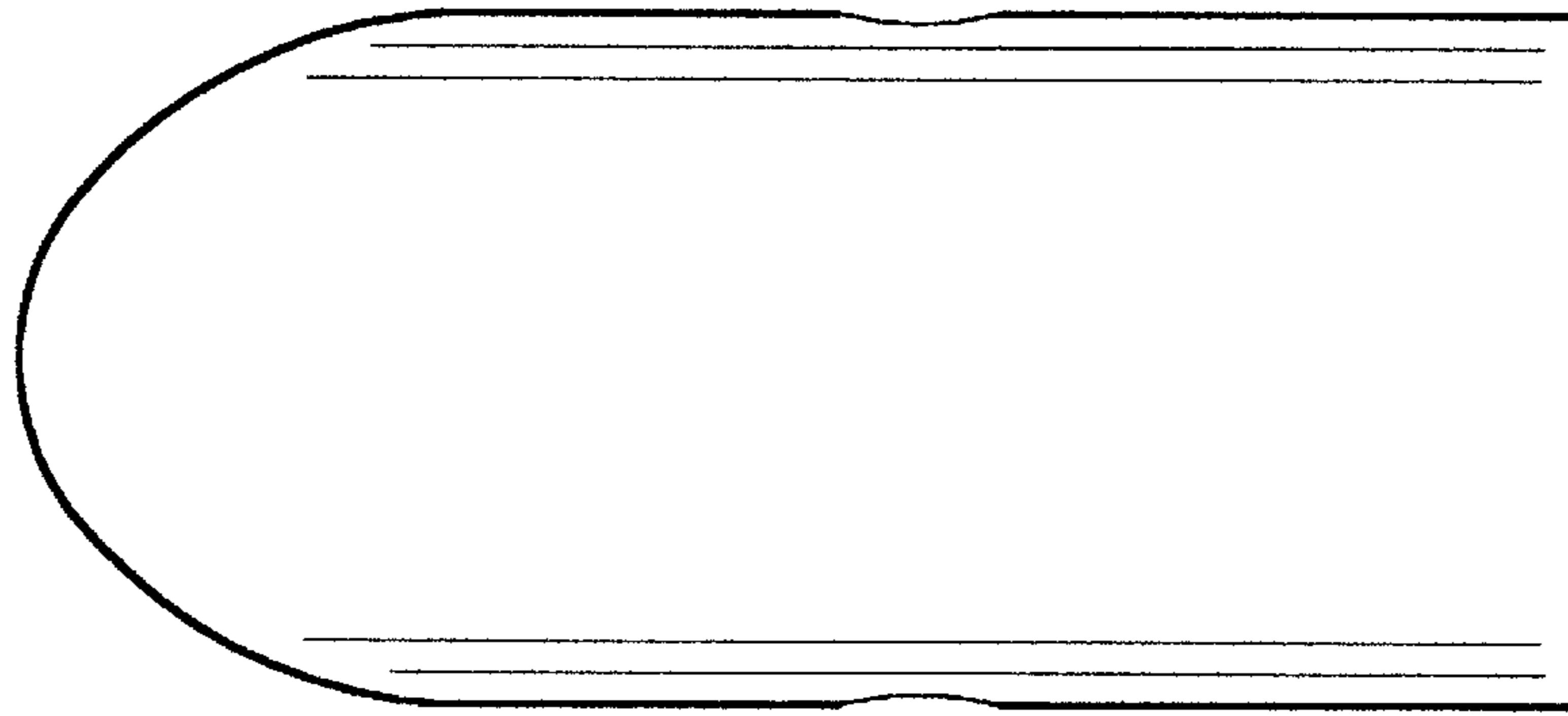
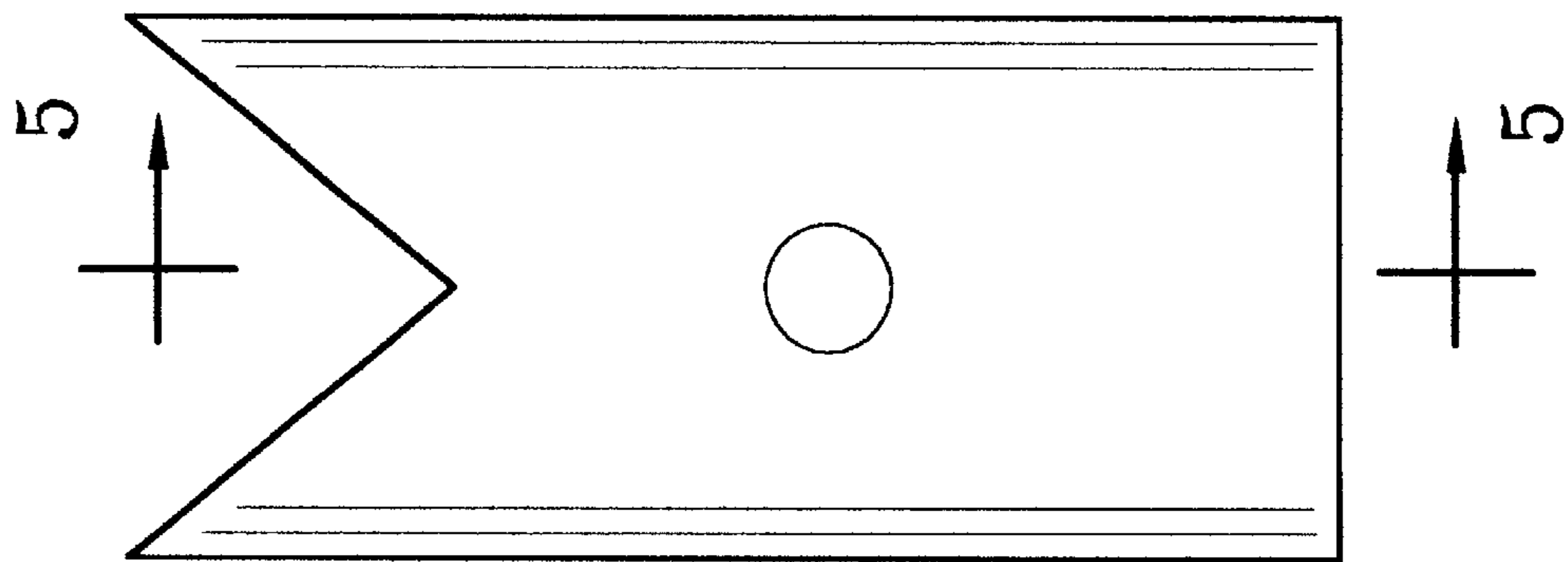


FIG. 2

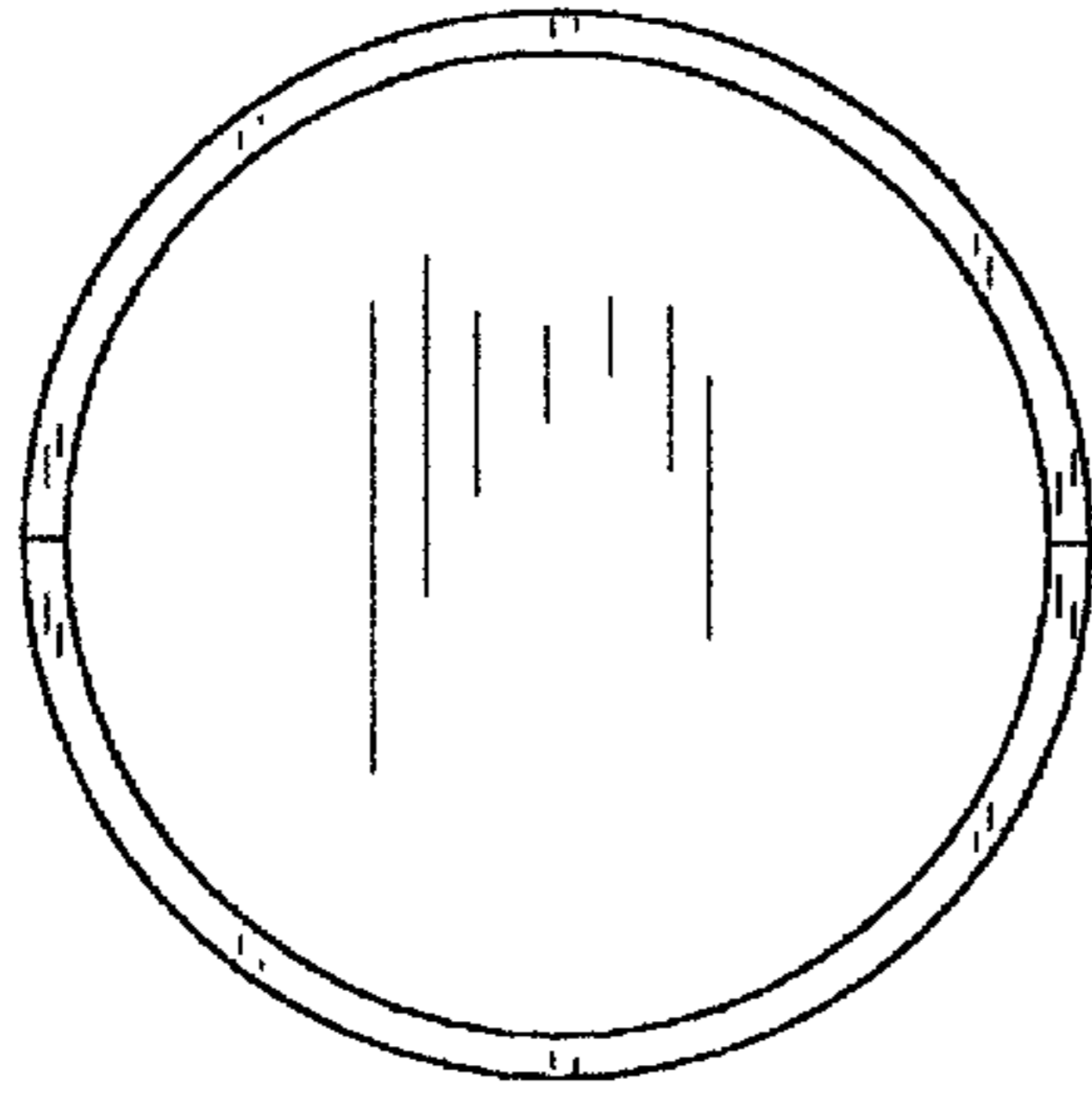


FIG. 3

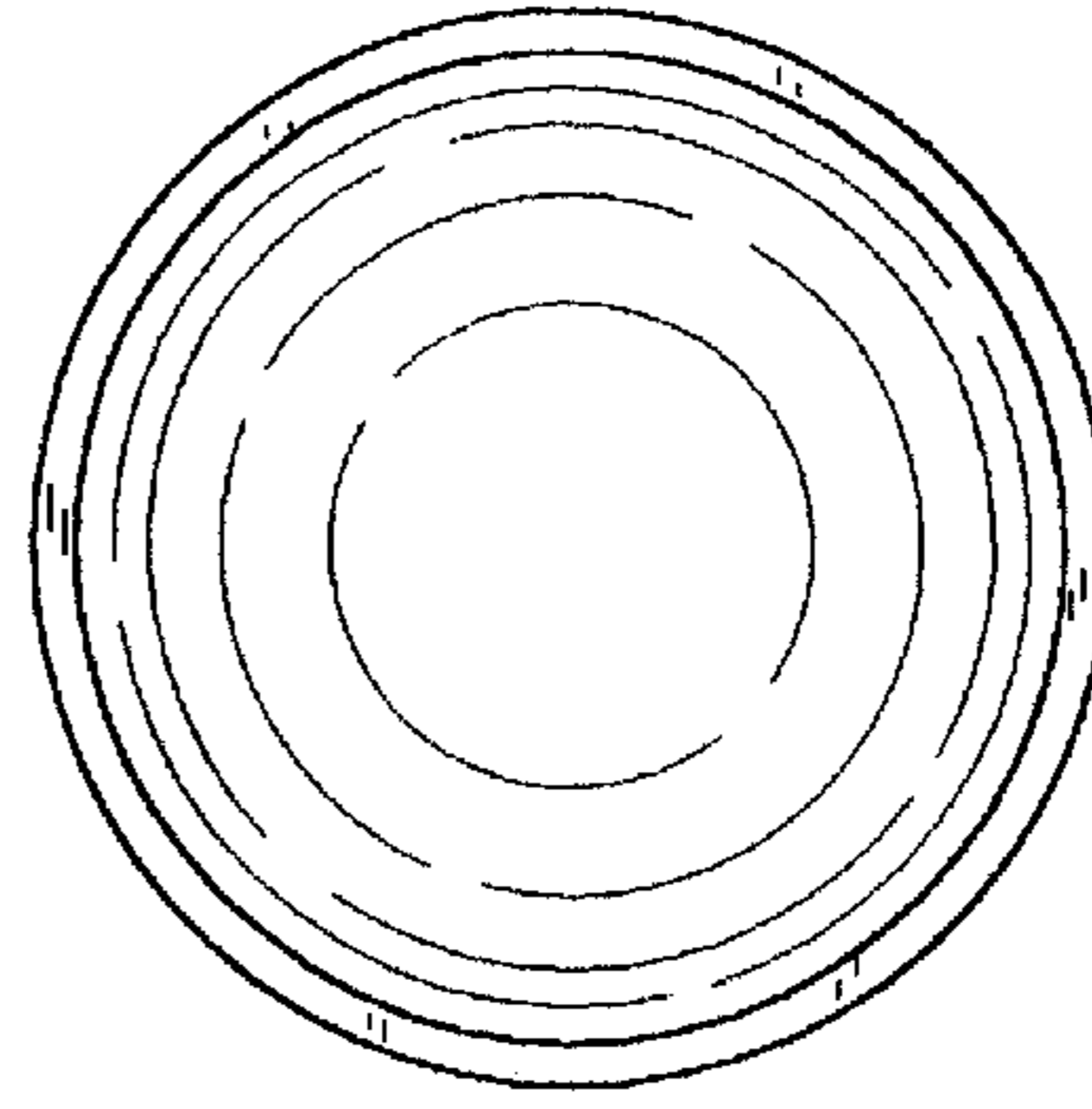


FIG. 4

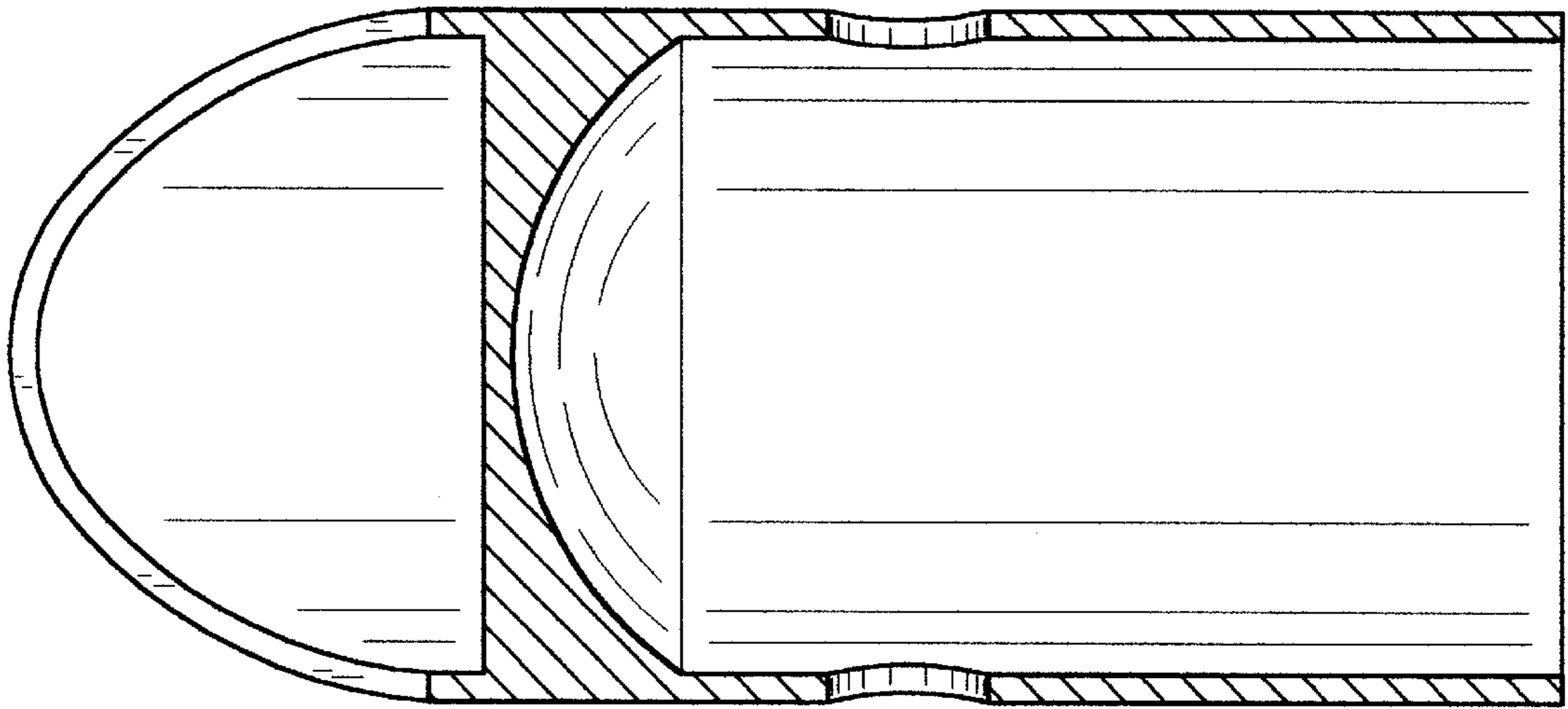


FIG. 5

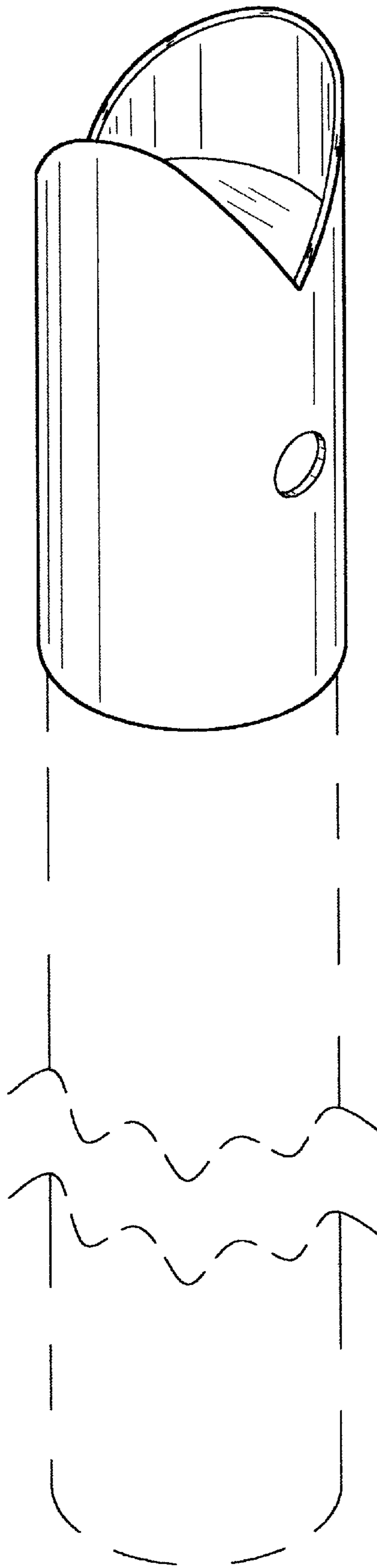


FIG. 6