



US00D476551S

(12) **United States Design Patent**  
**Bentley**

(10) **Patent No.:** **US D476,551 S**

(45) **Date of Patent:** **\*\* Jul. 1, 2003**

(54) **DUAL CONDUIT BRACKET FITTING**

D418,210 S \* 12/1999 Roesch ..... D23/262  
6,171,014 B1 \* 1/2001 Meyer ..... 248/49

(75) Inventor: **Christopher B. Bentley**, Spring, TX  
(US)

\* cited by examiner

(73) Assignee: **Capro, Inc.**, Willis, TX (US)

*Primary Examiner*—Doris V. Coles

*Assistant Examiner*—Elizabeth A. Albert

(\*\*) Term: **14 Years**

(74) *Attorney, Agent, or Firm*—Jenkins & Gilchrist, A  
Professional Corporation

(21) Appl. No.: **29/160,954**

(57) **CLAIM**

(22) Filed: **May 20, 2002**

I claim the ornamental design for the dual conduit bracket fitting, as shown and described.

(51) **LOC (7) Cl.** ..... **08-05**

(52) **U.S. Cl.** ..... **D8/356**

(58) **Field of Search** ..... D8/349, 354, 355,  
D8/356, 373, 380, 382, 396, 499; 74/502.4,  
502.6; 123/179.26; 248/27.3, 49, 55, 56,  
58, 65, 67.7, 68.1, 73; 254/264, 270; 403/197,  
396

**DESCRIPTION**

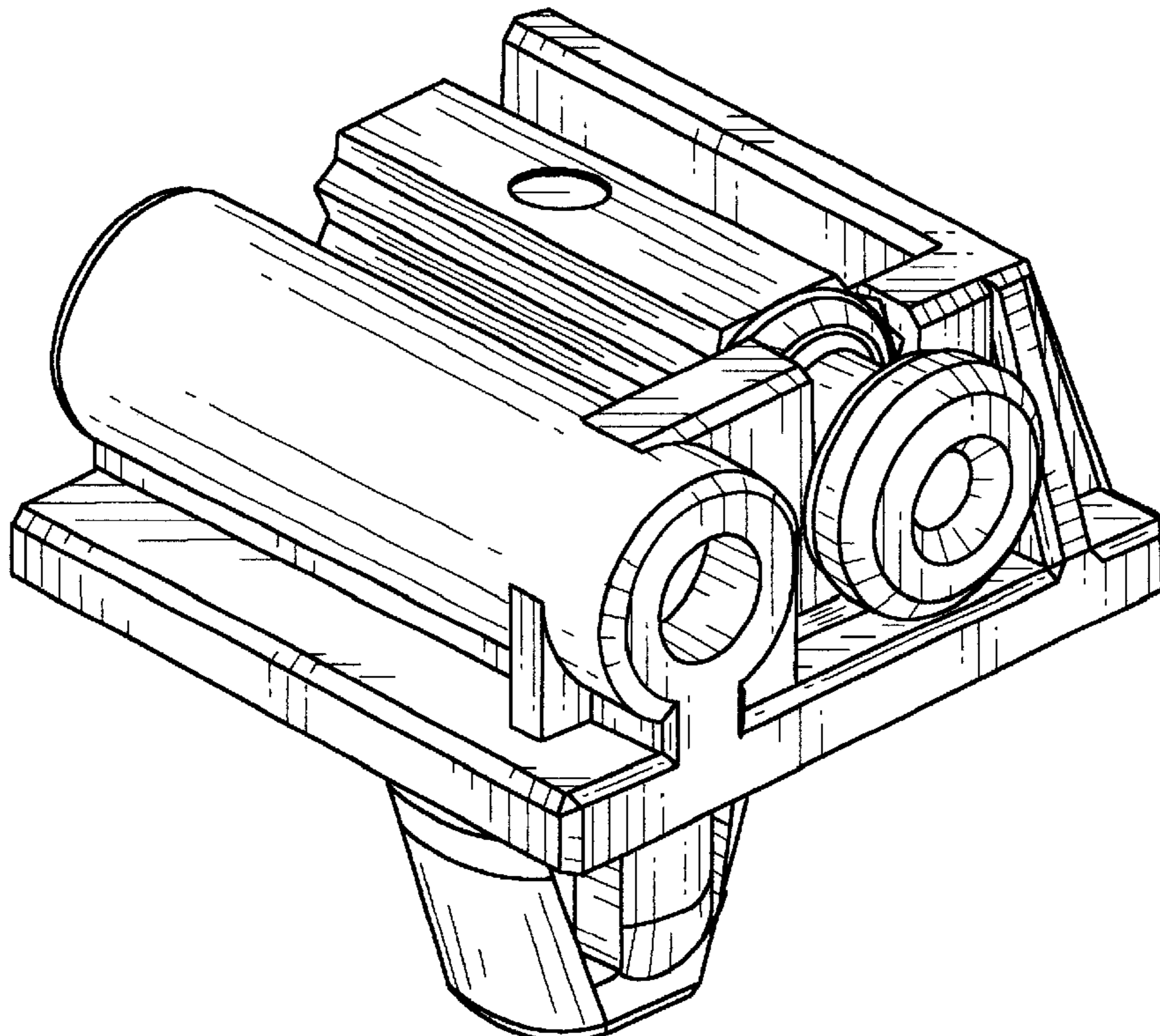
(56) **References Cited**

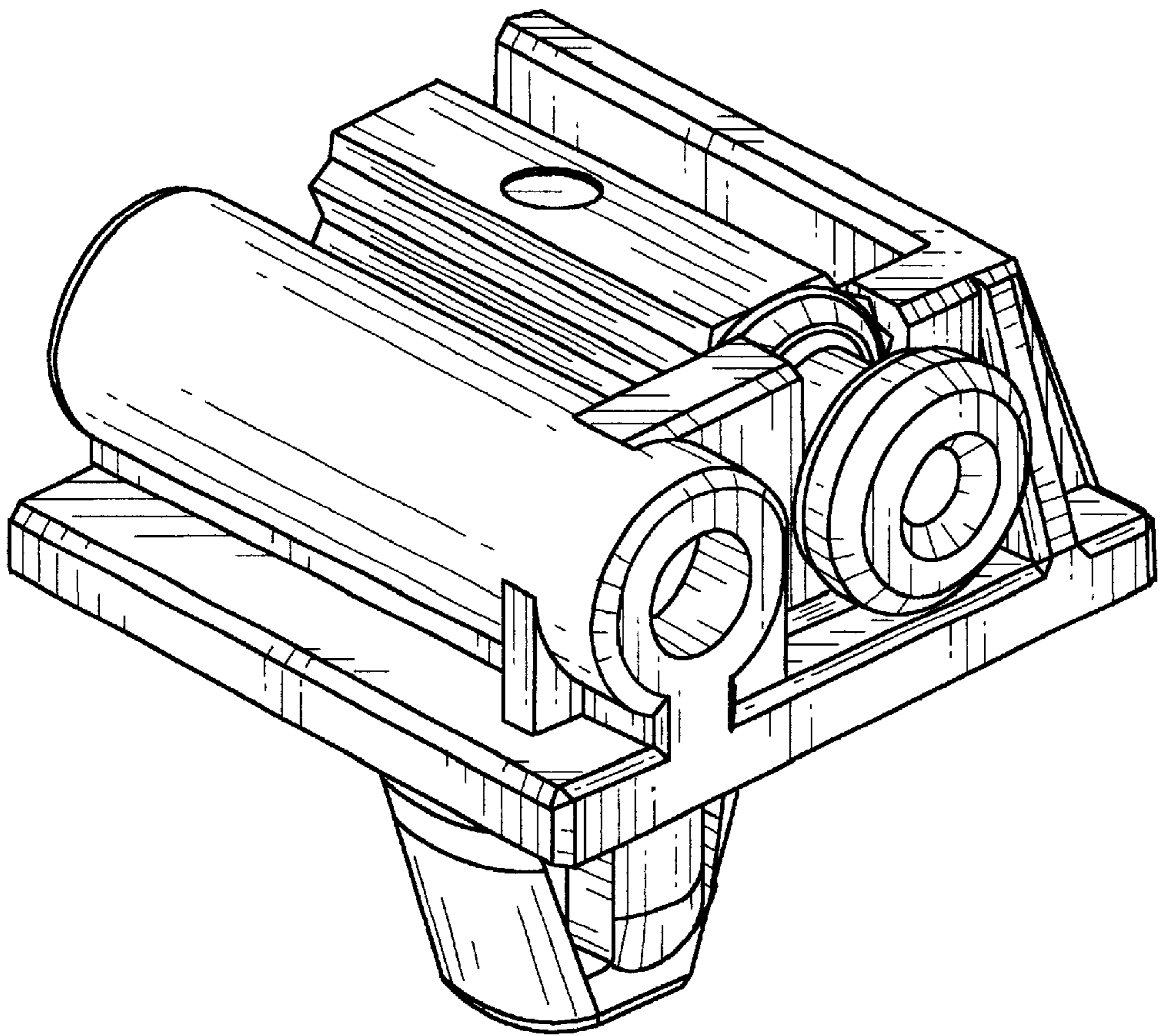
**U.S. PATENT DOCUMENTS**

- 2,869,905 A \* 1/1959 Bratz ..... 248/56
- 4,304,148 A \* 12/1981 Hamman ..... 248/27.3
- 4,566,660 A \* 1/1986 Anscher et al. .... 248/74.2
- D311,128 S \* 10/1990 Breveglieri ..... D8/373
- 4,986,098 A \* 1/1991 Fisher ..... 70/262
- 5,535,969 A \* 7/1996 Duffy, Jr. .... 248/68.1
- 5,582,074 A \* 12/1996 Kelley et al. .... 74/502.4
- 5,615,851 A \* 4/1997 LeBeau ..... 403/197
- 5,845,883 A \* 12/1998 Meyer ..... 248/73

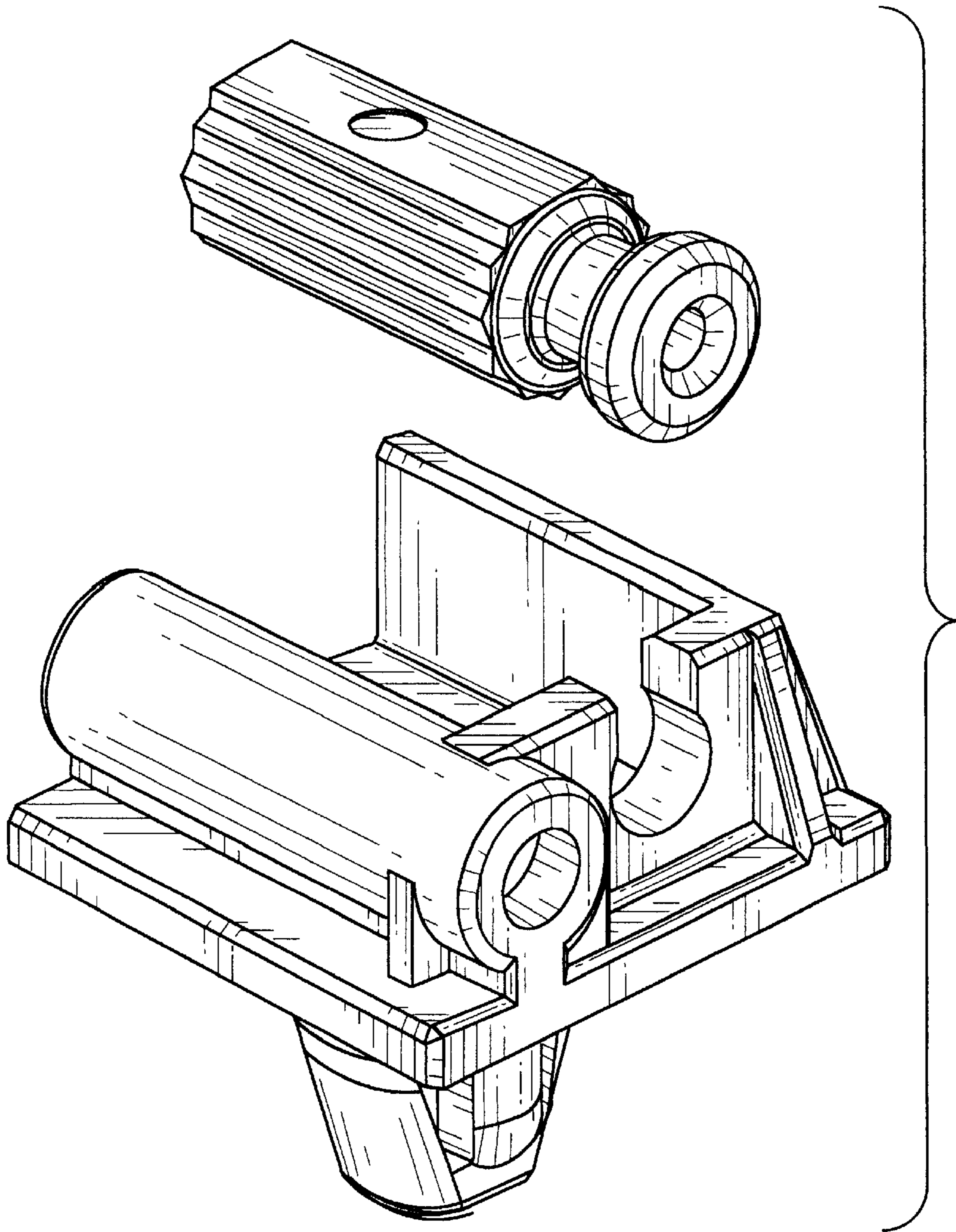
FIG. 1 is a perspective view of the dual conduit bracket fitting;  
 FIG. 2 is an exploded view of each cable end fitting apart from each other;  
 FIG. 3 is a top plan view of the dual conduit bracket fitting;  
 FIG. 4 is a front elevational view of the dual conduit bracket fitting;  
 FIG. 5 is a right side elevational view of the dual conduit bracket fitting;  
 FIG. 6 is a rear elevational view of the dual conduit bracket fitting;  
 FIG. 7 is a left side elevational view of the dual conduit bracket fitting; and,  
 FIG. 8 is a bottom plan view of the dual conduit bracket fitting.

**1 Claim, 4 Drawing Sheets**

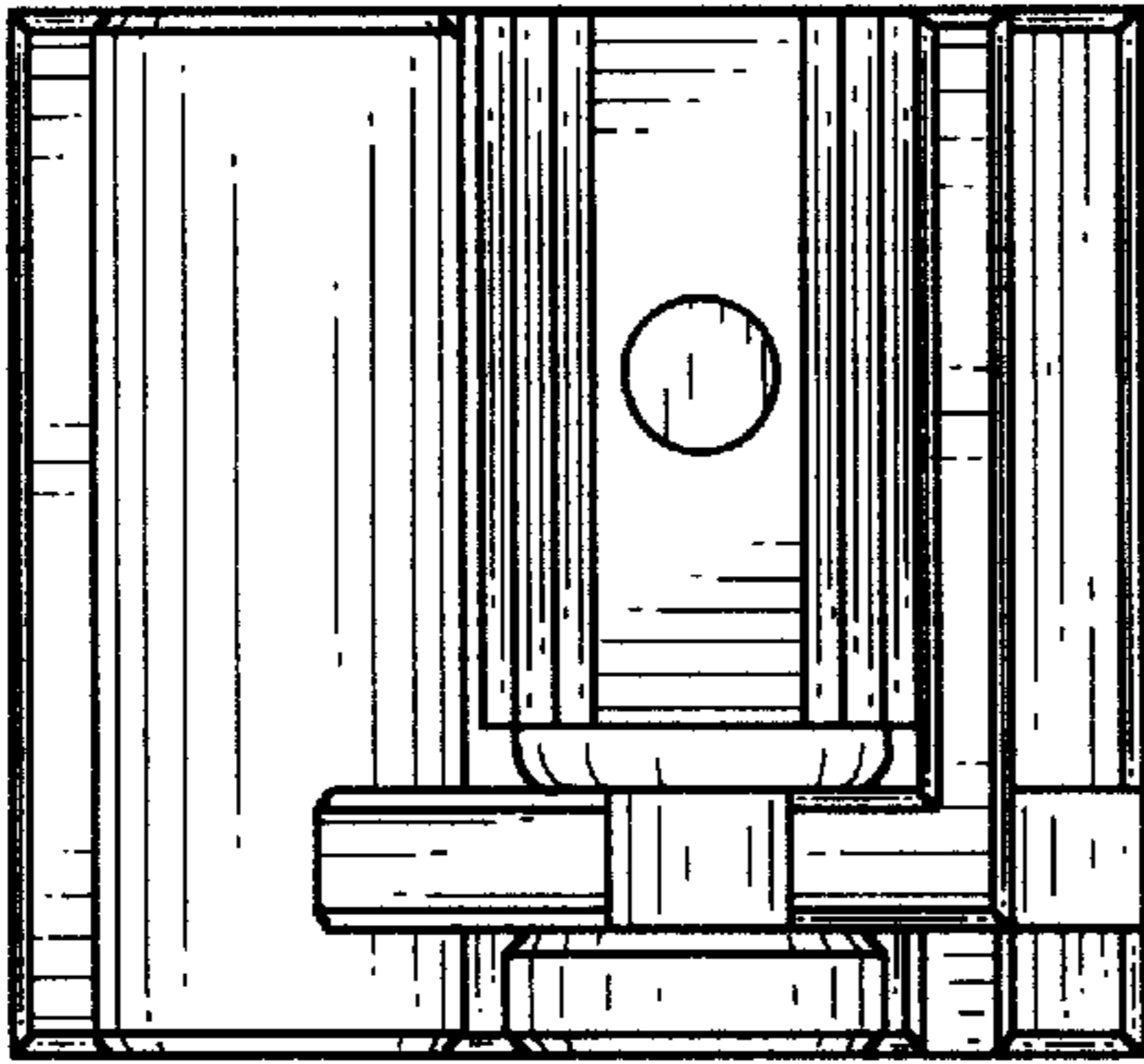




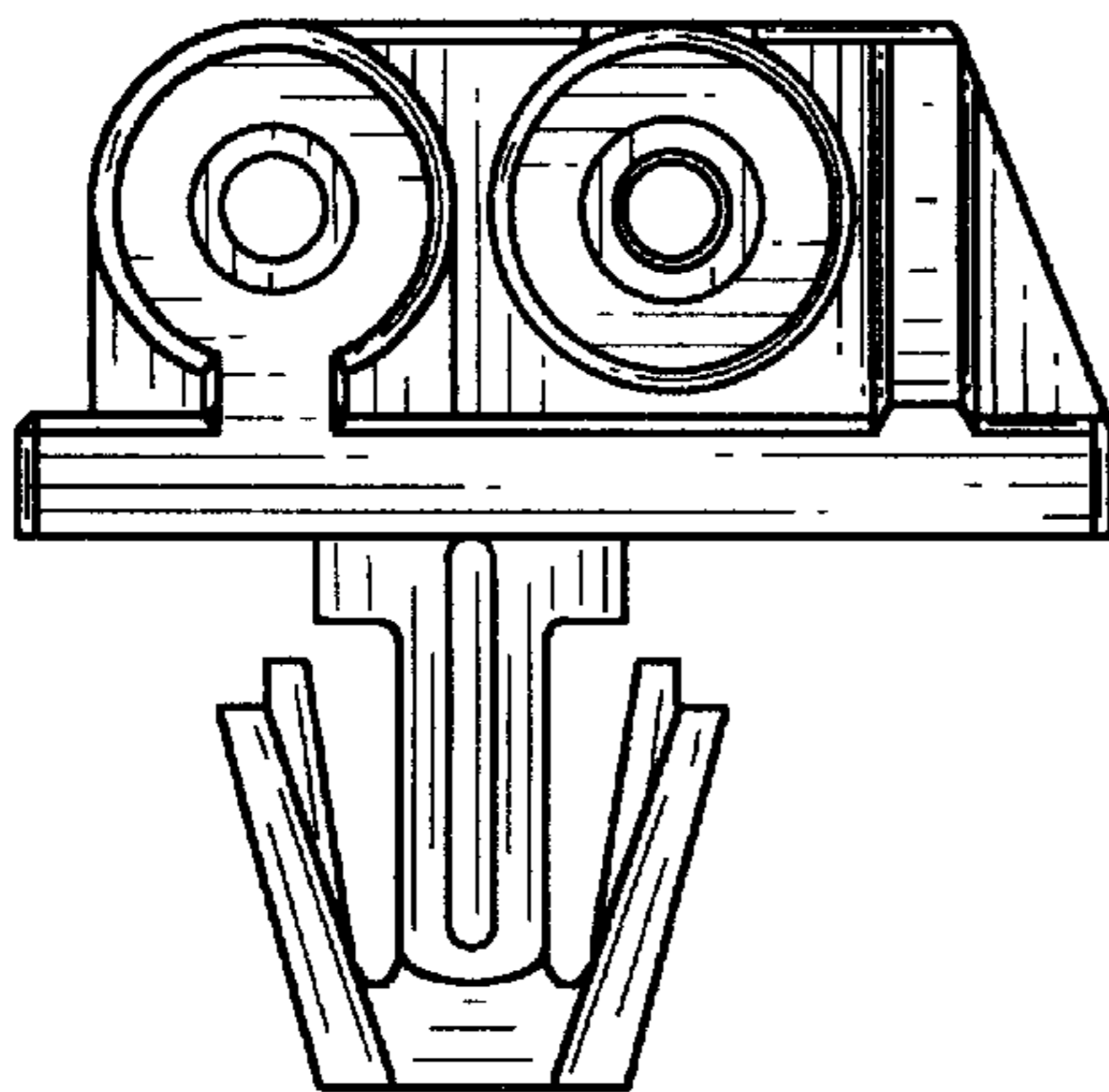
*Fig. 1*



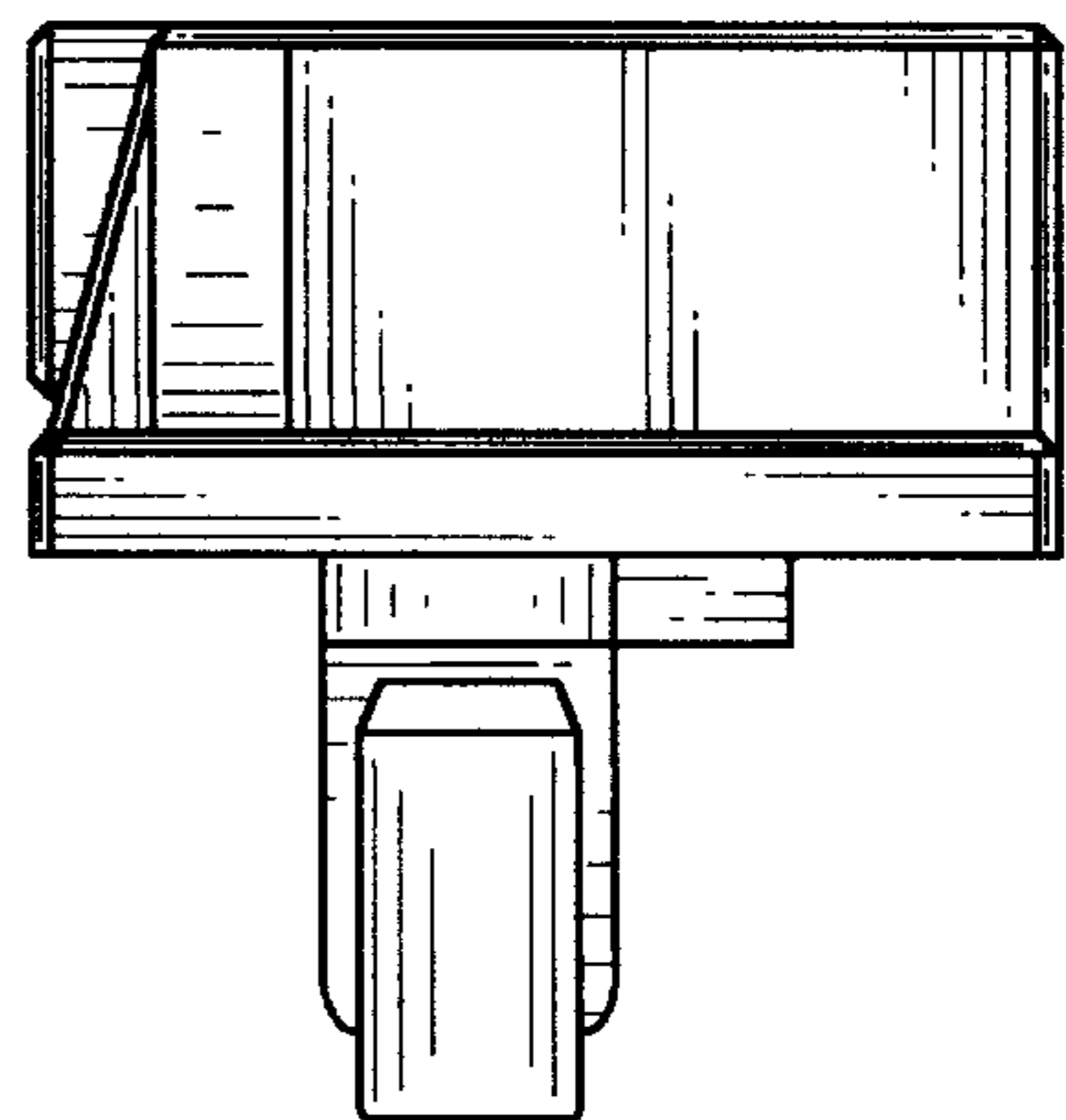
*Fig. 2*



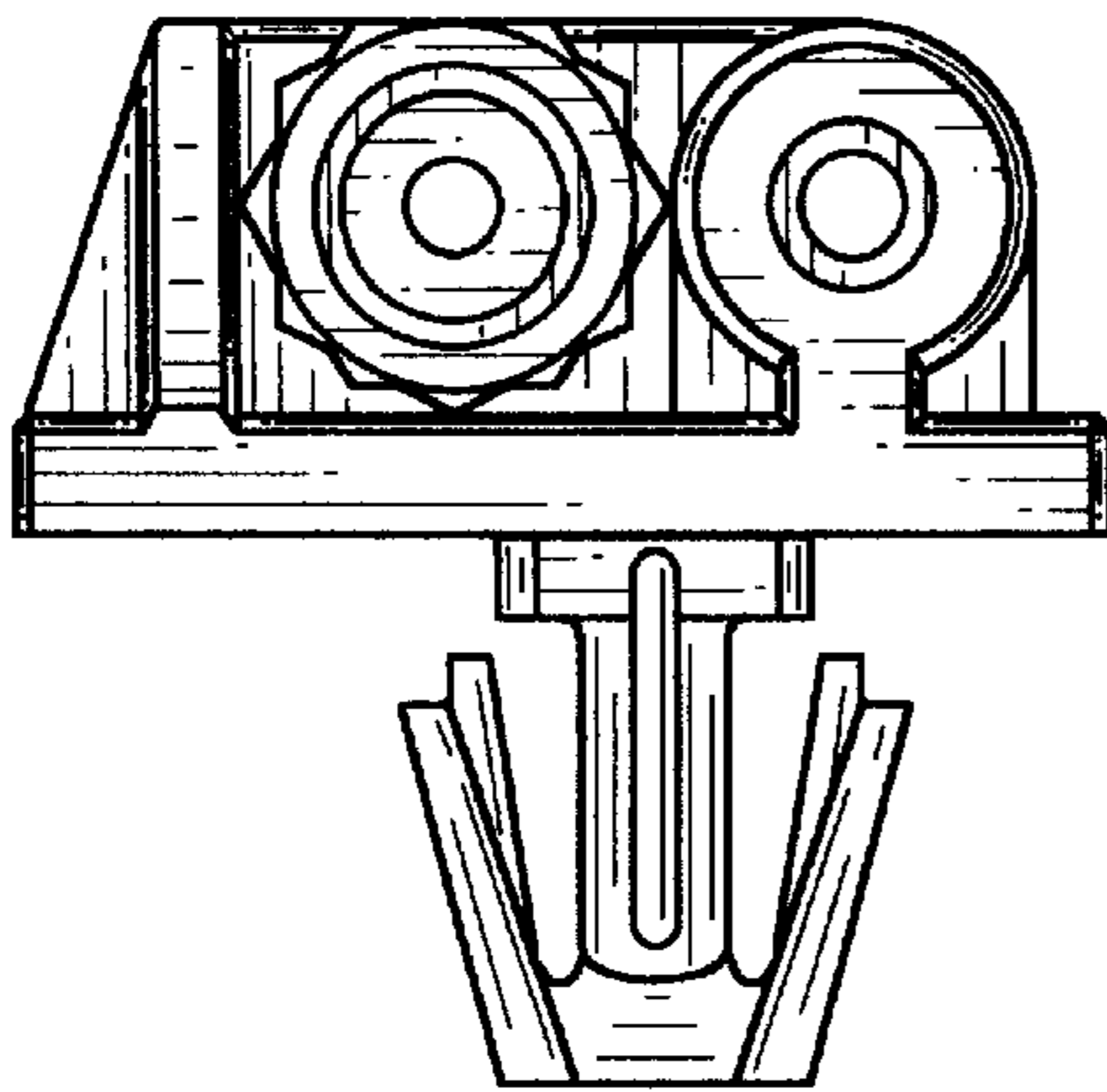
*Fig. 3*



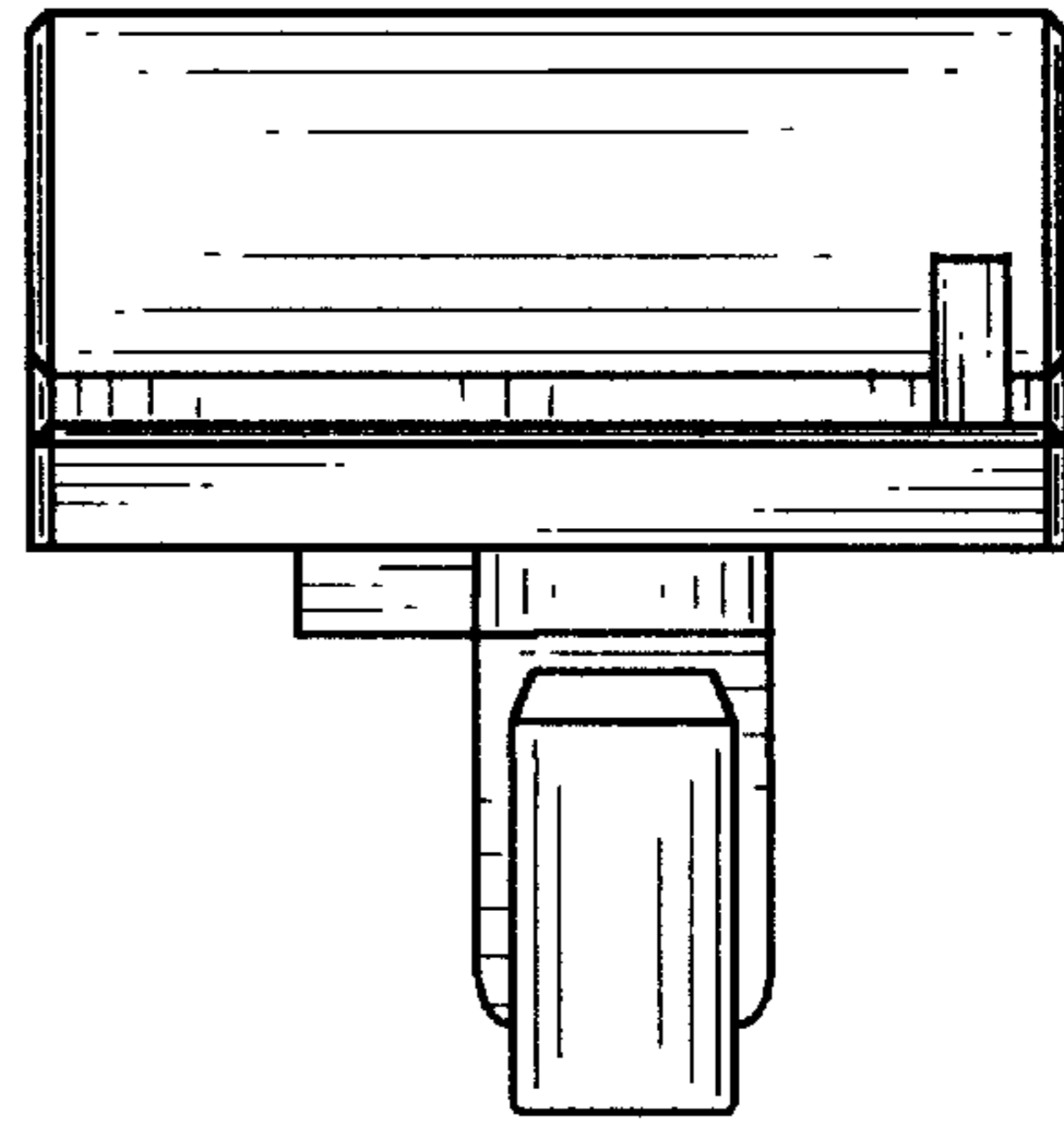
*Fig. 4*



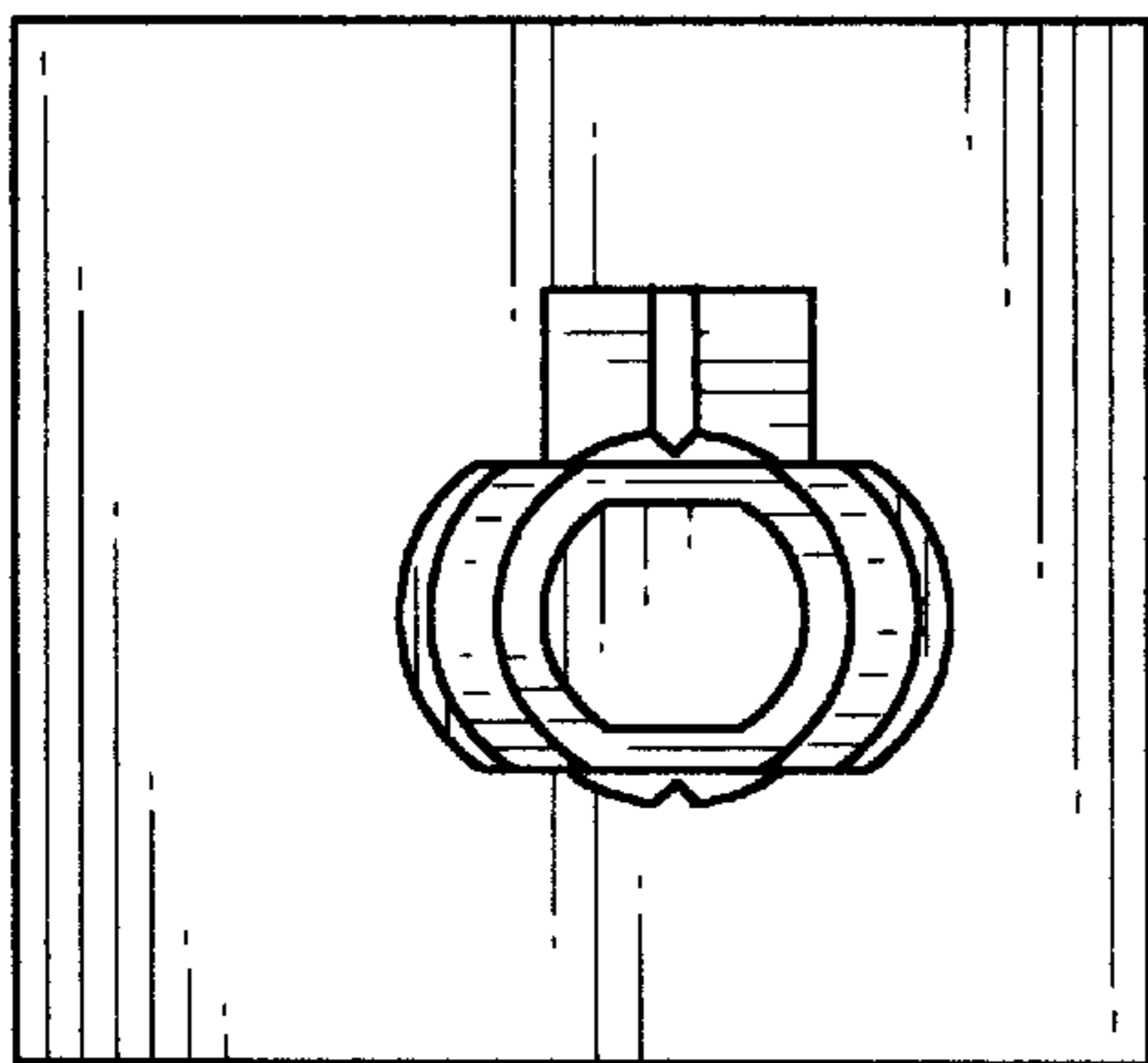
*Fig. 5*



*Fig. 6*



*Fig. 7*



*Fig. 8*