



US00D476550S

(12) **United States Design Patent**  
**Jorgensen**

(10) **Patent No.:** **US D476,550 S**

(45) **Date of Patent:** **\*\* Jul. 1, 2003**

(54) **ANIMAL HEAD CORNER MOUNTING BRACKET**

6,364,261 B1 \* 4/2002 Vass, Jr. .... 248/220.1

\* cited by examiner

(76) **Inventor:** **Carl Jorgensen**, 303 Church St., P.O. Box 116, Fairwater, WI (US) 53931

*Primary Examiner*—Doris V. Coles  
*Assistant Examiner*—Elizabeth A. Albert

(\*\*) **Term:** **14 Years**

(57) **CLAIM**

(21) **Appl. No.:** **29/163,915**

The ornamental design for an animal head corner mounting bracket, as shown and described.

(22) **Filed:** **Jul. 16, 2002**

**DESCRIPTION**

(51) **LOC (7) Cl.** ..... **08-05**

(52) **U.S. Cl.** ..... **D8/354**

(58) **Field of Search** ..... D8/349, 354, 363, D8/366, 373, 380; D6/512; D11/134; 248/207, 220.1, 235, 241, 247, 295.11, 300, 327, 475.1, 489; 428/542.2, 542.4, 542.6, 913.3; 434/296

FIG. 1 is a front perspective view of an animal head corner mounting bracket showing my new design in its intended environment;  
FIG. 2 is a top plan view of the animal head corner mounting bracket showing my new design in its intended environment;  
FIG. 3 is a perspective view of the animal head corner mounting bracket;  
FIG. 4 is a front view thereof;  
FIG. 5 is a side view thereof;  
FIG. 6 is a top view thereof; and,  
FIG. 7 is a bottom view thereof.

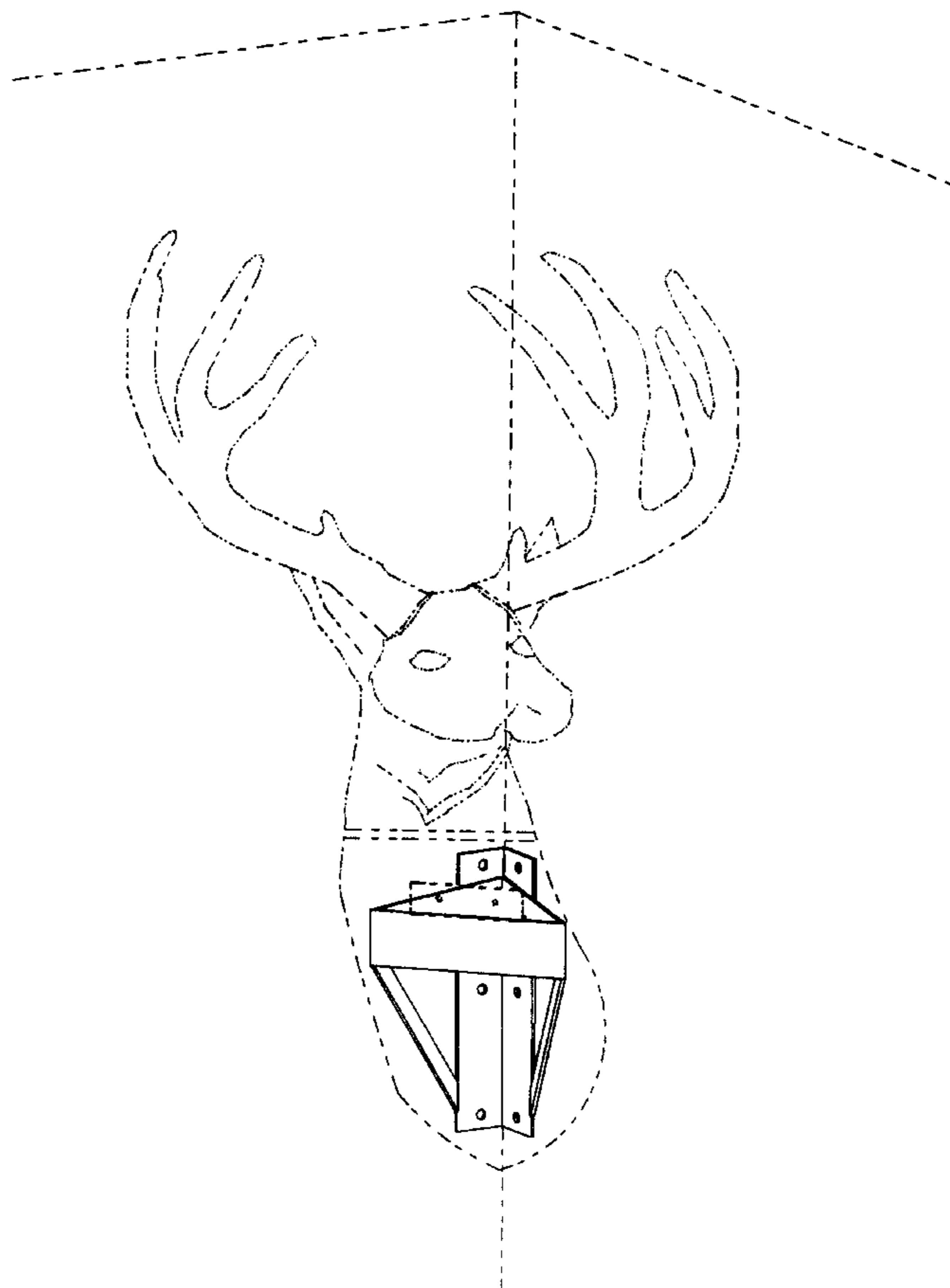
(56) **References Cited**

**U.S. PATENT DOCUMENTS**

- 1,449,700 A \* 3/1923 Sampson ..... 248/235
- 1,537,400 A \* 5/1925 Wohlhieter ..... 248/220.1
- 3,698,680 A \* 10/1972 Shoemaker ..... 248/235
- 3,979,098 A \* 9/1976 Vattier ..... 248/247
- D253,278 S \* 10/1979 Ziaylek, Jr. .... D8/373
- 4,971,865 A \* 11/1990 Nowlan ..... 428/542.4

The broken lines showing environment in the drawings are for illustrative purposes only and form no part of the claimed design.

**1 Claim, 5 Drawing Sheets**



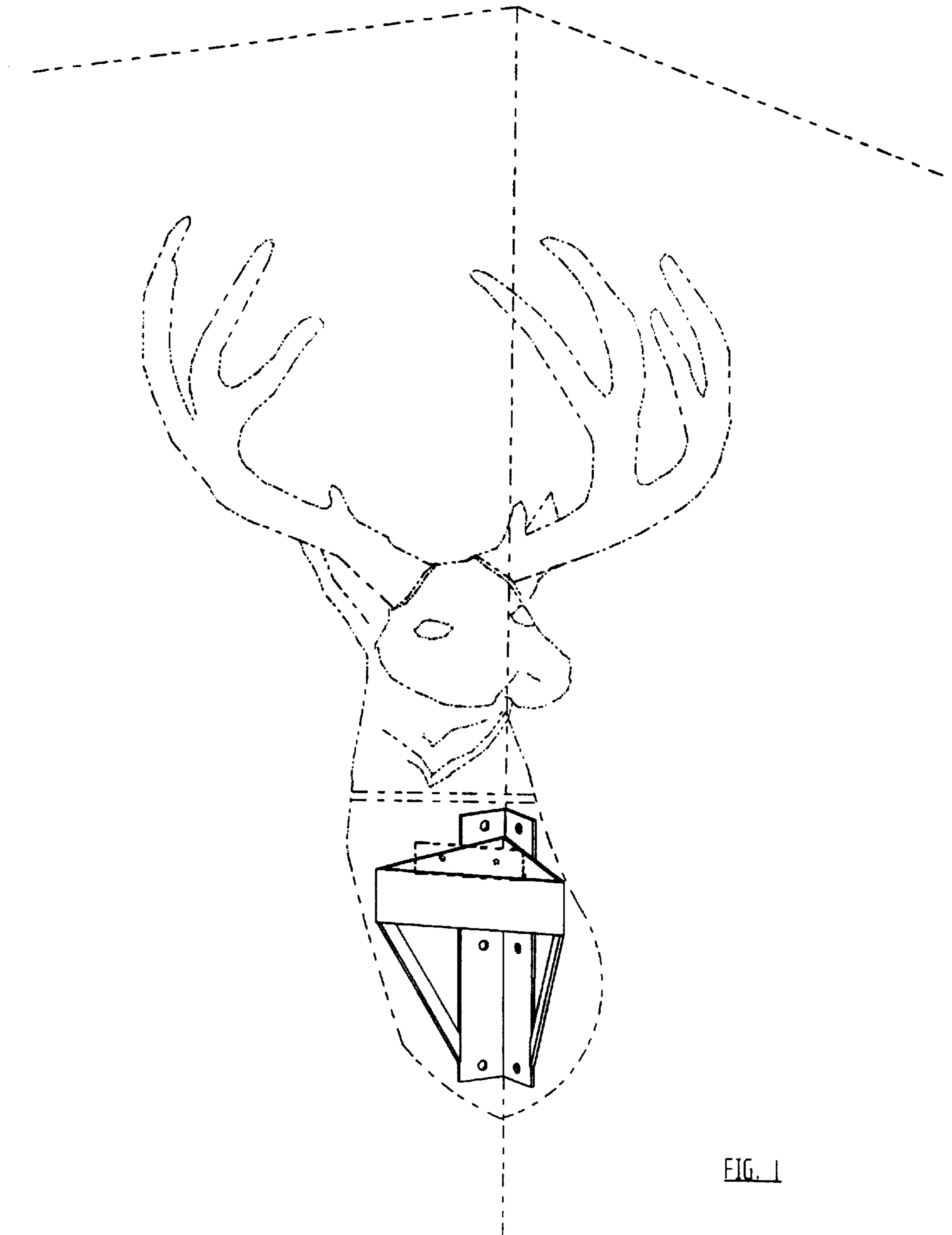
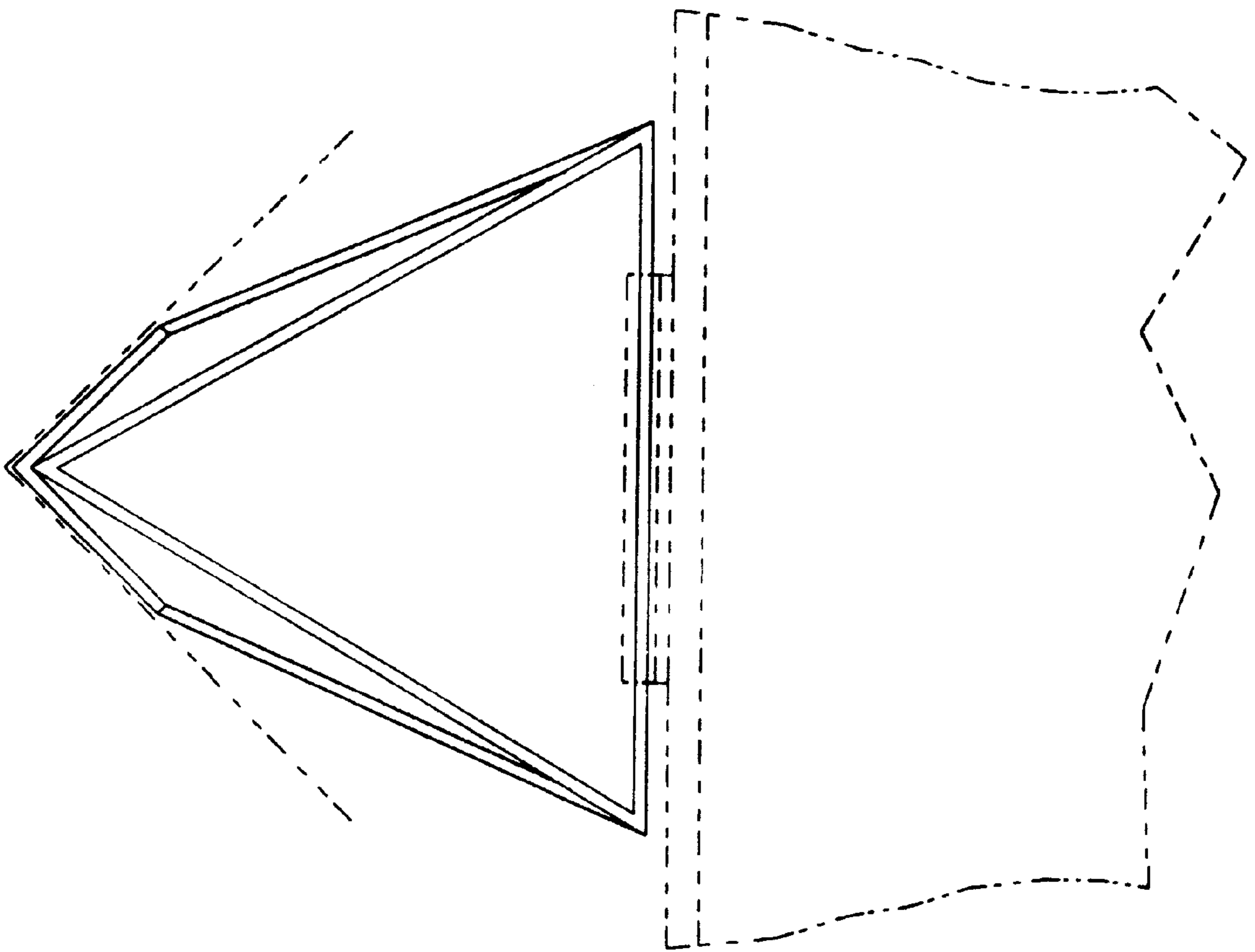


FIG. 2



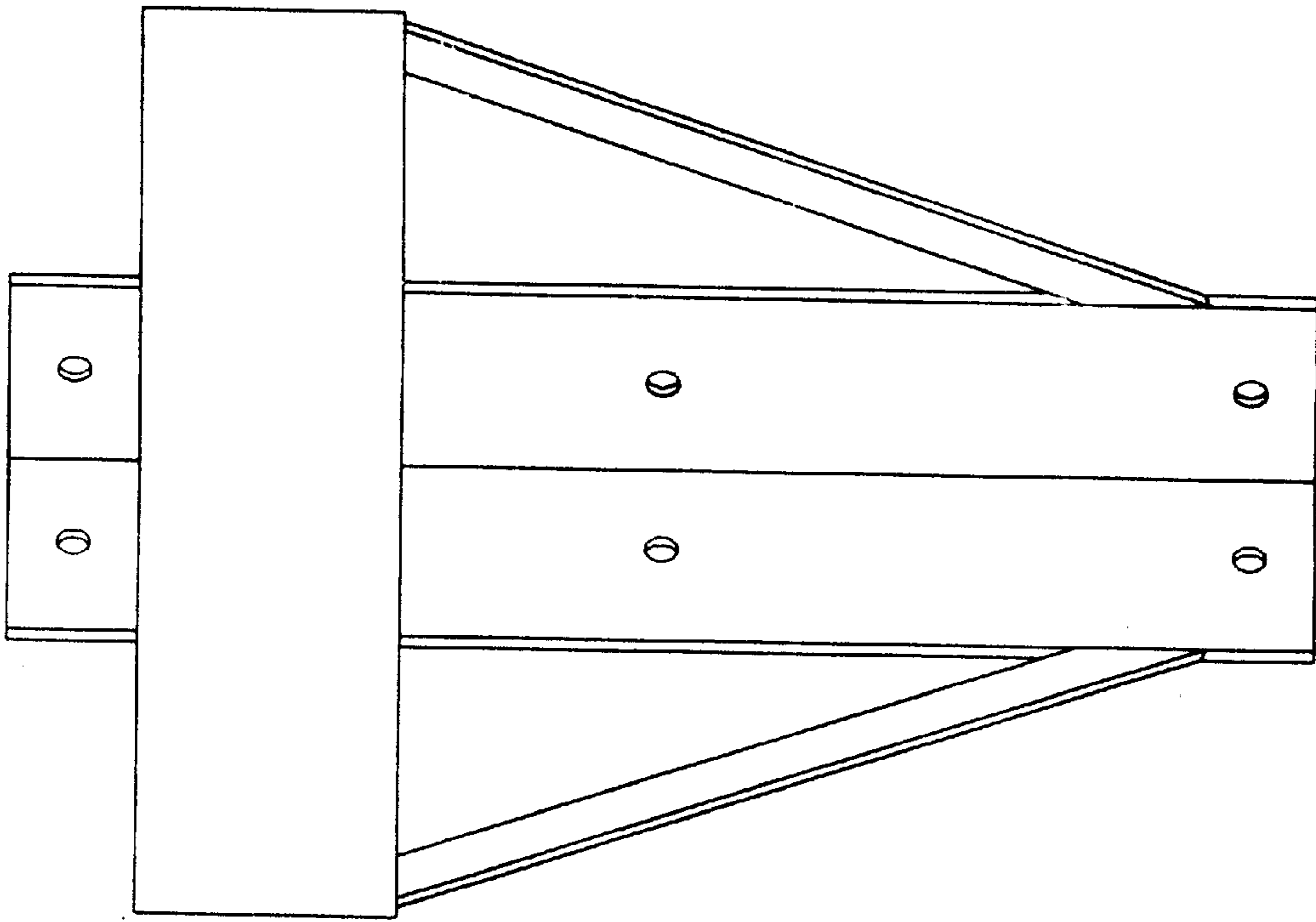


FIG. 4

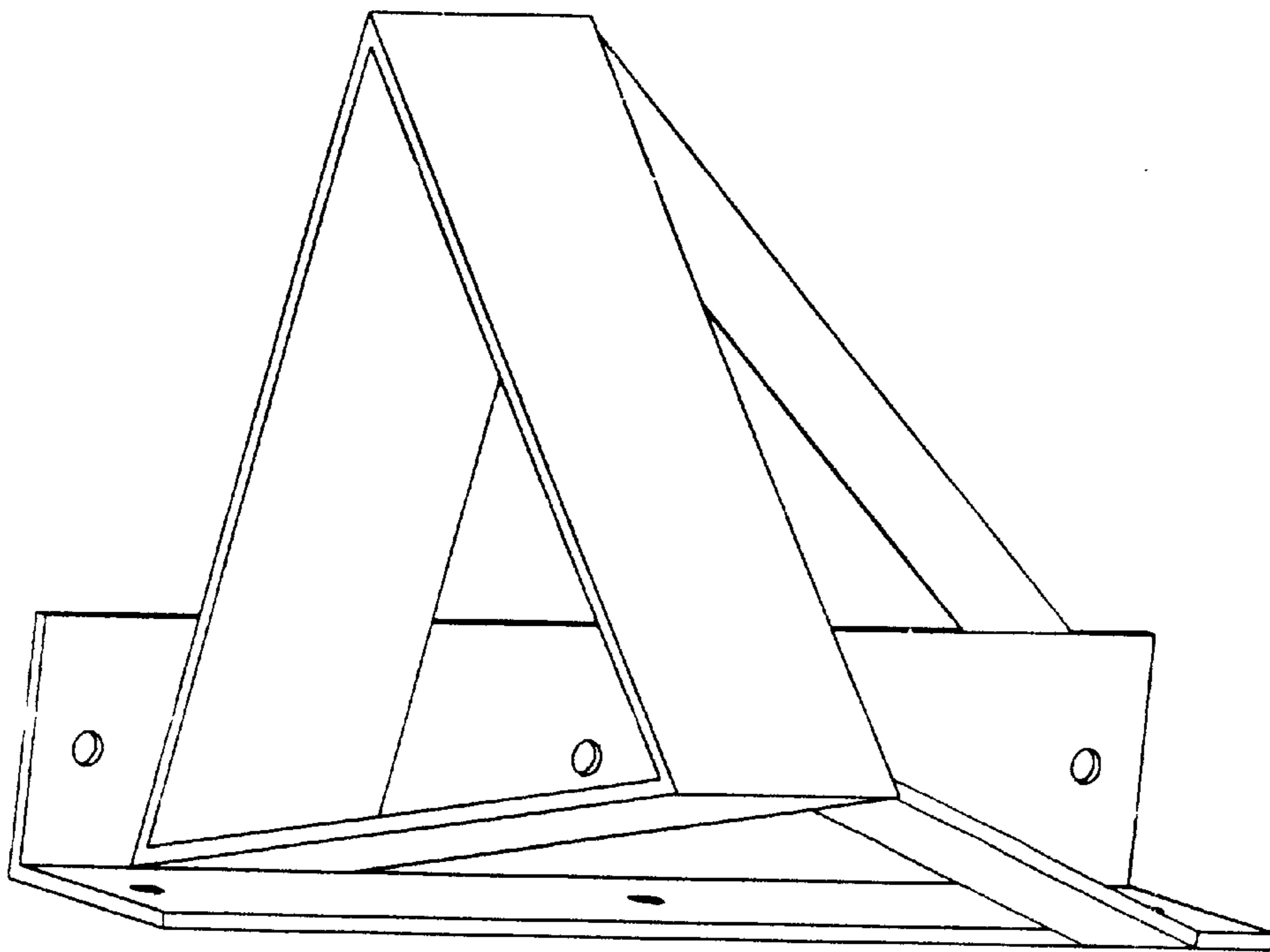


FIG. 3

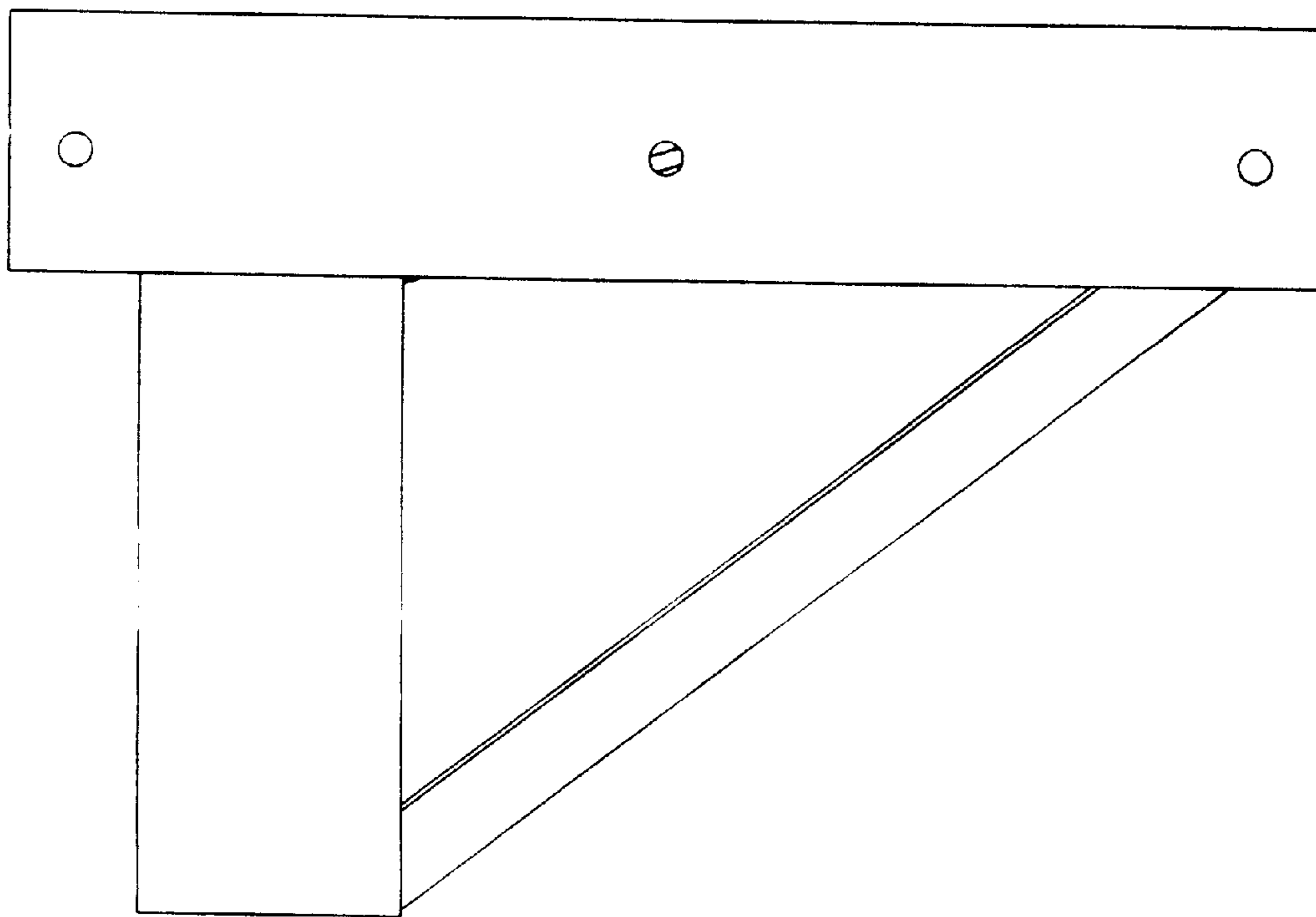


FIG. 5

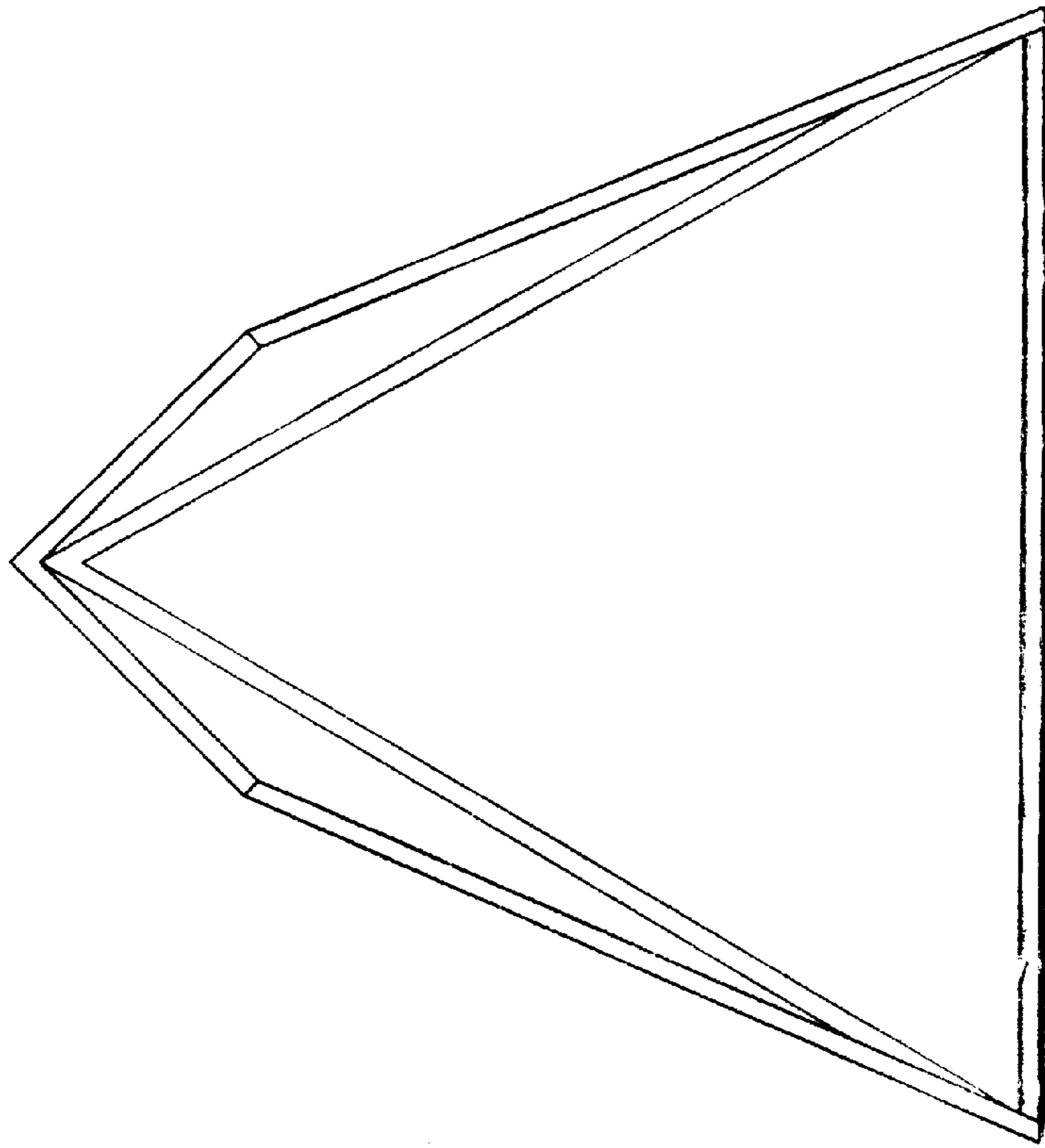


FIG. 7

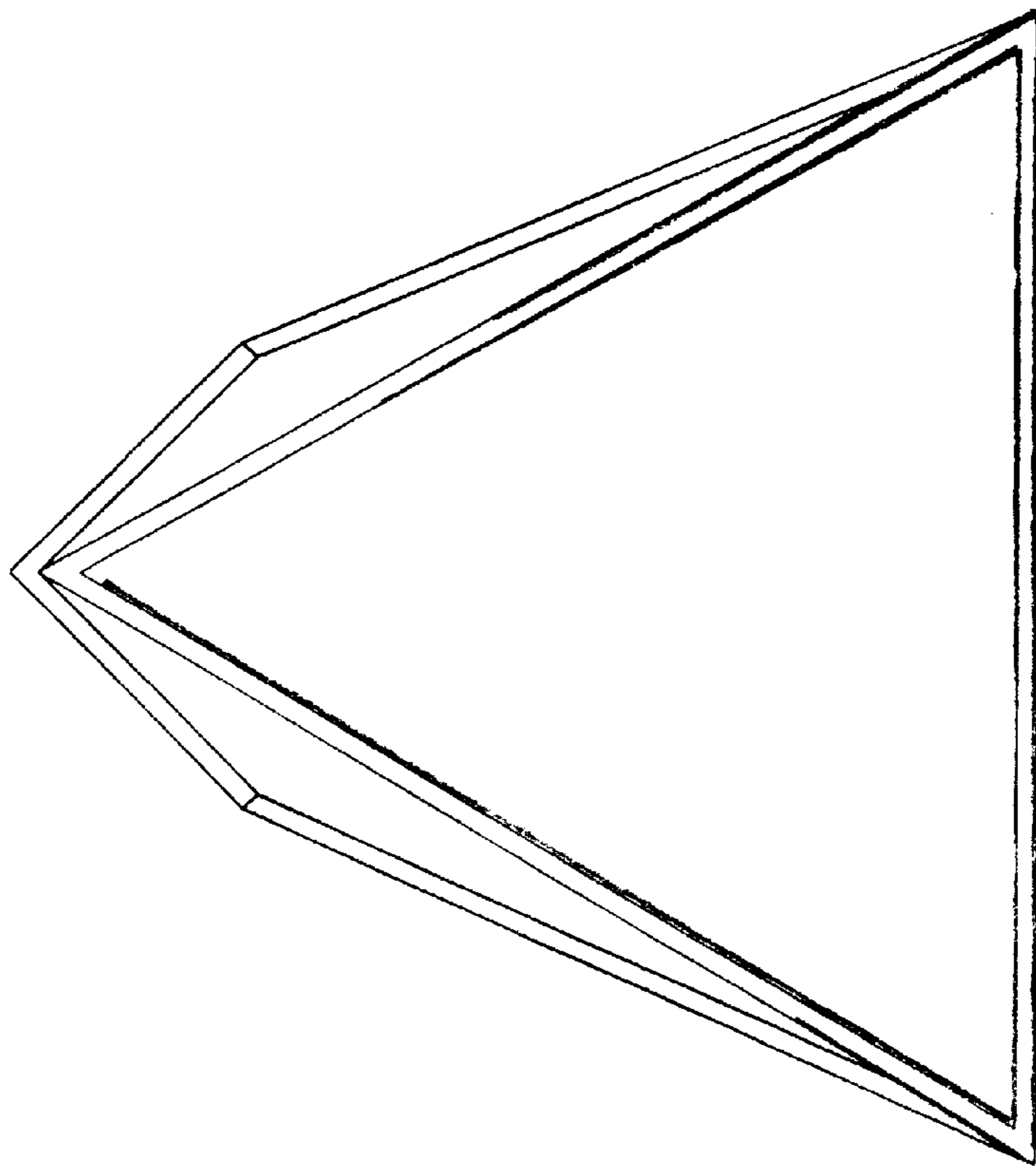


FIG. 6