



US00D476548S

(12) **United States Design Patent**
Vito

(10) **Patent No.:** **US D476,548 S**

(45) **Date of Patent:** **** Jul. 1, 2003**

(54) **HASP ENCLOSURE**

5,409,276 A * 4/1995 Engasser 292/281
D439,826 S * 4/2001 Oddy D8/336

(76) Inventor: **Robert A. Vito**, 1434 Sugartown Rd.,
Berwyn, PA (US) 19312

* cited by examiner

(**) Term: **14 Years**

Primary Examiner—Brian N. Vinson
(74) *Attorney, Agent, or Firm*—Volpe and Koenig, P.C.

(21) Appl. No.: **29/157,214**

(57) **CLAIM**

(22) Filed: **Mar. 14, 2002**

I claim a new design for a hasp enclosure, as shown and described.

Related U.S. Application Data

DESCRIPTION

(63) Continuation of application No. 10/056,871, filed on Jan. 24, 2002.

FIG. 1 is a perspective view of a hasp enclosure according to my new design;

(51) **LOC (7) Cl.** **08-07**

FIG. 2 is a front elevational view of the hasp enclosure of FIG. 1;

(52) **U.S. Cl.** **D8/346**

(58) **Field of Search** D8/343–346; 292/205, 292/281, 283, 284; 70/14, 54–56

FIG. 3 is a top plan view of the hasp enclosure of FIG. 1; FIG. 4 is a left side elevational view of the hasp enclosure of FIG. 1;

(56) **References Cited**

FIG. 5 is a right side elevational view of the hasp enclosure of FIG. 1;

U.S. PATENT DOCUMENTS

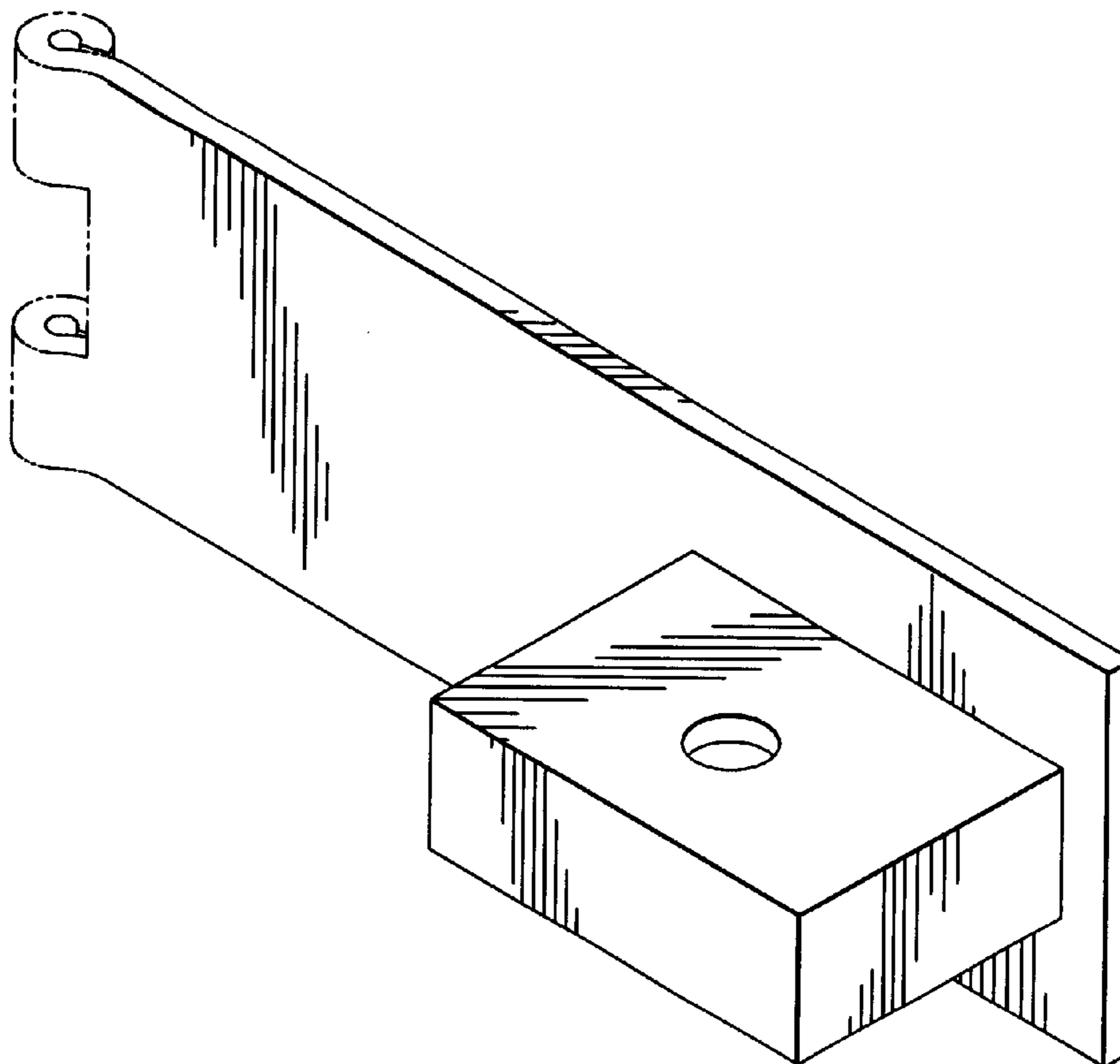
3,834,195 A	9/1974	Winkhaus	
4,535,612 A	8/1985	Seremet	
4,566,296 A	1/1986	Kochakis	
4,843,845 A	7/1989	Poe	
4,852,920 A	8/1989	DeForrest, Sr.	
D317,248 S	* 6/1991	Poe	D8/346
D329,800 S	* 9/1992	Pearson	D8/346
5,172,574 A	12/1992	Perfetto	
5,174,135 A	12/1992	Loughlin	

FIG. 6 is a rear elevational view of the hasp enclosure of FIG. 1; and,

FIG. 7 is a bottom plan view of the hasp enclosure of FIG. 1.

The phantom lines in FIGS. 1–7 represent environment and are for illustrative purposes only and do not constitute part of the claimed design.

1 Claim, 2 Drawing Sheets



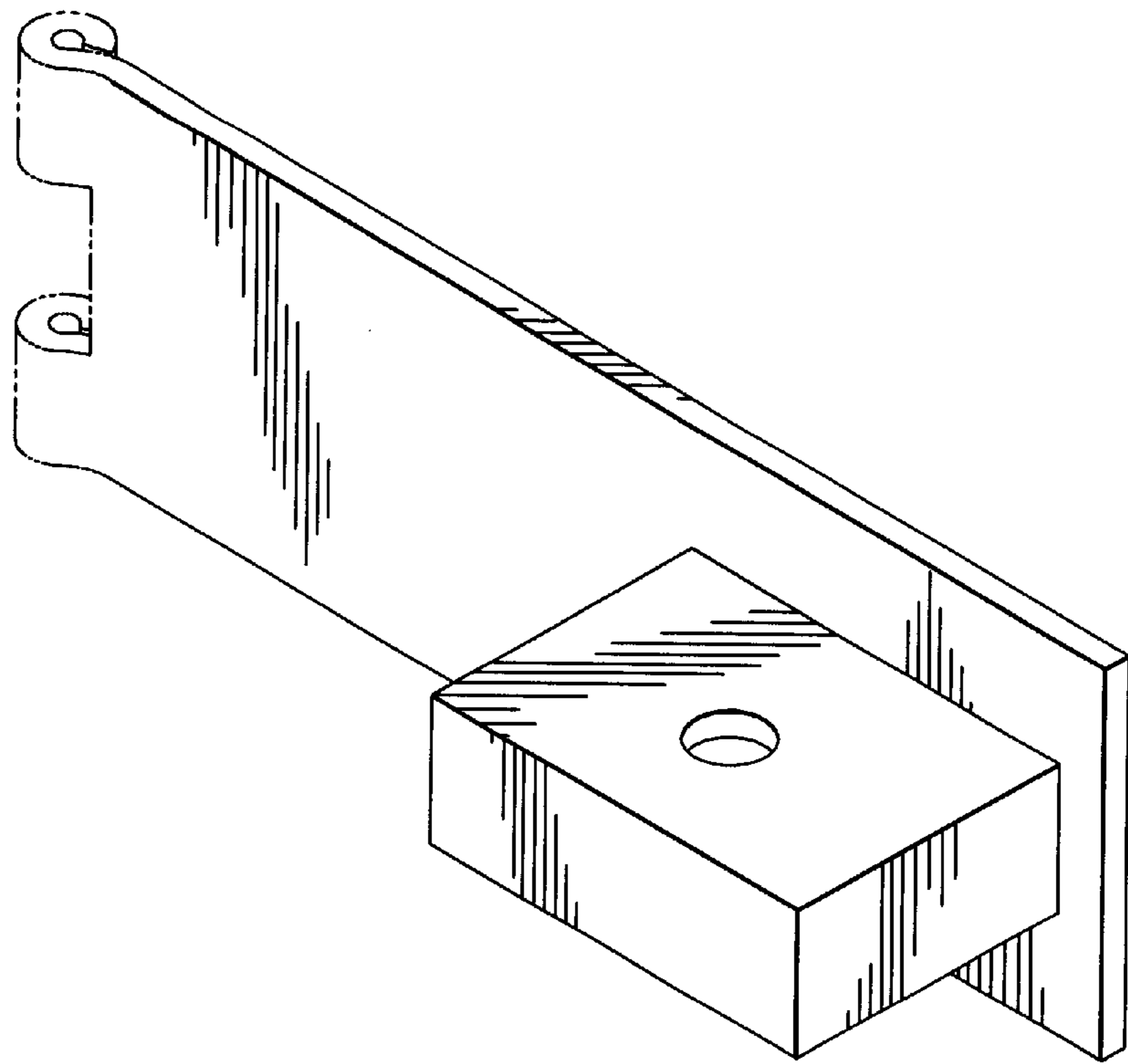


FIG. 1

FIG. 2

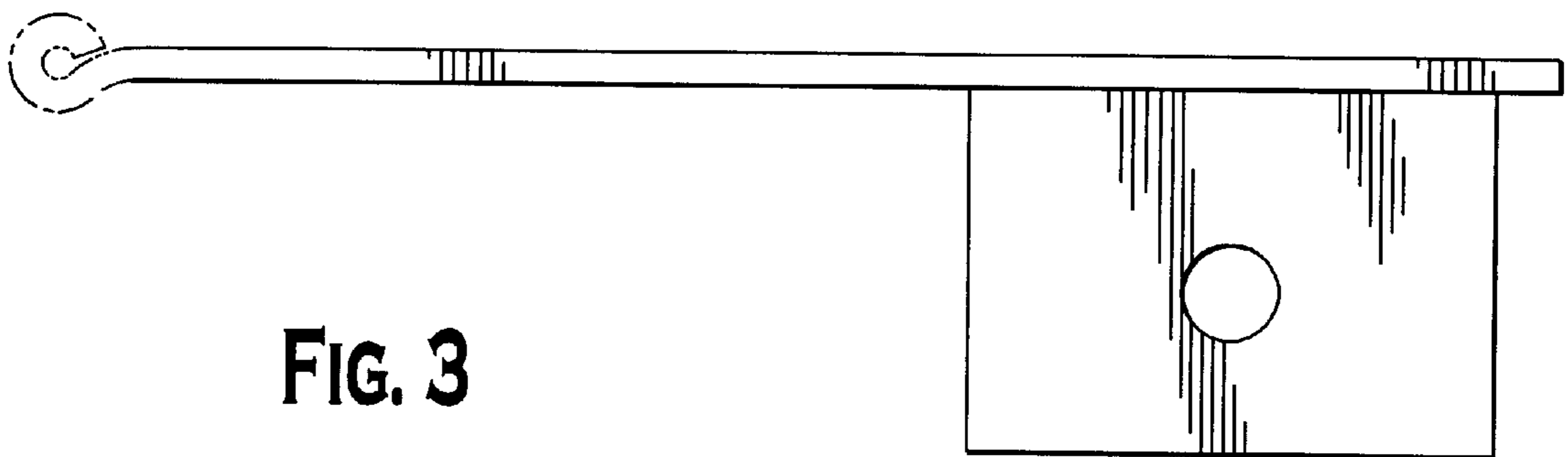
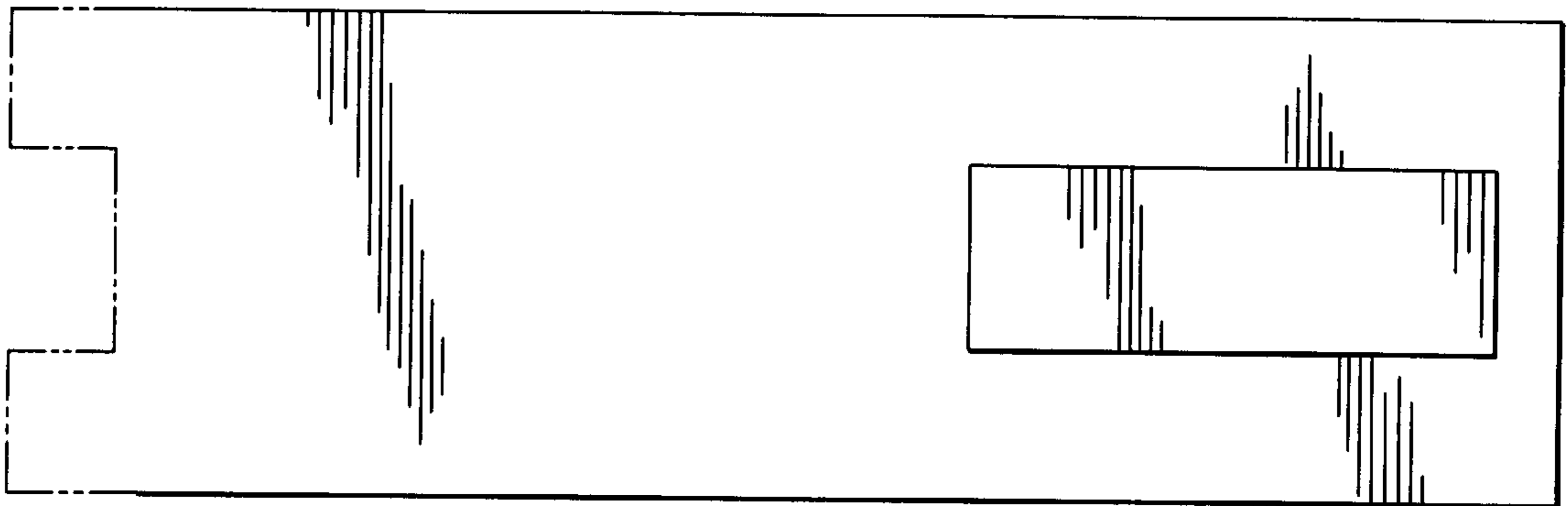


FIG. 3

FIG. 4

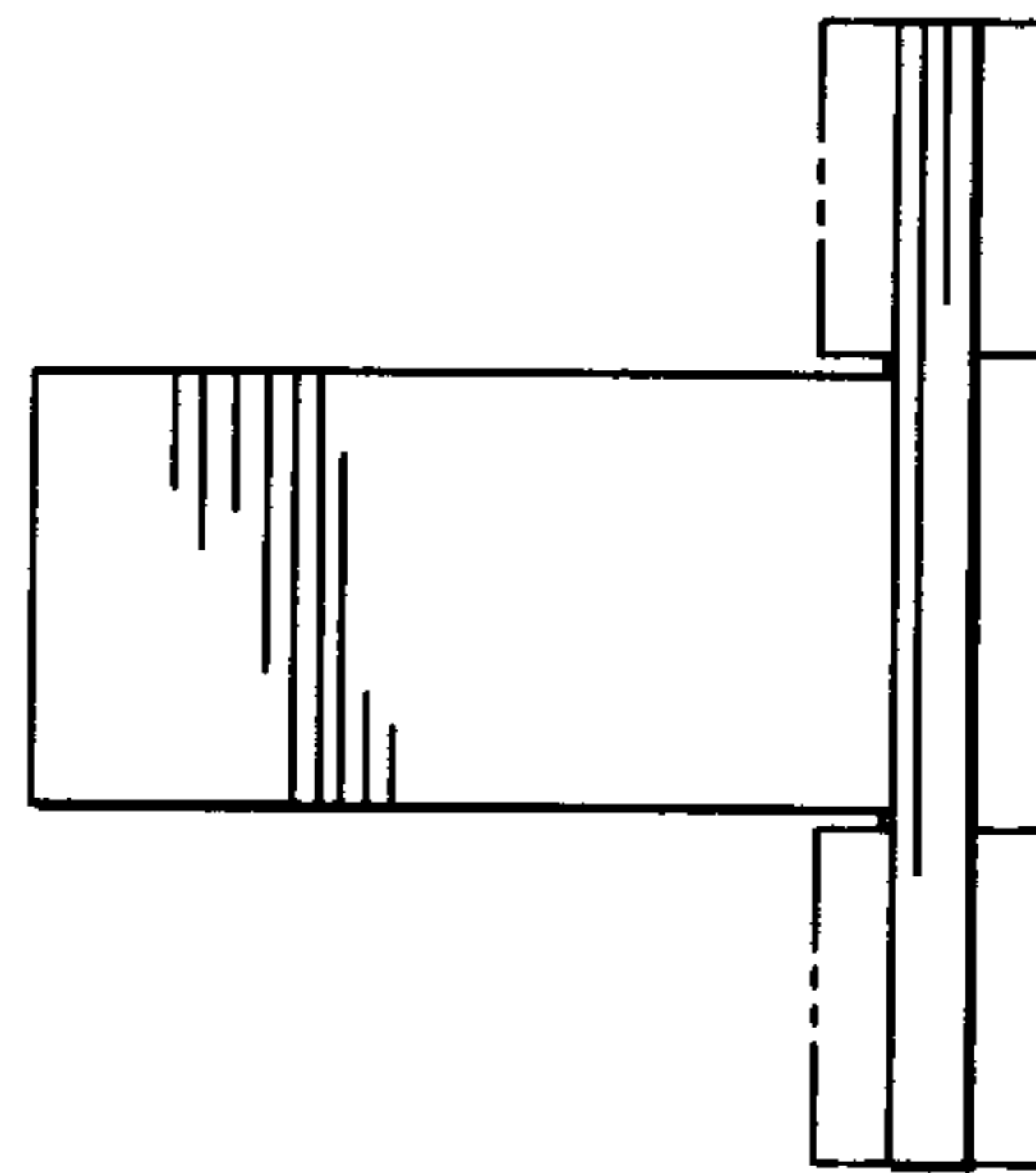


FIG. 5

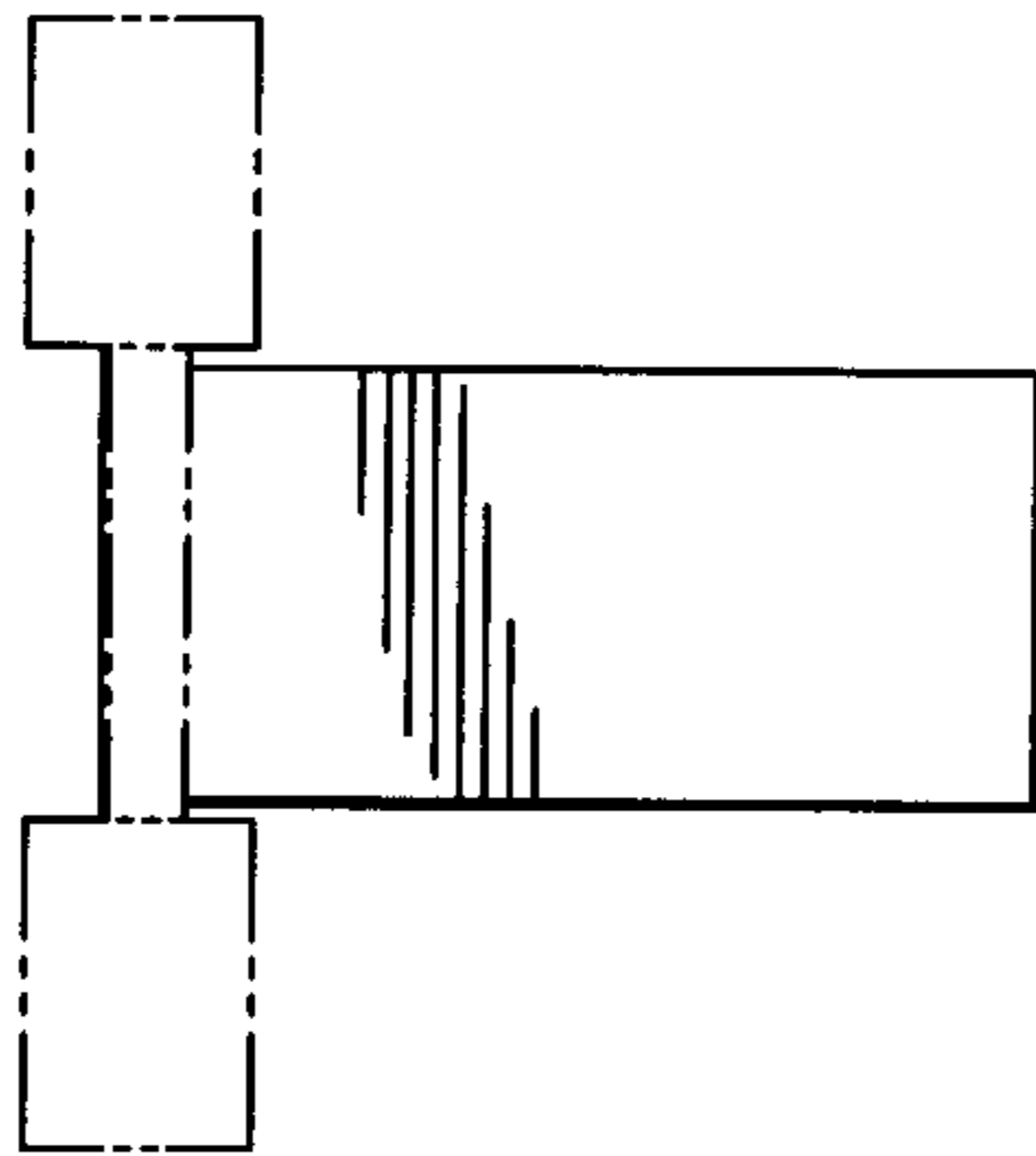


FIG. 6

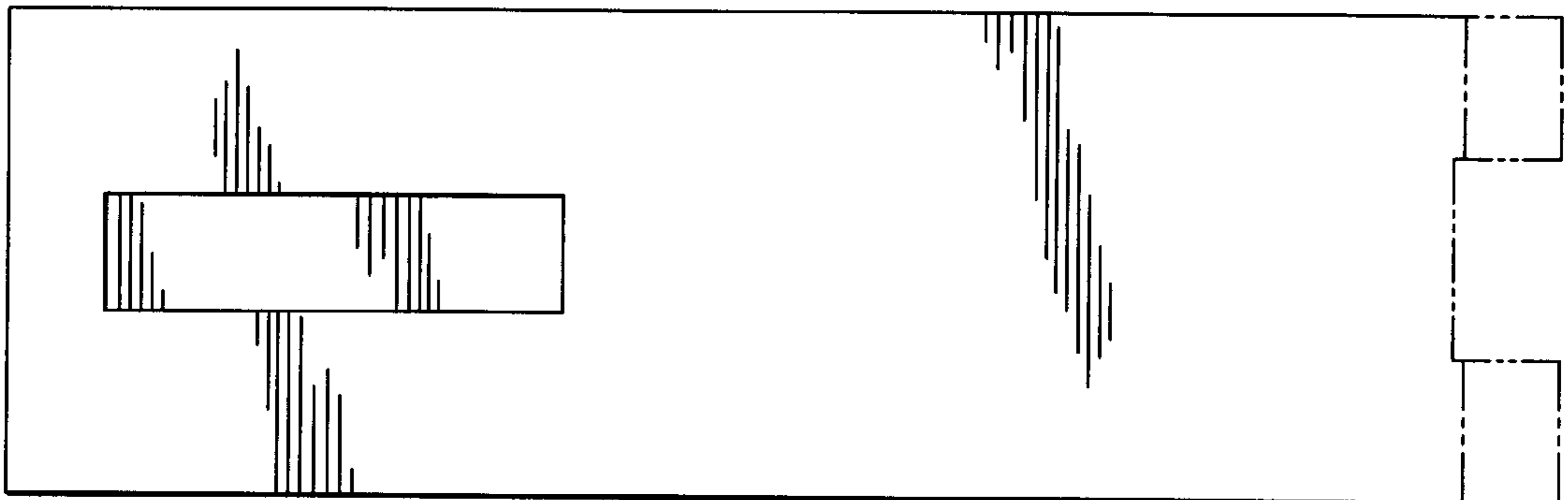


FIG. 7

