



US00D476547S

(12) **United States Design Patent**  
**Ling**

(10) **Patent No.:** **US D476,547 S**

(45) **Date of Patent:** **\*\* Jul. 1, 2003**

(54) **COMBINATION LOCK FOR PORT OF ELECTRONIC DEVICE**

5,288,241 A \* 2/1994 Davidge et al. .... 70/57 X

\* cited by examiner

(76) **Inventor:** **Renny Tse-Haw Ling**, 3F, No. 2, Lane 93, Chien-I Road, Chung-Ho City, Taipei Hsien (TW)

*Primary Examiner*—Brian N. Vinson

(74) *Attorney, Agent, or Firm*—Rosenberg, Klein & Lee

(\*\*) **Term:** **14 Years**

(57) **CLAIM**

The ornamental design for a combination lock for port of electronic device, as shown.

(21) **Appl. No.:** **29/155,497**

**DESCRIPTION**

(22) **Filed:** **Feb. 13, 2002**

(51) **LOC (7) Cl.** ..... **08-07**

(52) **U.S. Cl.** ..... **D8/330**

(58) **Field of Search** ..... D8/330, 331, 343;  
70/14, 57, 57.1, 58, 158, 163, 174; D14/432,  
433

FIG. 1 is a front right perspective view of a combination lock for port of electronic device showing my new design; FIG. 2 is a front perspective view thereof; FIG. 3 is a rear perspective view thereof; FIG. 4 is a left side elevation view thereof; FIG. 5 is a right side elevation view thereof; FIG. 6 is a top plan view thereof; FIG. 7 is a bottom plan view thereof; and, FIG. 8 is an exploded right front perspective view thereof.

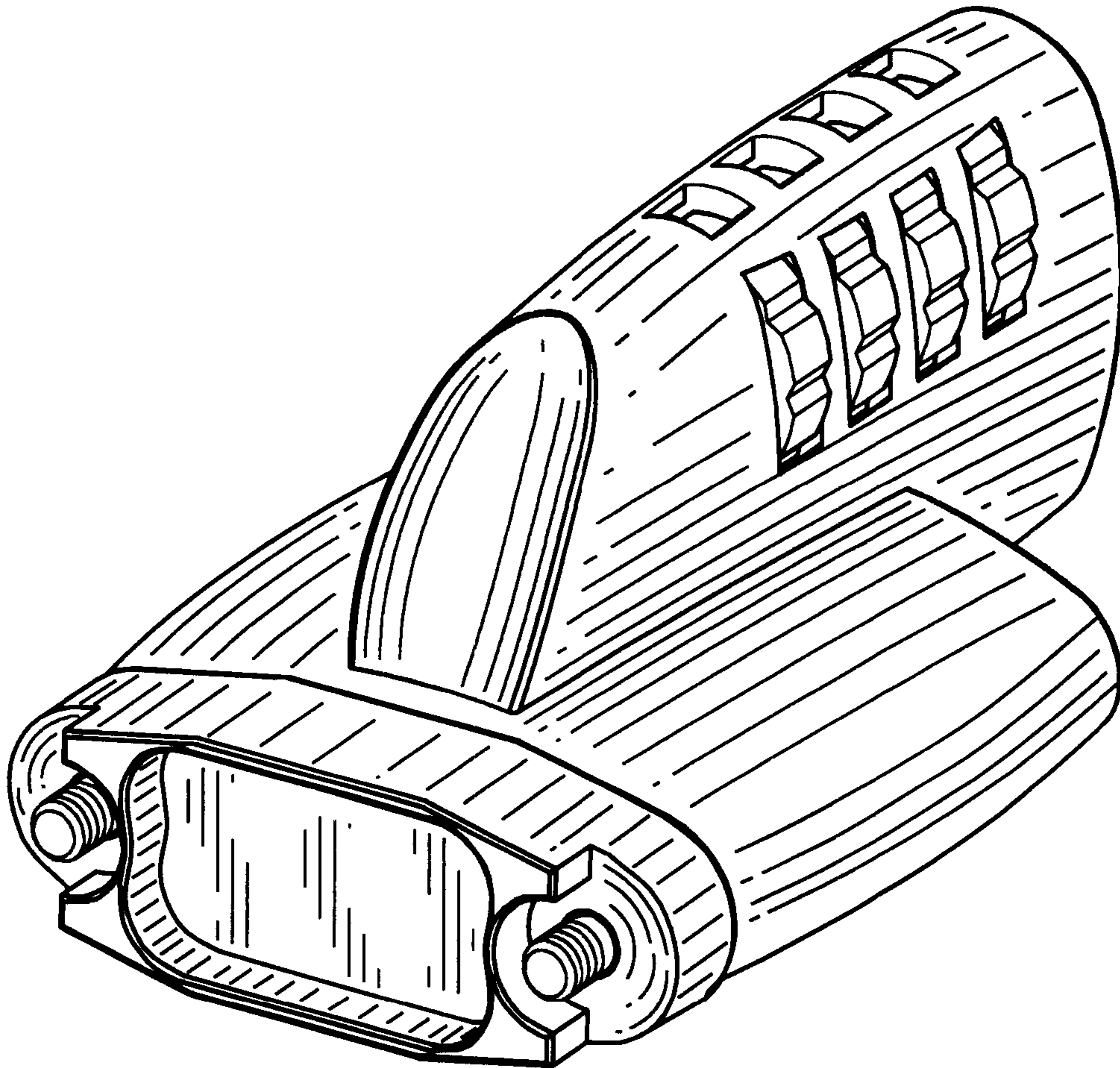
(56) **References Cited**

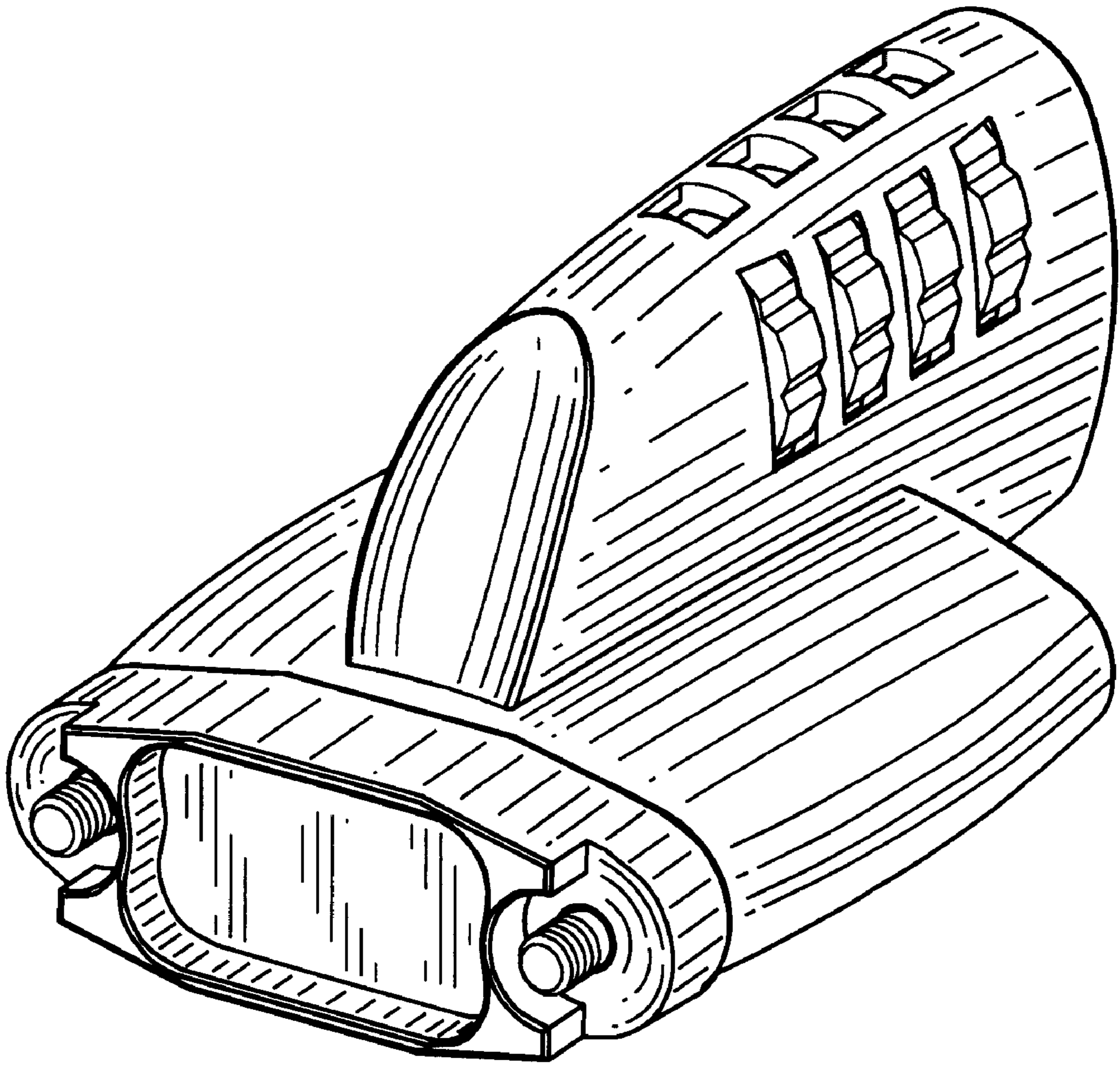
**U.S. PATENT DOCUMENTS**

4,556,270 A \* 12/1985 Schutzle et al. .... 70/57 X

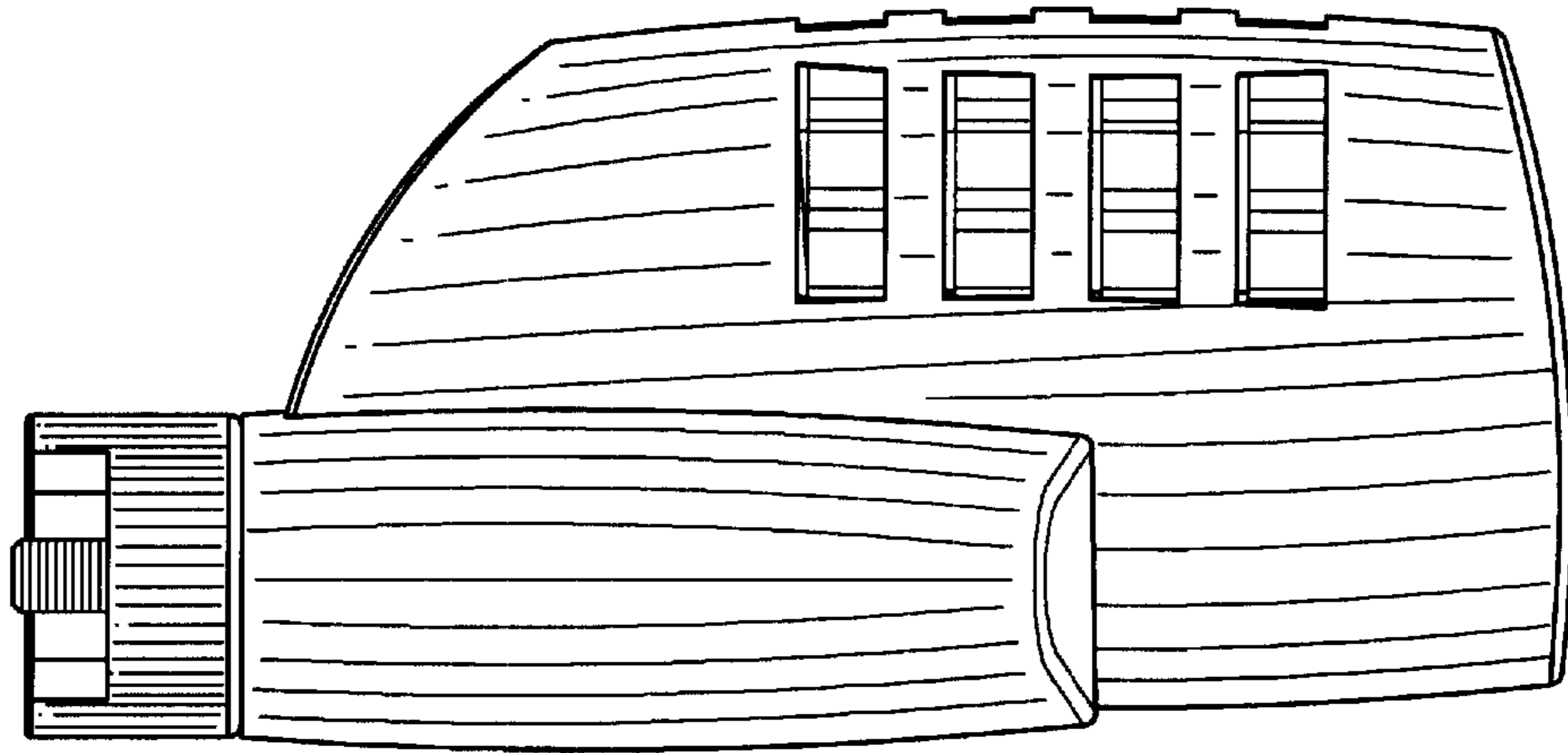
4,669,281 A \* 6/1987 Young ..... 70/57

**1 Claim, 5 Drawing Sheets**

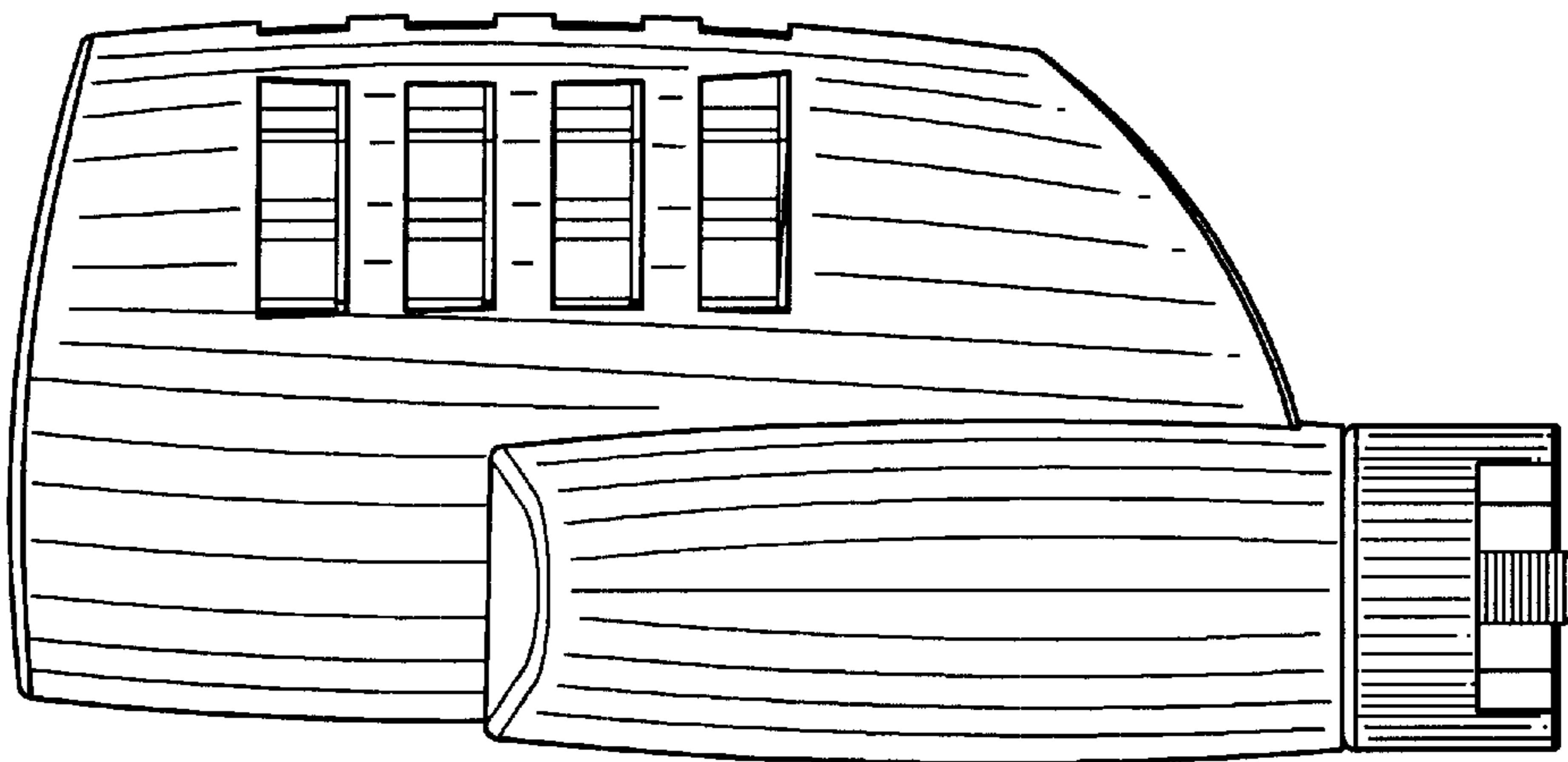




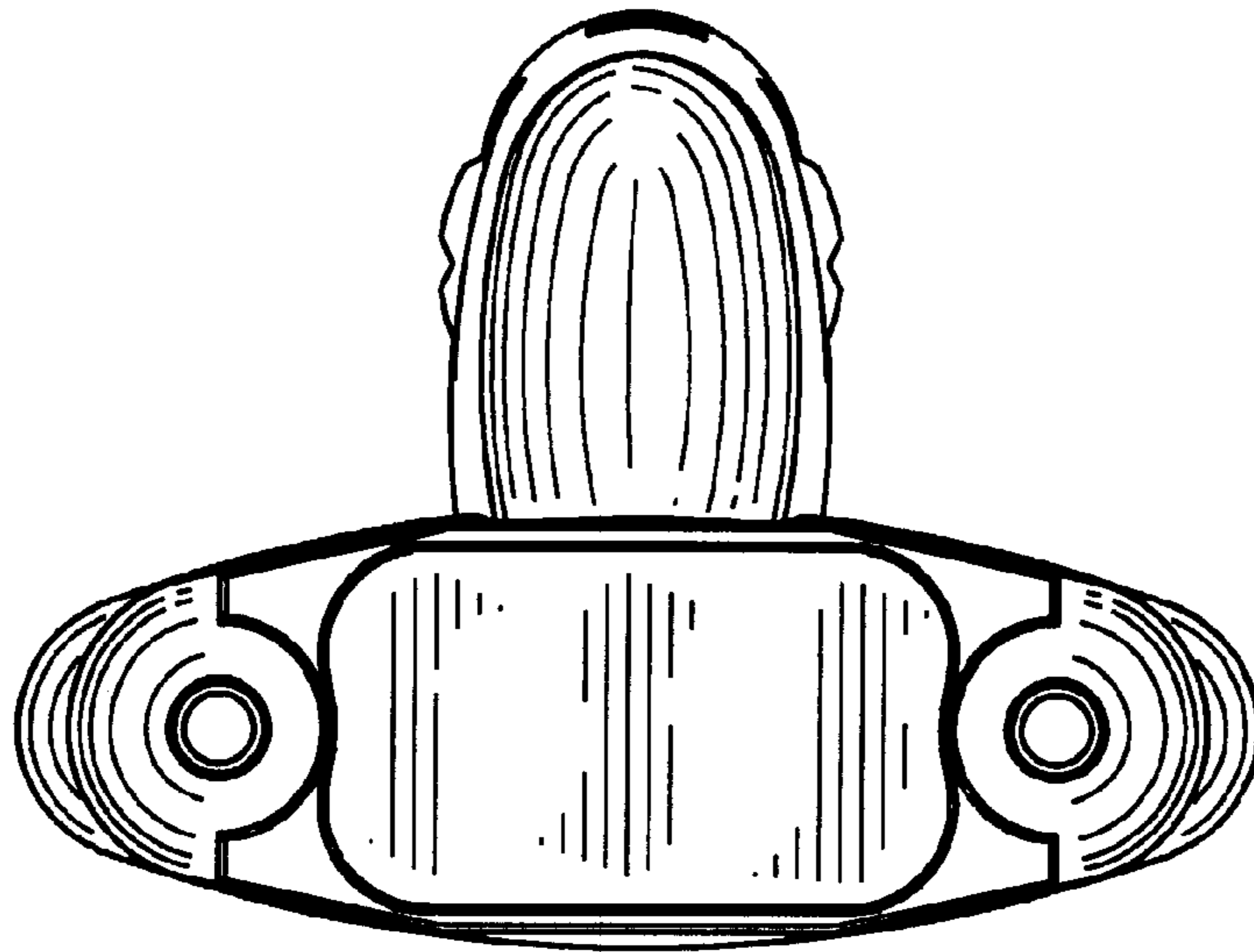
***FIG. 1***



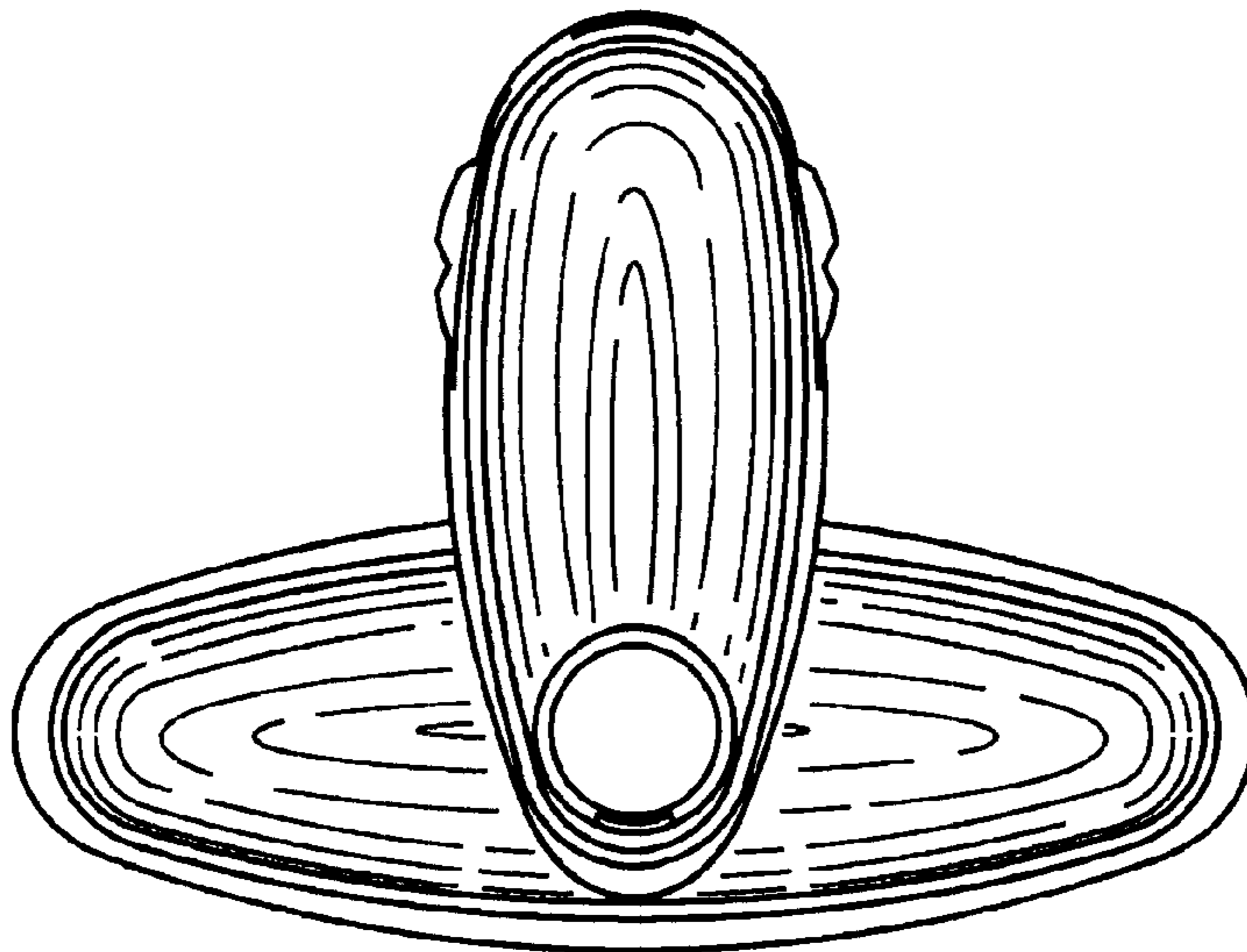
**FIG. 2**



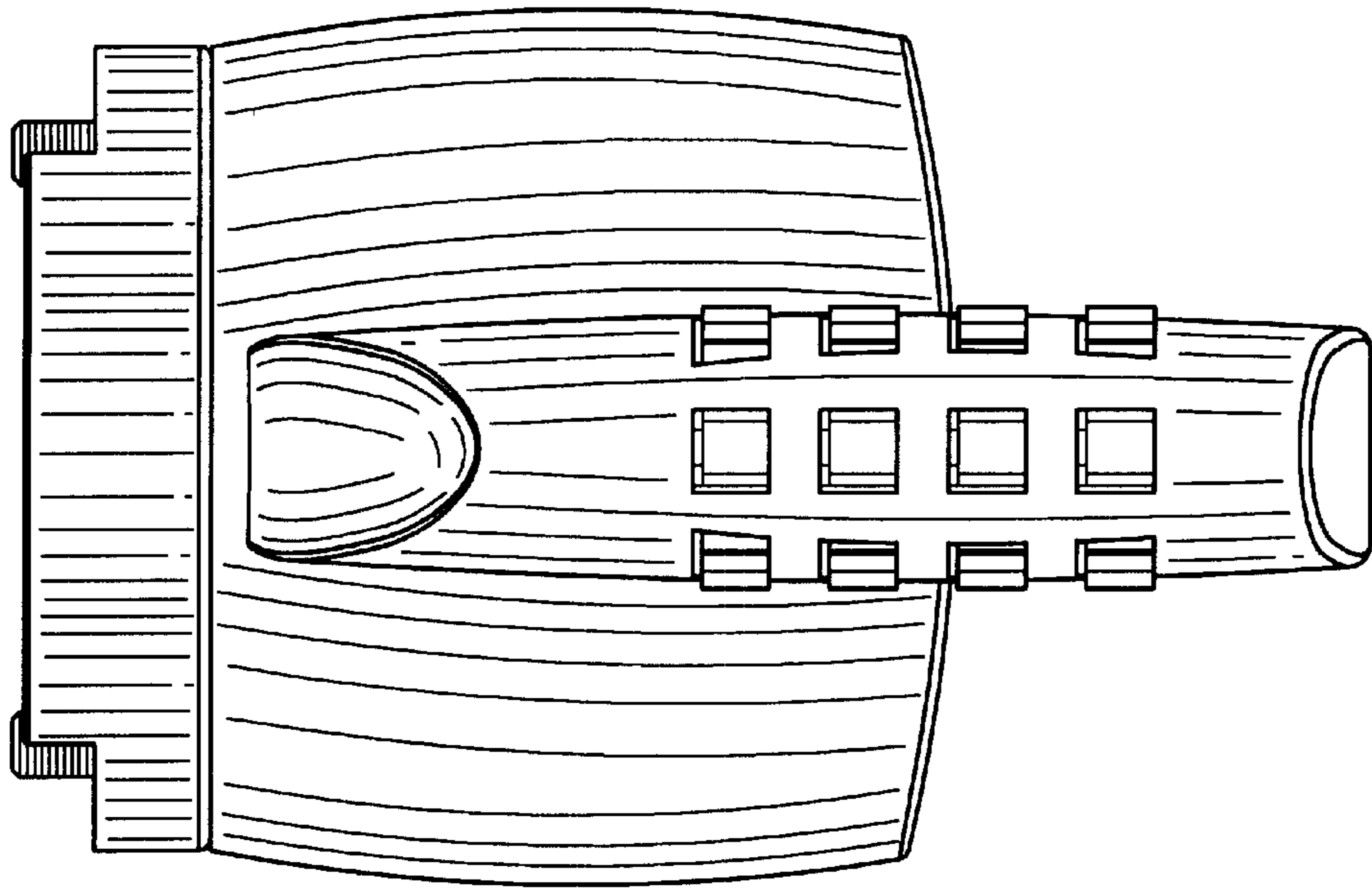
**FIG. 3**



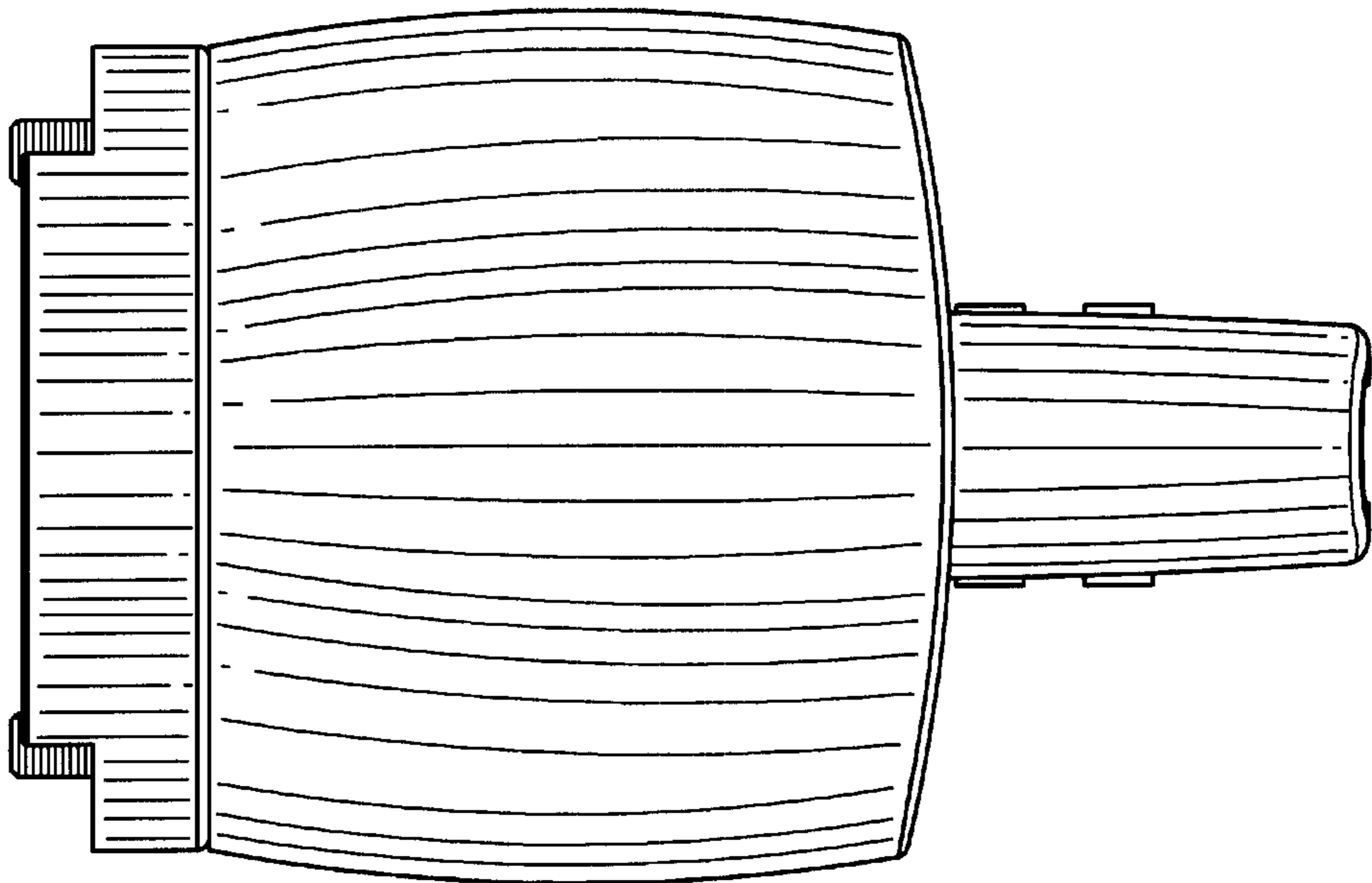
***FIG. 4***



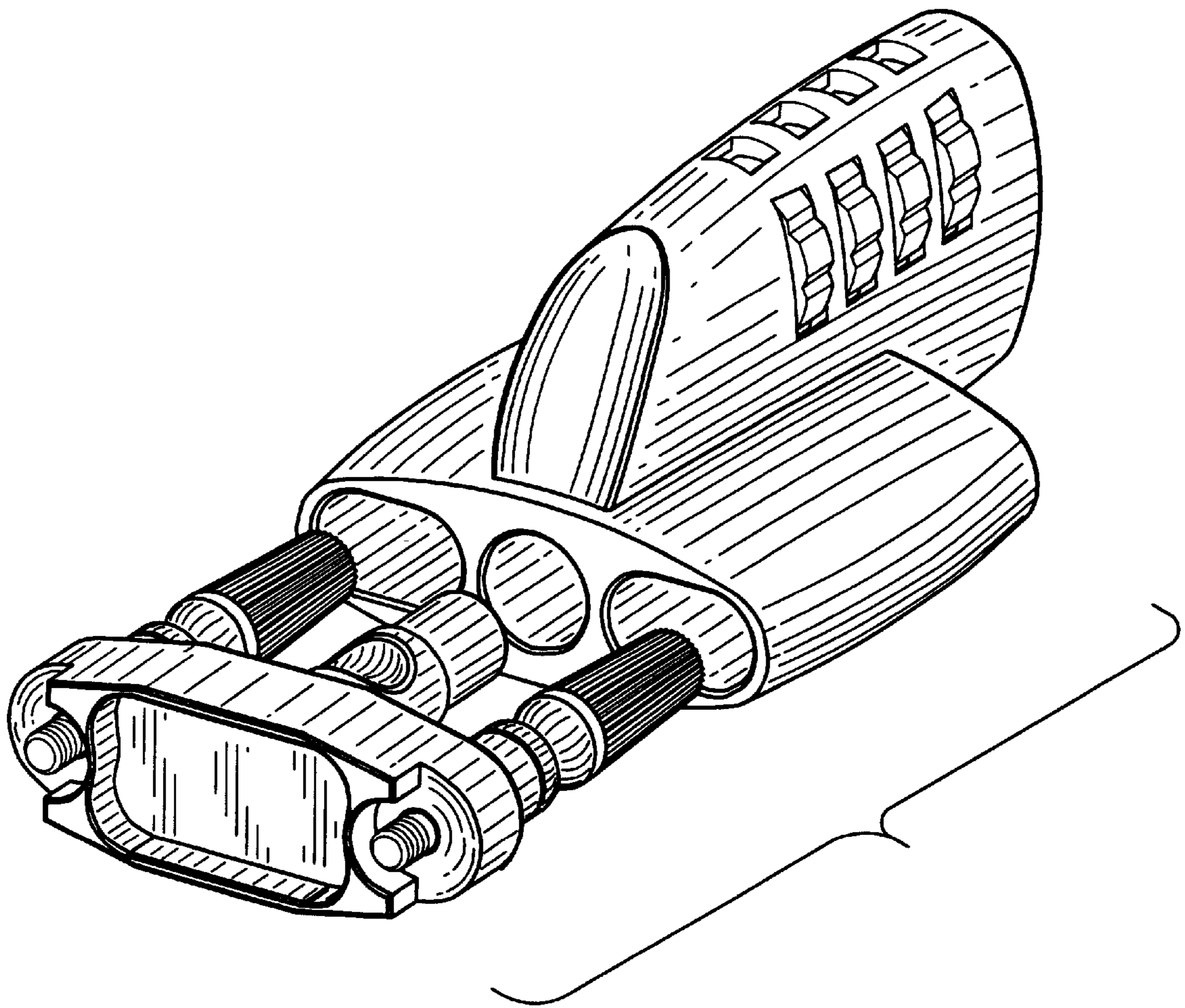
***FIG. 5***



**FIG. 6**



**FIG. 7**



***FIG. 8***