



US00D476544S

(12) **United States Design Patent**
Ghode et al.

(10) **Patent No.: US D476,544 S**

(45) **Date of Patent: ** Jul. 1, 2003**

(54) **POWER TOOL**

(75) Inventors: **Anil P. Ghode**, Libertyville, IL (US);
Kenneth C. Happ, Burlington, WI
(US); **Martin S. Scolaro**, Burlington,
WI (US); **Scott H. Micoley**, Cedarburg,
WI (US)

(73) Assignee: **Snap-On Technologies, Inc.**,
Lincolnshire, IL (US)

(**) Term: **14 Years**

(21) Appl. No.: **29/170,018**

(22) Filed: **Oct. 30, 2002**

(51) **LOC (7) Cl. 08-05**

(52) **U.S. Cl. D8/68**

(58) **Field of Search** D8/61, 62, 63,
D8/64, 65, 66, 67, 68, 69, 70; 81/57.11,
429, 464, 465, 466, 469, 489; 173/13, 169,
178, 213, 217; 227/8, 114, 120, 130, 136,
142; 310/50; 408/20, 124, 125, 234, 241 R;
451/358

(56) **References Cited**

U.S. PATENT DOCUMENTS

D315,855 S * 4/1991 Fushiya et al. D8/68

D320,917 S * 10/1991 Fushiya et al. D8/68
D339,046 S * 9/1993 Fushiya et al. D8/68
D342,430 S * 12/1993 Saito et al. D8/68
D392,863 S * 3/1998 Sugimoto et al. D8/68
D424,902 S * 5/2000 Gildersleeve et al. D8/68
D437,761 S * 2/2001 Okumura et al. D8/68

* cited by examiner

Primary Examiner—Doris V. Coles

Assistant Examiner—T. Chase Nelson

(74) *Attorney, Agent, or Firm*—Barnes & Thornburg

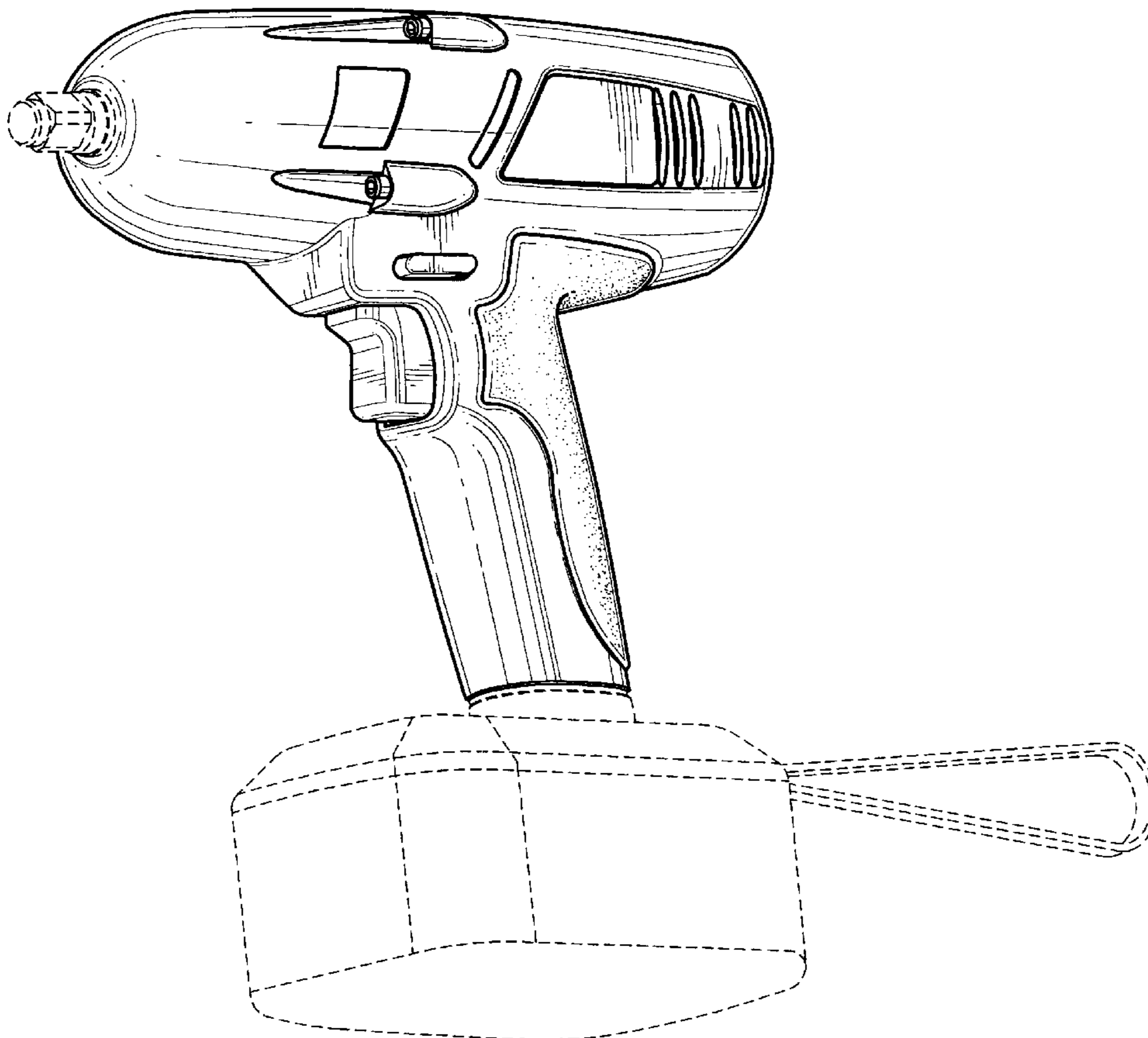
(57) **CLAIM**

The ornamental design for a power tool, as shown and described.

DESCRIPTION

FIG. 1 is a perspective view of the power tool;
FIG. 2 is a left side view thereof of the power tool, the right
side view is not shown as it is a mirror image of the left side
view;
FIG. 3 is a top plan view thereof;
FIG. 4 is a bottom plan view thereof;
FIG. 5 is a front elevational view thereof; and,
FIG. 6 is a rear elevational view thereof.
The broken lines are shown in the views for illustrative
purposes only and form no part of the claimed invention.

1 Claim, 3 Drawing Sheets



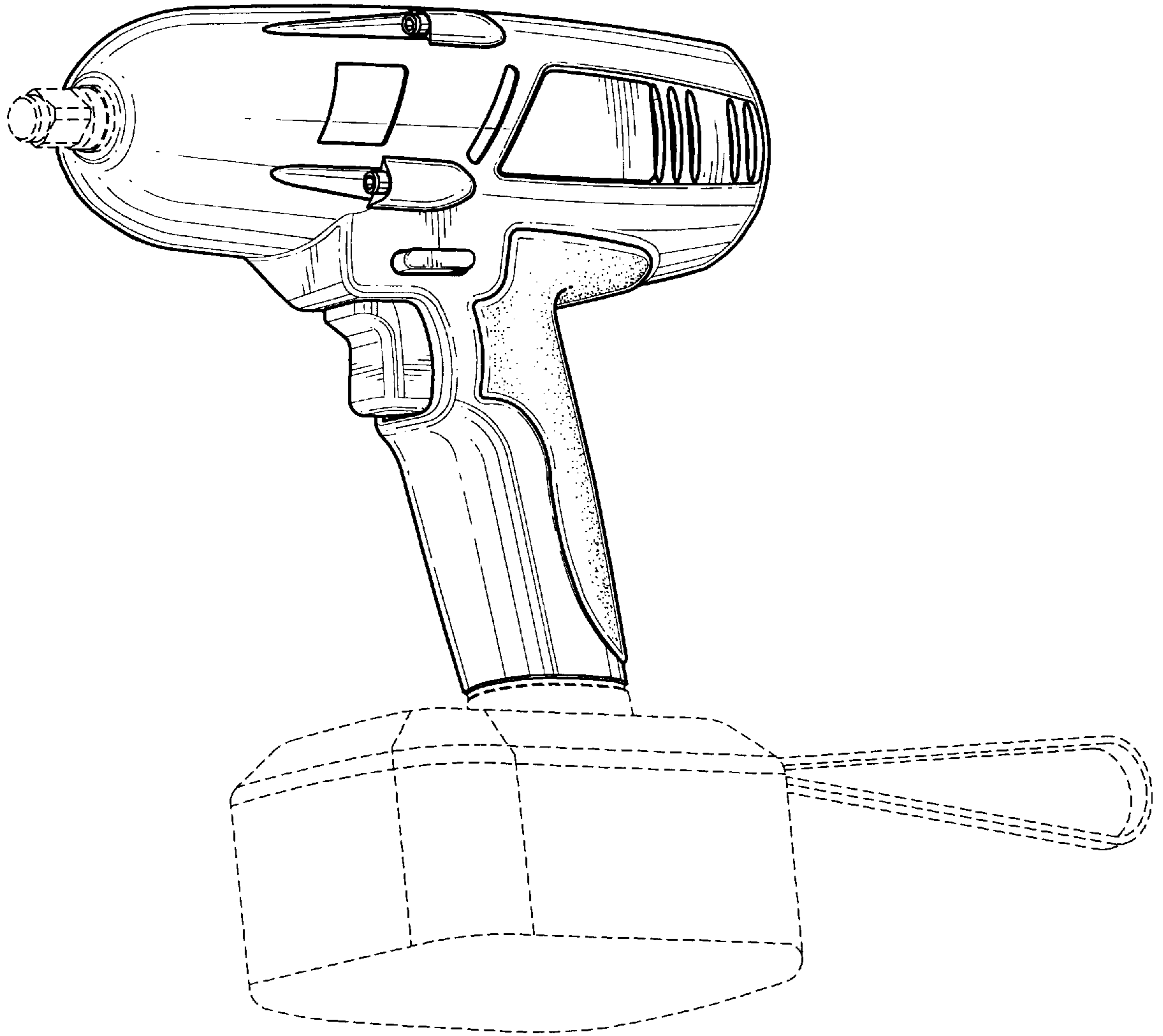


FIG. 1

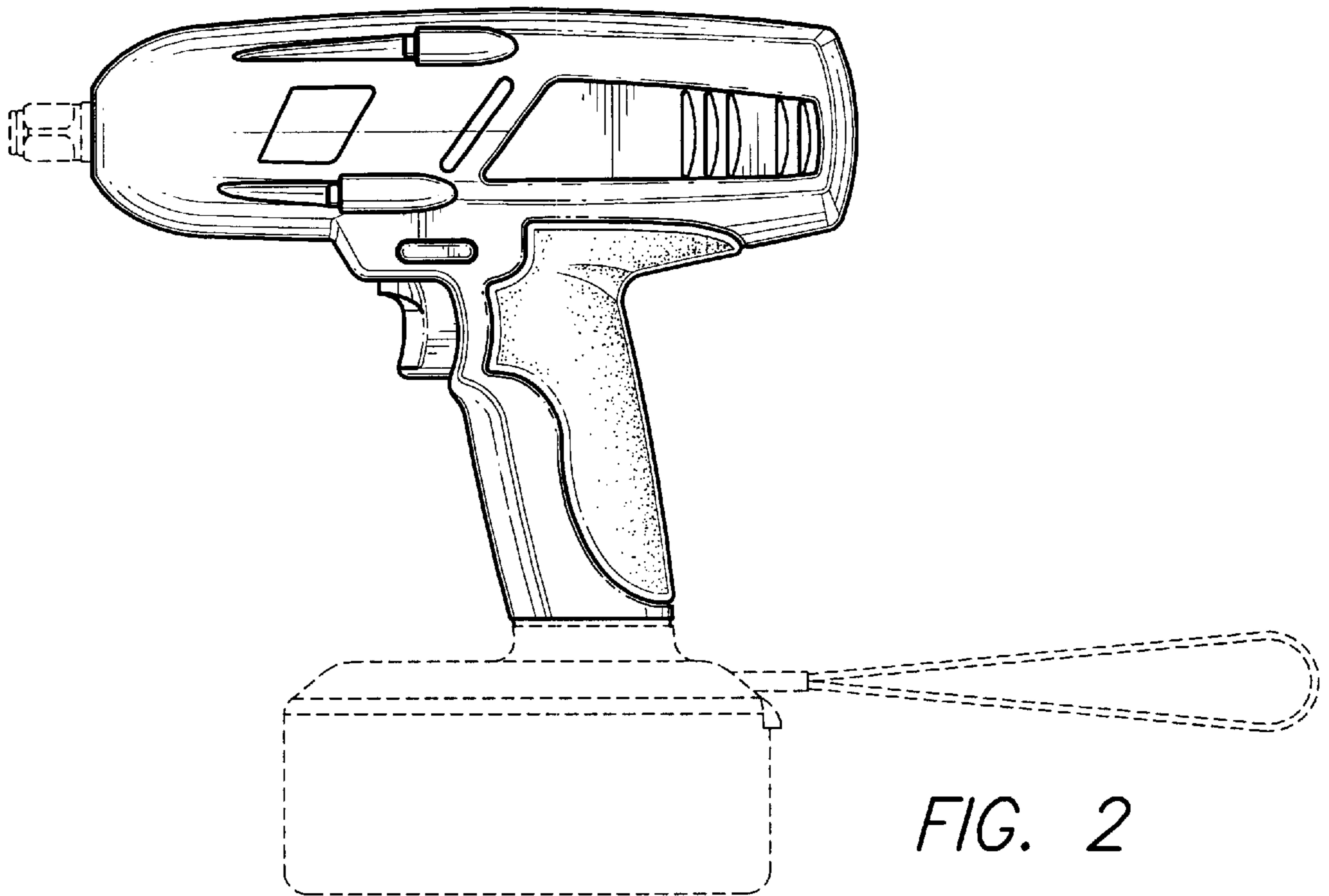


FIG. 2

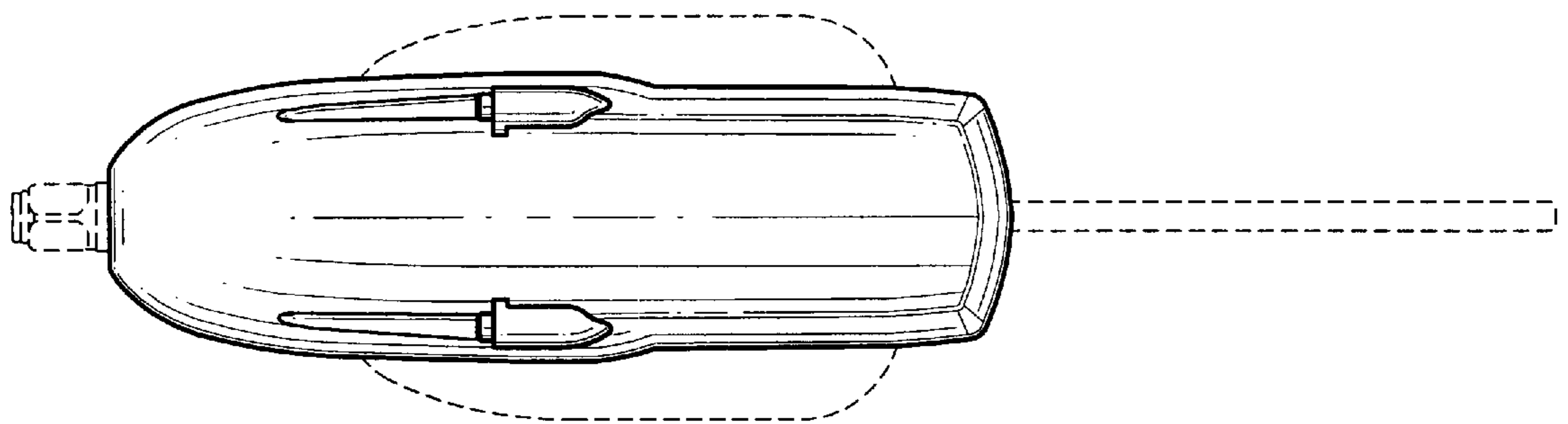


FIG. 3

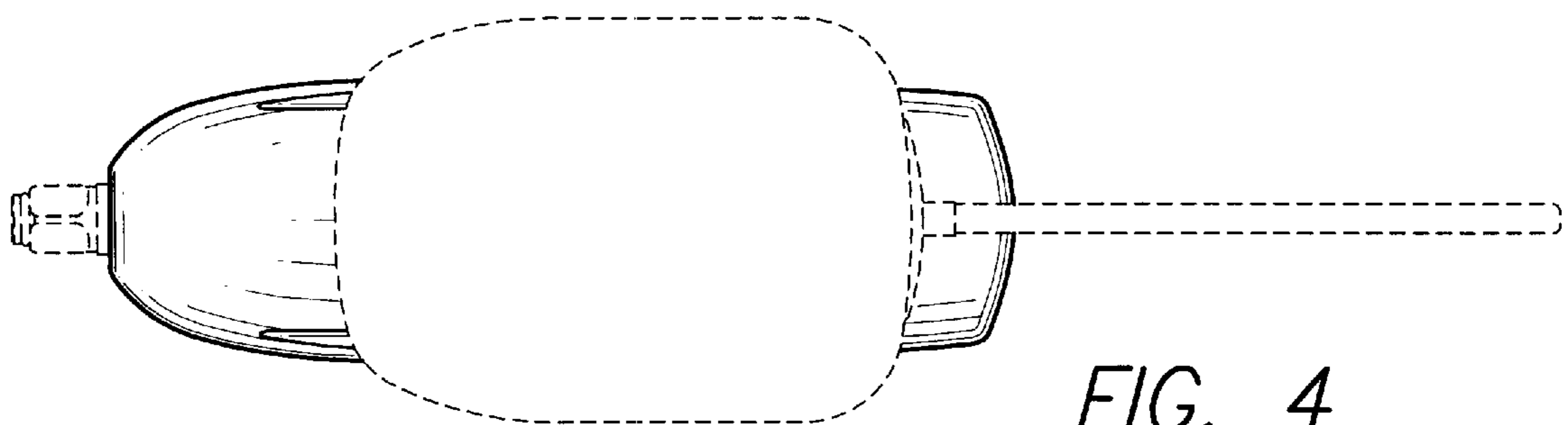


FIG. 4

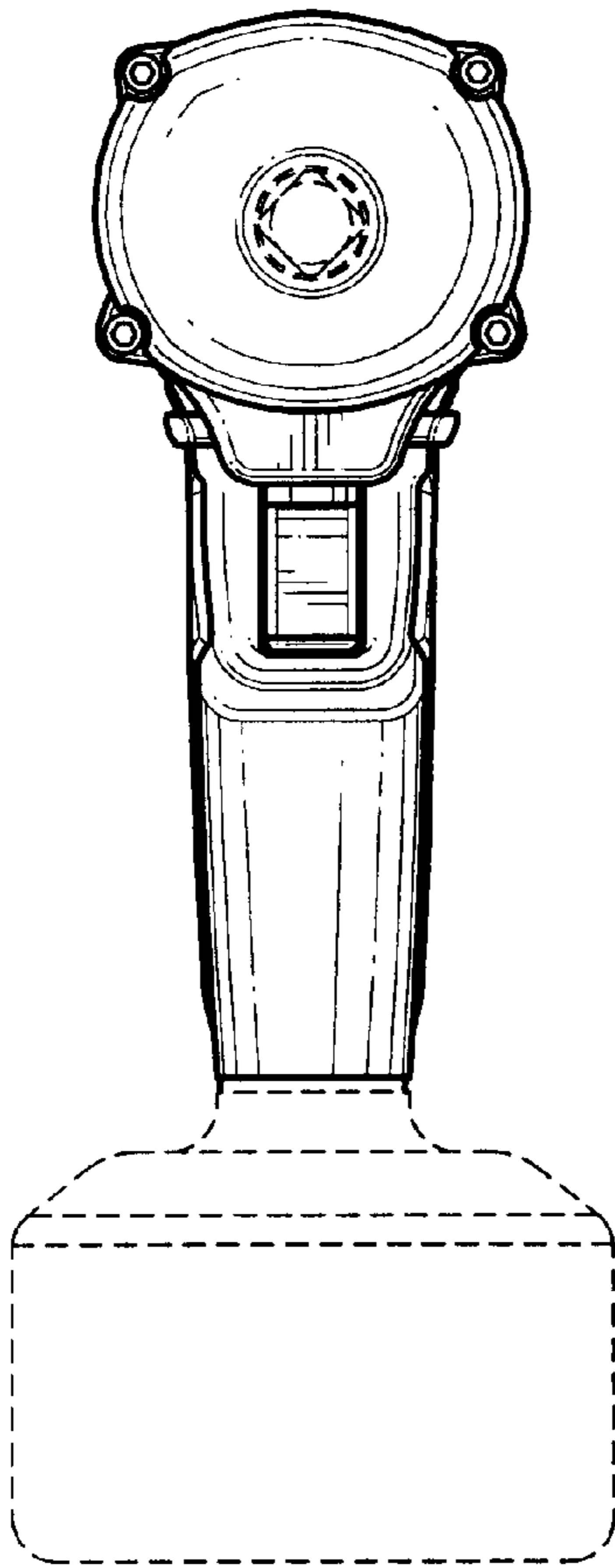


FIG. 5

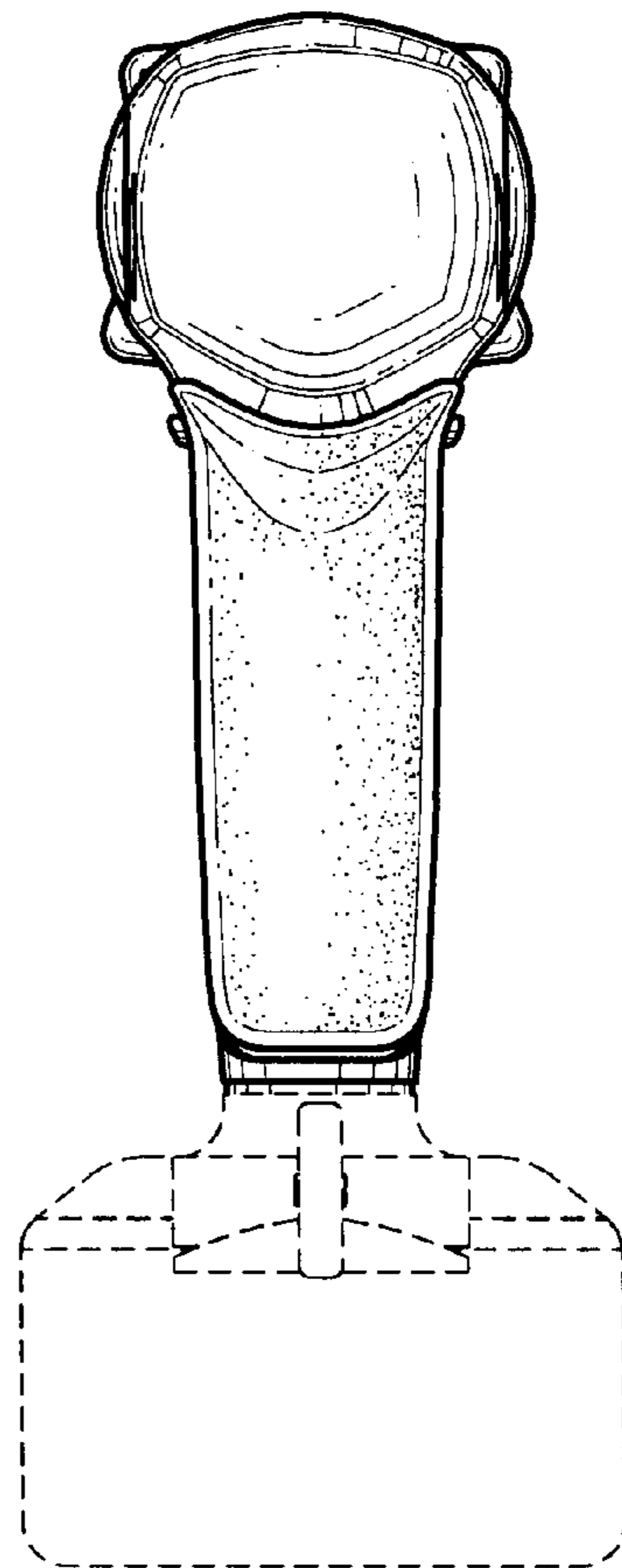


FIG. 6