



US00D476543S

(12) **United States Design Patent**
Wu

(10) **Patent No.:** **US D476,543 S**

(45) **Date of Patent:** **** Jul. 1, 2003**

(54) **PALM SANDER**

(75) Inventor: **ChengChao Wu**, Suzhou (CN)

(73) Assignee: **Positec Power Tools (Suzhou) Co., Ltd.** (CN)

(**) Term: **14 Years**

(21) Appl. No.: **29/170,705**

(22) Filed: **Nov. 12, 2002**

(30) **Foreign Application Priority Data**

May 21, 2002 (CN) 02318607

(51) **LOC (7) Cl.** **08-01**

(52) **U.S. Cl.** **D8/62**

(58) **Field of Search** D8/61, 62, 67,
D8/69; 173/168, 169, 170, 171, 217; 310/47,
50; 451/344, 351, 355, 356, 357, 358, 359,
451, 453, 456

(56) **References Cited**

U.S. PATENT DOCUMENTS

D351,976 S * 11/1994 Morey et al. D8/62

D376,304 S * 12/1996 Clowers et al. D8/62

D392,861 S * 3/1998 Gildersleeve et al. D8/62

D408,245 S * 4/1999 Evans et al. D8/62

D442,839 S * 5/2001 Cieri et al. D8/62

D448,262 S * 9/2001 Heun D8/62

* cited by examiner

Primary Examiner—Doris V. Coles

Assistant Examiner—Elizabeth A. Albert

(74) *Attorney, Agent, or Firm*—Procopio, Cory, Hargreaves & Savitch, LLP

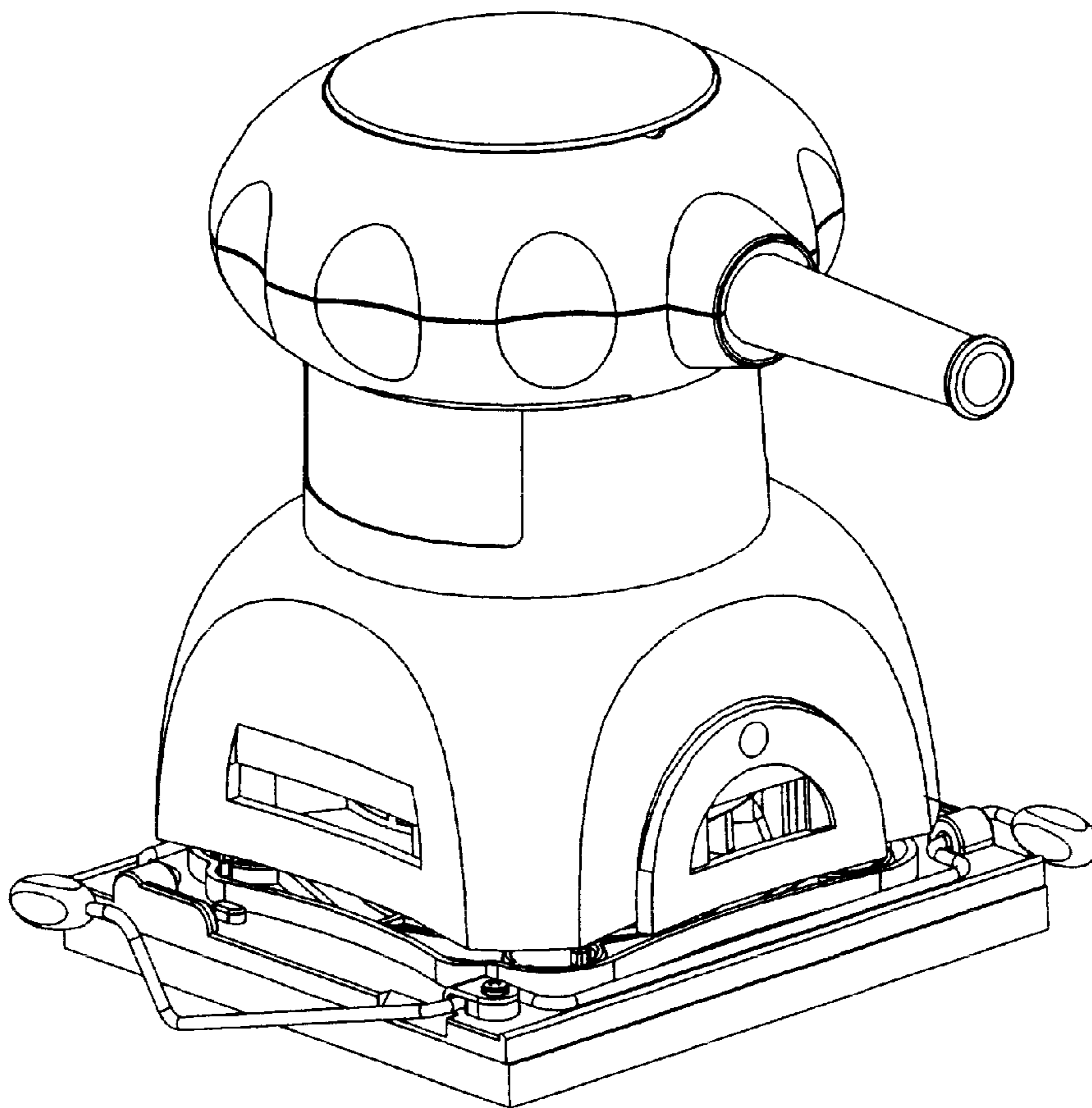
(57) **CLAIM**

The ornamental design for a palm sander, as shown and described.

DESCRIPTION

FIG. 1 is a front elevational view of the palm sander; FIG. 2 is a rear elevational view thereof; FIG. 3 is a left side elevational view thereof; FIG. 4 is a right side elevational view thereof; FIG. 5 is a top plan view thereof; FIG. 6 is a bottom plan view thereof; and, FIG. 7 is a perspective view thereof.

1 Claim, 7 Drawing Sheets



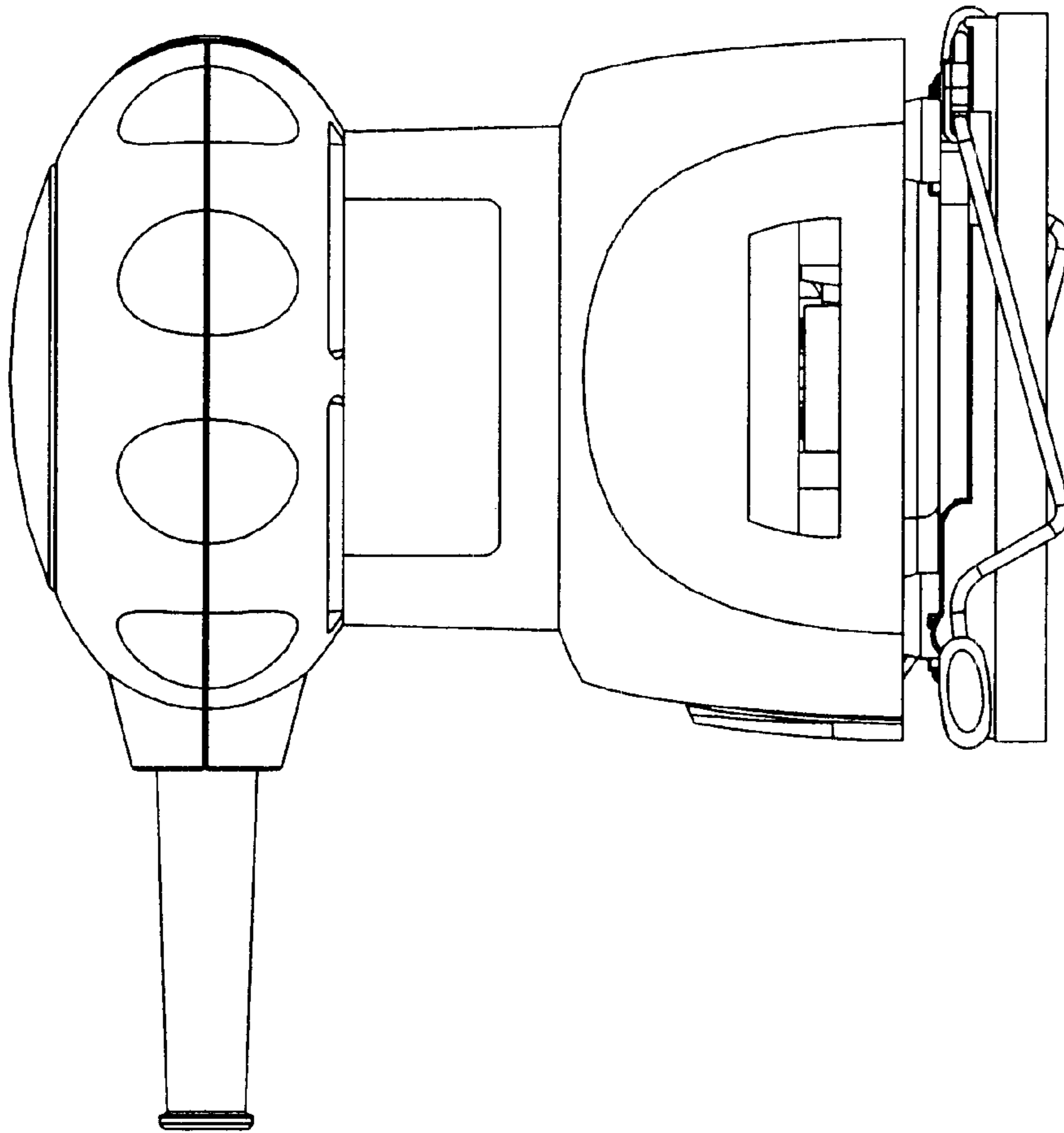


FIGURE 1

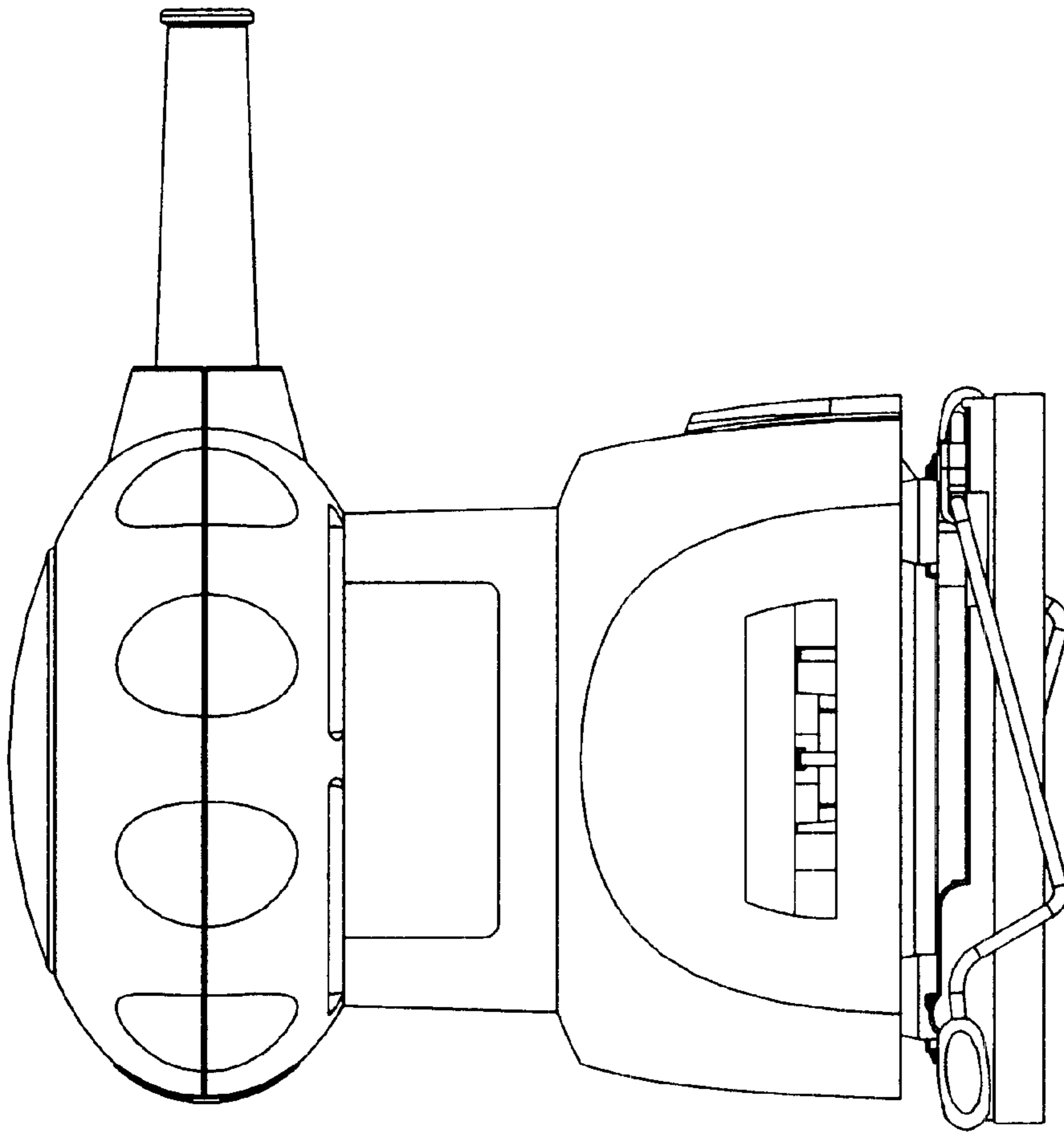


FIGURE 2

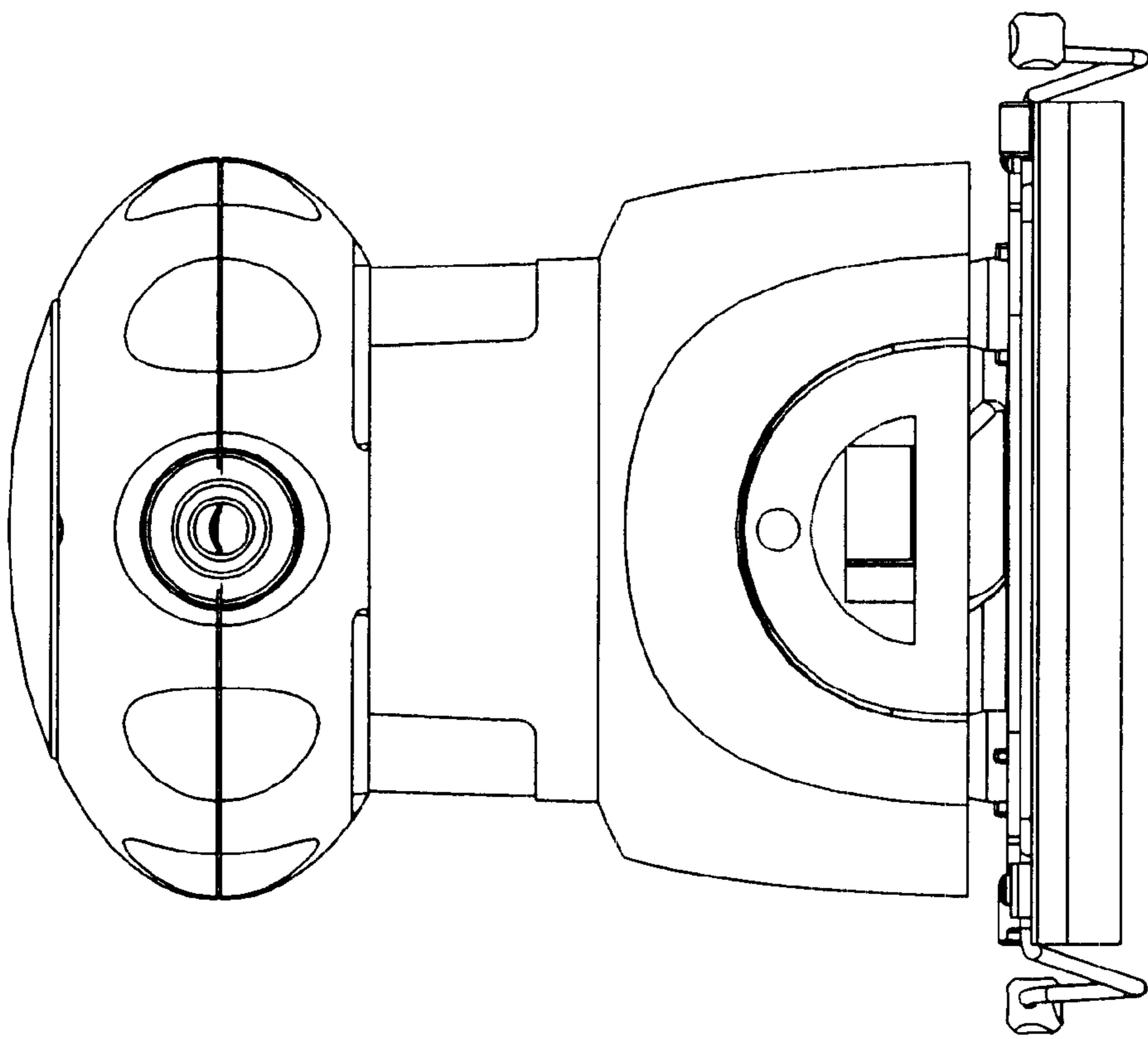


FIGURE 3

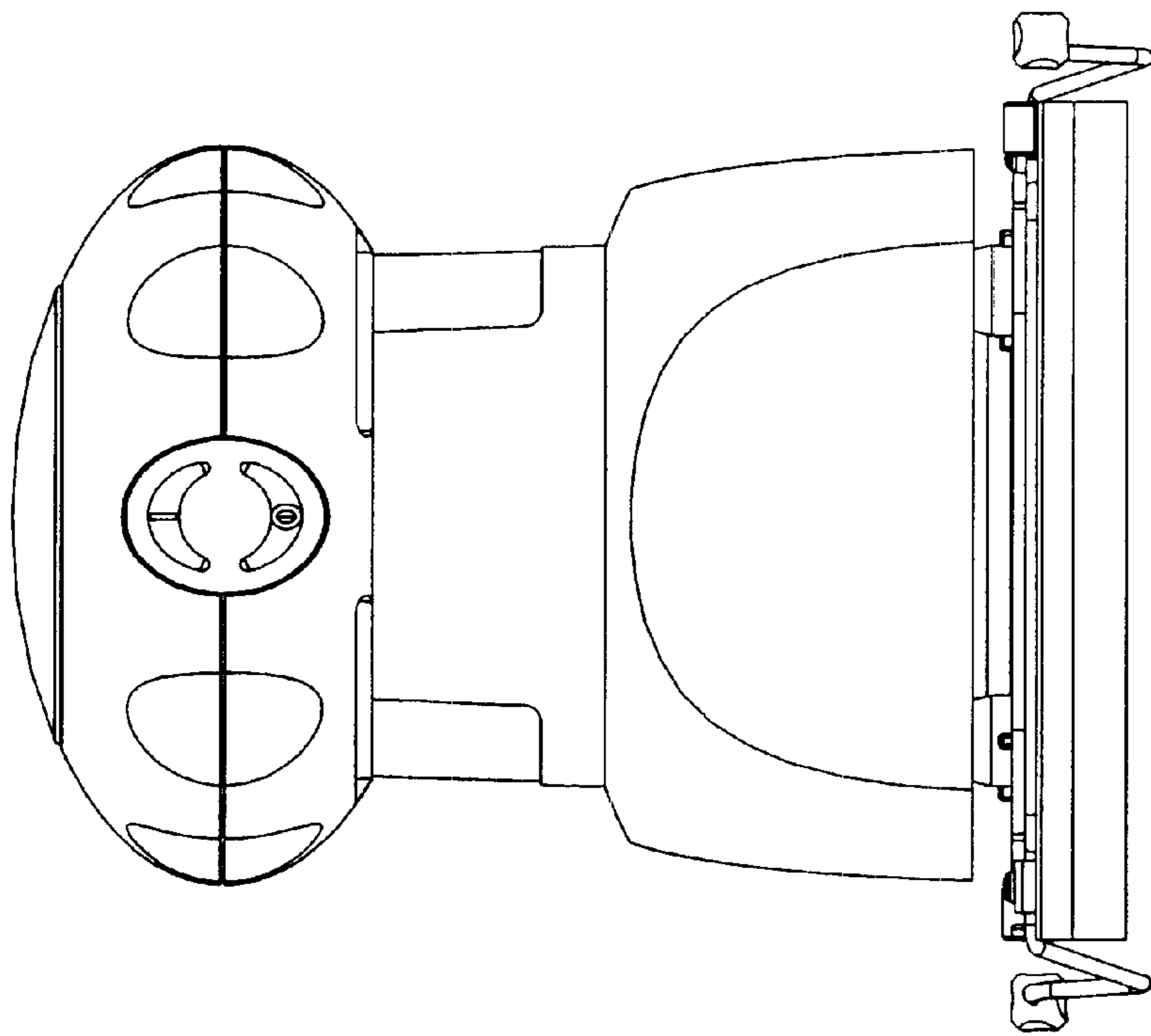


FIGURE 4

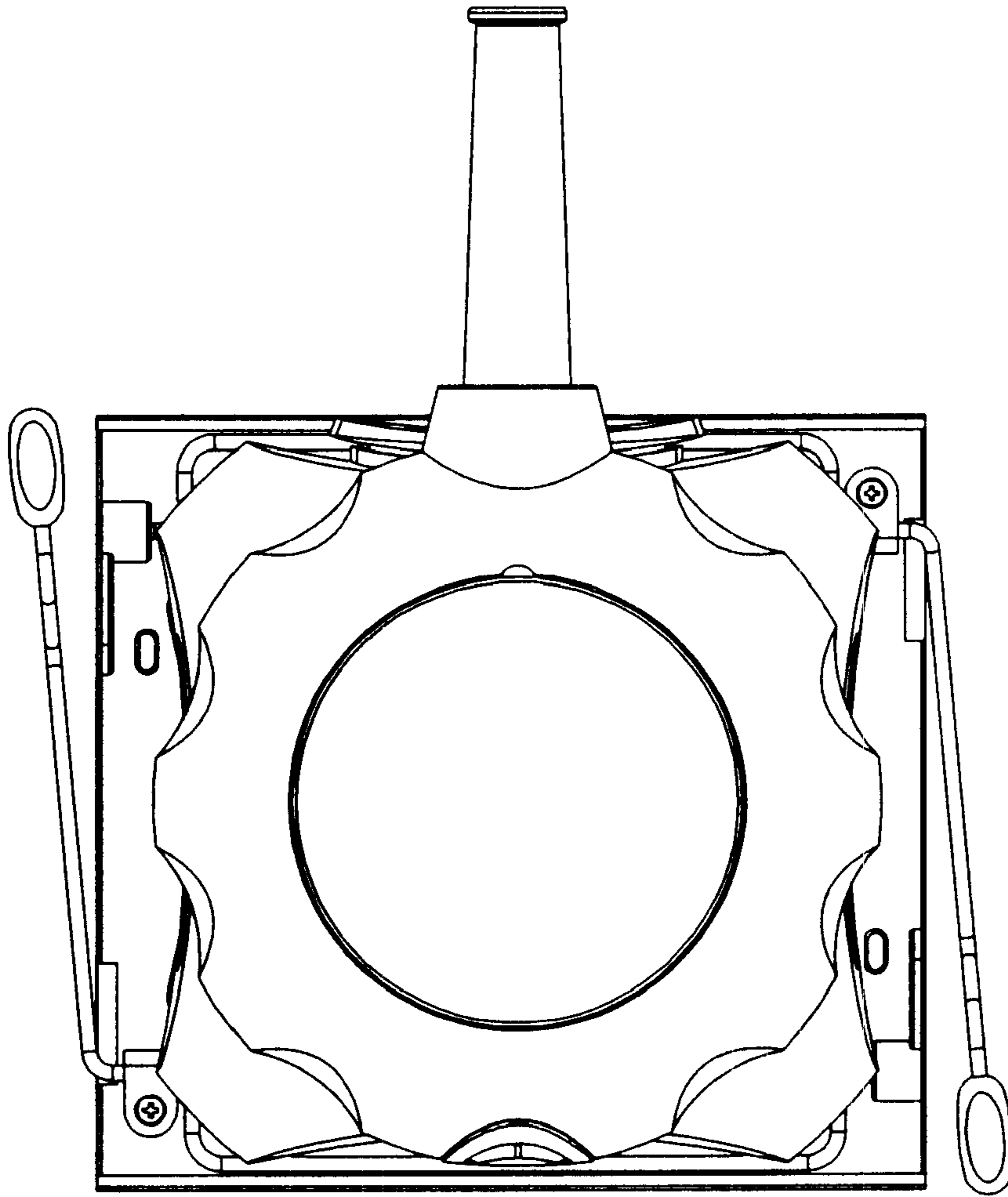


FIGURE 5

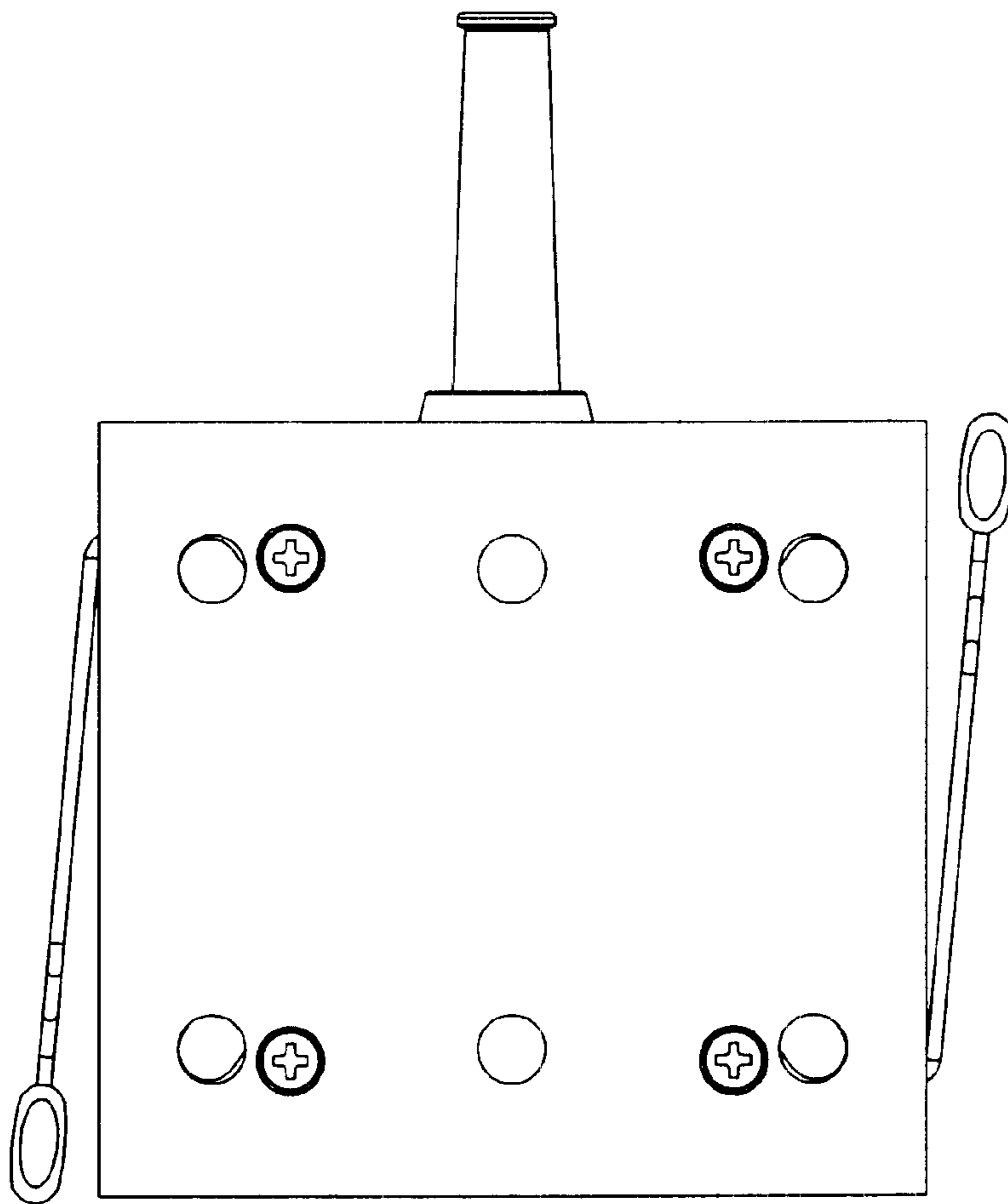


FIGURE 6

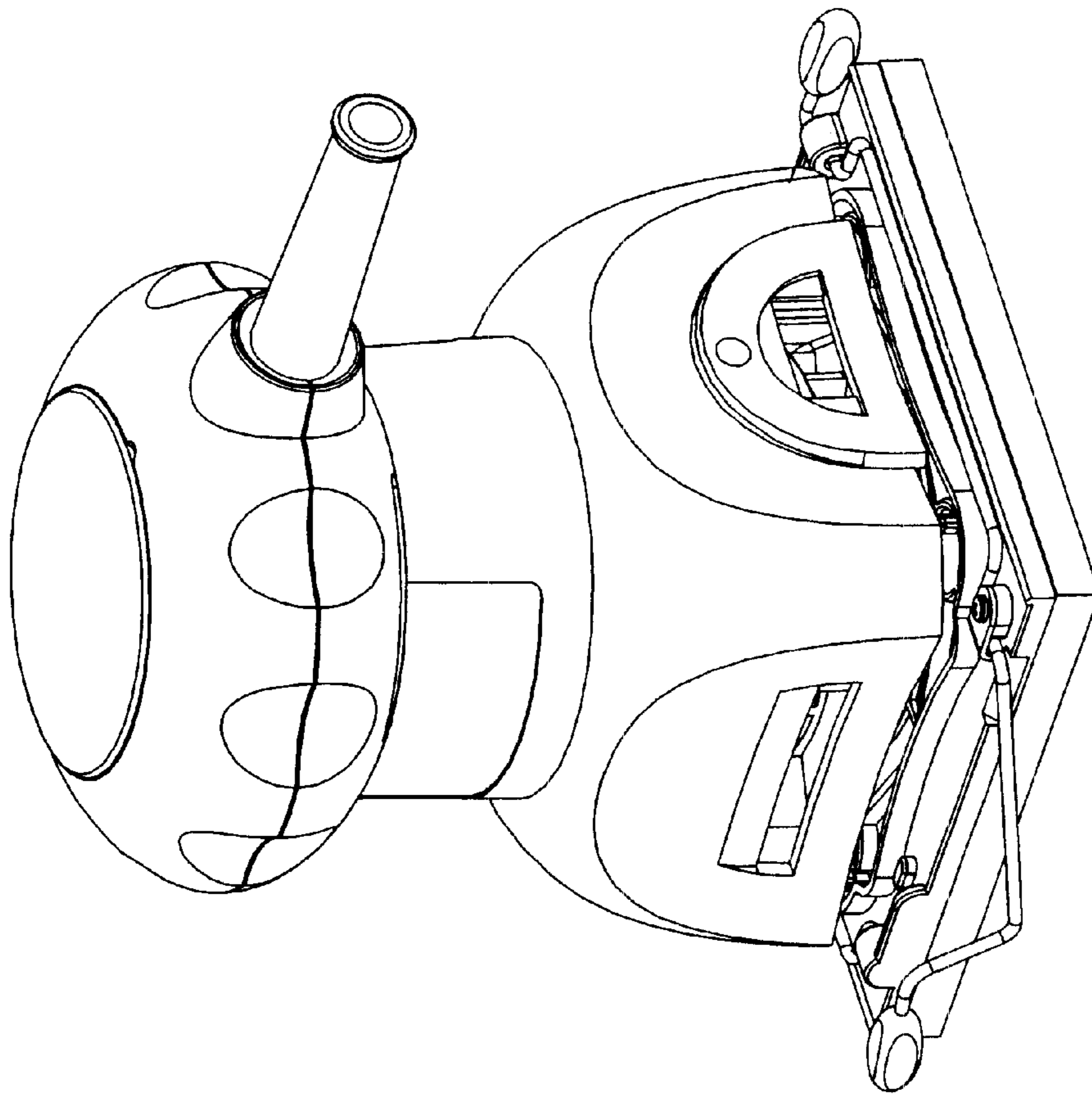


FIGURE 7