



US00D476541S

(12) **United States Design Patent**
Kushner et al.

(10) **Patent No.:** **US D476,541 S**
(45) **Date of Patent:** **** Jul. 1, 2003**

(54) **FLAT LEVER CORK EXTRACTOR**

(76) Inventors: **Robert G. Kushner**, 245-251 Hennessy Road, Wan Chai (HK); **Richard Ho**, Bangkok Building, 18 Bonham Strand West, Sheung Wan (HK)

(**) Term: **14 Years**

(21) Appl. No.: **29/148,641**

(22) Filed: **Sep. 24, 2001**

(51) **LOC (7) Cl.** **07-99**

(52) **U.S. Cl.** **D8/39; D8/42**

(58) **Field of Search** D8/33-43, 308, D8/4, 5, 107, 52, 48; 30/400-443; 81/3.07-3.49; 7/151-156; D7/665, 666; D23/250, 252; D12/179, 180; 74/523, 480 R, 489, 502.2

(56) **References Cited**

U.S. PATENT DOCUMENTS

4,253,351	A	*	3/1981	Allen	81/3.29
D324,156	S	*	2/1992	Shun	D7/682
D408,697	S	*	4/1999	Bergen	D8/42
D415,667	S	*	10/1999	de Bergen	D8/42
D420,558	S	*	2/2000	Lee	D8/39
D430,994	S	*	9/2000	Kilduff	D8/39
D441,265	S	*	5/2001	Kilduff	D8/39
D442,043	S	*	5/2001	Kao	D8/39
D442,045	S	*	5/2001	Kilduff	D8/39
D444,045	S	*	6/2001	Kay	D8/39

D445,008	S	*	7/2001	Andina et al.	D8/42
D446,098	S	*	8/2001	Kilduff	D8/39
D446,702	S	*	8/2001	Kilduff	D8/39
6,357,322	B1	*	3/2002	Dolan et al.	81/3.37
D455,058	S	*	4/2002	Stirling	D8/39

OTHER PUBLICATIONS

www.winetimegiftstore.com, 2pgs., Jan. 9, 2002, lever model lx and lever model 2000.*

Summer 1997 Chef's Catalog, dated May 5, 1997, p. 76, Leverpull LX professional model.*

* cited by examiner

Primary Examiner—Jeffrey Asch

(74) *Attorney, Agent, or Firm*—Paul J. Sutton

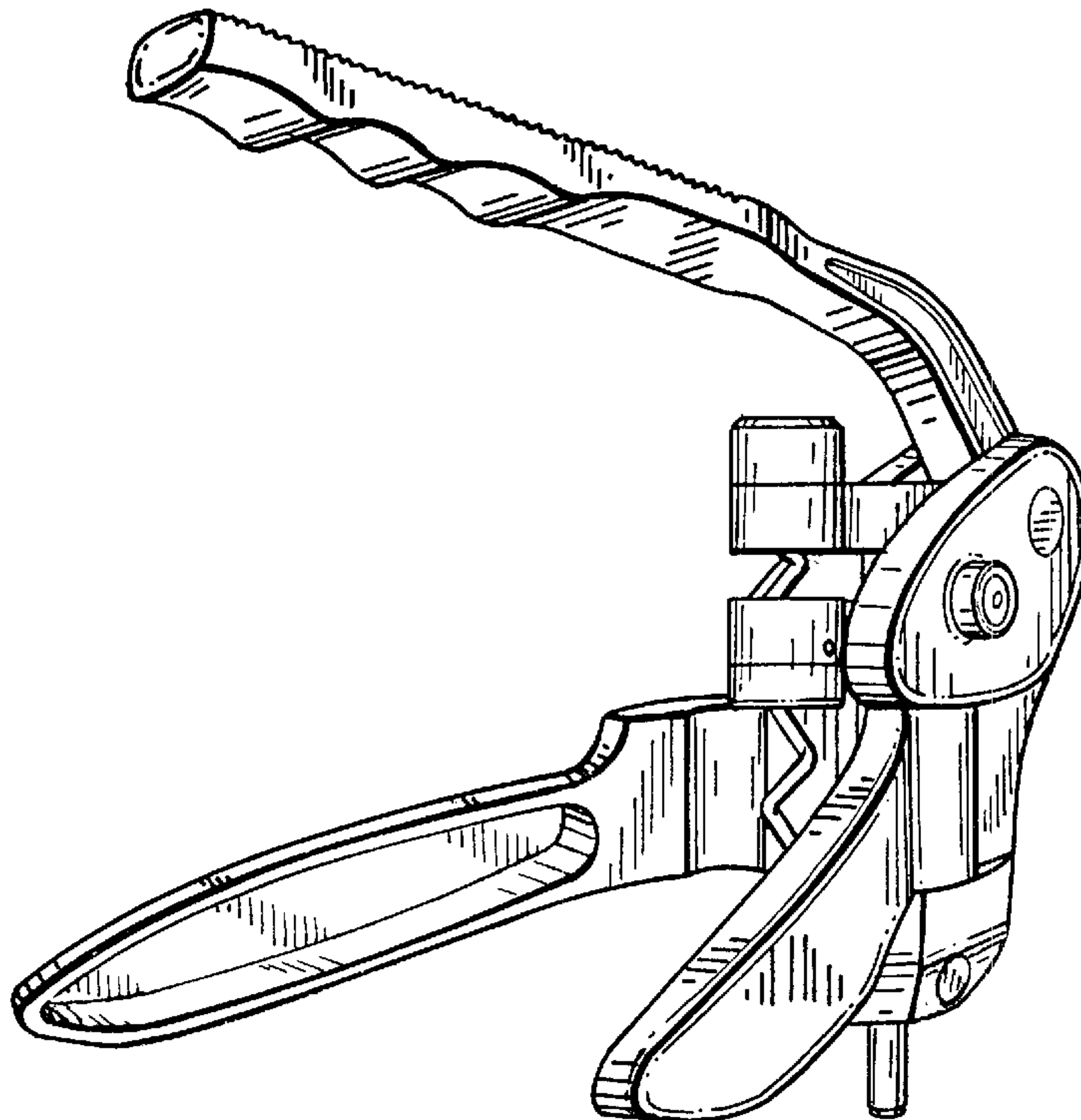
(57) **CLAIM**

The ornamental design for a flat lever cork extractor, as shown and described.

DESCRIPTION

FIG. 1 is a perspective view of a flat lever cork extractor illustrating our new design in a slightly raised condition; FIG. 2 is a bottom plan view thereof; FIG. 3 is a right elevational view thereof, the left elevational view being a mirror image thereof; FIG. 4 is a front elevational view thereof; FIG. 5 is a rear plan view thereof; and, FIG. 6 is a top plan view thereof.

1 Claim, 6 Drawing Sheets



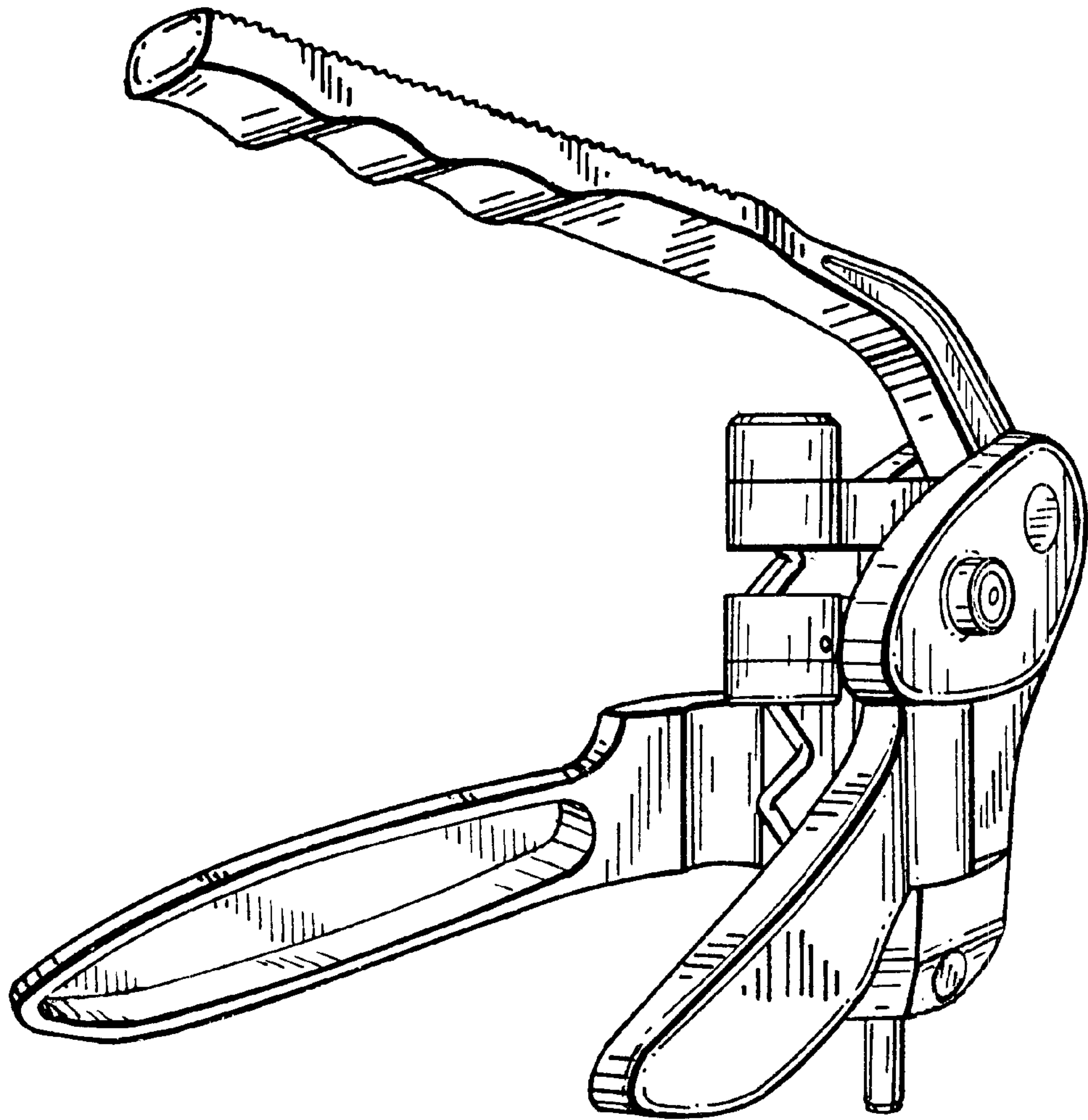


FIG. 1

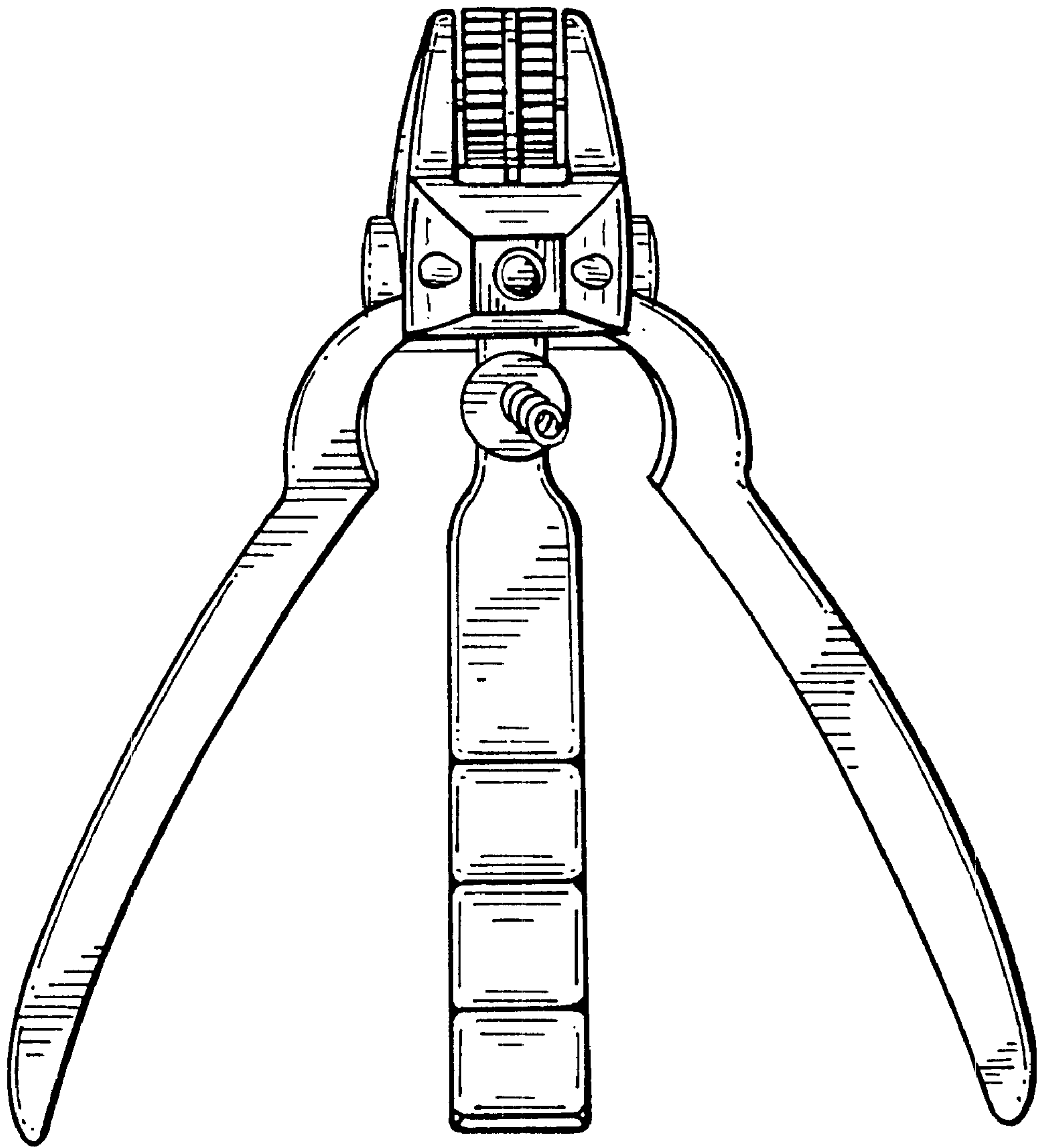


FIG. 2

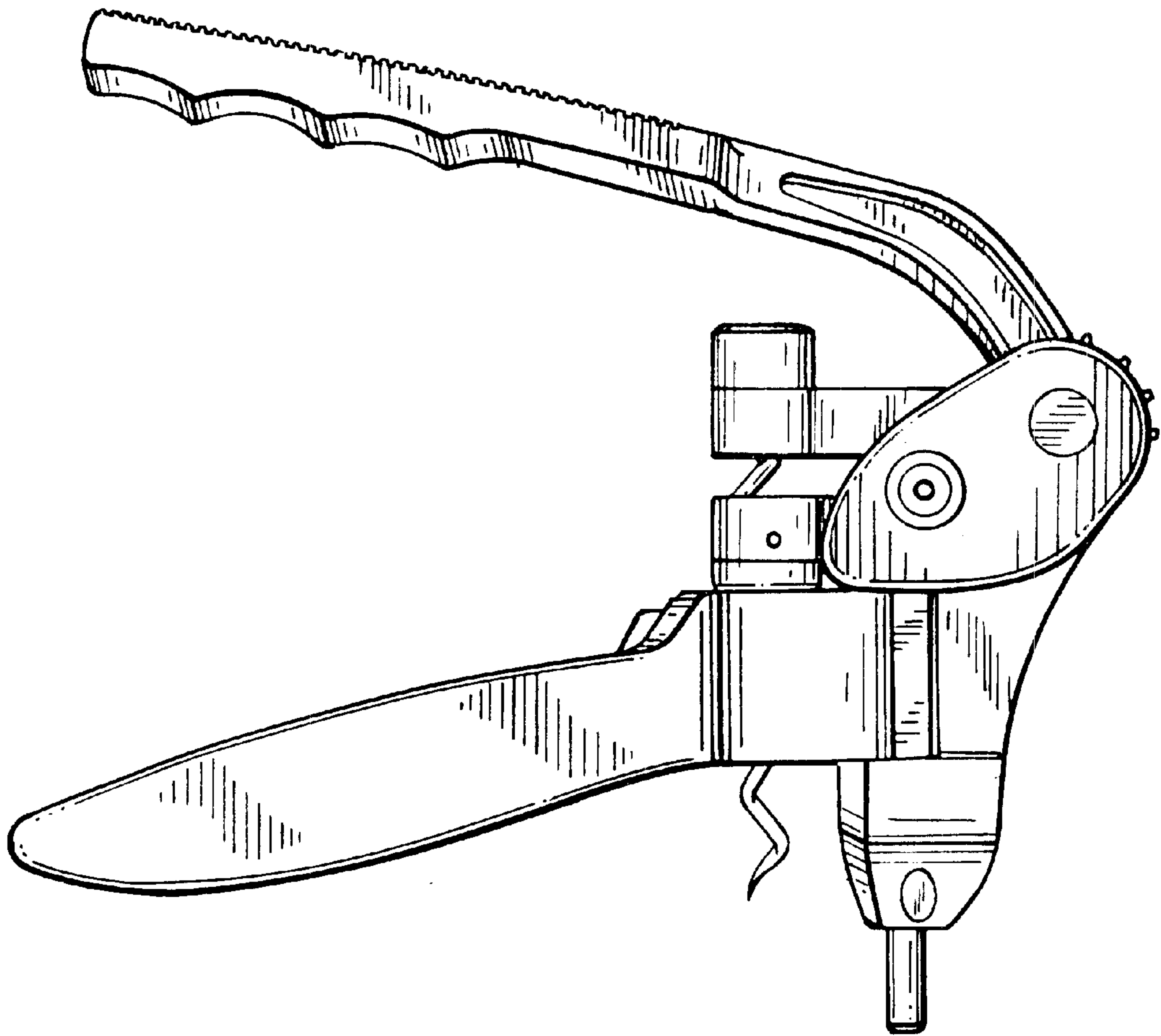


FIG. 3

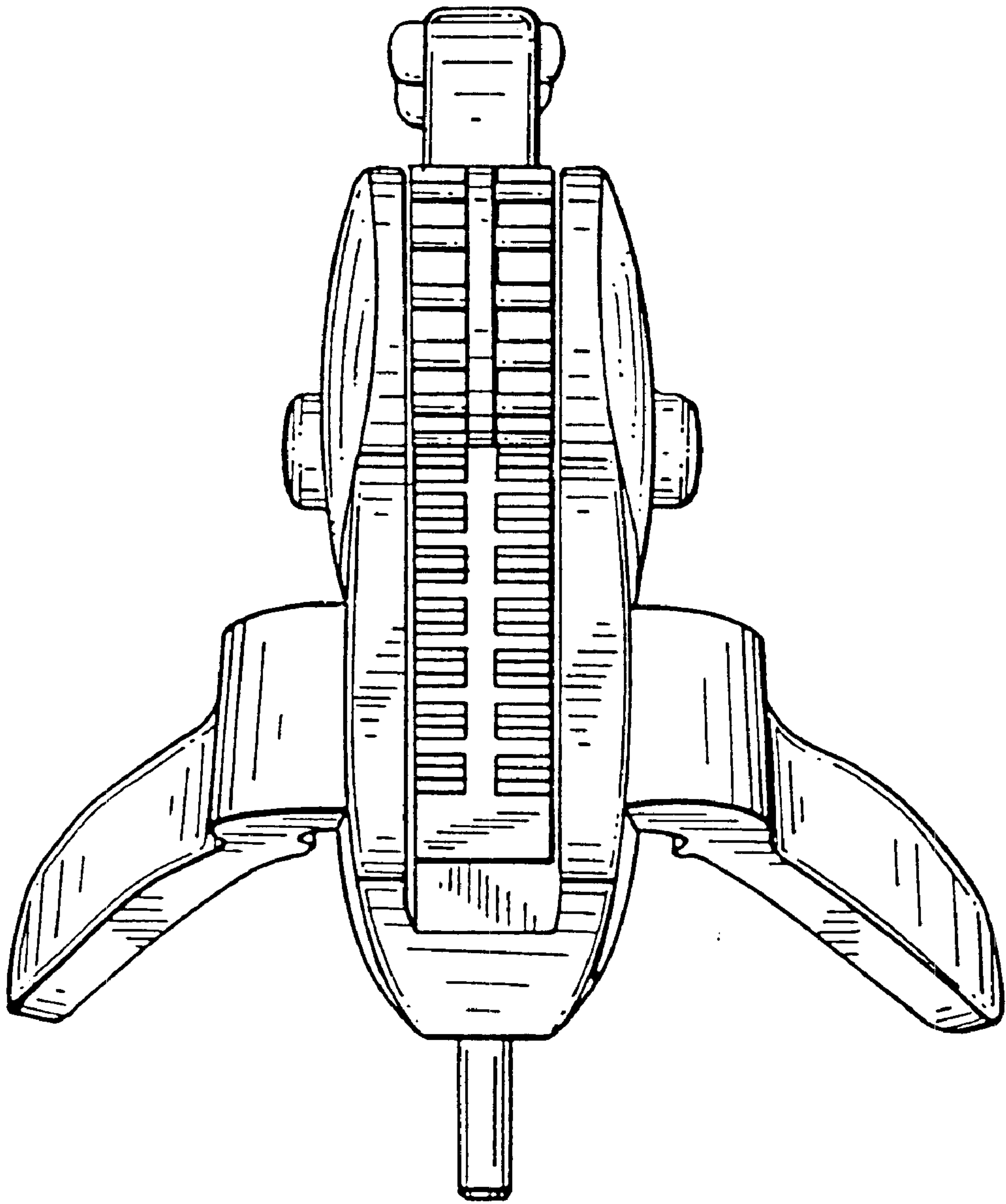


FIG. 4

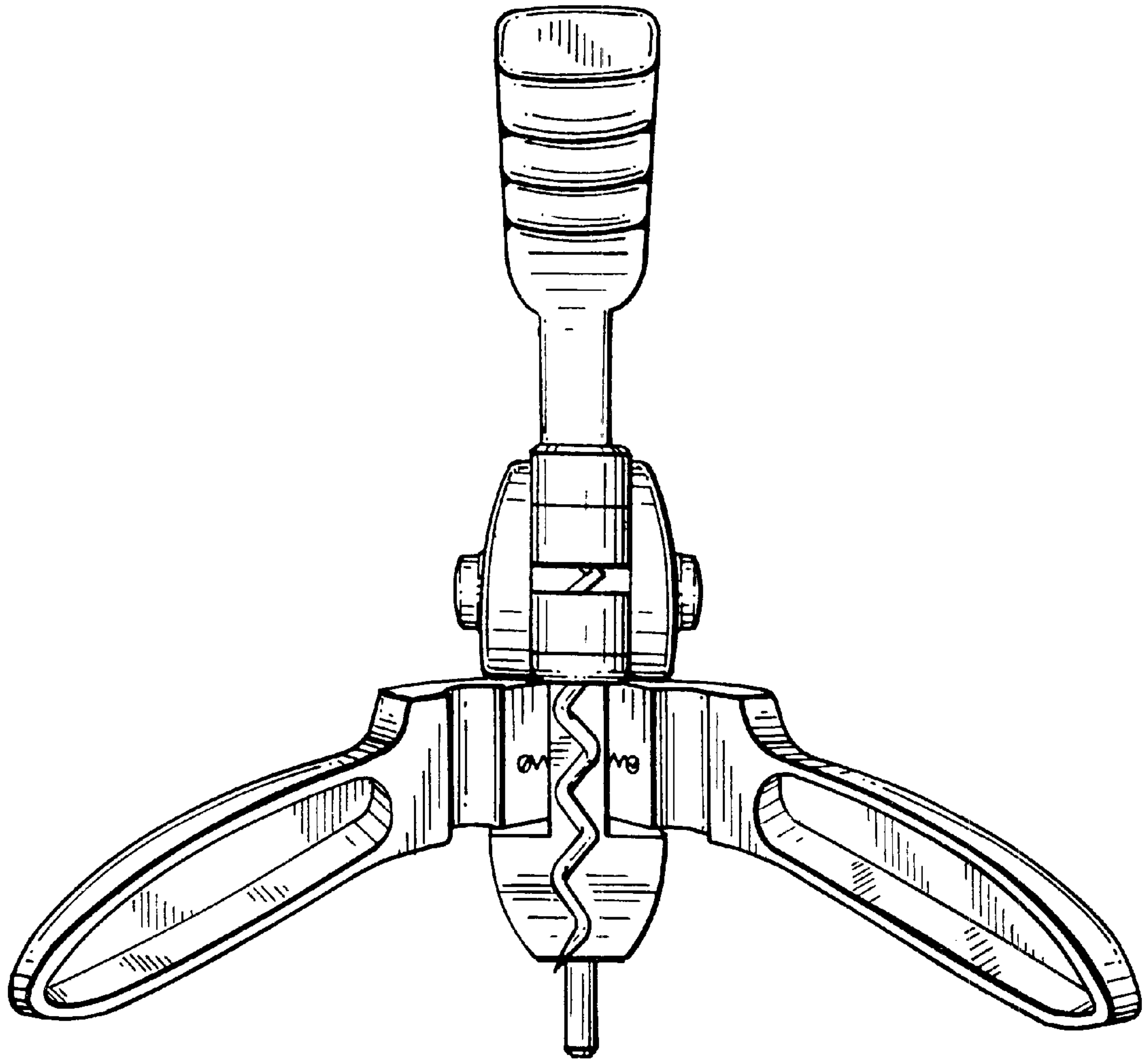


FIG. 5

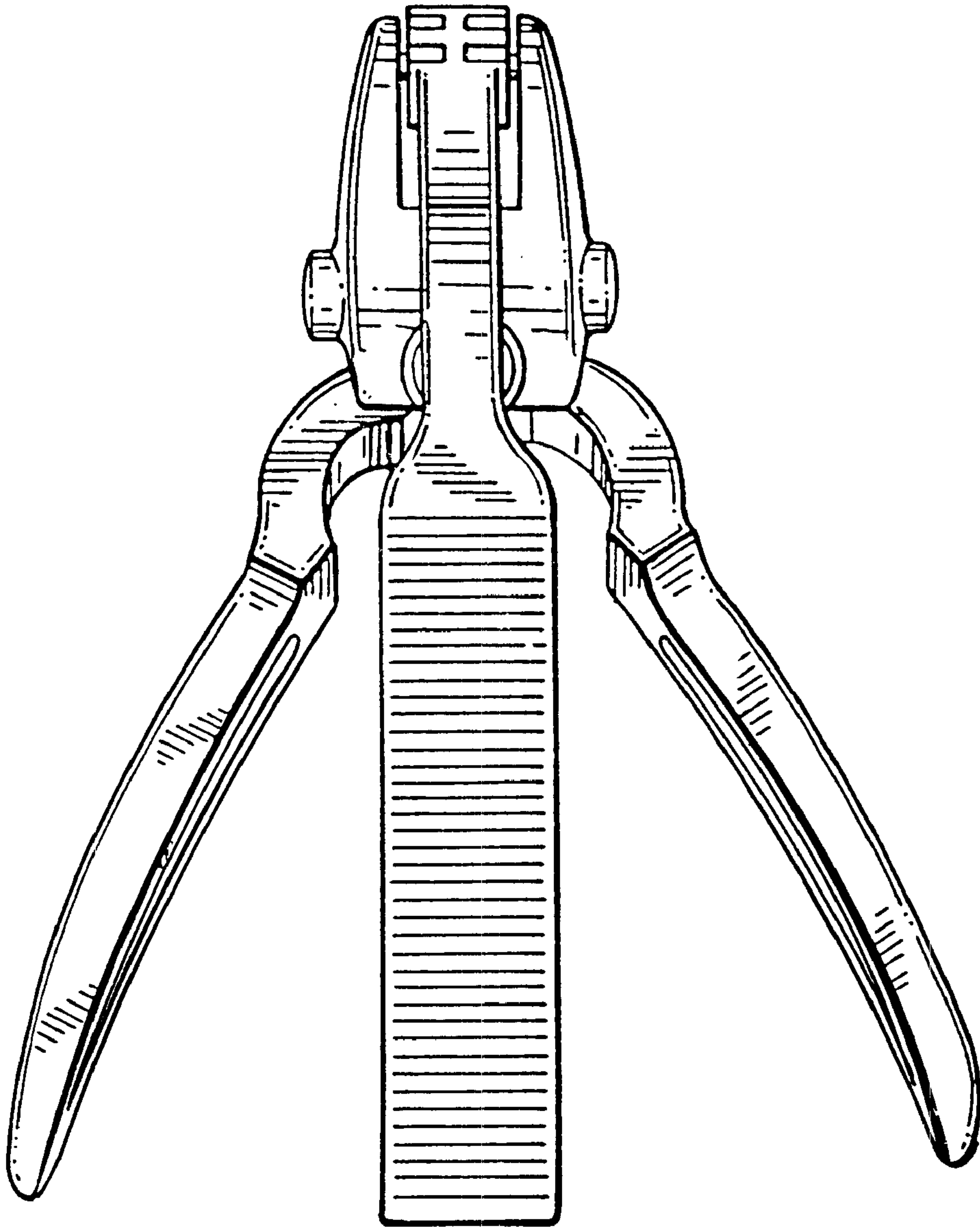


FIG. 6