



US00D476540S

(12) **United States Design Patent**
Kelleghan

(10) **Patent No.: US D476,540 S**

(45) **Date of Patent: ** Jul. 1, 2003**

(54) **FISH HOOK SHAPED BOTTLE OPENER**

(76) Inventor: **Brian James Kelleghan, 2923 Lakeshore Dr., Longmont, CO (US) 80503**

(**) Term: **14 Years**

(21) Appl. No.: **29/158,726**

(22) Filed: **Apr. 9, 2002**

(51) **LOC (7) Cl. 07-99**

(52) **U.S. Cl. D8/38; D8/18; D22/144**

(58) **Field of Search D8/33-43, 18, D8/19, 88, 89, 48; 30/400-443; 81/3.07-3.49; 7/151-156; D3/208, 211; D11/43, 44, 48, 49, 53, 55, 79-83, 95, 99-101; D22/144**

(56) **References Cited**

U.S. PATENT DOCUMENTS

805,486 A	*	11/1905	Rosenheimer	7/151
842,594 A	*	1/1907	Vieck	43/43.16
D42,306 S	*	3/1912	Sommer	D8/18
D44,226 S	*	6/1913	Vaughan	D8/18
D46,298 S	*	8/1914	Sommer	D8/18
D46,762 S	*	12/1914	Vaughan	D8/18
D47,144 S	*	3/1915	Pfister	D27/196
D57,662 S	*	4/1921	Kingston et al.	D8/81
1,513,400 A	*	10/1924	Koski	43/43.16
D85,035 S	*	9/1931	Ekstedt	D3/211
D127,727 S	*	6/1941	Pietrzyk	D3/210
D143,233 S	*	12/1945	Moore	D8/43
D159,984 S	*	9/1950	Jackson	D3/211
2,542,329 A	*	2/1951	Hammond et al.	81/3.57
2,651,134 A	*	9/1953	Kemmerer	43/43.4
D196,251 S	*	9/1963	Piel	D8/41
3,333,359 A	*	8/1967	Barker, Jr.	43/43.6
D222,659 S	*	11/1971	Hillis	D8/40
D238,244 S	*	12/1975	Pasquale	D8/18
D240,188 S	*	6/1976	Lytle	D8/18
D276,360 S	*	11/1984	Sitton	D22/144
4,617,842 A	*	10/1986	Yang	81/3.09
D288,467 S	*	2/1987	Sitton	D22/144
4,864,898 A	*	9/1989	Tricinella	81/3.09
4,949,600 A	*	8/1990	Tricinella	81/3.09
4,976,172 A	*	12/1990	Thomas et al.	81/3.09
D339,968 S	*	10/1993	Shy	D8/40

D356,237 S	*	3/1995	White	D8/34
D370,520 S	*	6/1996	Kahng	D22/144
D442,887 S	*	5/2001	Aubrey	D11/221
D448,552 S	*	10/2001	Richards	D3/210
D451,774 S	*	12/2001	Kelleghan	D8/38
D454,287 S	*	3/2002	Wolf	D8/40

OTHER PUBLICATIONS

www.omegapacificpromotions.com, visited Jun. 24, 2002, Bottle openers, "Key" and "Cycle Wrench".*

www.artedesigngroup.com, visited Jun. 24, 2002, BCOKC Bottle/Can Opener Key Chain.*

U.S. patent application Ser. No. 29/154,640, filed Jan. 25, 2002, Brian James Kelleghan.

U.S. patent application Ser. No. 29/154,591, filed Jan. 25, 2002, Brian James Kelleghan.

U.S. patent application Ser. No. 29/154,590, filed Jan. 25, 2002, Brian James Kelleghan.

U.S. patent application Ser. No. 29/154,575, filed Jan. 25, 2002, Brian James Kelleghan.

U.S. patent application Ser. No. 29/154,544, filed Jan. 25, 2002, Brian James Kelleghan.

* cited by examiner

Primary Examiner—Jeffrey Asch

(57) **CLAIM**

The ornamental design for a fish hook shaped bottle opener, as shown.

DESCRIPTION

FIG. 1 is a plan view of the top and bottom sides, which are mirror images of each other, of my new design for a fish hook shaped bottle opener.

FIG. 2 is a front side plan view of the bottle opener shown in FIG. 1.

FIG. 3 is a rear side plan view of the bottle opener shown in FIG. 1.

FIG. 4 is a right side plan view of the bottle opener shown in FIG. 1.

FIG. 5 is a left side plan view of the bottle opener shown in FIG. 1; and,

FIG. 6 is a top perspective view of the bottle opener shown in FIG. 1.

1 Claim, 1 Drawing Sheet

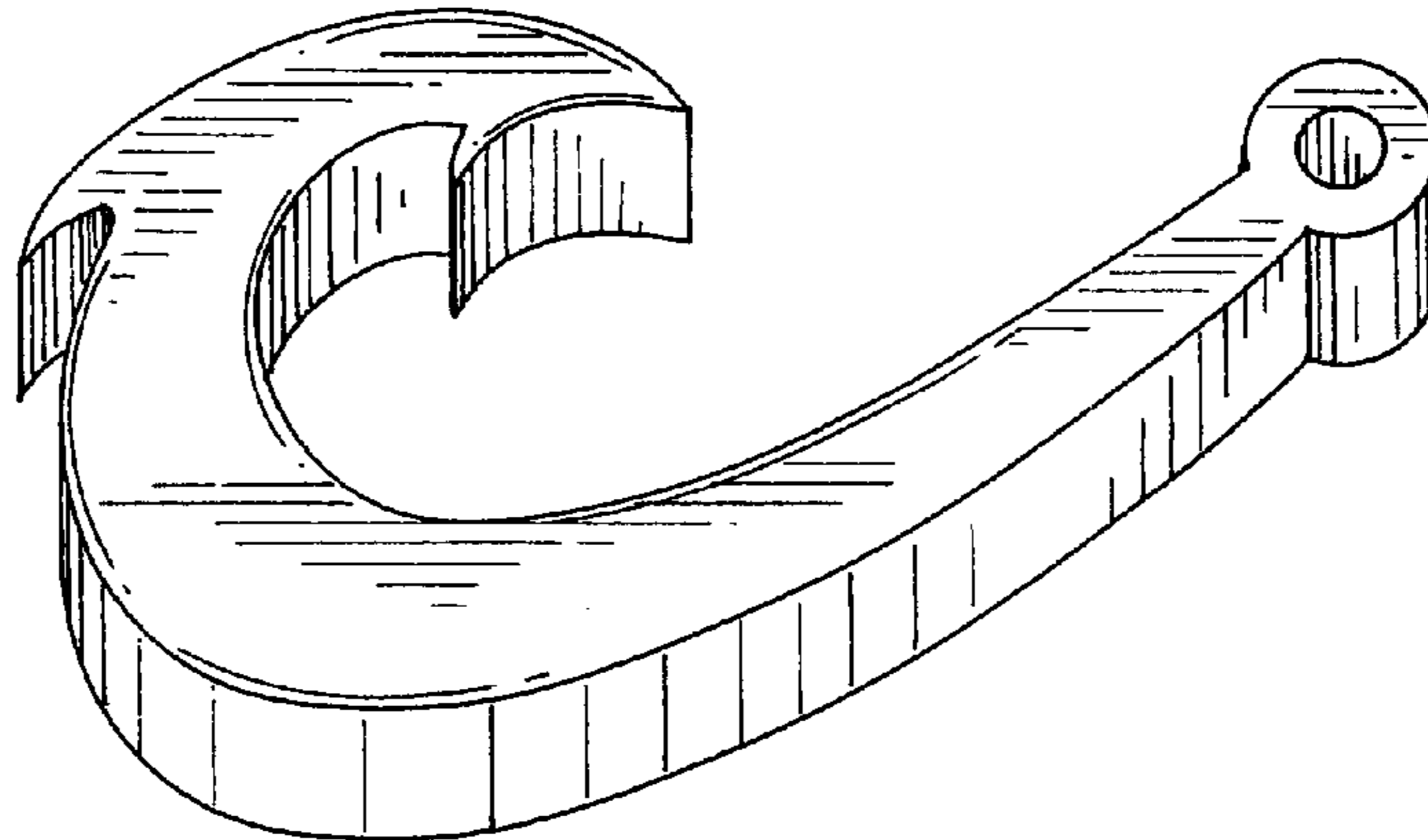




FIG. 2



FIG. 4

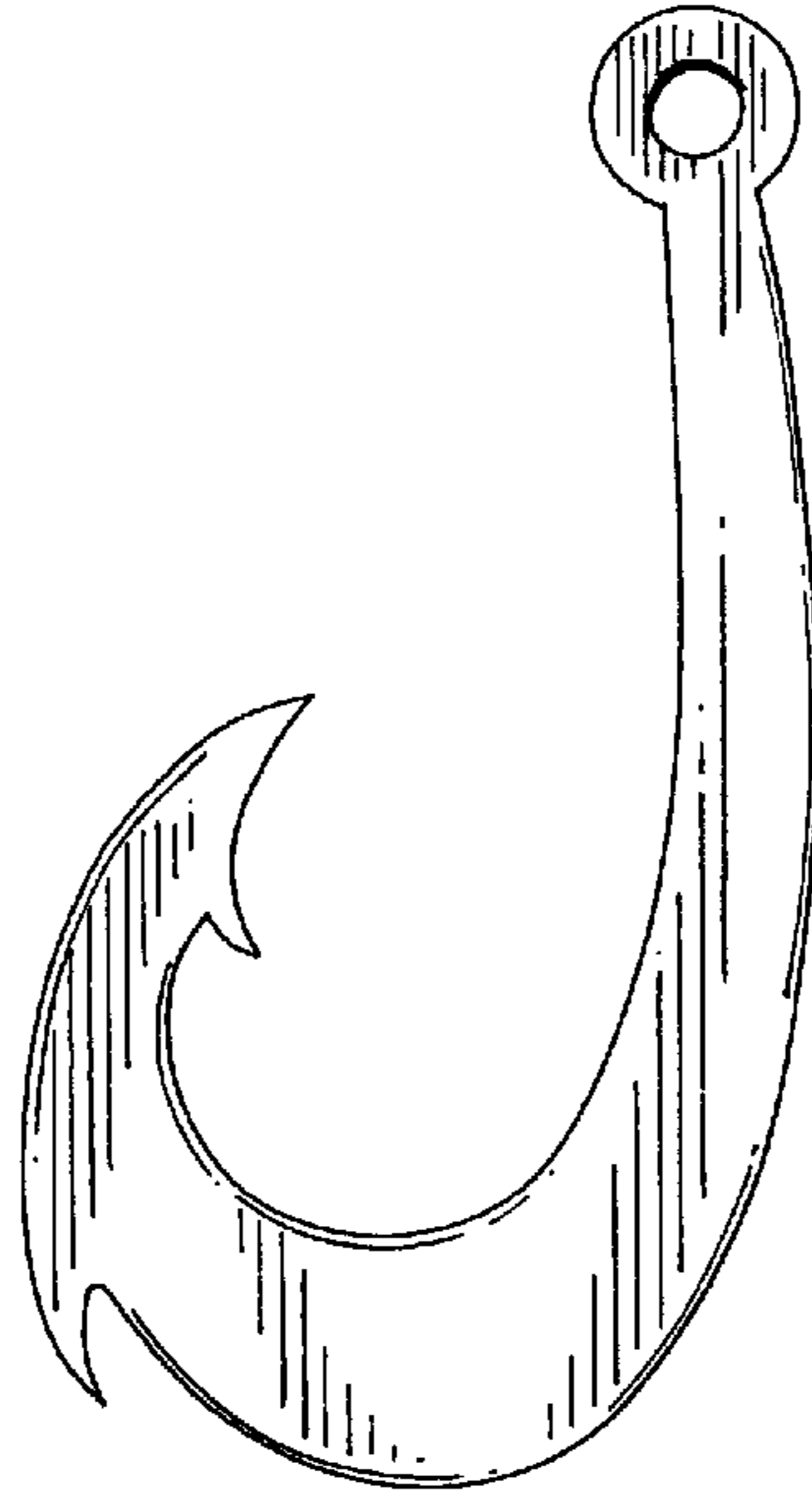


FIG. 1

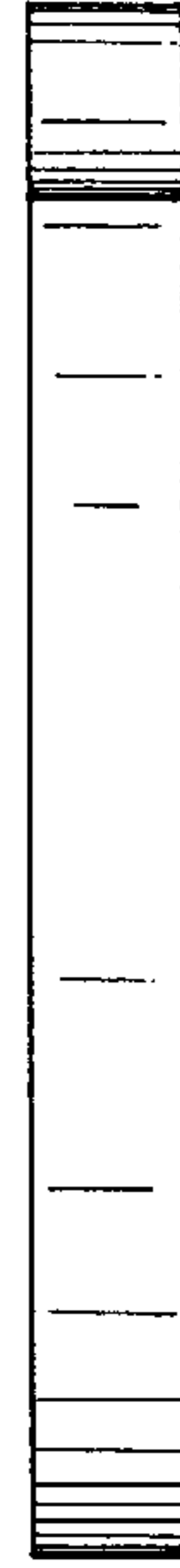


FIG. 5



FIG. 3

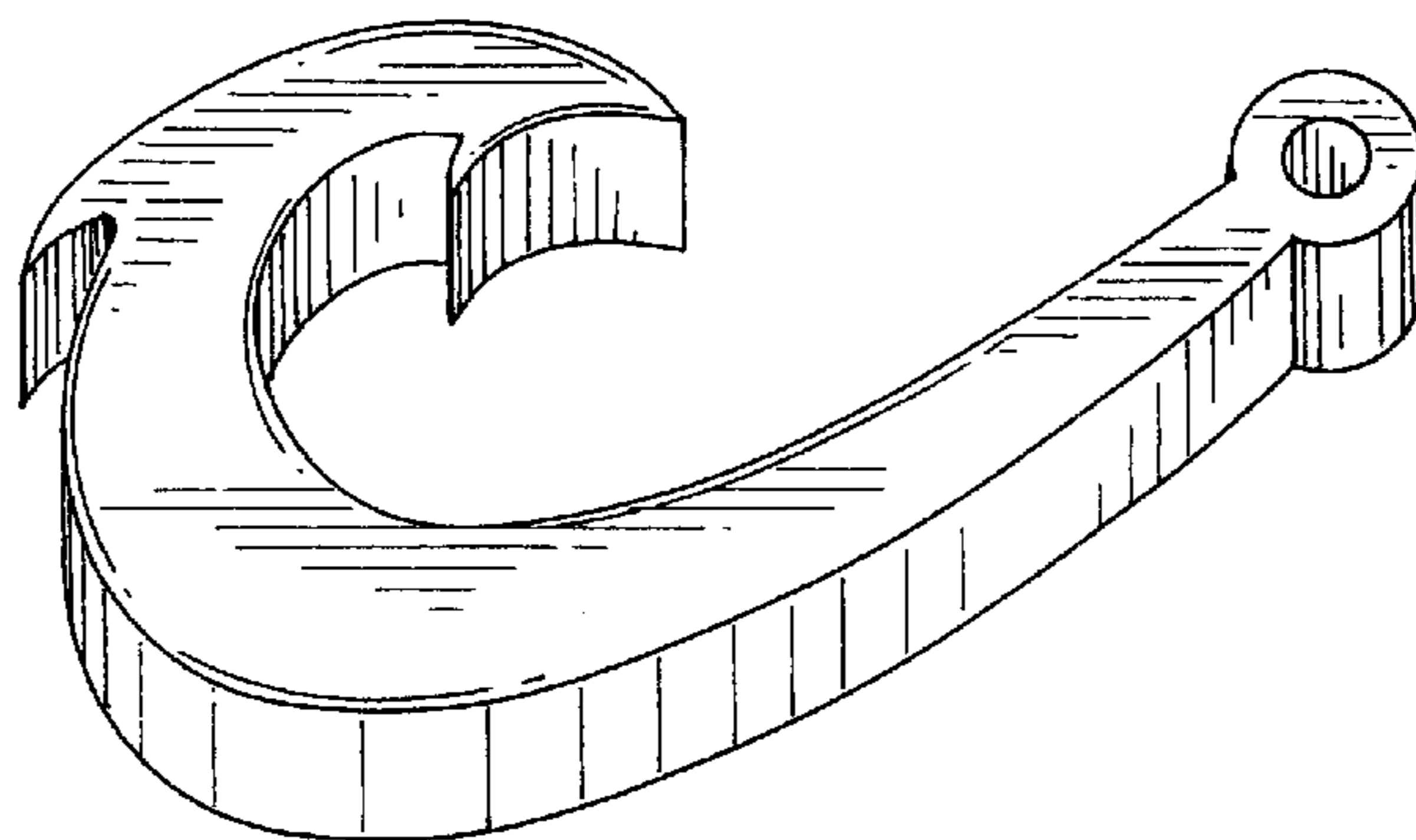


FIG. 6