



US00D476539S

(12) **United States Design Patent**
Pryor

(10) **Patent No.:** **US D476,539 S**

(45) **Date of Patent:** **** Jul. 1, 2003**

(54) **CUTTING TORCH HEAD**

(75) Inventor: **David A. Pryor**, Denton, TX (US)

(73) Assignee: **Victor Equipment Company**, St. Louis, MO (US)

(**) Term: **14 Years**

(21) Appl. No.: **29/165,969**

(22) Filed: **Aug. 20, 2002**

(51) **LOC (7) Cl.** **08-05**

(52) **U.S. Cl.** **D8/30**

(58) **Field of Search** D8/29.1, 29.2,
D8/30; D15/144.1; 219/75, 227, 229, 121.16,
121.18, 137.42, 137.31

(56) **References Cited**

U.S. PATENT DOCUMENTS

1,404,011	A	1/1922	Coberly	
1,830,459	A	11/1931	Austin et al.	
2,008,130	A	7/1935	Damm	
2,198,342	A	4/1940	Jacobsson et al.	
3,386,665	A	6/1968	Iozzi et al.	
3,583,643	A	6/1971	Ollivier et al.	
4,022,441	A	5/1977	Turney	266/48
4,248,384	A	2/1981	Zwicker	239/419.3
D260,846	S	* 9/1981	Summers et al.	D8/30
4,409,002	A	10/1983	Zwicker	
4,455,176	A	6/1984	Fuhrhop	
4,664,621	A	5/1987	Sugisaku et al.	431/346
D296,863	S	* 7/1988	Vigneau	D8/30
D326,594	S	* 6/1992	Haberman	D8/30
5,120,026	A	6/1992	Bissonnette	266/48
D343,629	S	* 1/1994	Bode	D15/144
D346,390	S	* 4/1994	Sperling et al.	D15/144
D350,884	S	* 9/1994	Sperling et al.	D8/30
D350,885	S	* 9/1994	Sperling et al.	D8/30
5,390,855	A	2/1995	Mims et al.	239/414
5,407,348	A	4/1995	Mims et al.	431/346
5,507,438	A	4/1996	Thomas et al.	239/413

* cited by examiner

Primary Examiner—Philip S. Hyder

(74) *Attorney, Agent, or Firm*—Senniger, Powers, Leavitt & Roedel

(57) **CLAIM**

The ornamental design for a cutting torch head, as shown and described.

DESCRIPTION

FIG. 1 is a perspective of a cutting torch head of the present invention, other components of a torch being shown in broken lines and forming no part of the claimed design;

FIG. 2 is a left side elevation of the cutting torch head of FIG. 1, the right side elevation being a mirror image of the left side elevation;

FIG. 3 is a top plan of the cutting torch head of FIG. 1;

FIG. 4 is a bottom plan of the cutting torch head of FIG. 1;

FIG. 5 is a front elevation of the cutting torch head of FIG. 1;

FIG. 6 is a back elevation of the cutting torch head of FIG. 1;

FIG. 7 is a perspective view of a cutting torch head of a second embodiment of the present invention, other components of a torch being shown in broken lines and forming no part of the claimed design;

FIG. 8 is a left side elevation of the cutting torch head of FIG. 7, the right side elevation being a mirror image of the left side elevation;

FIG. 9 is a top plan of the cutting torch head of FIG. 7;

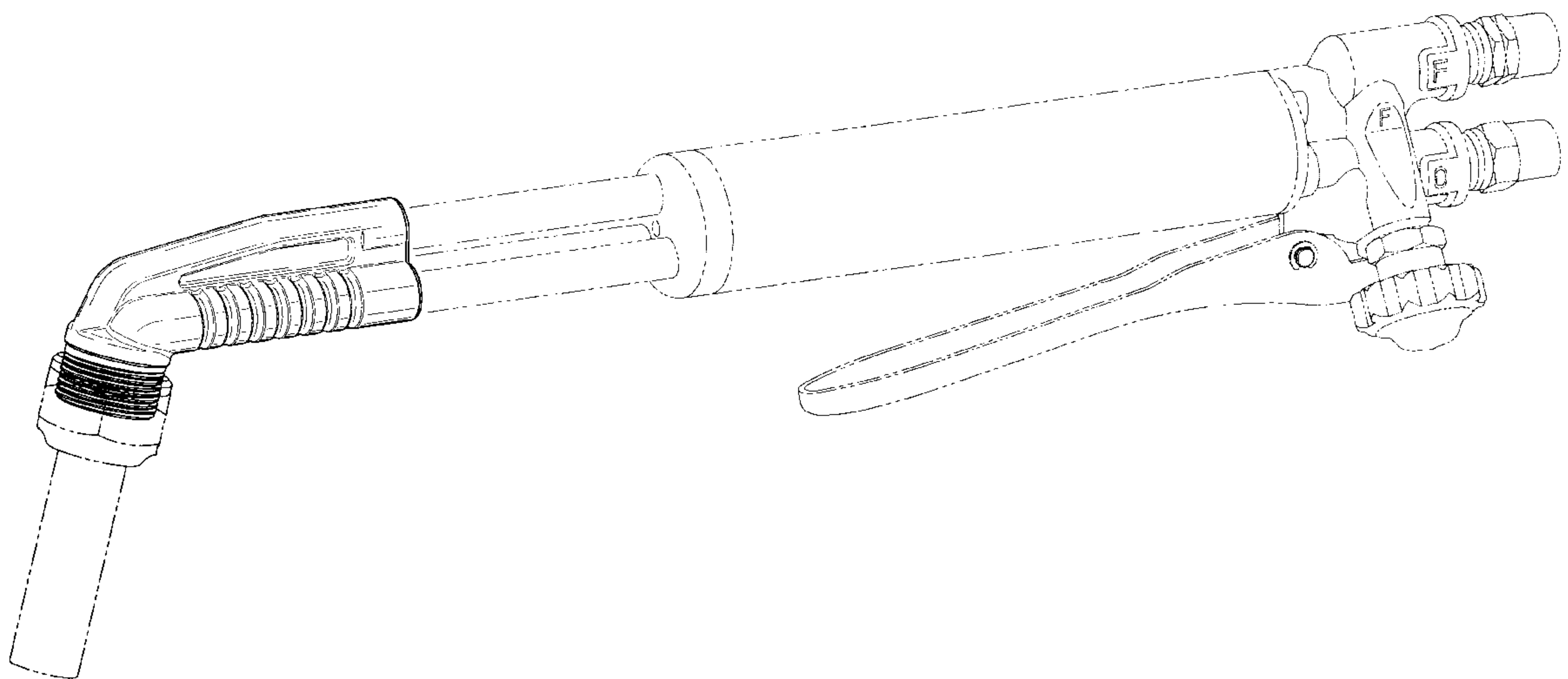
FIG. 10 is a bottom plan of the cutting torch head of FIG. 7;

FIG. 11 is a front elevation of the cutting torch head of FIG. 7; and,

FIG. 12 is a back elevation of the cutting torch head of FIG. 7.

The broken lines shown in FIGS. 1 and 7 indicate structure and features which form no part of the claimed design.

1 Claim, 10 Drawing Sheets



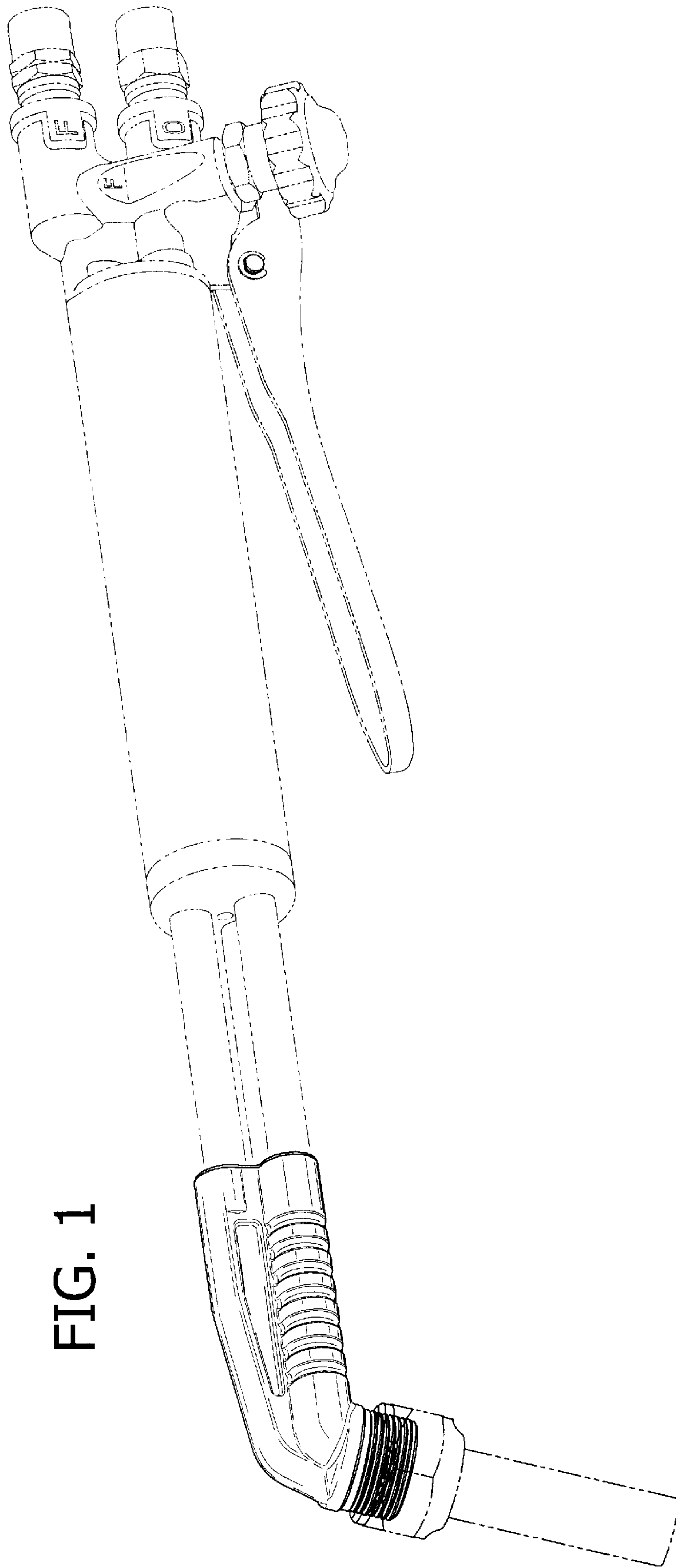


FIG. 1

FIG. 2

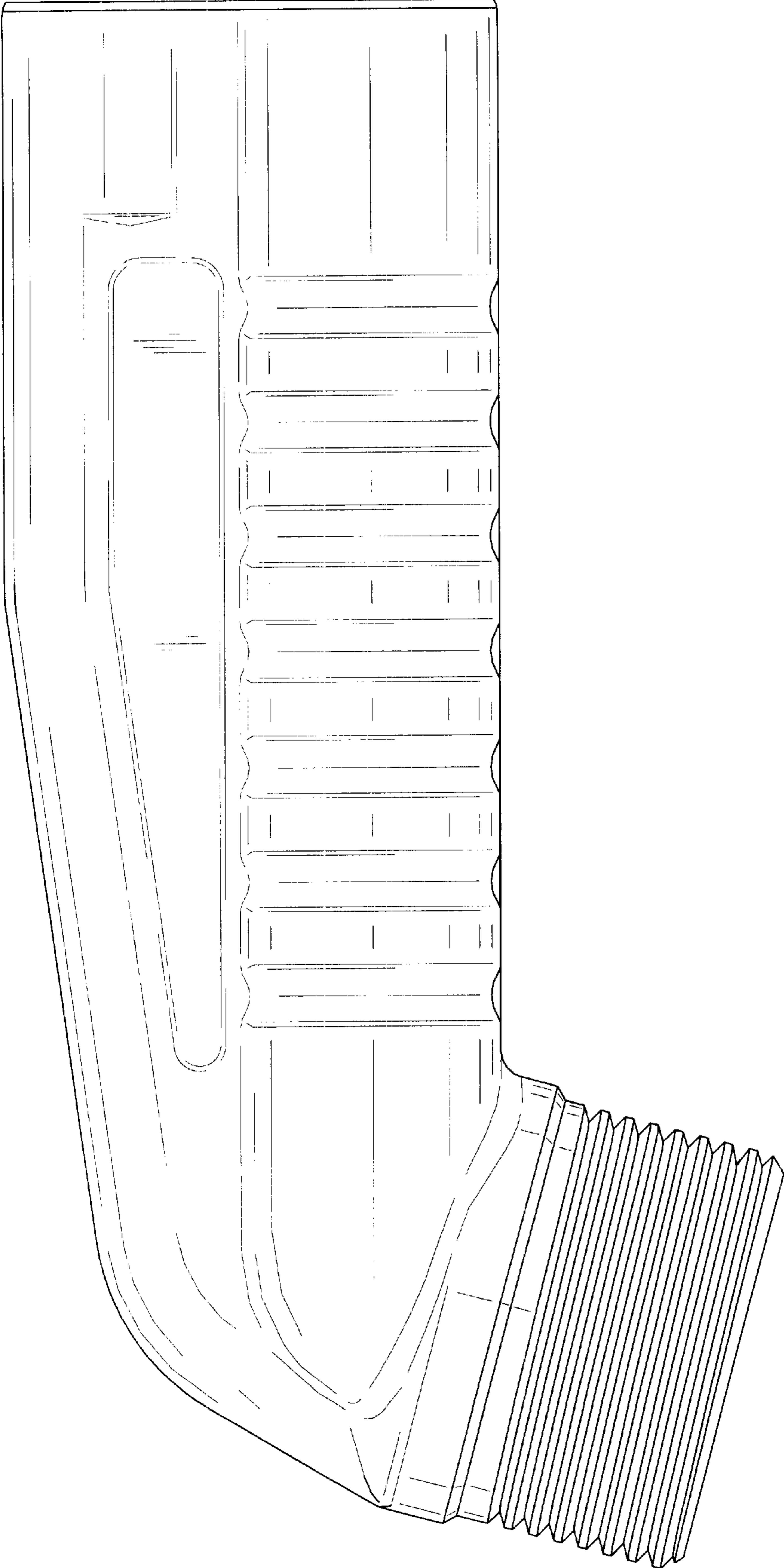


FIG. 3

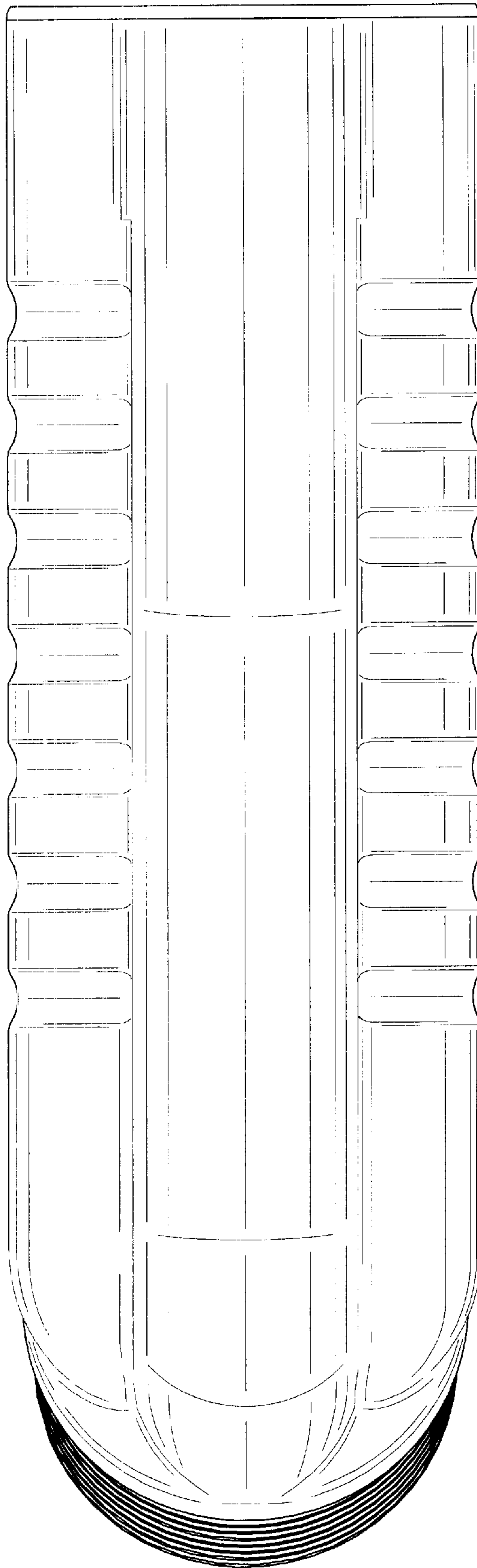
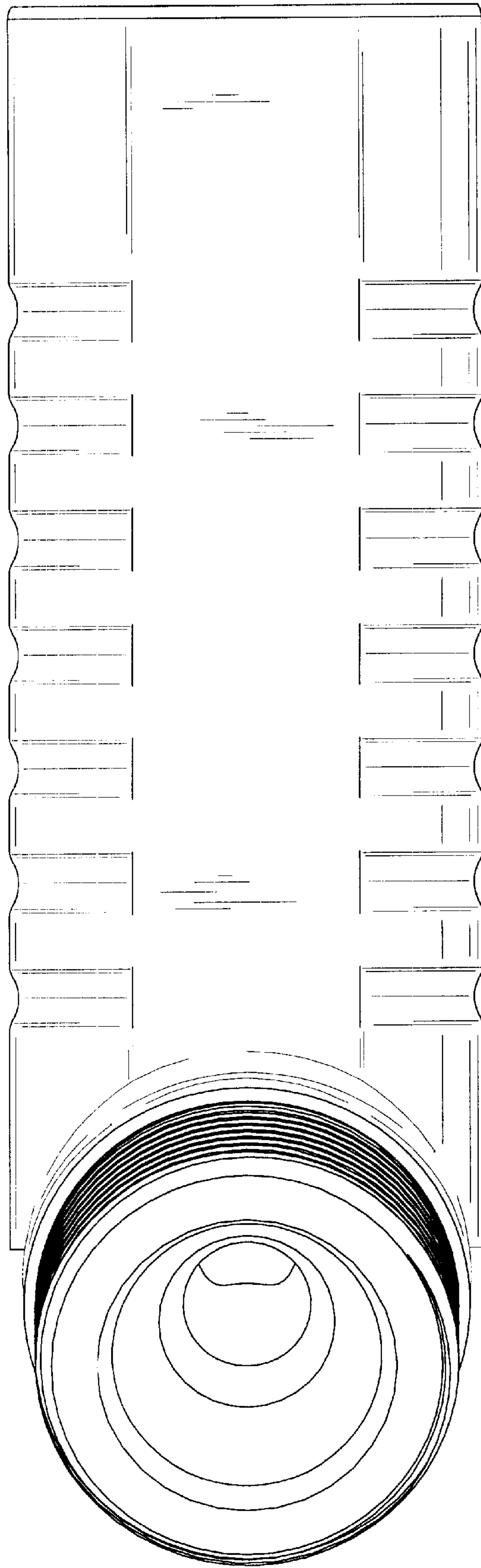


FIG. 4



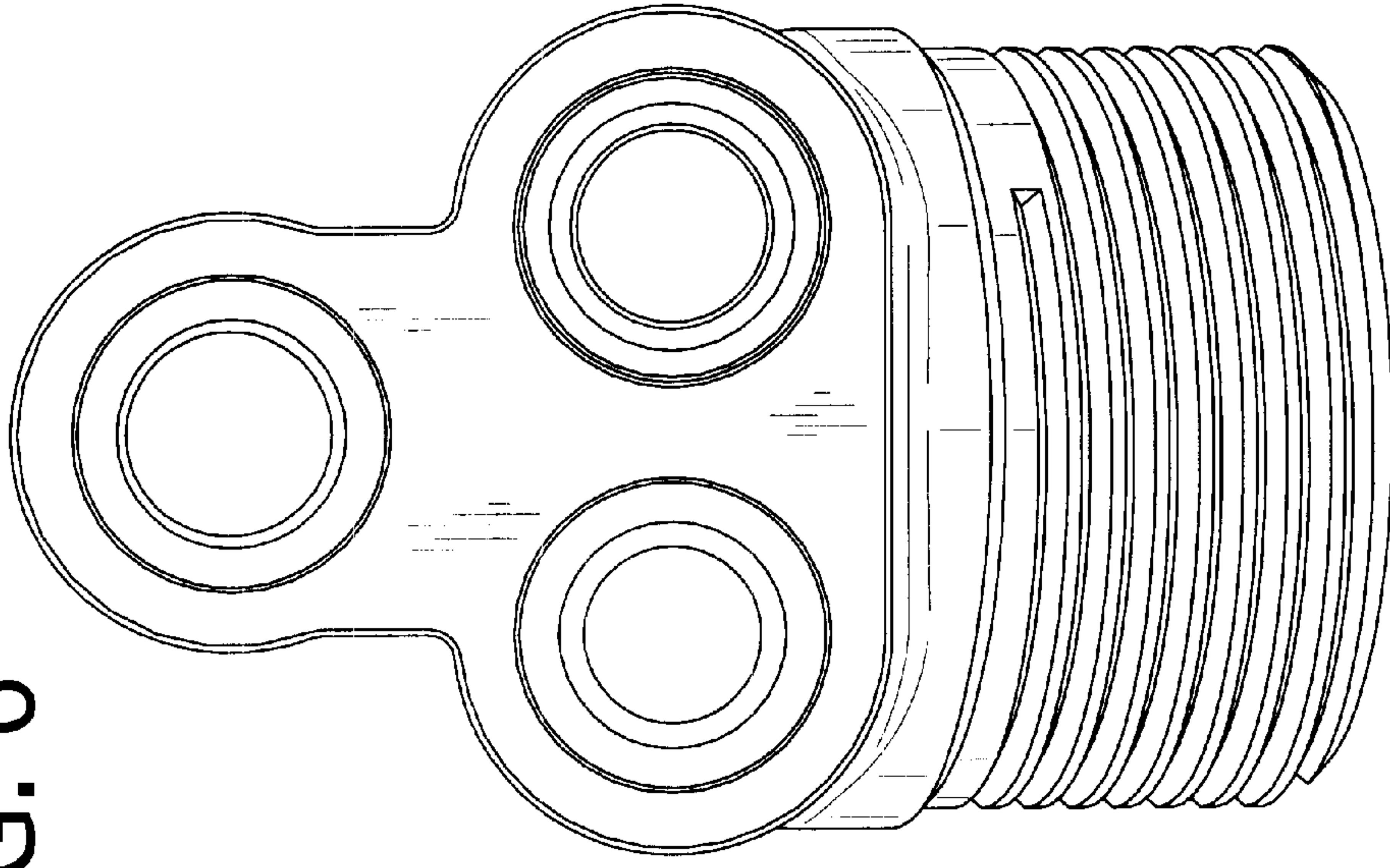


FIG. 6

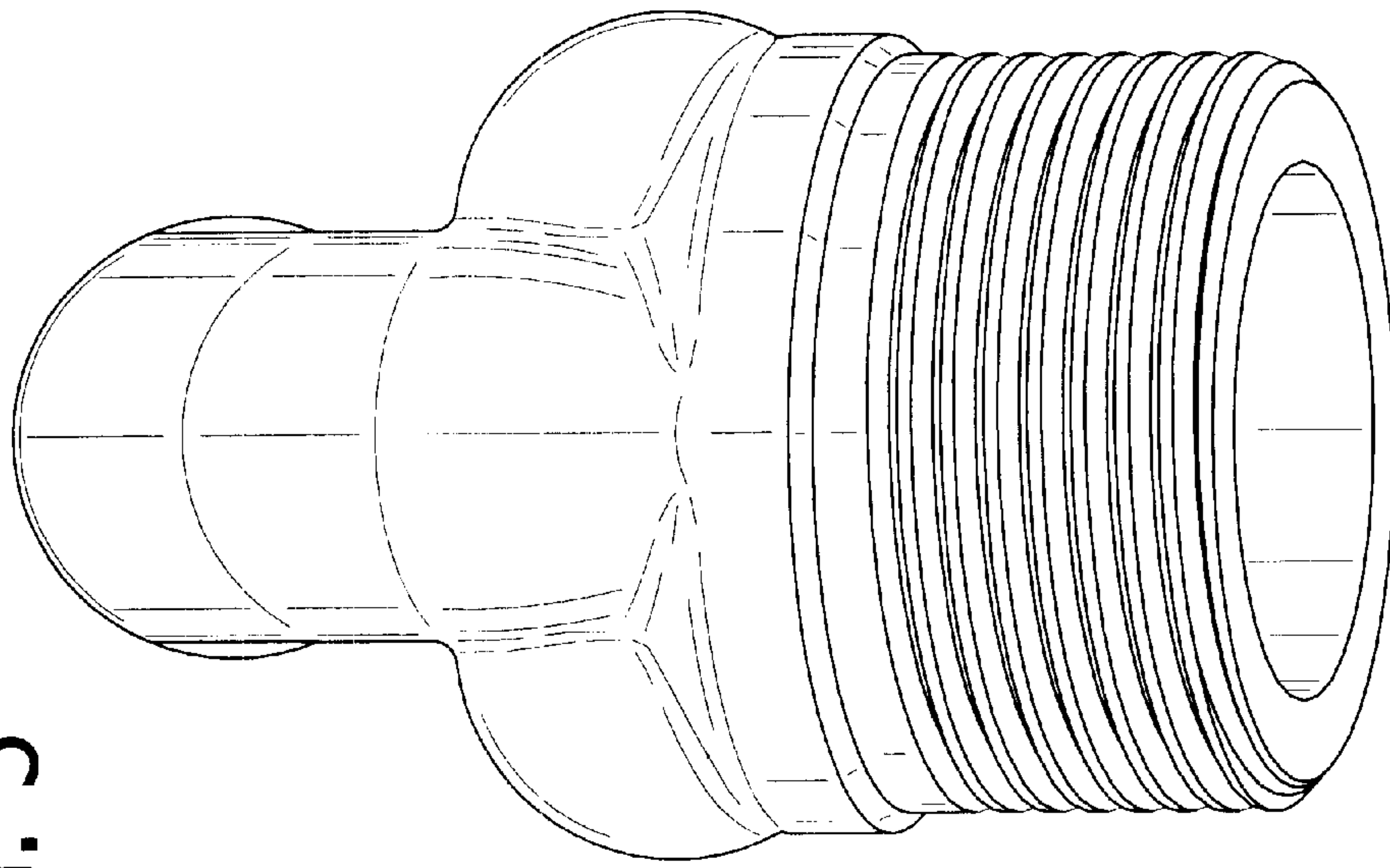


FIG. 5

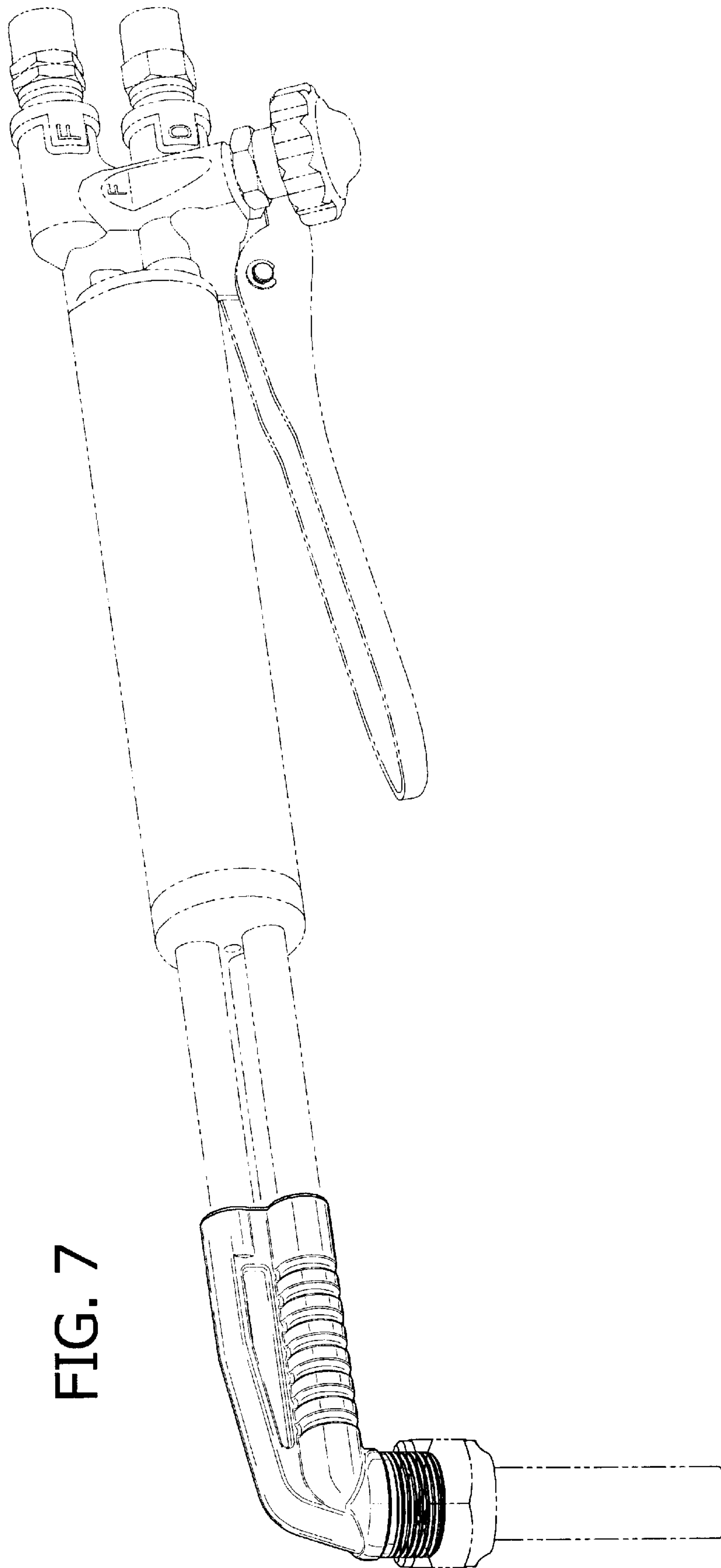


FIG. 7

FIG. 8

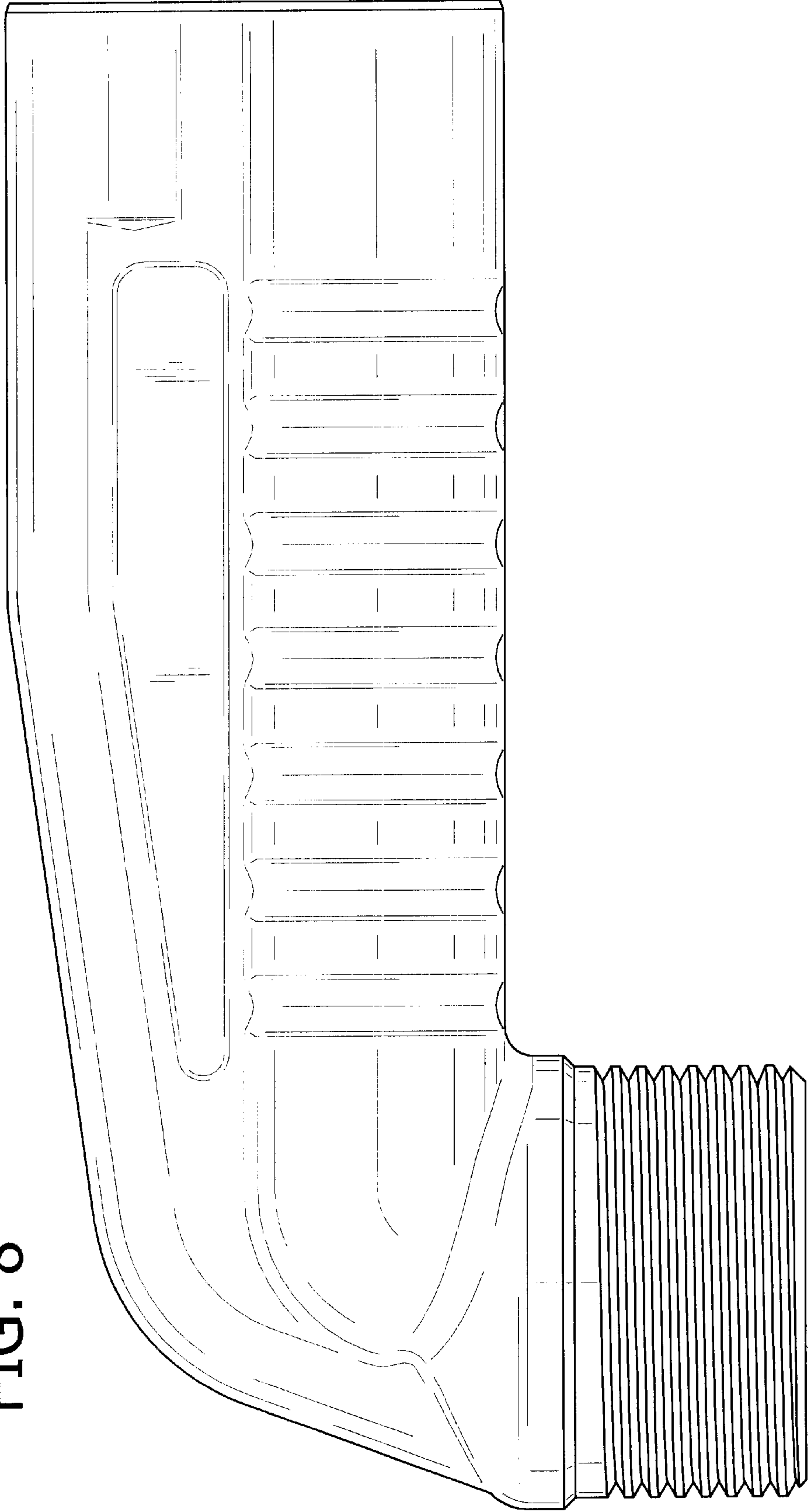


FIG. 9

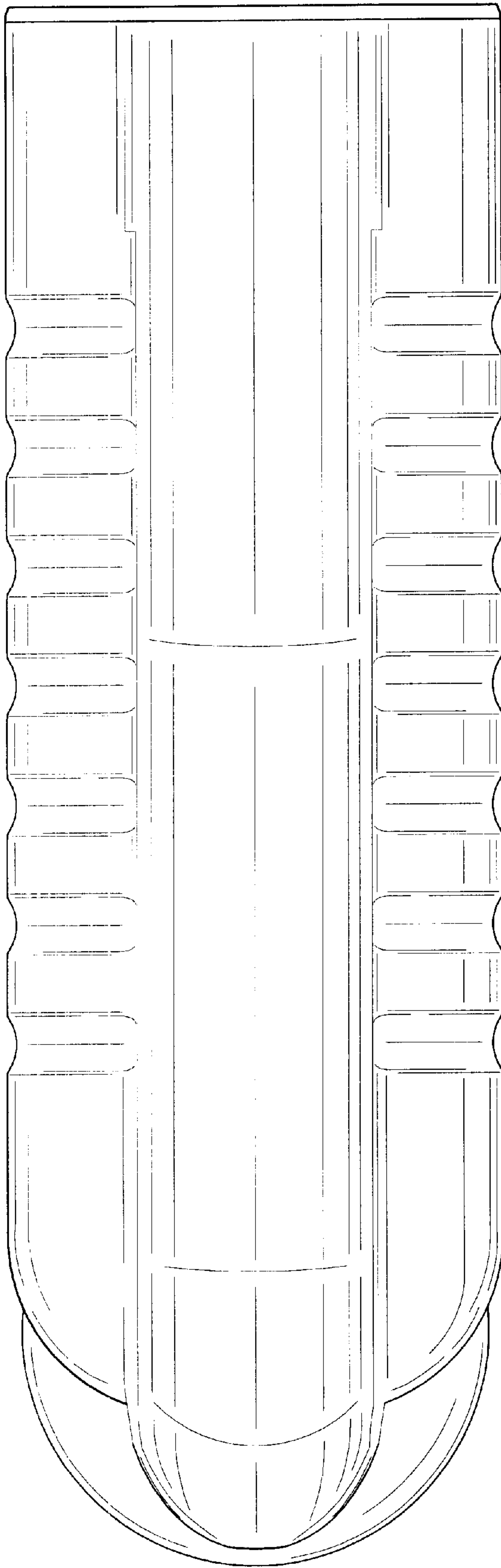


FIG. 10

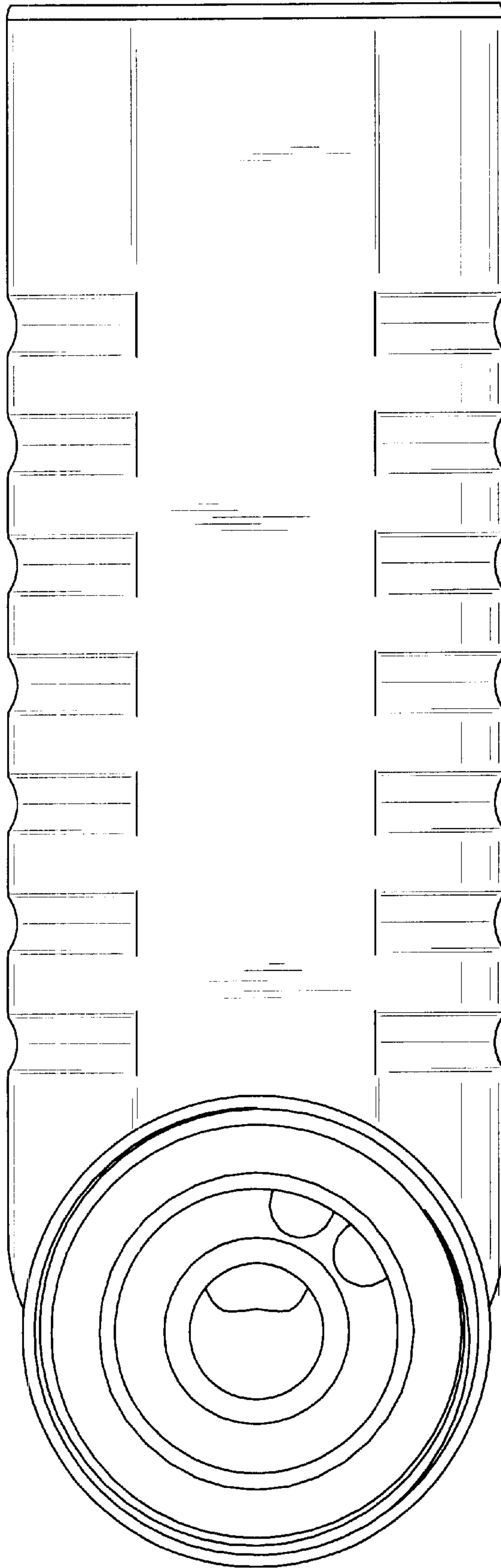


FIG. 12

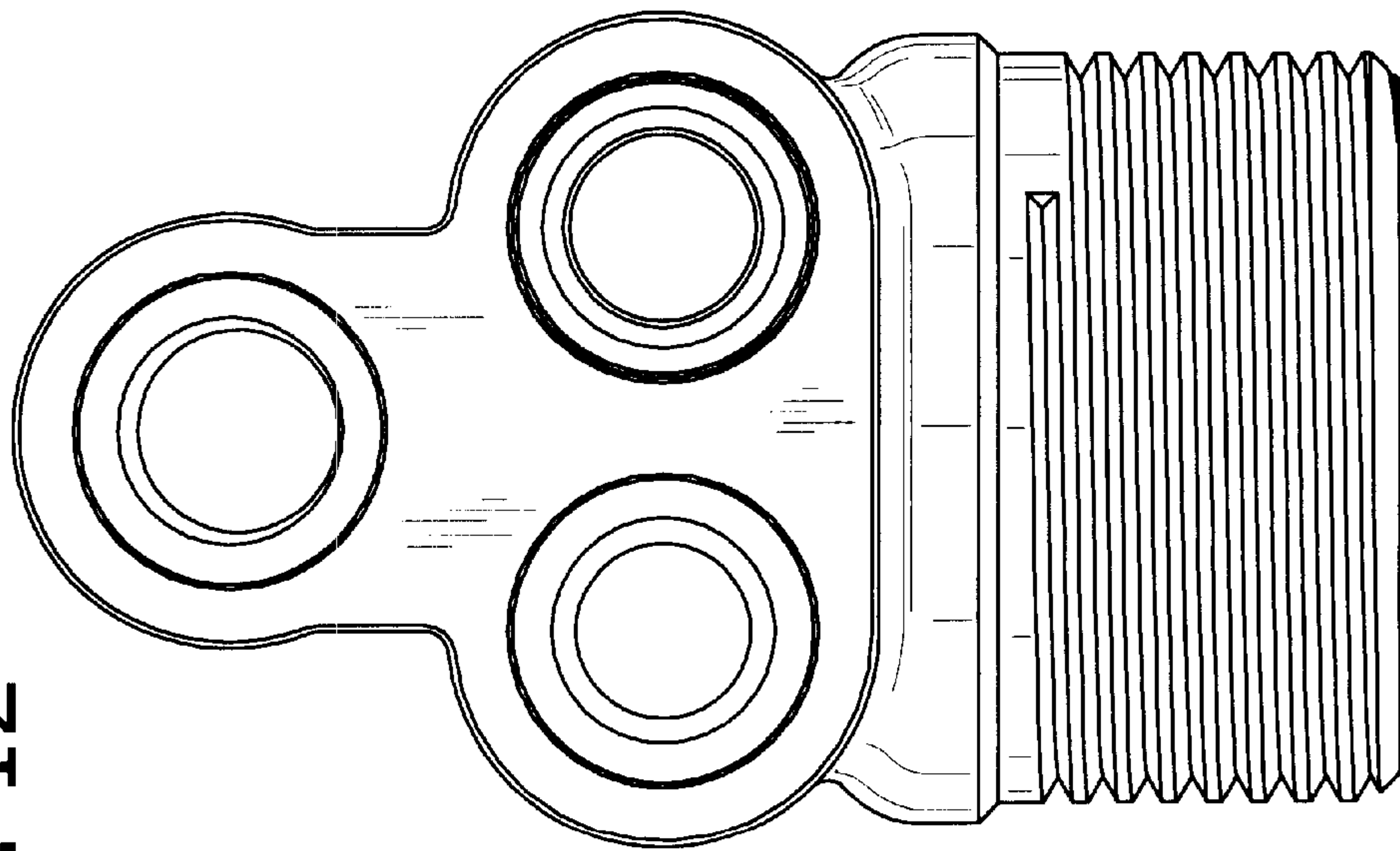


FIG. 11

