



US00D476533S

(12) **United States Design Patent**
Hunter

(10) **Patent No.:** **US D476,533 S**

(45) **Date of Patent:** **** Jul. 1, 2003**

(54) **INSULATED CONTAINER**

(76) Inventor: **John W. Hunter**, 7100 Gallery Ct.,
Germantown, TN (US) 38138

(**) Term: **14 Years**

(21) Appl. No.: **29/165,988**

(22) Filed: **Aug. 20, 2002**

Related U.S. Application Data

(63) Continuation-in-part of application No. 29/150,307, filed on
Nov. 20, 2001, now Pat. No. Des. 466,372.

(51) **LOC (7) Cl.** **07-01**

(52) **U.S. Cl.** **D7/605**

(58) **Field of Search** D7/605-608; 62/457.1-457.7,
62/371, 372; 220/592.2, 592.24, 592.25,
915.1, 915.2

(56) **References Cited**

U.S. PATENT DOCUMENTS

2,961,124	A	*	11/1960	Hunter et al.	206/163
D194,639	S	*	2/1963	Szantay	D7/605
4,280,336	A	*	7/1981	Taylor	62/457.5
D315,659	S	*	3/1991	DeLeon et al.	D7/606

* cited by examiner

Primary Examiner—Terry A. Wallace

(74) *Attorney, Agent, or Firm*—Walker, McKenzie &
Walker, P.C.

(57) **CLAIM**

The ornamental design for an insulated container, as shown
and described.

DESCRIPTION

FIG. 1 is a perspective view of an insulated container,
showing a preferred embodiment of my new design, as taken
from the front, left.

FIG. 2 is a front elevation of the insulated container of FIG.
1, the rear elevation being substantially a mirror image
thereof.

FIG. 3 is a right end elevation of the insulated container of
FIG. 1, the left end elevation being substantially a mirror
image thereof.

FIG. 4 is a bottom plan view of the insulated container of
FIG. 1; and,

FIG. 5 is a top plan view of insulated container of FIG. 1.

A handle is shown in broken lines in FIG. 1 for illustrative
purposes only and forms no part of the claimed design.

Portions of the insulated container are shown broken away
in FIGS. 1, 2 and 3 to indicate indeterminate height.

1 Claim, 3 Drawing Sheets

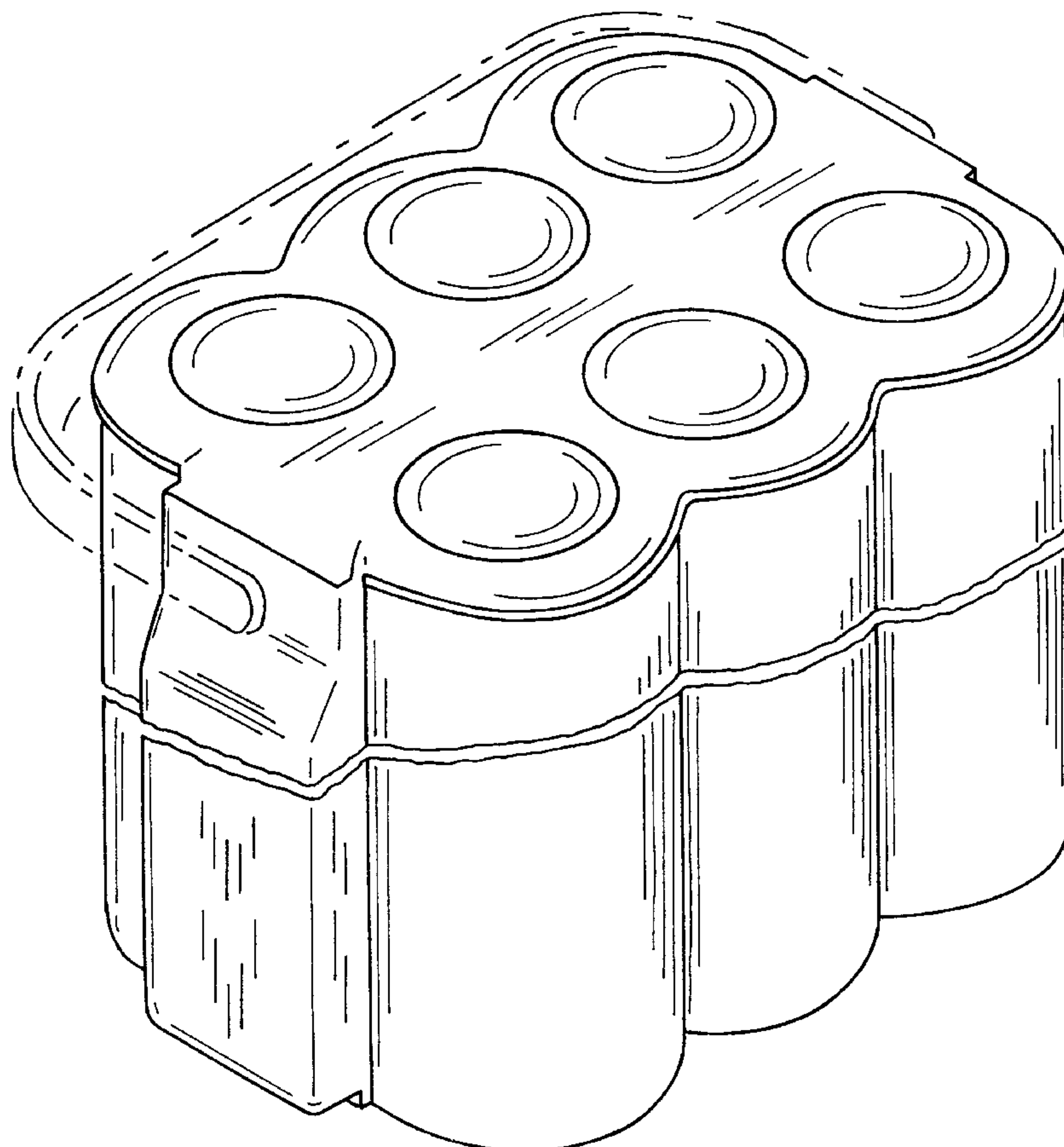


FIG. 1

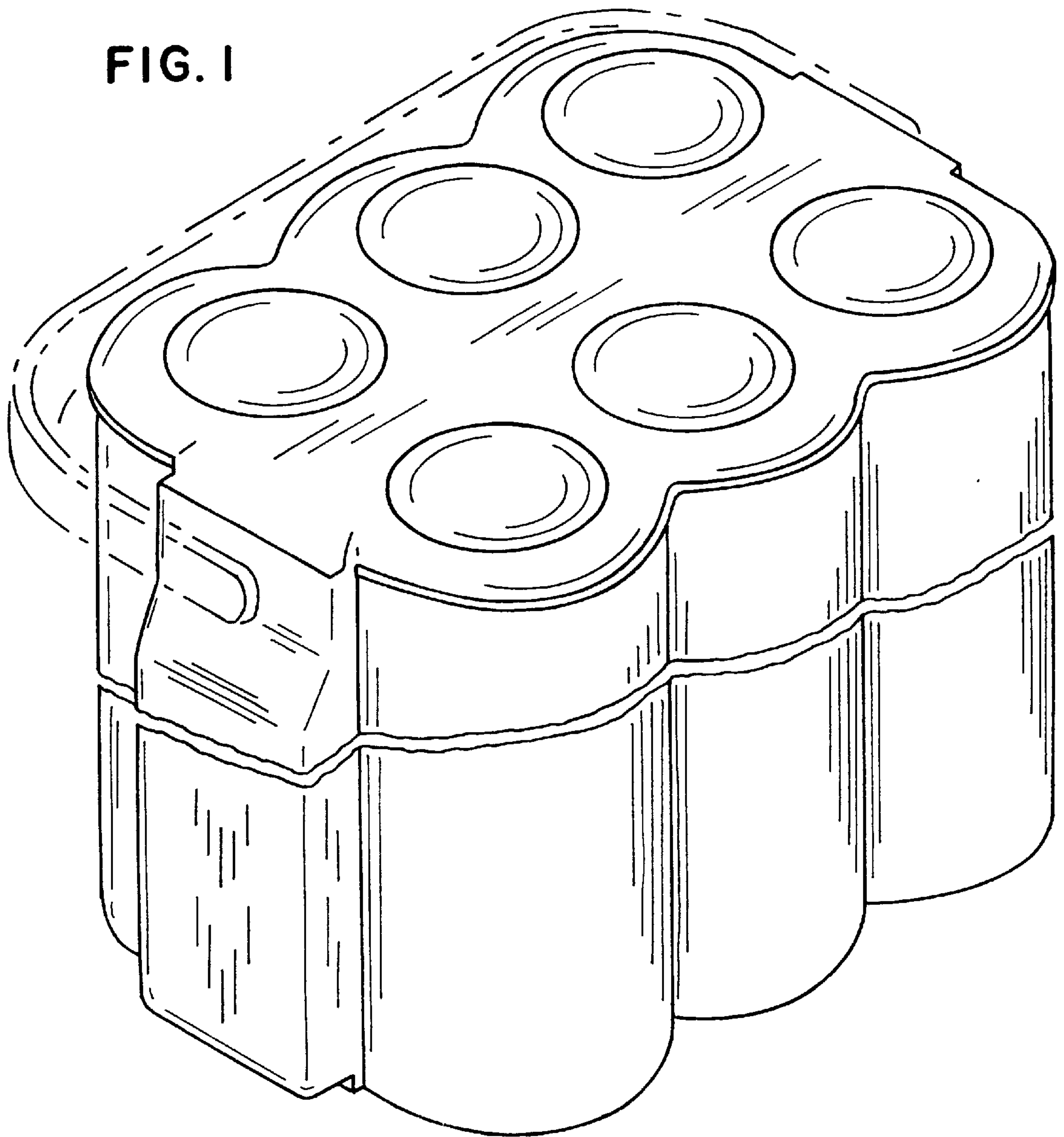


FIG. 2

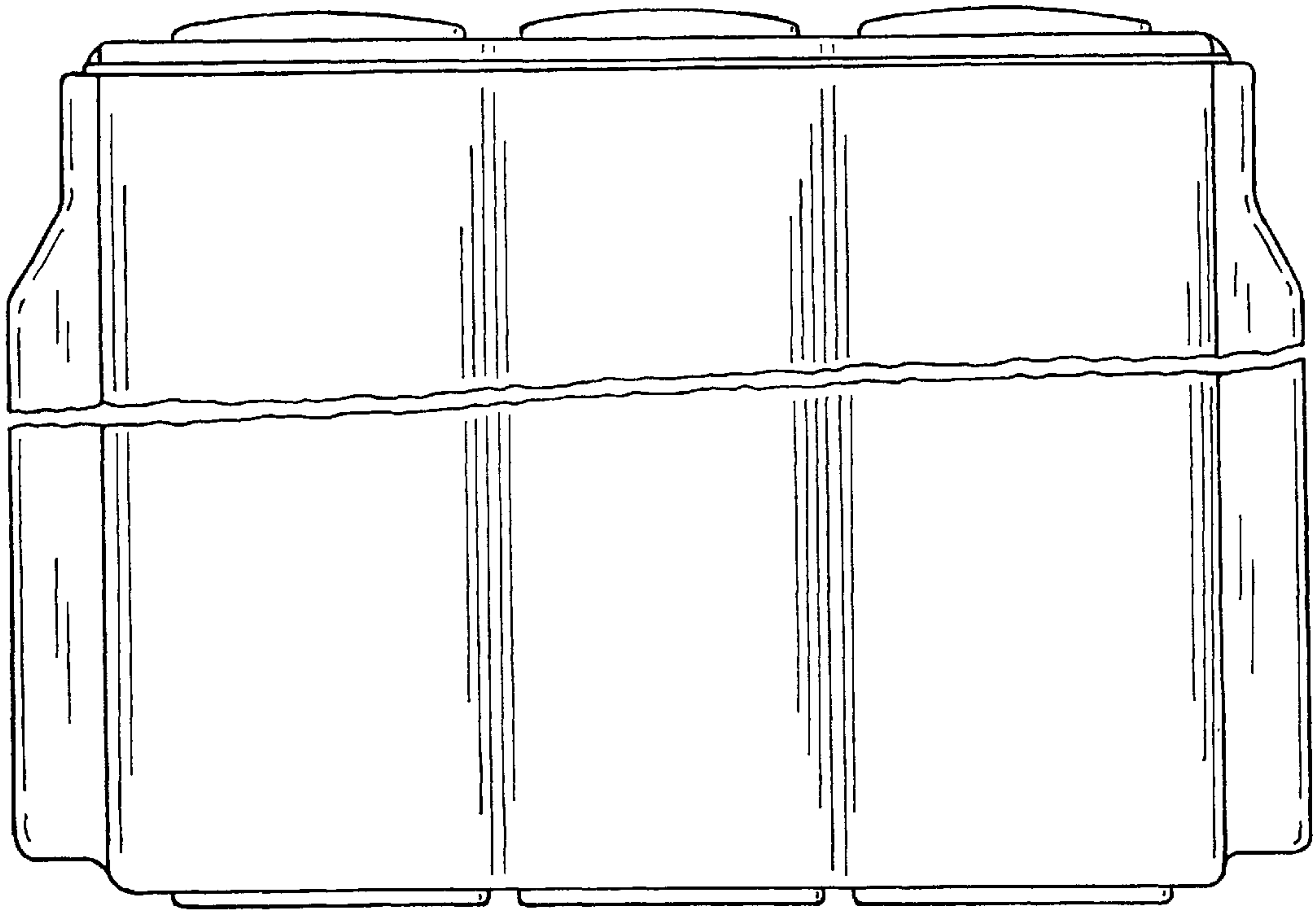


FIG. 3

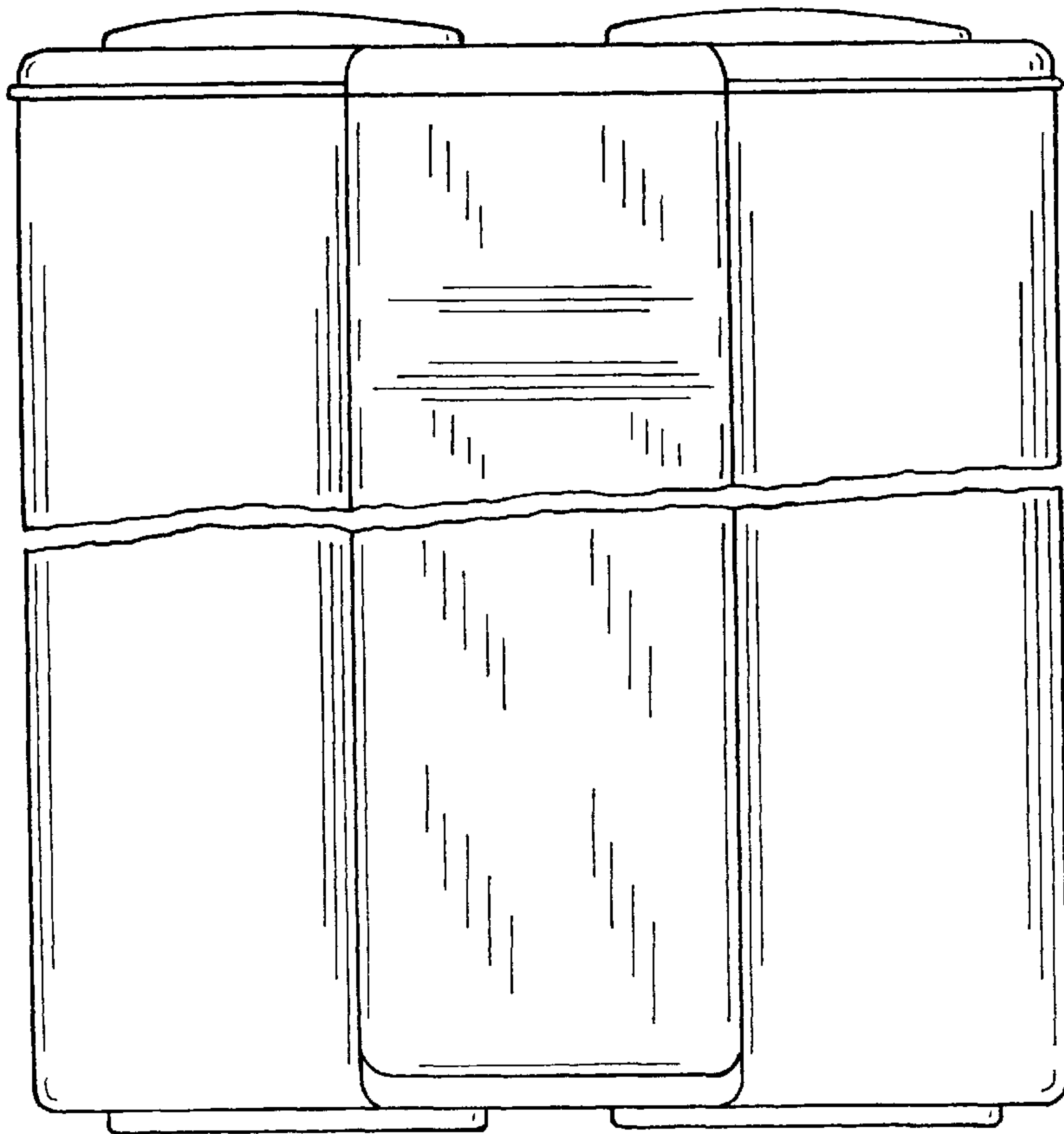


FIG. 4

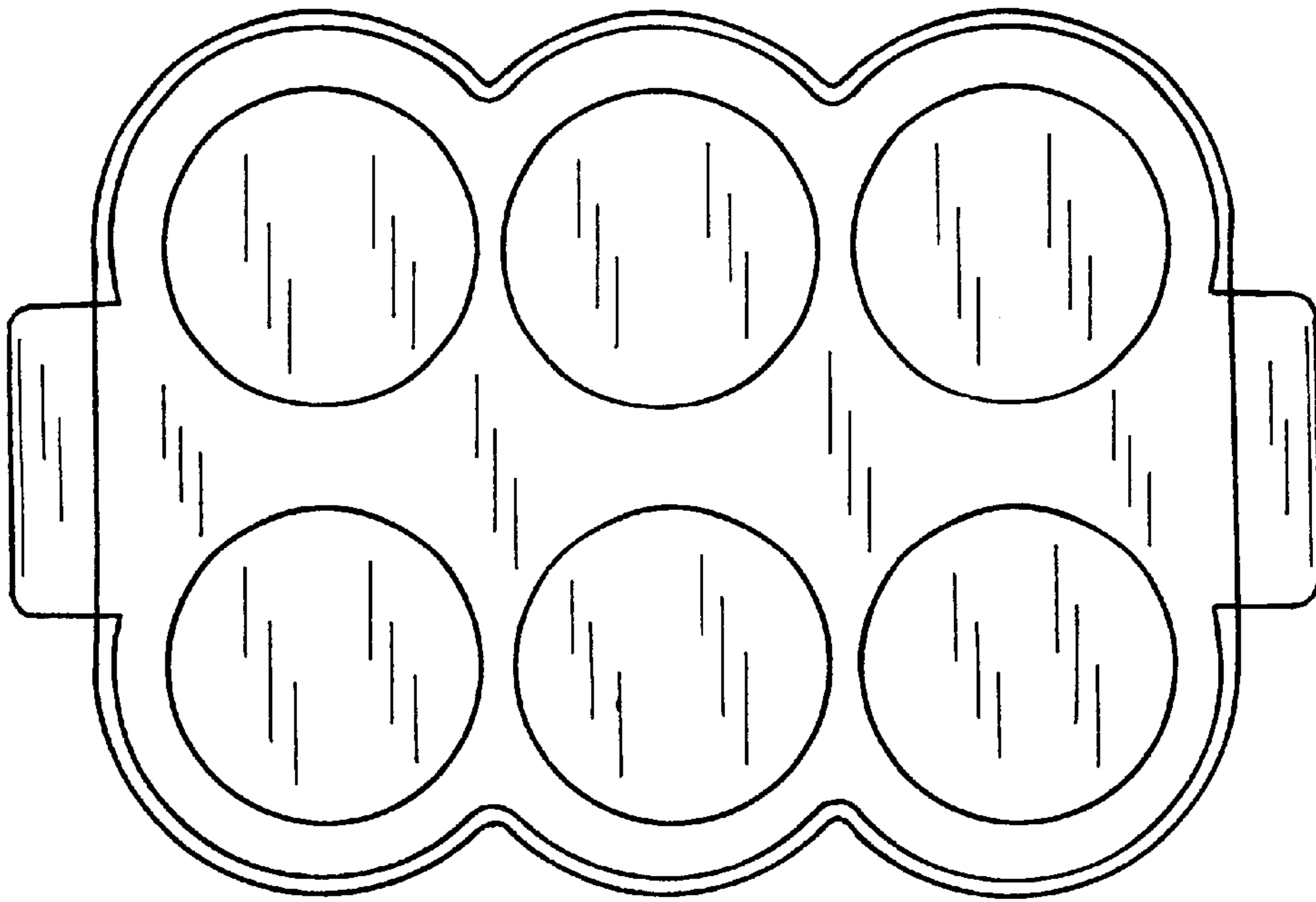


FIG. 5

