



US00D476528S

(12) **United States Design Patent**
Janky et al.

(10) **Patent No.: US D476,528 S**
(45) **Date of Patent: ** Jul. 1, 2003**

- (54) **MUG**
- (75) Inventors: **Gregory T. Janky**, Sammamish, WA (US); **Neil Burch**, Seattle, WA (US)
- (73) Assignee: **Pacific Market, Inc.**, Seattle, WA (US)
- (**) Term: **14 Years**
- (21) Appl. No.: **29/152,263**
- (22) Filed: **Oct. 29, 2001**
- (51) **LOC (7) Cl. 07-01**
- (52) **U.S. Cl. D7/536; D7/510; D7/511; D7/532**
- (58) **Field of Search D7/510, 511, 536, D7/533, 509, 507, 532; 222/568, 603; 220/714, 711, 703, 705, 574, 603, 592.16; 215/379, 12.1, 376, 388, 387, DIG. 7**

- 5,294,018 A * 3/1994 Boucher 220/603
- D394,187 S 5/1998 Orrico et al.
- D406,012 S 2/1999 Indeku
- D406,985 S 3/1999 Trombly
- D409,446 S 5/1999 John et al.
- D411,713 S 6/1999 Bridges
- D418,013 S 12/1999 Fujii
- D462,579 S * 9/2002 Janky D7/536
- D462,875 S * 9/2002 Norris et al. D7/533
- D465,132 S * 11/2002 Janky et al. D7/510

OTHER PUBLICATIONS

The Thermos Company, Unbreakable Mugs JMC 250G, magazine, USA.
 The Thermos Company, Vacuum Insulated Mug JMJ 180/JMJ 350, magazine, USA.
 Highwave Incorporated, Highwave Designs for '95, catalog, USA.
 Pacific Market, Inc., (design sold at least as early as 1996).
 Pacific Market, Inc., (design sold at least as early as 1996).
 Pacific Market, Inc., (design sold at least as early as 1996).
 Pacific Market, Inc., (design disclosed at least as early as 1997).
 Centura By Corning Catalog 1968 (8 oz. tall cup).

(56) **References Cited**

U.S. PATENT DOCUMENTS

- D100,850 S 8/1936 Cowan
- D100,852 S 8/1936 Cowan
- D165,680 S 1/1952 Cowan
- D166,014 S 2/1952 Wright
- D170,409 S 9/1953 Hare
- D184,518 S 3/1959 Folley
- D184,566 S 3/1959 Holzworth et al.
- 2,895,636 A 7/1959 Martin
- D194,053 S 11/1962 Cornelius
- D202,643 S 10/1965 Hoyt
- 3,224,629 A 12/1965 Cummings
- 3,313,447 A 4/1967 Spencer
- D213,460 S 3/1969 Beckman et al.
- D224,623 S 8/1972 Ketcham et al.
- D231,068 S 4/1974 Douglas
- D269,147 S 5/1983 Trombly
- D277,921 S * 3/1985 Otto D7/536
- D288,270 S 2/1987 Winterling
- D288,397 S 2/1987 Unger
- 4,765,465 A 8/1988 Yamada et al.
- D319,557 S 9/1991 Unger
- D321,113 S 10/1991 Unger

* cited by examiner

Primary Examiner—M. N. Pandozzi
(74) *Attorney, Agent, or Firm*—Seed I P Law Group PLLC

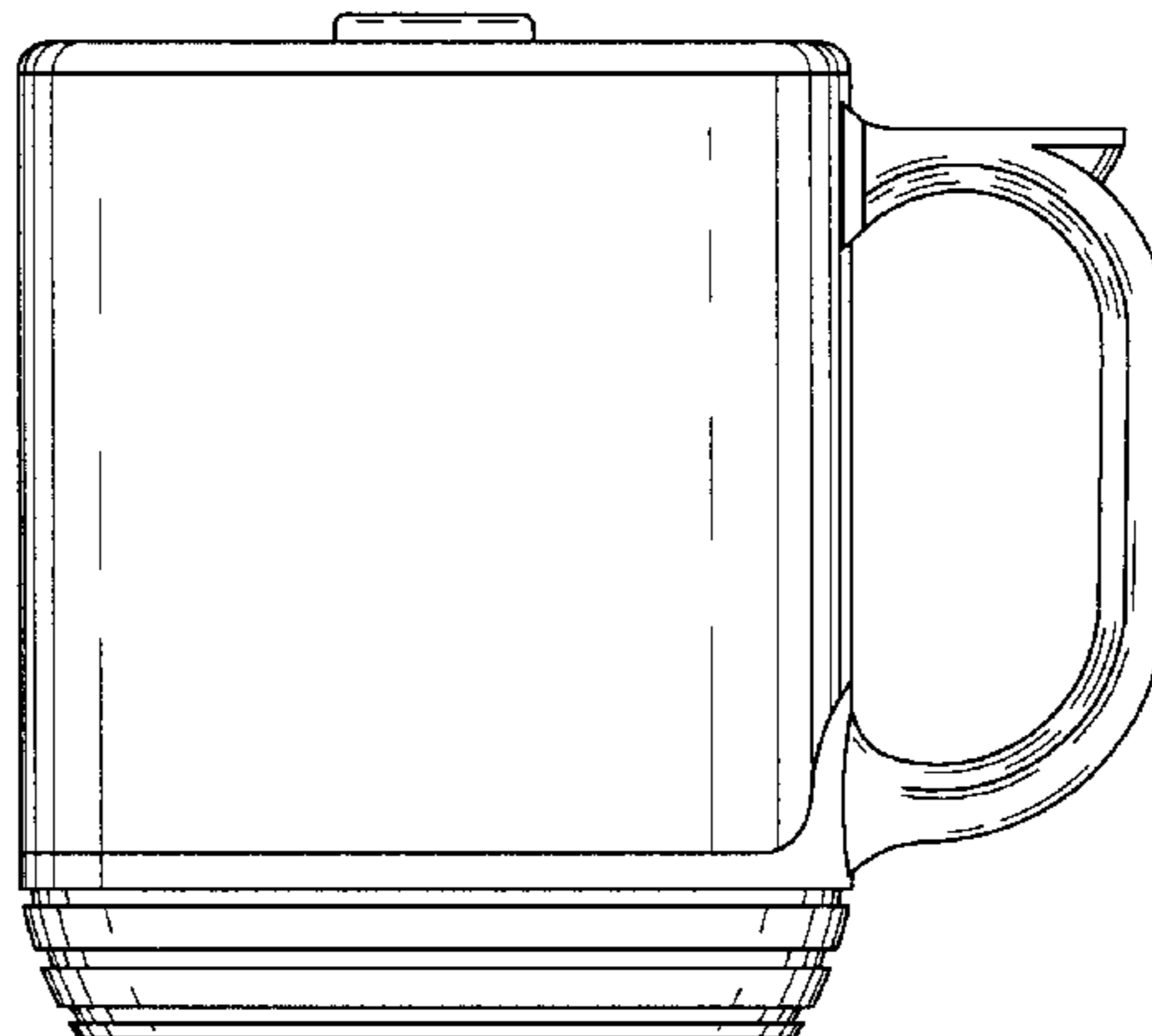
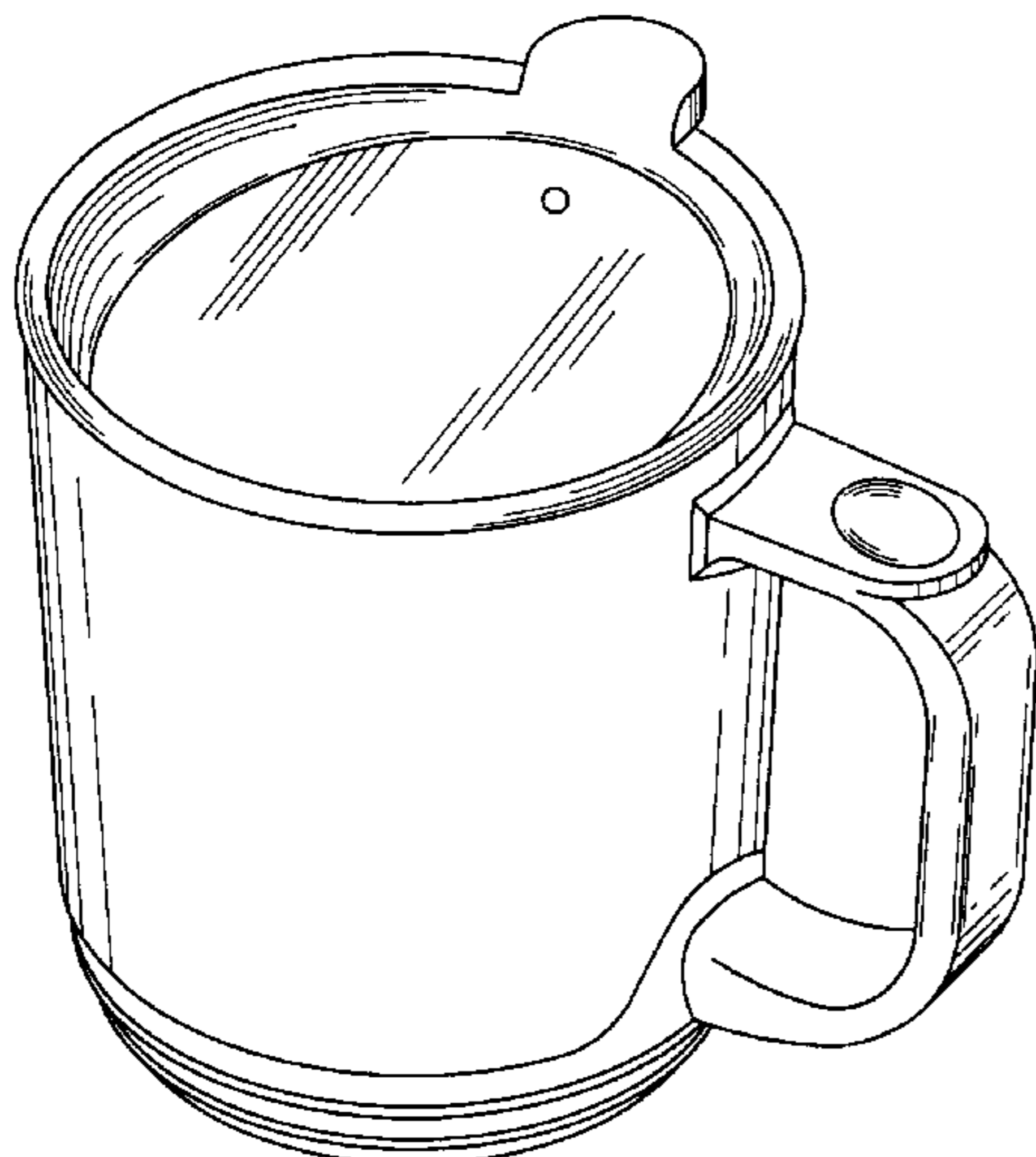
(57) **CLAIM**

The ornamental design for a mug, as shown and described.

DESCRIPTION

FIG. 1 is a top right perspective view of a mug, showing our new design.
 FIG. 2 is a front elevational view of the design.
 FIG. 3 is a right side elevational view of the design.
 FIG. 4 is a rear elevational view of the design.
 FIG. 5 is a left side elevational view of the design.
 FIG. 6 is a top plan view of the design; and,
 FIG. 7 is a bottom plan view of the design.

1 Claim, 3 Drawing Sheets



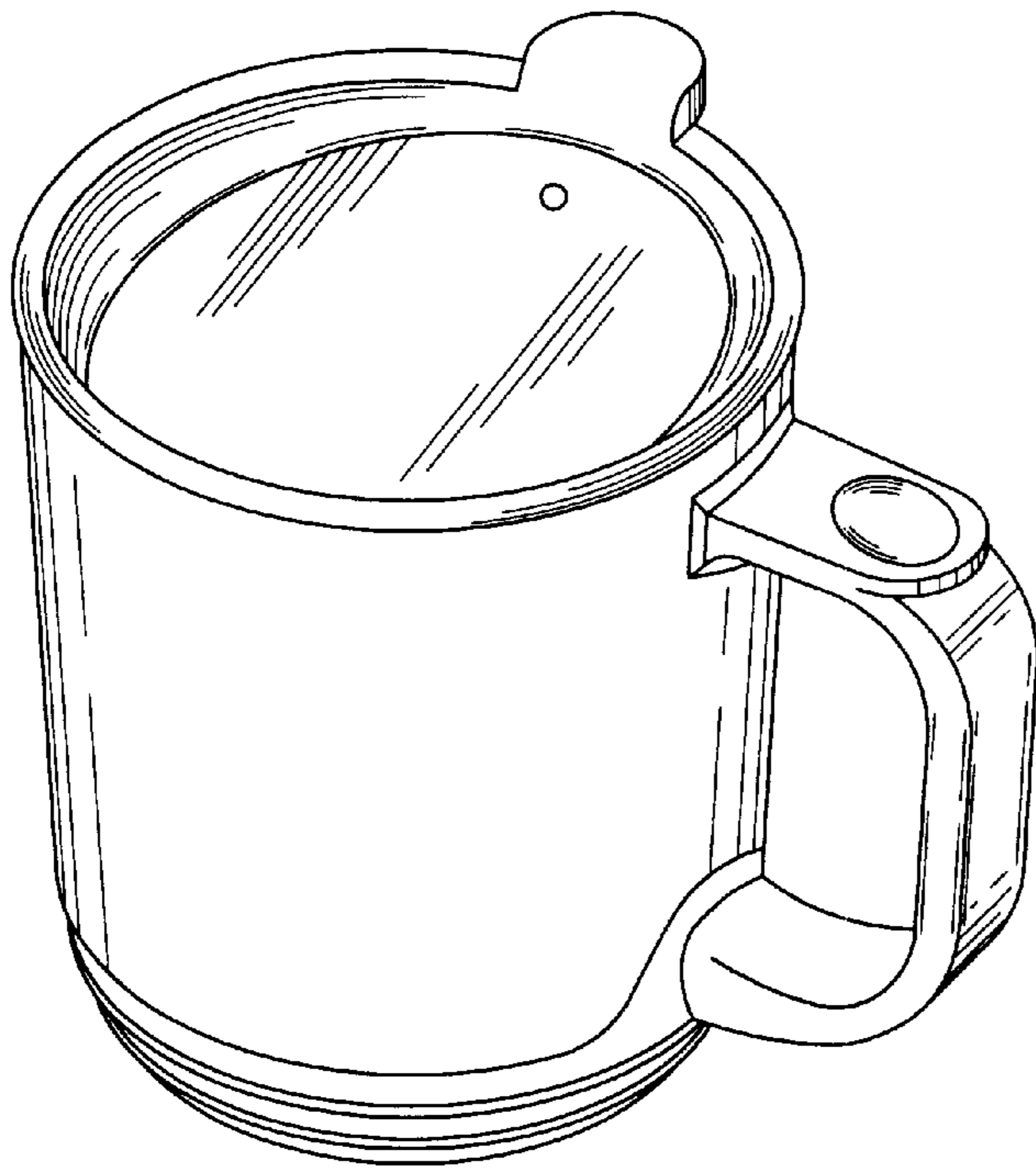


FIG. 1

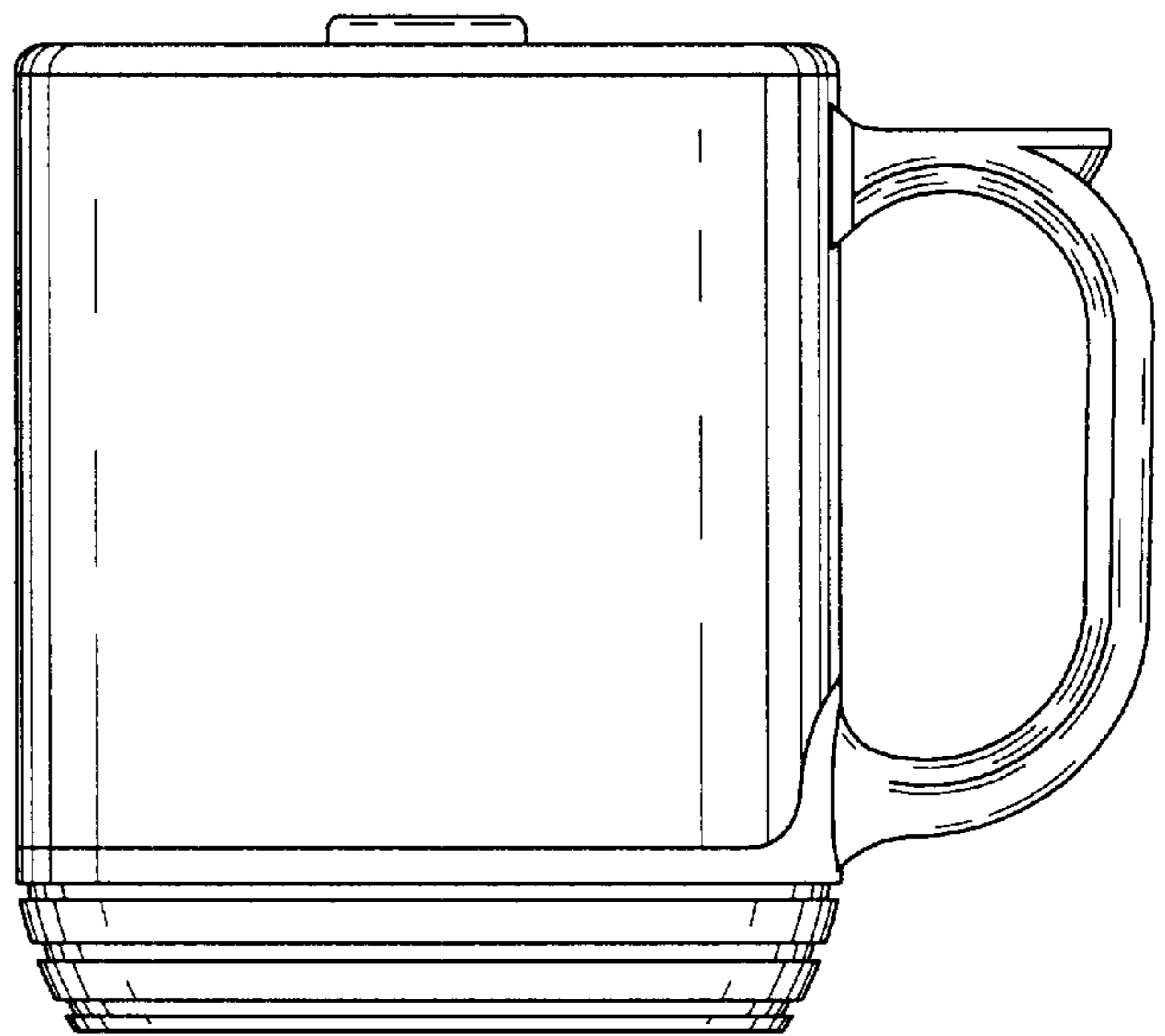


FIG. 2

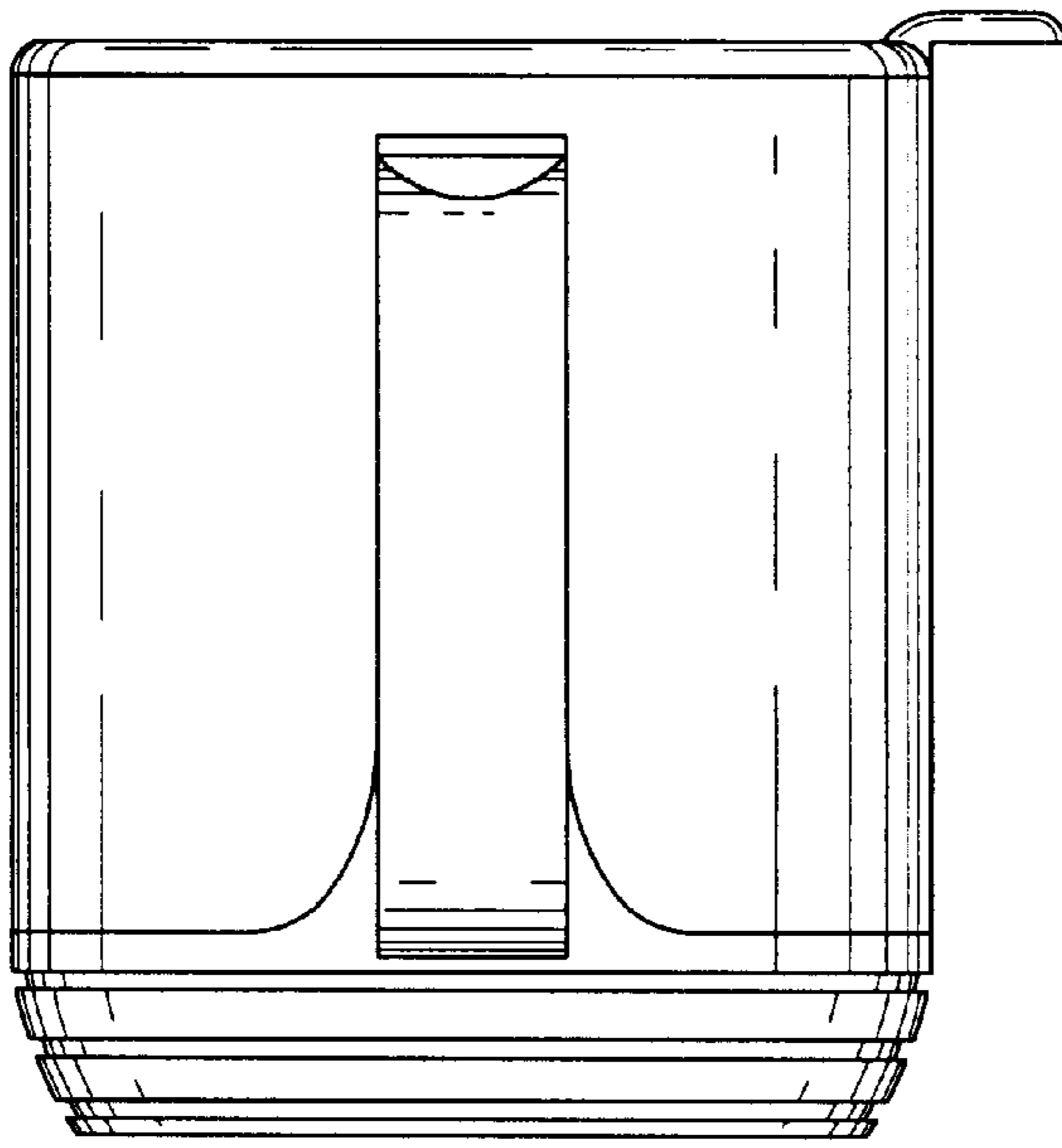


FIG. 3

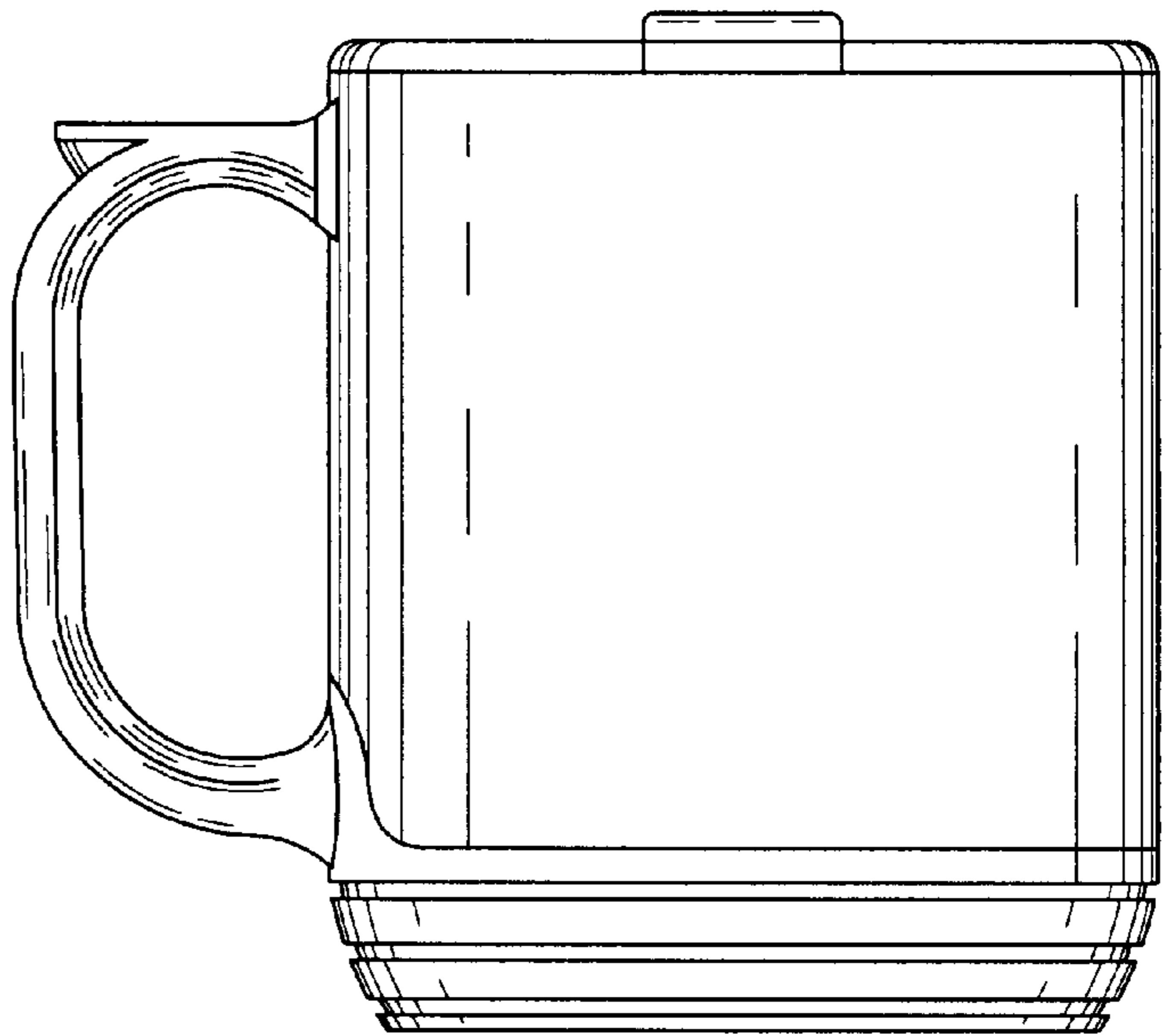


FIG. 4

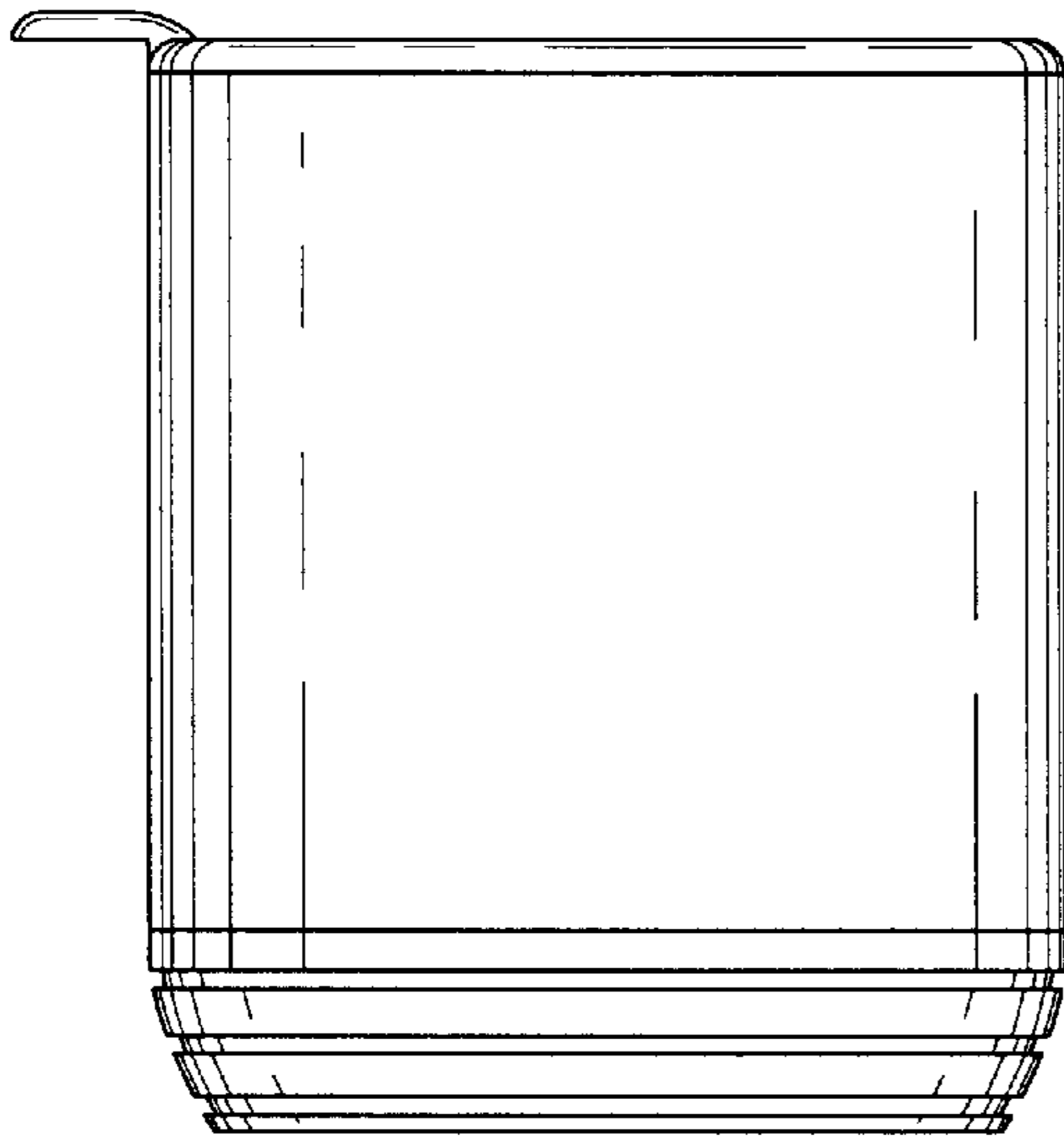


FIG. 5

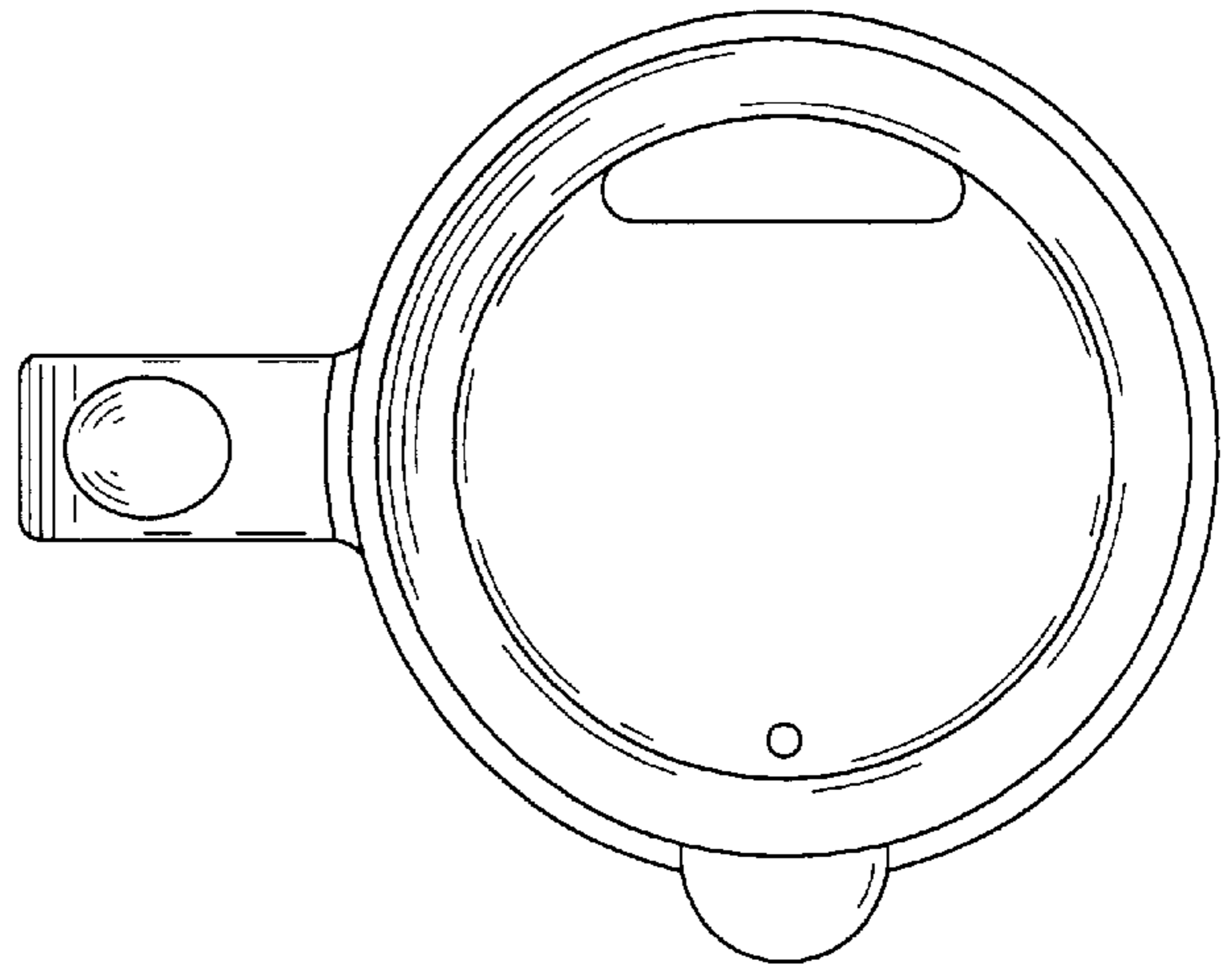


FIG. 6

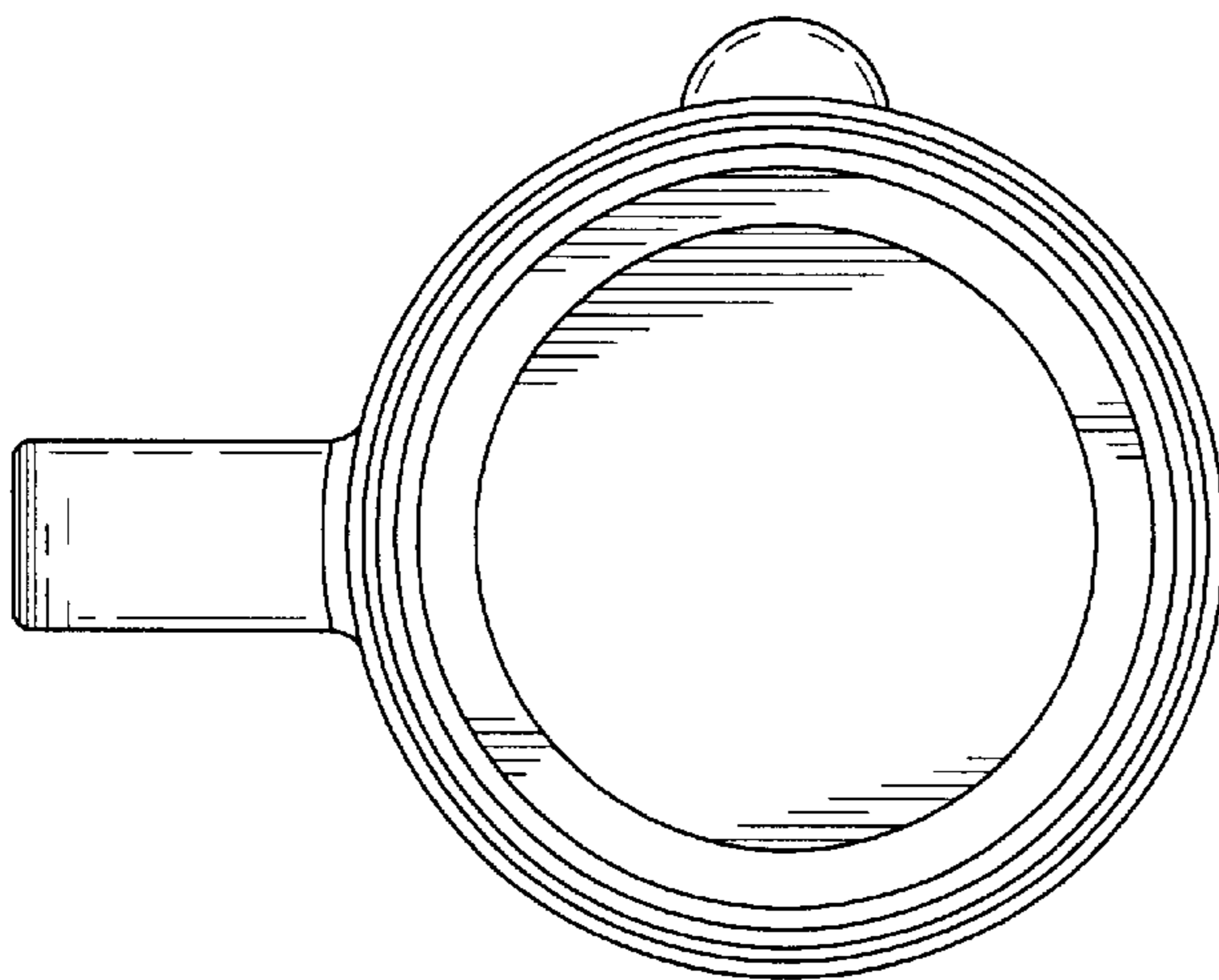


FIG. 7