



US00D476526S

(12) **United States Design Patent**  
**Kerman**

(10) **Patent No.:** **US D476,526 S**

(45) **Date of Patent:** **\*\* Jul. 1, 2003**

- (54) **STEM FOR AN ARTICLE OF STEMWARE**
- (75) Inventor: **Staci Lynn Kerman**, Ann Arbor, MI (US)
- (73) Assignee: **Libbey Glass Inc.**, Toledo, OH (US)
- (\*\*) Term: **14 Years**
- (21) Appl. No.: **29/158,903**
- (22) Filed: **Apr. 12, 2002**
- (51) **LOC (7) Cl.** ..... **07-99**
- (52) **U.S. Cl.** ..... **D7/396.6; D7/537**
- (58) **Field of Search** ..... D7/396.6, 396.2,  
D7/522, 537, 524, 527, 507; 215/374; 428/187;  
65/DIG. 10

- D161,115 S \* 12/1950 Meier ..... D7/524
- D278,401 S \* 4/1985 Assez ..... D7/537
- 4,681,236 A \* 7/1987 Ilk ..... 215/374
- D317,101 S \* 5/1991 Wenzl ..... D7/537
- D355,812 S \* 2/1995 DuBow ..... D7/527
- D411,940 S \* 7/1999 Horvat ..... D7/507
- D445,645 S \* 7/2001 Thorpe ..... D7/505
- D459,944 S \* 7/2002 Kerman ..... D7/396.6

\* cited by examiner

*Primary Examiner*—M. N. Pandozzi

(74) *Attorney, Agent, or Firm*—Emch, Schaffer, Schaub & Porcello Co., L.P.A.

(57) **CLAIM**

The ornamental design for a stem for an article of stemware, as shown and described.

**DESCRIPTION**

FIG. 1 is a front elevational view of a stem for an article of stemware according to the present design; the back elevational view being the same;

FIG. 2 is a first side elevational view thereof; the second side elevational view being the same;

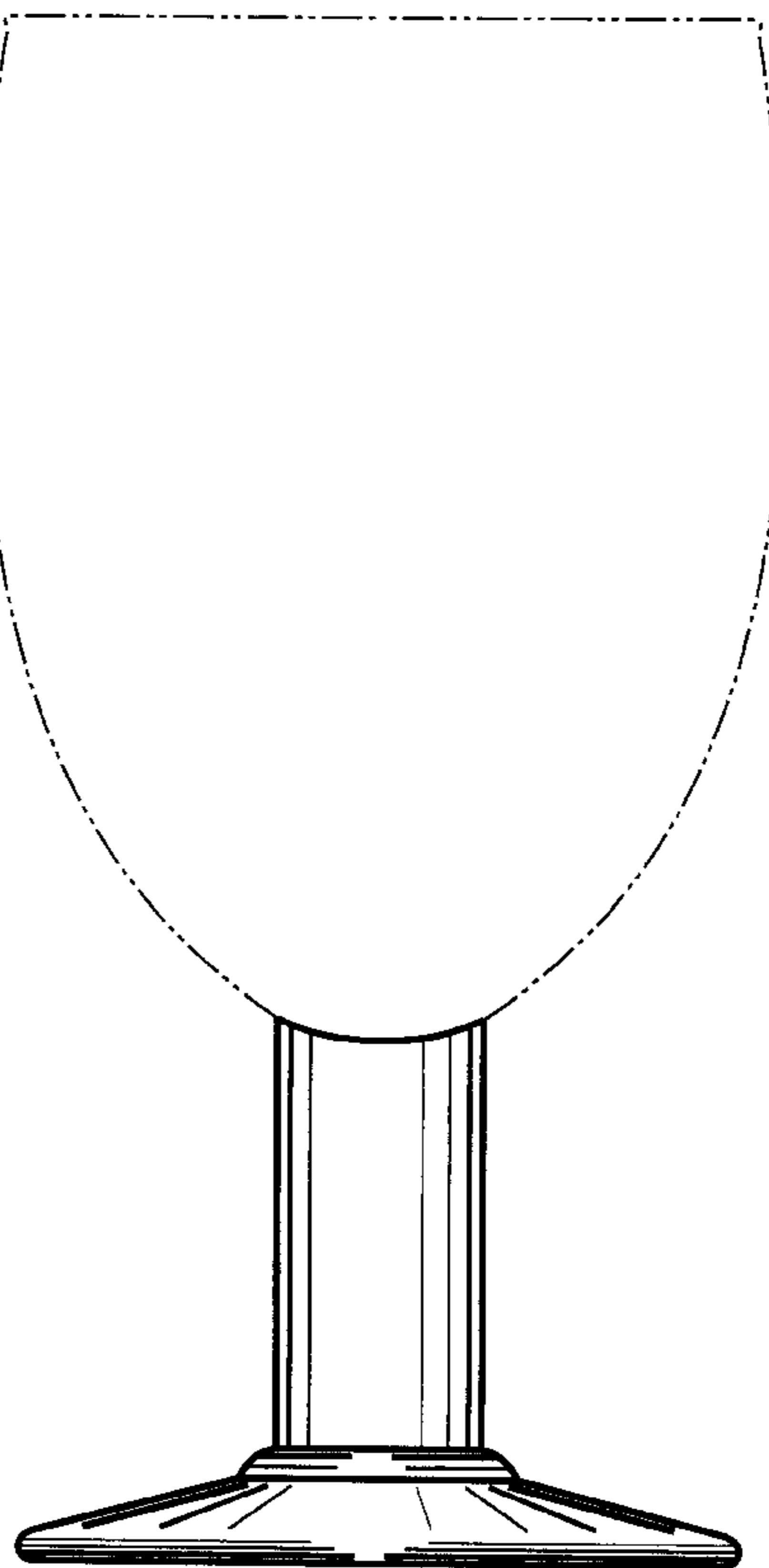
FIG. 3 is a top view thereof; and,

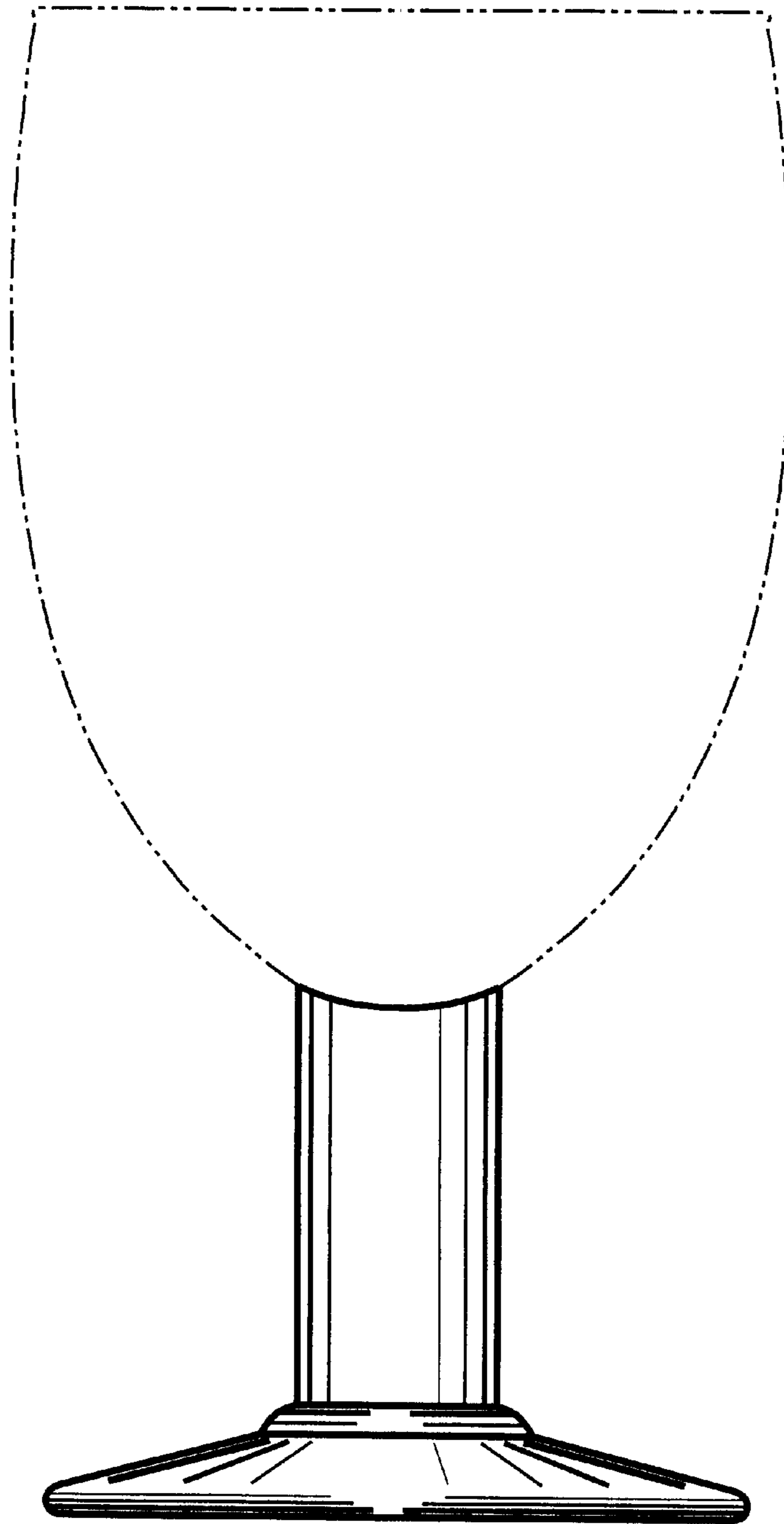
FIG. 4 is a bottom view thereof.

The broken lines shown in FIG. 1 are for illustrative purposes only and form no part of the claimed design.

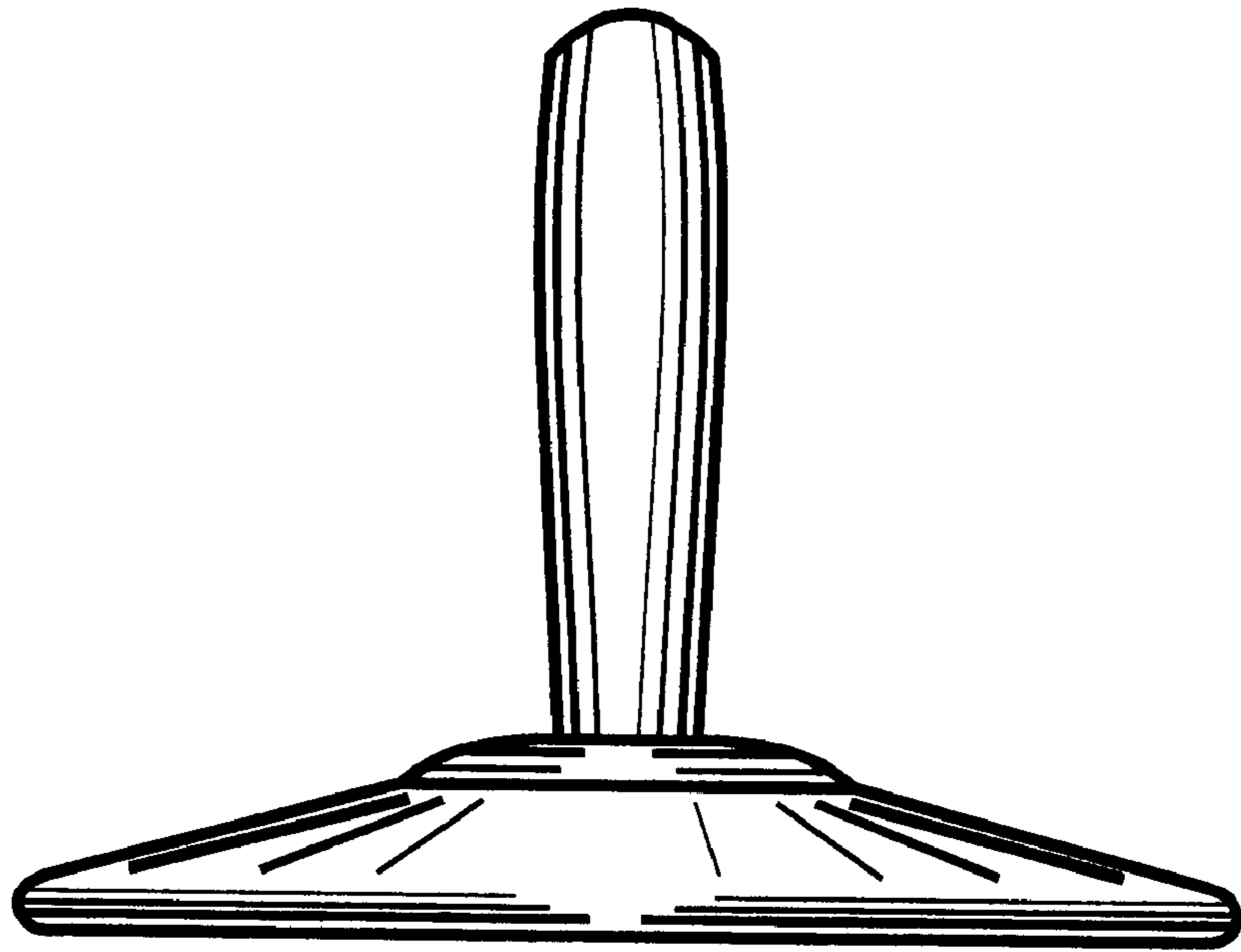
**1 Claim, 3 Drawing Sheets**

- (56) **References Cited**
- U.S. PATENT DOCUMENTS
- D40,675 S \* 5/1910 Gredelue ..... D7/522
- D44,661 S \* 9/1913 Hunter ..... D7/524
- D54,866 S \* 4/1920 Saunders ..... D7/524
- D78,058 S \* 3/1929 Venon ..... D7/537
- D78,059 S \* 3/1929 Venon ..... D7/537
- D78,060 S \* 3/1929 Venon ..... D7/537
- D92,247 S \* 5/1934 Irwin ..... D7/537
- D118,620 S \* 1/1940 Fuerst et al. .... D7/527
- D160,843 S \* 11/1950 Cone ..... D7/537





— FIG. 1



— FIG. 2

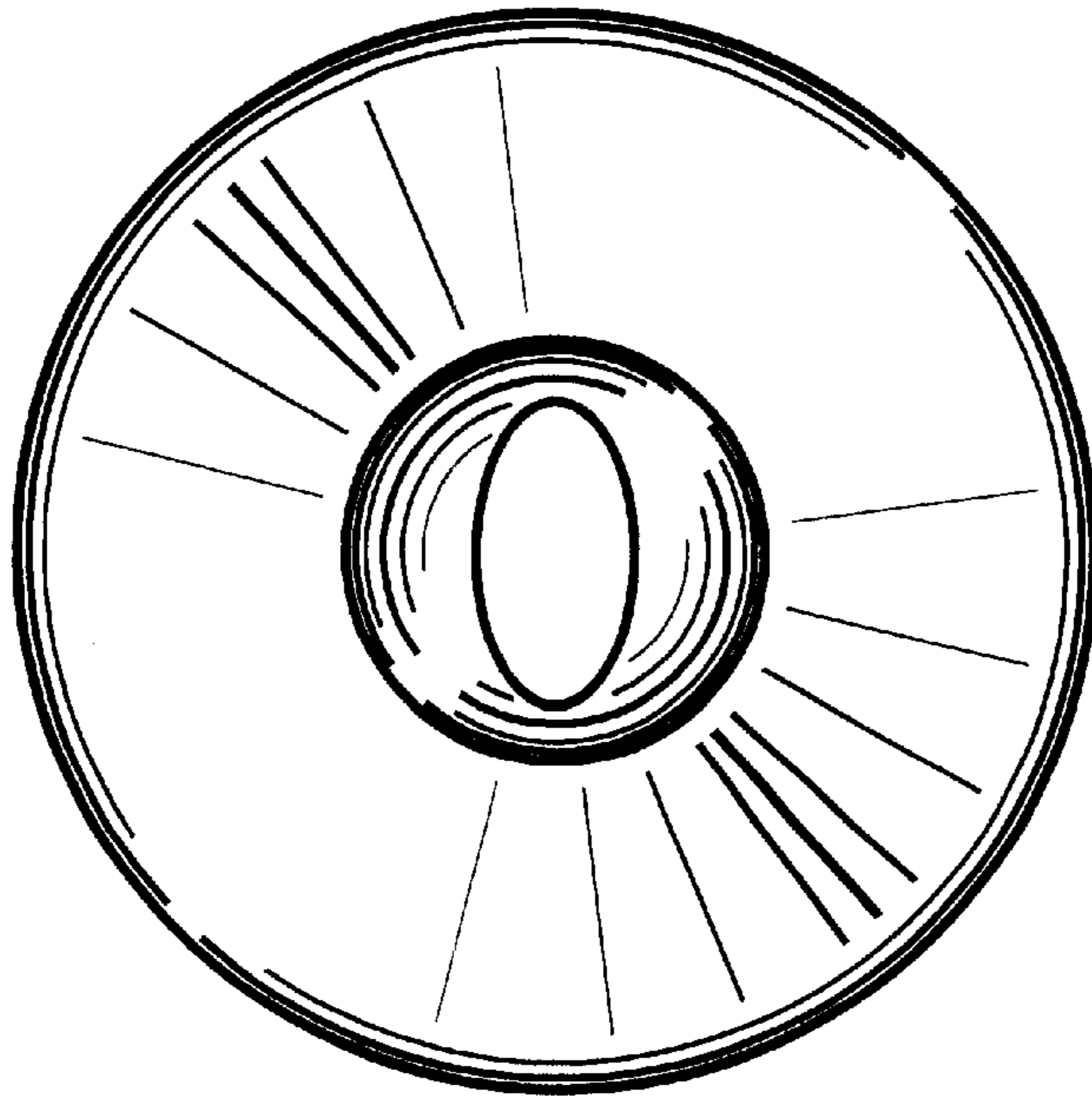


FIG. 3

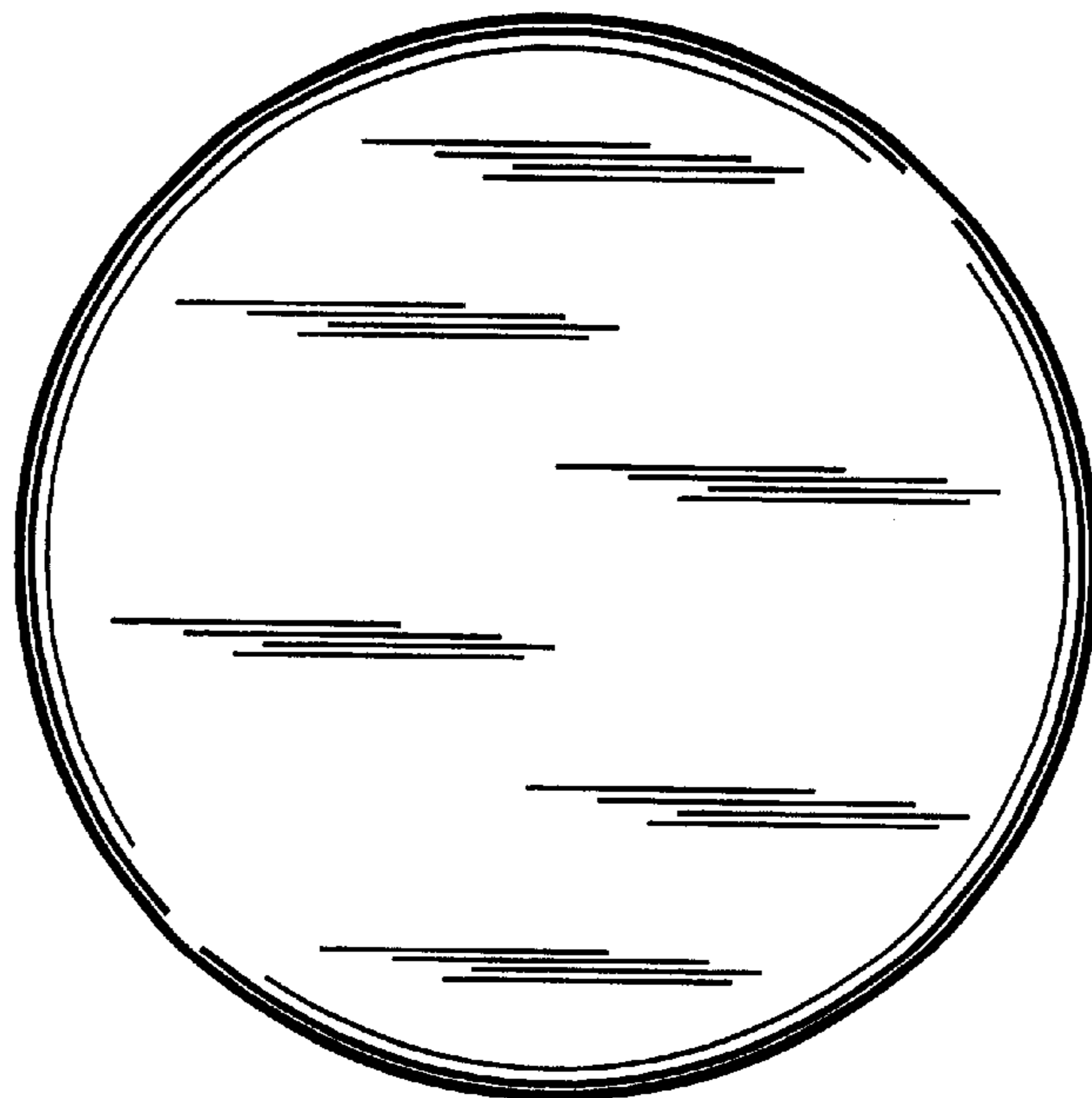


FIG. 4