



US00D476525S

(12) **United States Design Patent**
Zemel

(10) **Patent No.:** **US D476,525 S**

(45) **Date of Patent:** **** Jul. 1, 2003**

(54) **HANDLE FOR BARBECUE TOOL**

D422,191 S * 4/2000 Usbeck D8/107
D433,873 S * 11/2000 Yu D7/395

(75) Inventor: **Marc Zemel**, Old Bethpage, NY (US)

* cited by examiner

(73) Assignee: **Mr. Bar-B-Q-, Inc.**, Old Bethpage, NY (US)

Primary Examiner—Terry A. Wallace

(**) Term: **14 Years**

(74) *Attorney, Agent, or Firm*—Seth Natter; Natter & Natter

(21) Appl. No.: **29/165,264**

(57) **CLAIM**

(22) Filed: **Aug. 8, 2002**

The ornamental design for a handle for barbecue tool, as shown and described.

(51) **LOC (7) Cl.** **07-02**

DESCRIPTION

(52) **U.S. Cl.** **D7/395**

FIG. 1 is a front elevational view of a handle for barbecue tool showing my new design;

(58) **Field of Search** D7/393, 395, 401.2, D7/681-696, 642-664; D8/107; 16/110.1, 430, 431, 436, 441, 444

FIG. 2 is a side view thereof;

FIG. 3 is an end view thereof; and,

FIG. 4 is a perspective view thereof.

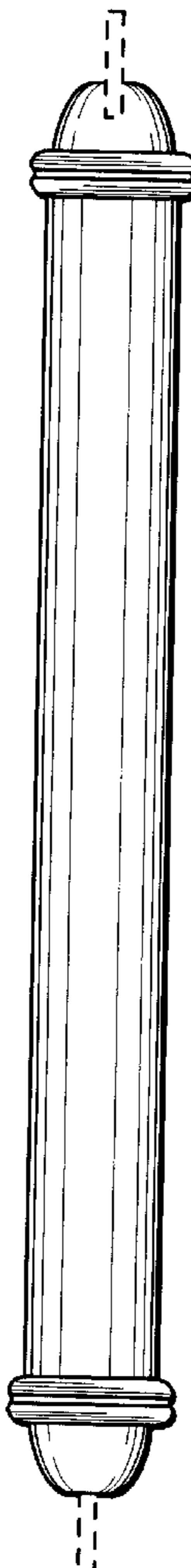
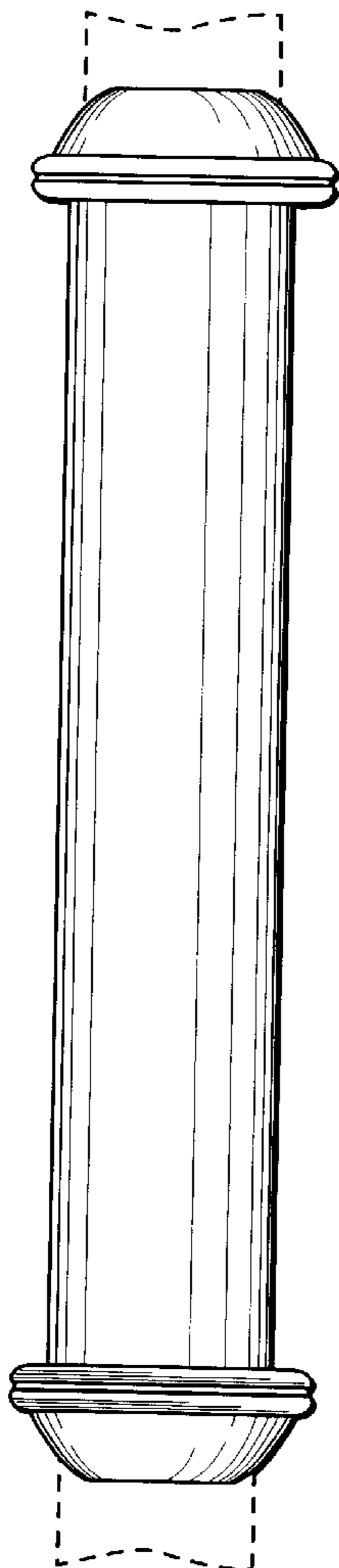
(56) **References Cited**

The opposite side of FIG. 1 and 2 is identical to that shown, respectively. The broken lines are for illustrative purposes only and form no part of the claimed design.

U.S. PATENT DOCUMENTS

D90,261 S * 7/1933 Hindes D7/383
D309,696 S * 8/1990 Callinan D7/649

1 Claim, 2 Drawing Sheets



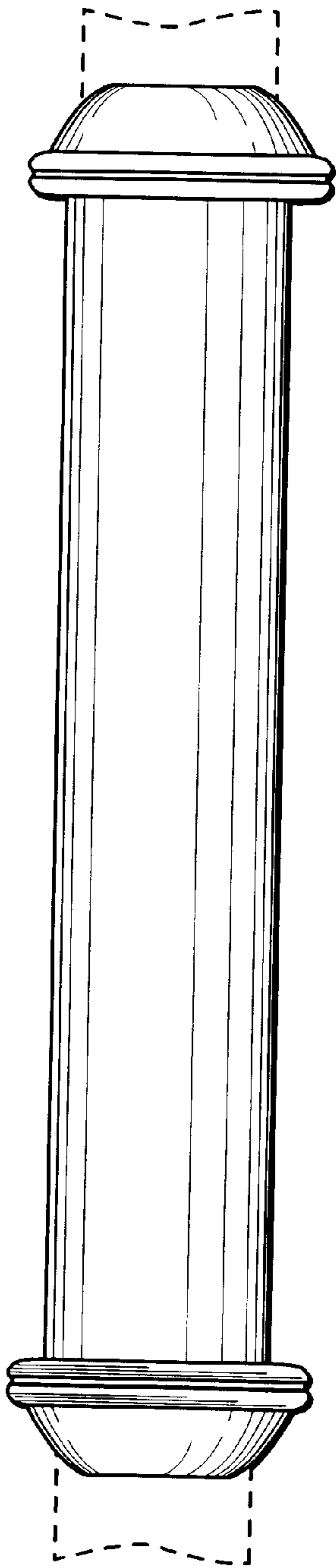


Fig. 1

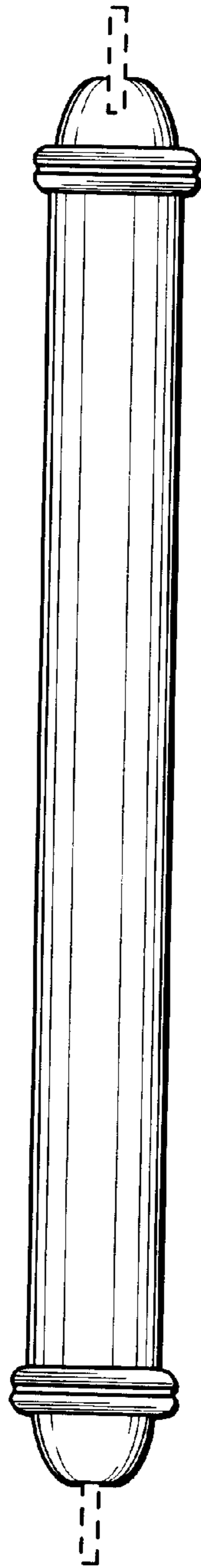


Fig. 2

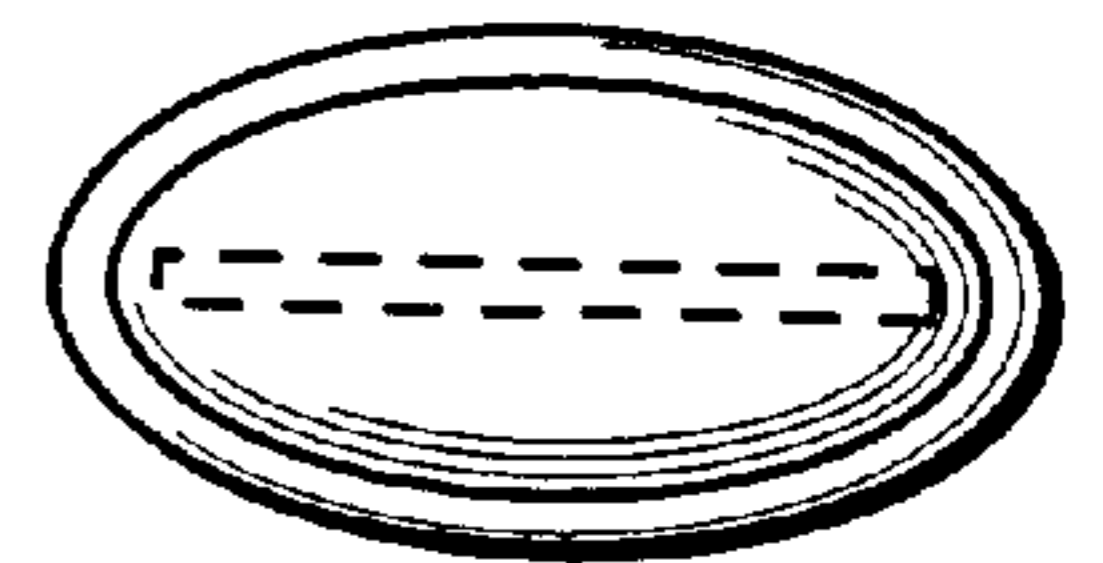


Fig. 3

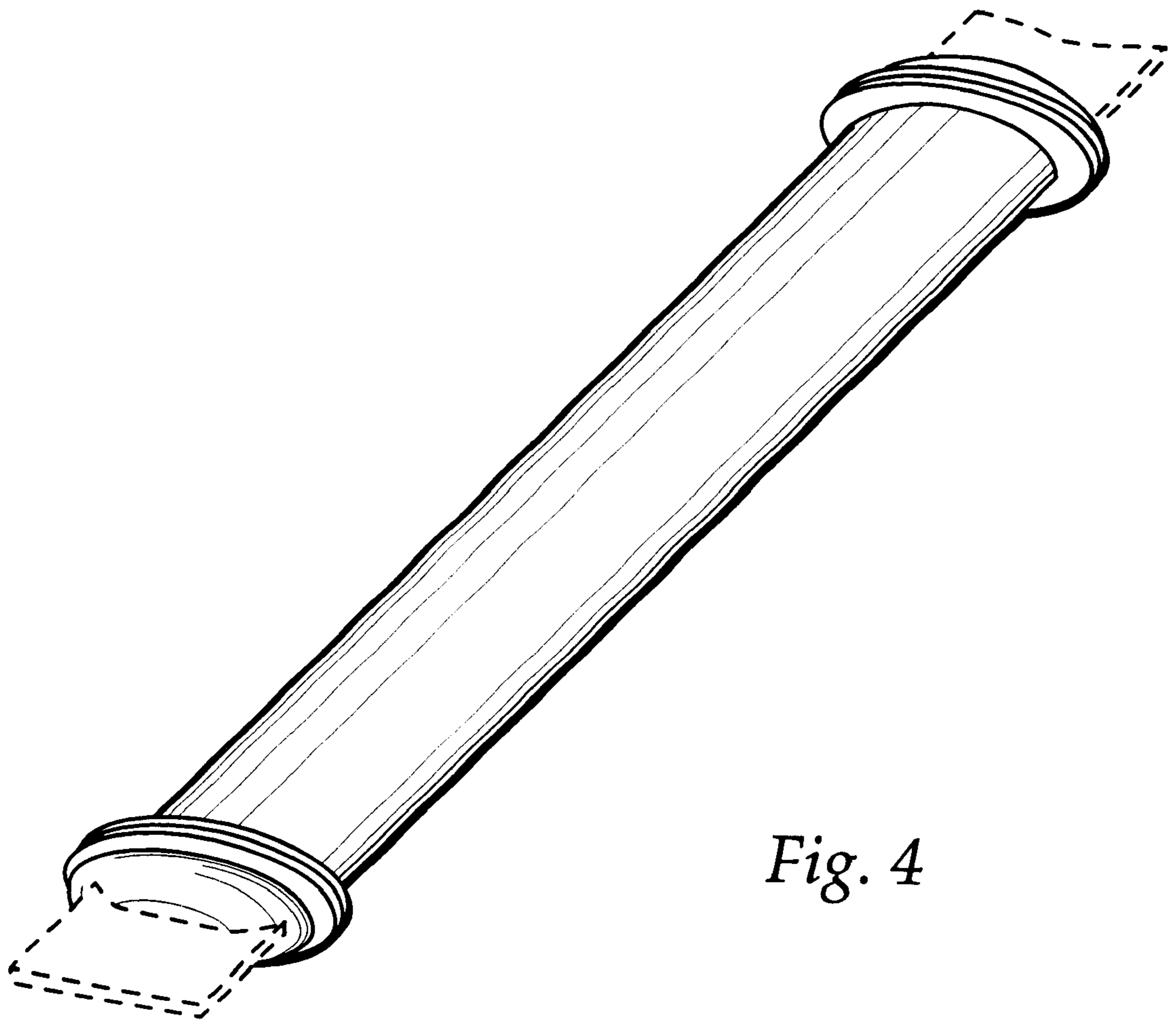


Fig. 4