



US00D476524S

(12) **United States Design Patent**
Cornfield

(10) **Patent No.:** **US D476,524 S**

(45) **Date of Patent:** **** Jul. 1, 2003**

(54) **COOKWARE HANDLE**

6,360,654 B1 3/2002 Cornfield

(76) Inventor: **Randall Cornfield**, 5499 Robert Burns
#306, Montreal, Quebec (CA),
H4W-2B4

(**) Term: **14 Years**

(21) Appl. No.: **29/160,869**

(22) Filed: **May 17, 2002**

(51) **LOC (7) Cl.** **07-02**

(52) **U.S. Cl.** **D7/393**

(58) **Field of Search** D7/393, 401.2,
D7/354-361; 16/110.1, 430, 431, 436, 441,
444; 99/337, 342-344, 403; 368/10; 220/759,
770, 771, 912, 212.5, 213, 203.7

(56) **References Cited**

U.S. PATENT DOCUMENTS

| | | | |
|---------------|---------|-----------------------|--------|
| 578,059 A | 3/1897 | Hallas | |
| 2,192,600 A | 3/1940 | Lurtz | |
| 3,738,354 A | 6/1973 | Aries et al. | |
| 4,257,394 A | 3/1981 | Zabel | |
| 4,313,371 A | 2/1982 | Jackson et al. | |
| 4,451,156 A | 5/1984 | Kloppsteck | |
| D295,817 S | 5/1988 | Sebillotte | |
| 4,805,188 A | 2/1989 | Parker | |
| 5,088,069 A | 2/1992 | Koziol | |
| 5,265,522 A | 11/1993 | Schultz | |
| D360,335 S | 7/1995 | Chang | |
| 5,644,552 A | 7/1997 | Lien | |
| D382,767 S | 8/1997 | Lien | |
| 5,771,783 A * | 6/1998 | Uss | 99/343 |
| D446,998 S * | 8/2001 | Cappadona et al. | D7/393 |

FOREIGN PATENT DOCUMENTS

| | | |
|----|----------|---------|
| FR | 2664148 | 1/1992 |
| JP | 04135785 | 11/1993 |
| JP | 09262618 | 3/1994 |
| JP | 04308025 | 5/1994 |

* cited by examiner

Primary Examiner—Terry A. Wallace

(74) *Attorney, Agent, or Firm*—Schweitzer Cornman Gross & Bondell LLP

(57) **CLAIM**

The ornamental design for a cookware handle, as shown and described.

DESCRIPTION

FIG. 1 is side elevation view of a cookware handle having the claimed design, in an intended environment of use comprising a cookware lid, the other side being a mirror image;

FIG. 2 is a top plan view of the cookware handle of FIG. 1; FIG. 3 is a close-up top plan view of the cookware handle of FIG. 1; and,

FIGS. 4 and 5 are end elevation views of the cookware handle of FIG. 1, from the first and second ends, respectively.

The bottom of the cookware handle forms no part of the claimed invention.

The broken lines are for illustrative purposes only and form no part of the claimed design.

1 Claim, 4 Drawing Sheets

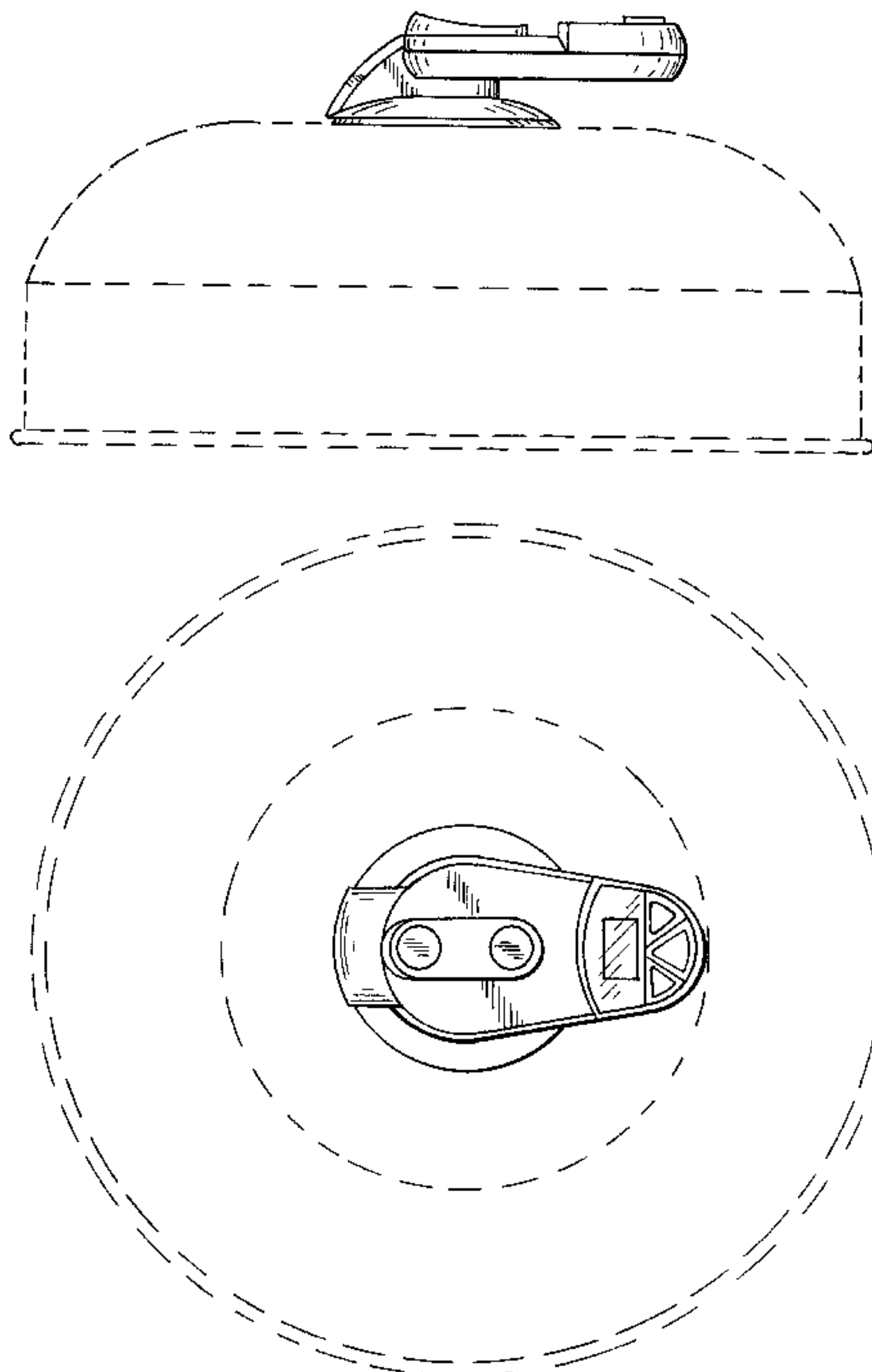


FIG. 1

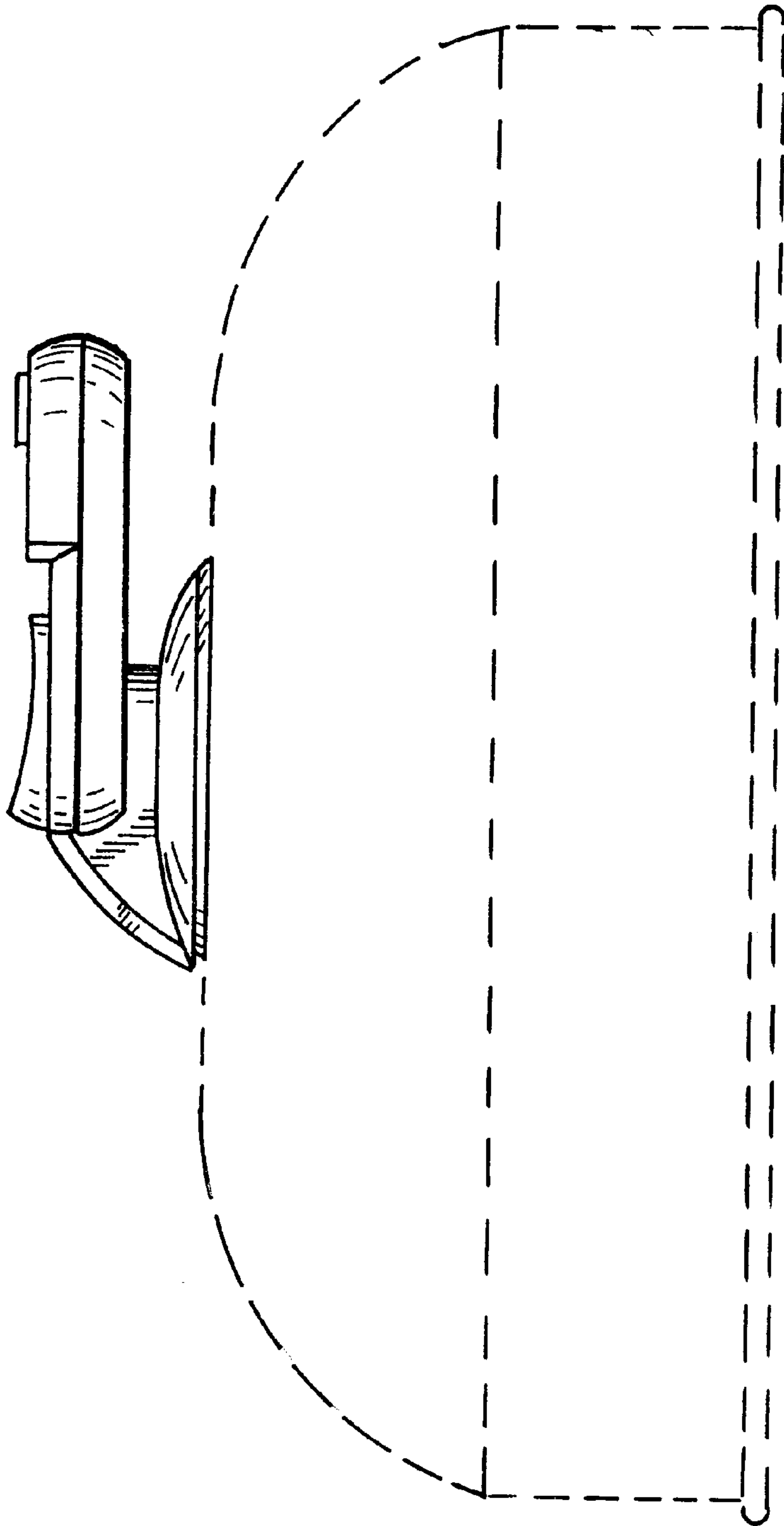


FIG. 2

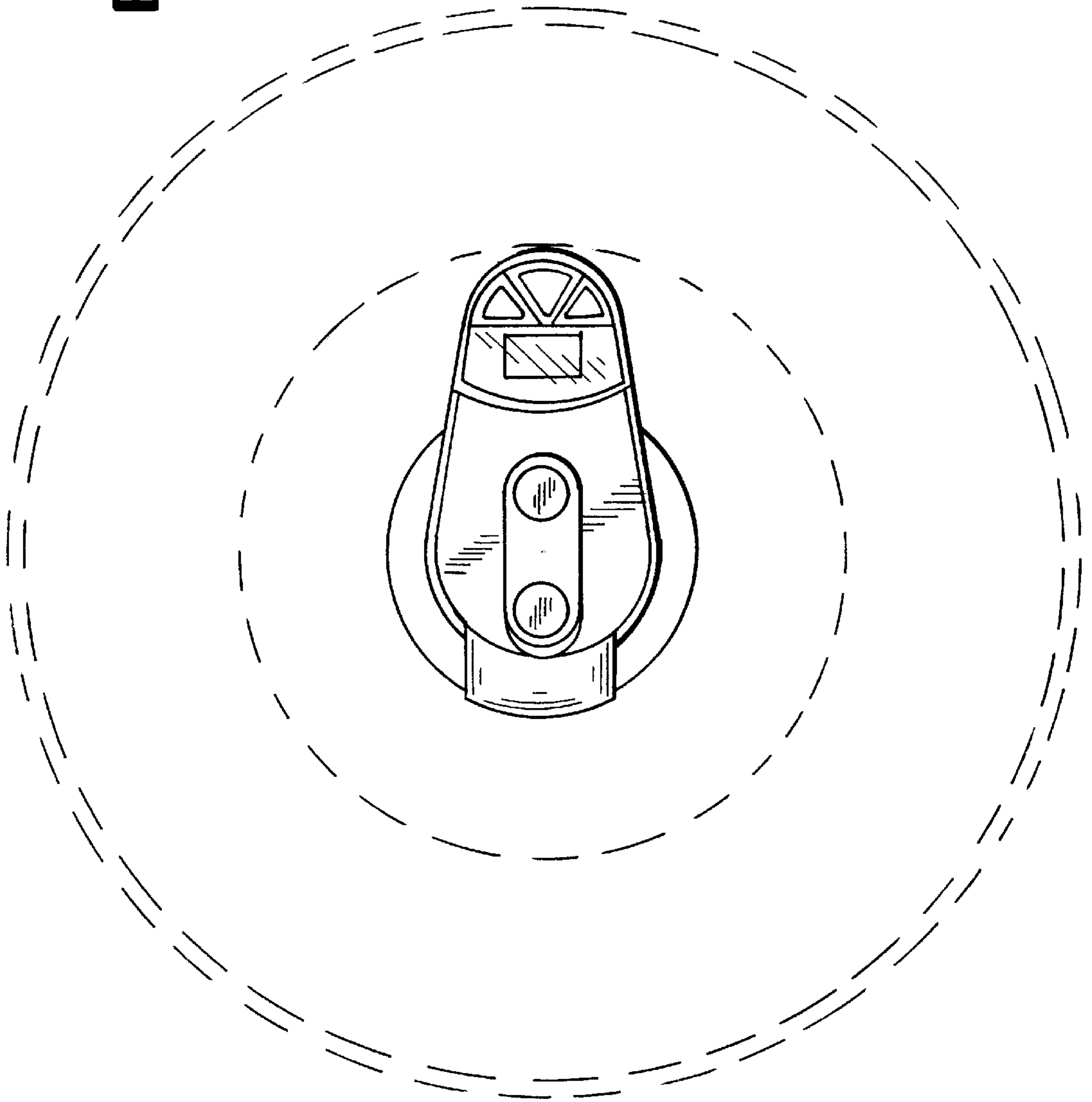


FIG. 3

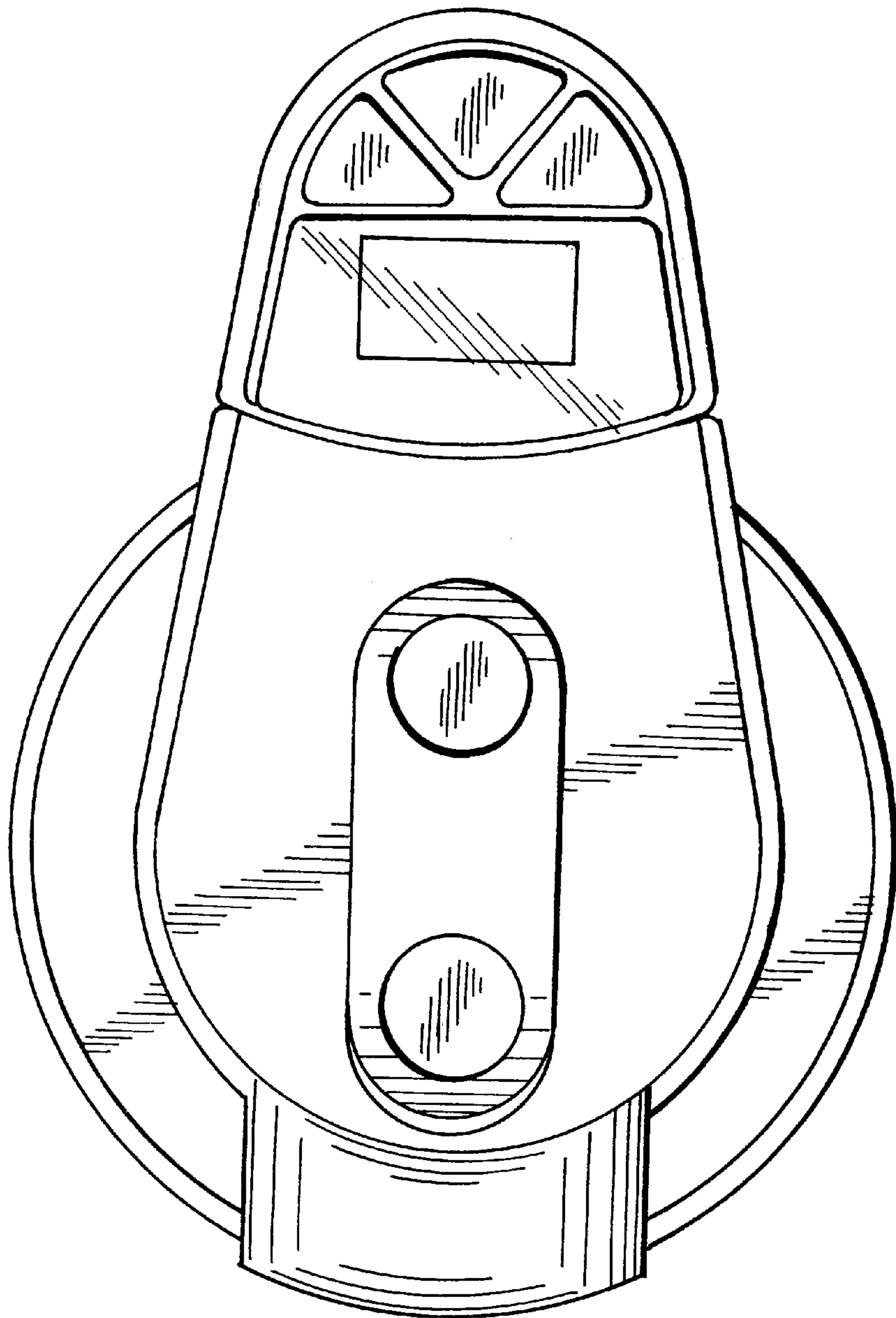


FIG. 4

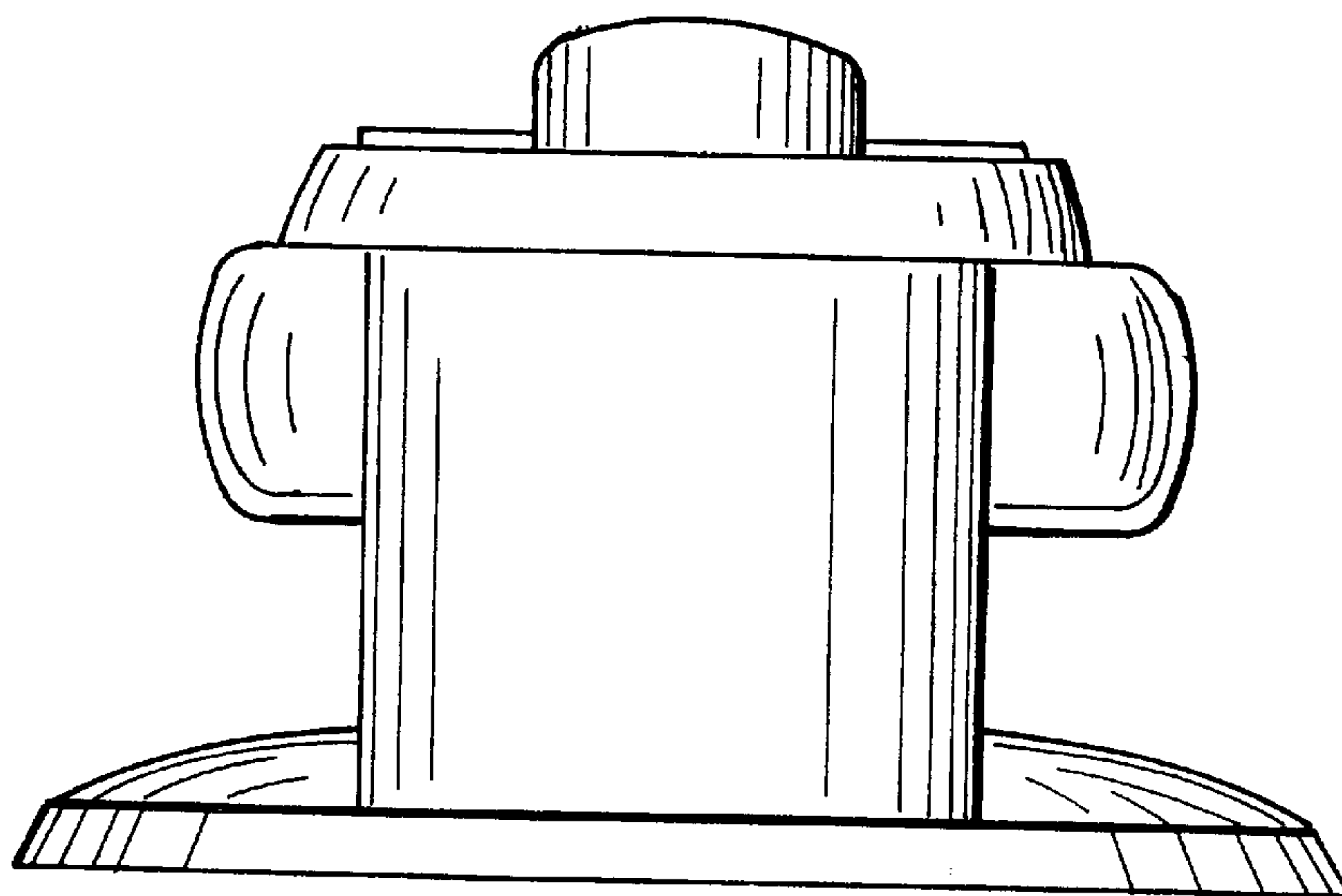
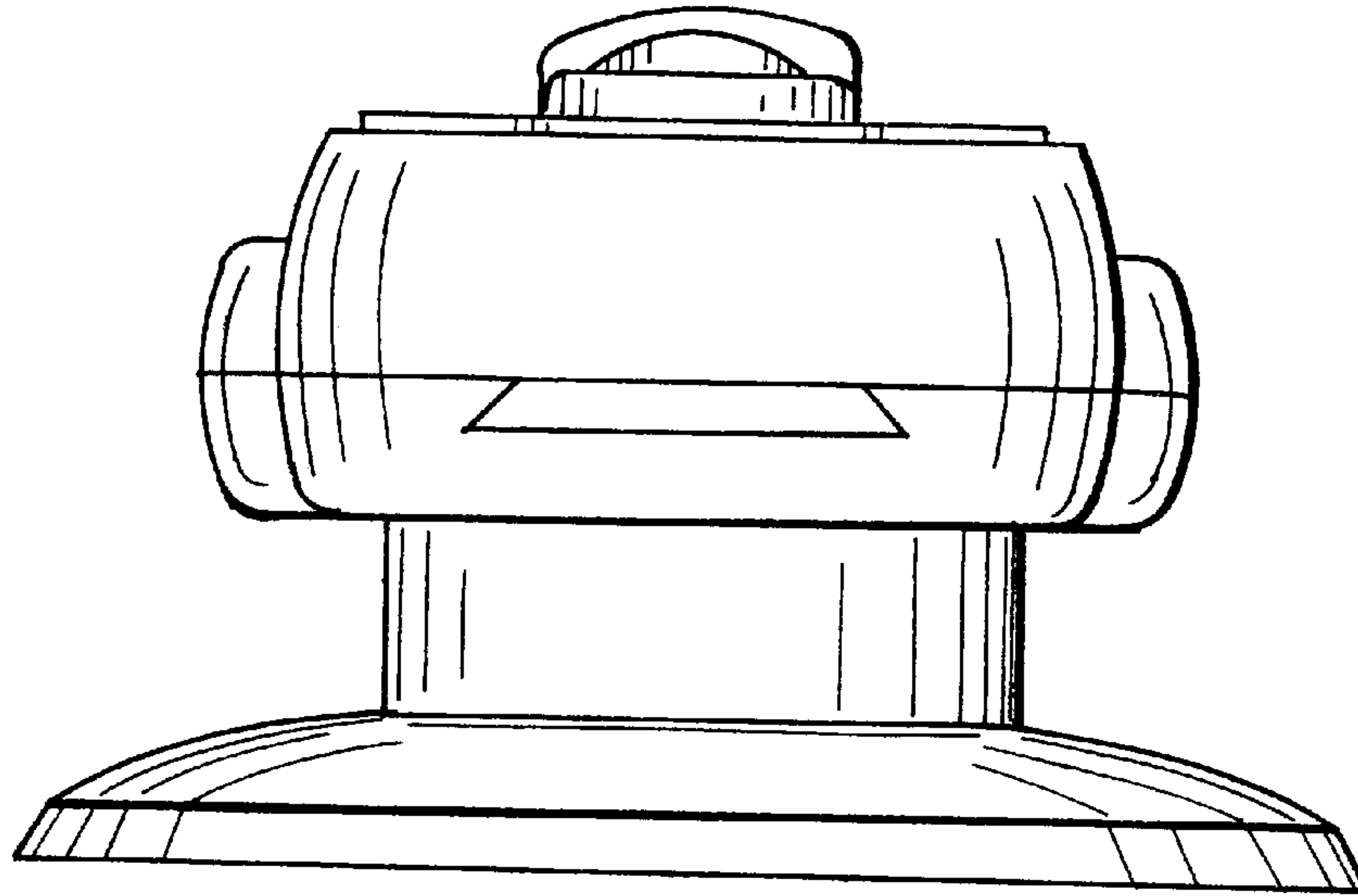


FIG. 5