



US00D476522S

(12) **United States Design Patent**  
**Renz**

(10) **Patent No.:** **US D476,522 S**

(45) **Date of Patent:** **\*\* Jul. 1, 2003**

- (54) **AGITATOR**
- (75) Inventor: **Charles J. Renz**, Briarcliff Manor, NY (US)
- (73) Assignee: **Playtex Products, Inc.**, Westport, CT (US)
- (\*\*) Term: **14 Years**
- (21) Appl. No.: **29/163,399**
- (22) Filed: **Jul. 3, 2002**

3,820,692 A	6/1974	Swett et al.	222/547
4,003,555 A	1/1977	Swartz	366/130
4,818,114 A	4/1989	Ghavi	366/130
5,419,445 A	5/1995	Kaesemeyer	215/11.1
5,547,275 A	8/1996	Lillelund et al.	366/130
D374,150 S	10/1996	Lillelund et al.	D7/387
5,788,369 A	8/1998	Tseng	366/130
5,794,802 A	8/1998	Caola	215/11.1
5,992,693 A	11/1999	Albisetti	222/129
6,059,443 A	5/2000	Casey	366/130
6,089,389 A	7/2000	Sharon et al.	215/11.1
6,092,681 A	7/2000	Shaw et al.	215/11.6
6,113,257 A	9/2000	Sharon et al.	366/130
6,244,452 B1	6/2001	Morano et al.	215/11.6

**Related U.S. Application Data**

- (62) Division of application No. 29/144,862, filed on Jul. 12, 2001, now Pat. No. Des. 465,697.
- (51) **LOC (7) Cl.** ..... **31-00**
- (52) **U.S. Cl.** ..... **D7/376; D7/387**
- (58) **Field of Search** ..... D7/376-387, 412, D7/413; 366/129, 130, 347; 99/508; 215/11.1, 11.6, DIG. 8

\* cited by examiner

*Primary Examiner*—Caron D. Veynar  
(74) *Attorney, Agent, or Firm*—Ohlandt, Greeley, Ruggiero & Perle, LLP

(57) **CLAIM**

The ornamental design for an agitator, as shown and described.

**DESCRIPTION**

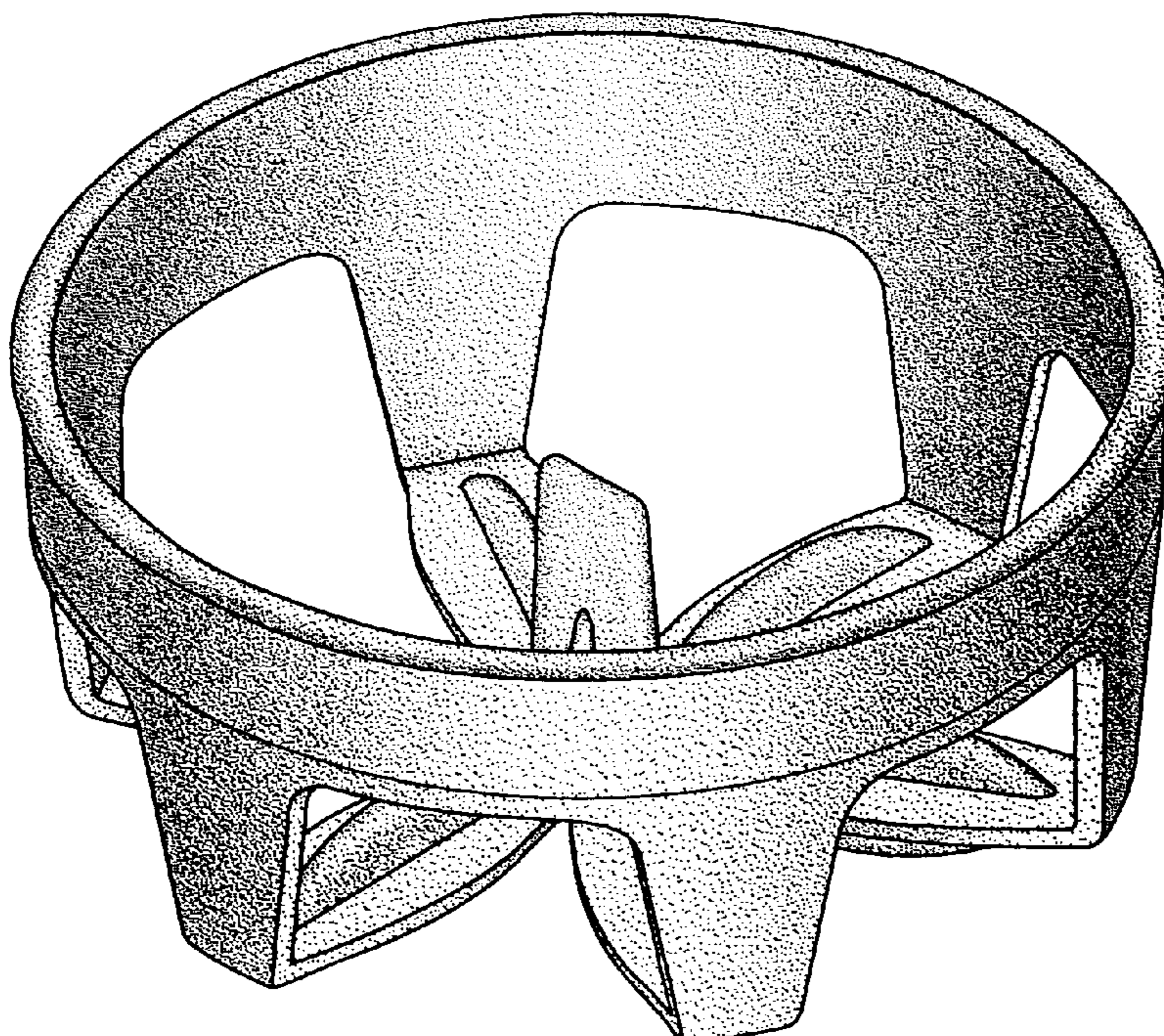
FIG. 1 is a perspective view of an agitator showing my design;  
FIG. 2 is a front view of the agitator of FIG. 1, the rear view being identical thereof;  
FIG. 3 is a side view of the agitator of FIG. 1, the opposite side view being identical thereof;  
FIG. 4 is a top view of the agitator of FIG. 1; and,  
FIG. 5 is a bottom view of the agitator of FIG. 1.

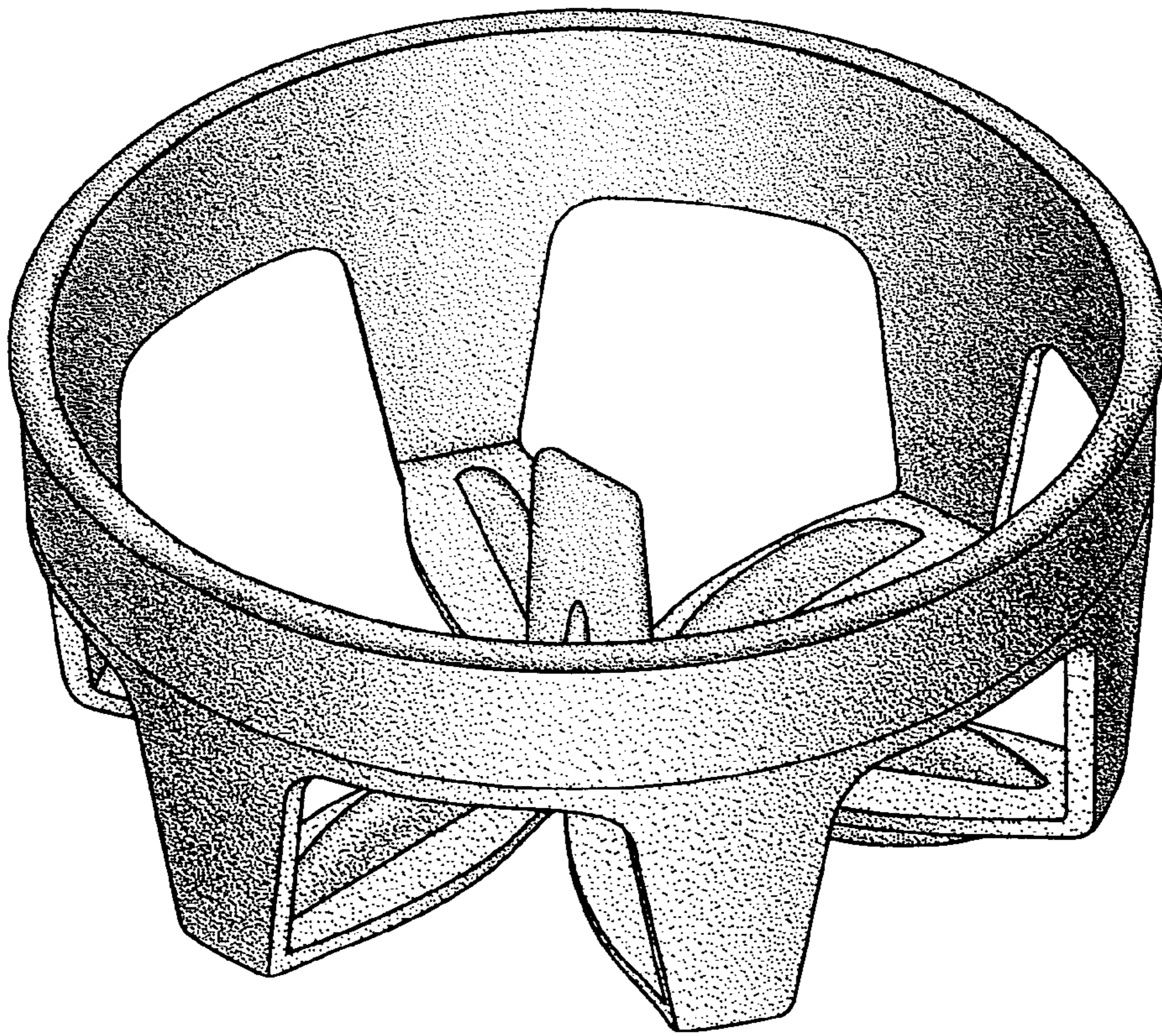
(56) **References Cited**

**U.S. PATENT DOCUMENTS**

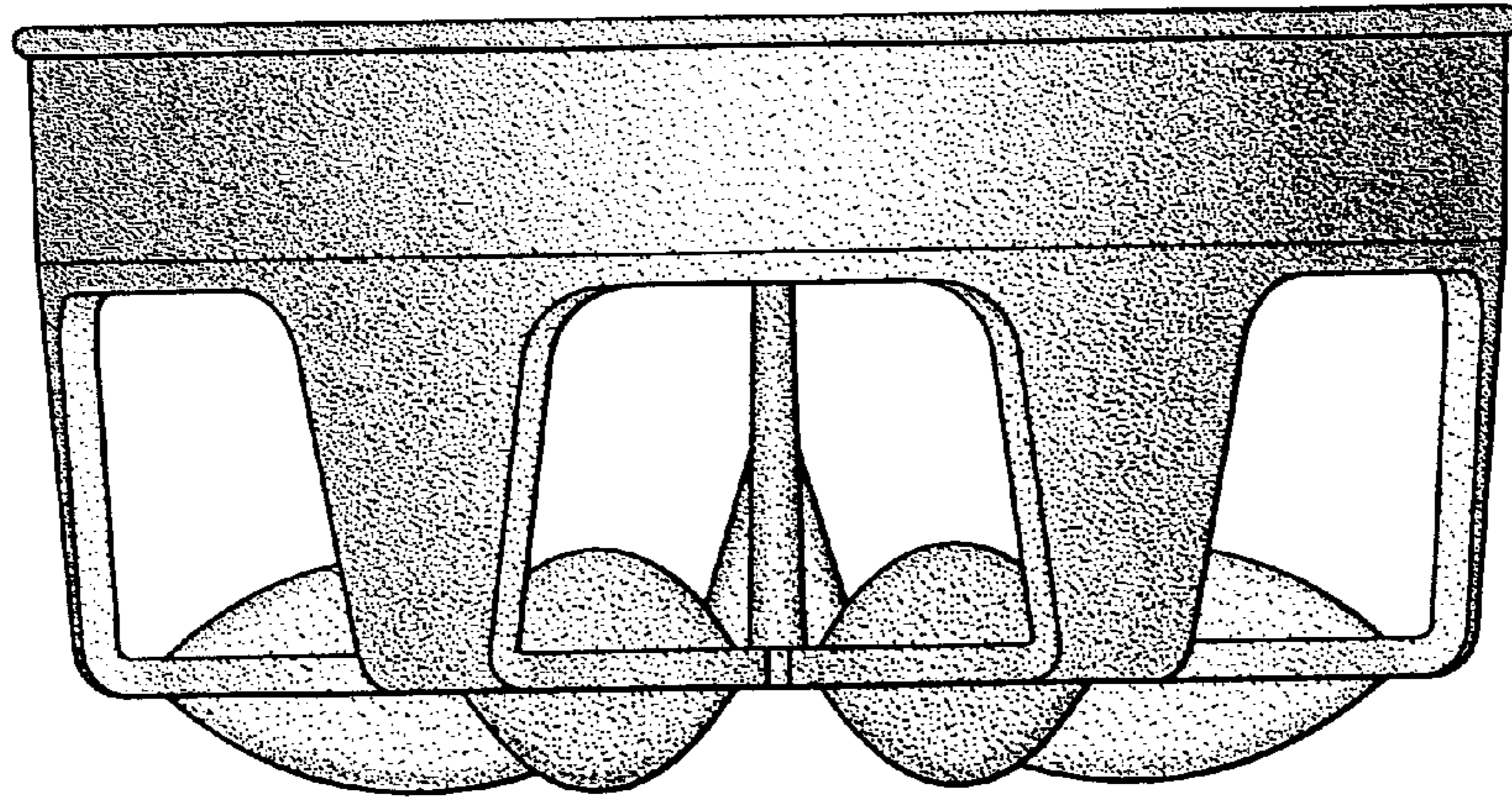
1,075,119 A	10/1913	Reichner	
1,661,336 A	* 3/1928	Katz	99/508
1,672,466 A	6/1928	Oshman et al.	
1,672,467 A	6/1928	Oshman et al.	
1,878,924 A	* 9/1932	Will	366/130
3,677,524 A	* 7/1972	Douglas	366/130
3,747,414 A	7/1973	Ohno	73/428
3,763,542 A	10/1973	Gutnajer	29/527.2

**1 Claim, 3 Drawing Sheets**

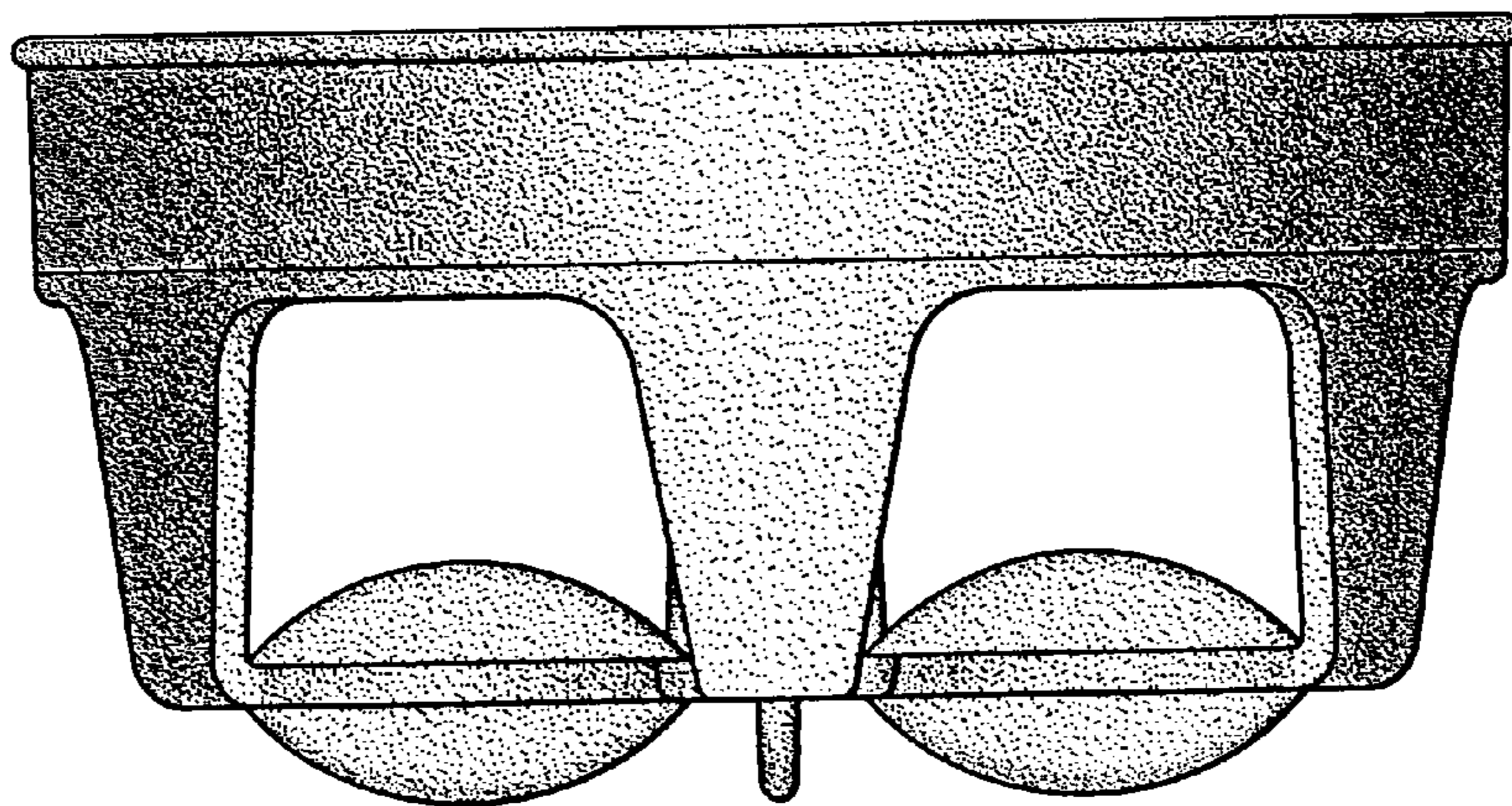




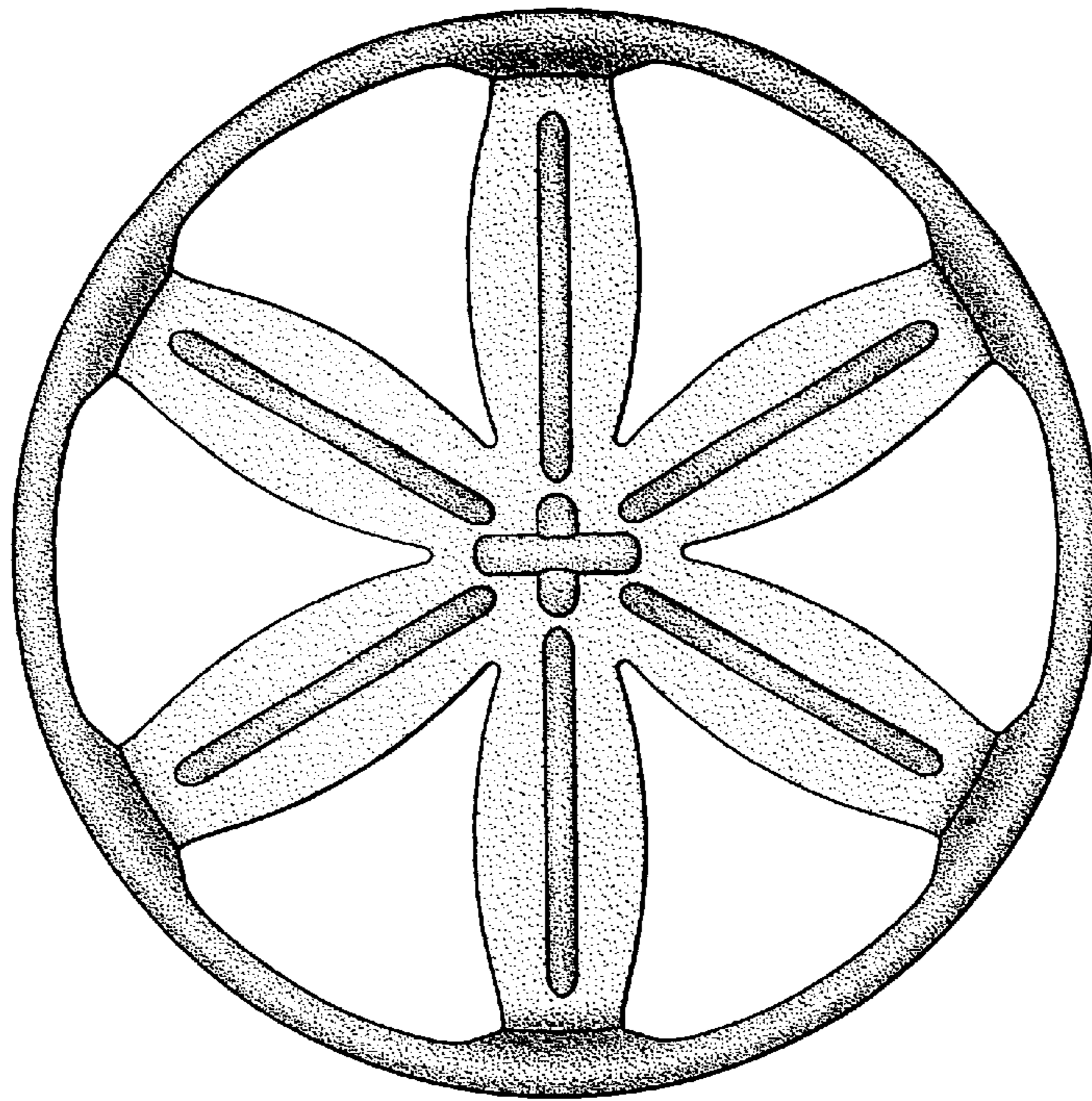
**FIG. 1**



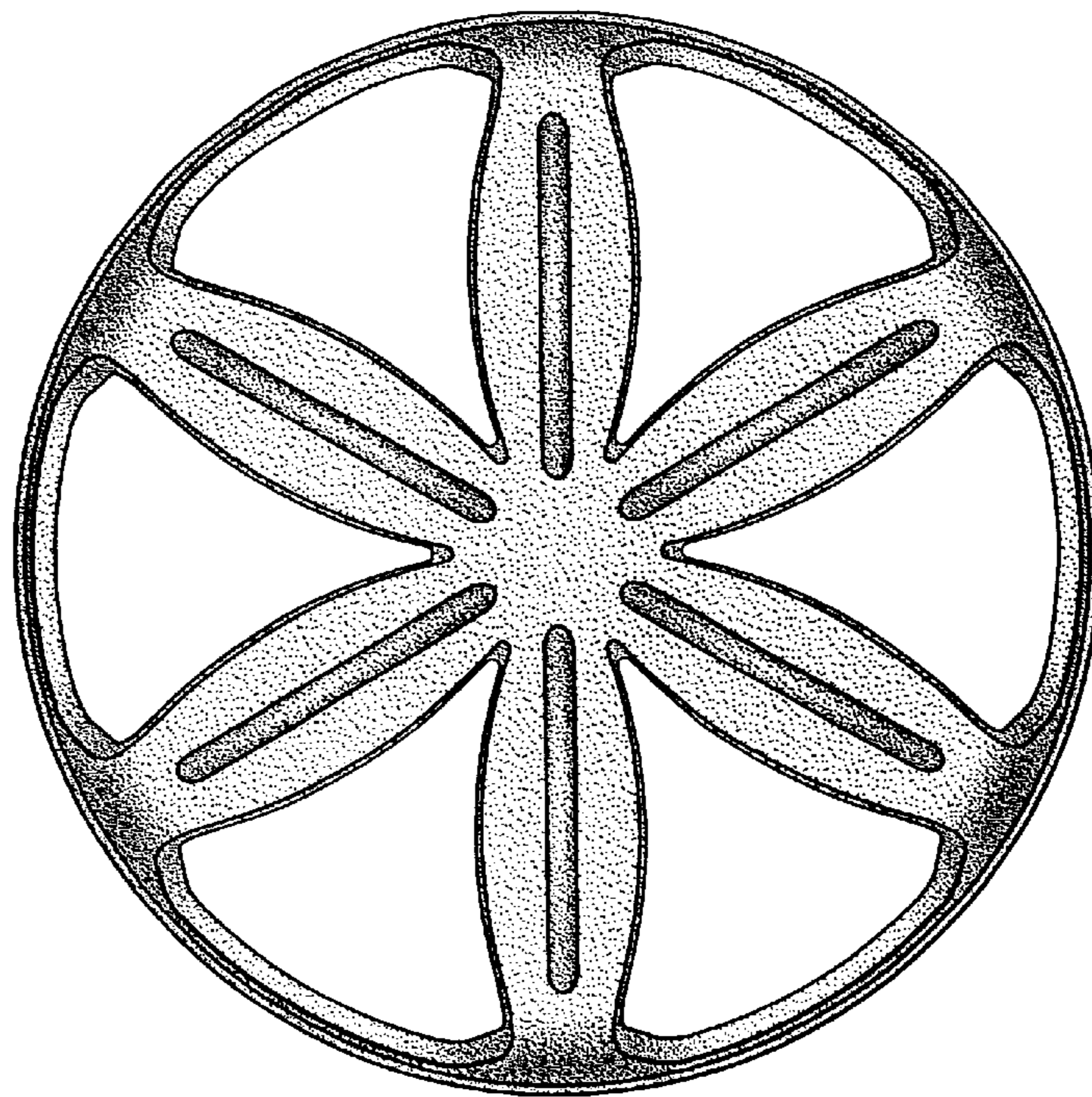
**FIG. 2**



**FIG. 3**



**FIG. 4**



**FIG. 5**