



US00D476521S

(12) **United States Design Patent**
Fukuda et al.

(10) **Patent No.:** **US D476,521 S**
(45) **Date of Patent:** **** Jul. 1, 2003**

(54) **MICROWAVE OVEN**

(75) Inventors: **Yasushi Fukuda, Osaka-fu (JP); Akira Haranaka, Osaka-fu (JP)**

(73) Assignee: **Sharp Kabushiki Kaisha, Osaka (JP)**

(**) Term: **14 Years**

(21) Appl. No.: **29/169,309**

(22) Filed: **Oct. 18, 2002**

(30) **Foreign Application Priority Data**

Apr. 18, 2002 (JP) 2002-010486

(51) **LOC (7) Cl.** **07-02**

(52) **U.S. Cl.** **D7/351**

(58) **Field of Search** D7/350.1, 350.3,
D7/350.4, 351, 402, 405-406; 126/273 A,
275 R, 275 E, 19 M, 21 R; 99/DIG. 14,
341; 219/678, 756-758

D410,813 S	6/1999	Fujii	
D410,814 S	6/1999	Koike	
D411,074 S	6/1999	Sakai et al.	
D411,706 S	6/1999	Koike	
D425,750 S	5/2000	Koike	
D426,102 S	* 6/2000	Hamada et al.	D7/351
D429,945 S	* 8/2000	Noda et al.	D7/351
D431,957 S	10/2000	Taira	
D433,268 S	11/2000	Taira	
D433,269 S	11/2000	Taira	
D435,754 S	* 1/2001	Ozaki et al.	D7/351
D435,999 S	* 1/2001	Noda et al.	D7/351
D436,285 S	1/2001	Taira	
D436,793 S	1/2001	Taira	
D439,468 S	* 3/2001	Kim	D7/351
D439,794 S	* 4/2001	Paul	D7/351
D442,424 S	5/2001	Naganuma	
D442,820 S	* 5/2001	Kim	D7/351
D442,821 S	5/2001	Naganuma	
D452,410 S	* 12/2001	Ichimura	D7/351
D455,932 S	* 4/2002	Noda et al.	D7/351
D468,578 S	* 1/2003	Fukuda et al.	D7/351
D470,004 S	* 2/2003	Fukuda et al.	D7/351

* cited by examiner

(56) **References Cited**

U.S. PATENT DOCUMENTS

D329,353 S	9/1992	Yamada	
D334,688 S	4/1993	Kitae et al.	
D335,064 S	4/1993	Sugiyama et al.	
D341,289 S	* 11/1993	Choi	D7/351
D352,636 S	11/1994	Nakamura	
D353,510 S	12/1994	Nakamura	
D353,511 S	12/1994	Saimen	
D353,512 S	12/1994	Saimen et al.	
D356,006 S	3/1995	Saimen et al.	
D357,159 S	4/1995	Mitsui et al.	
D367,991 S	3/1996	Saimen	
D367,992 S	3/1996	Saimen	
D368,405 S	4/1996	Tada	
D368,406 S	4/1996	Nakamura	
D371,041 S	* 6/1996	Matoba et al.	D7/351
D373,502 S	9/1996	Fujii et al.	
D380,644 S	7/1997	Tsuda et al.	
D390,411 S	2/1998	Nakagawa	
D390,412 S	2/1998	Takimoto	

Primary Examiner—Ruth McInroy

(74) *Attorney, Agent, or Firm*—Nixon & Vanderhye

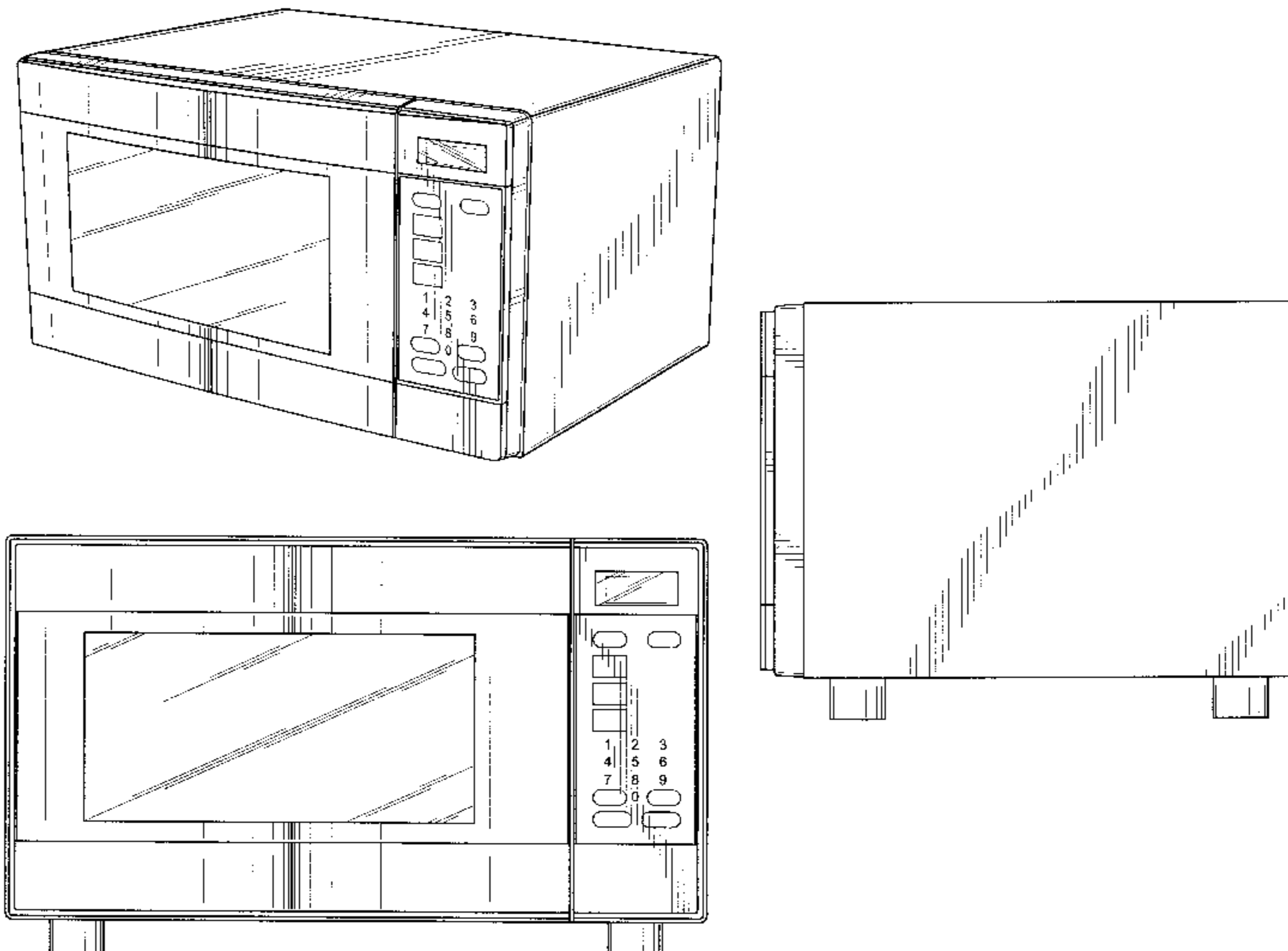
(57) **CLAIM**

The ornamental design for a microwave oven, as shown and described.

DESCRIPTION

FIG. 1 is a top, front and right side perspective view of a microwave oven according to our design; FIG. 2 is a front elevational view thereof; FIG. 3 is a rear elevational view thereof; FIG. 4 is a top plan view thereof; FIG. 5 is a bottom plan view thereof; FIG. 6 is a right side elevational view thereof; and, FIG. 7 is a left side elevational view thereof.

1 Claim, 6 Drawing Sheets



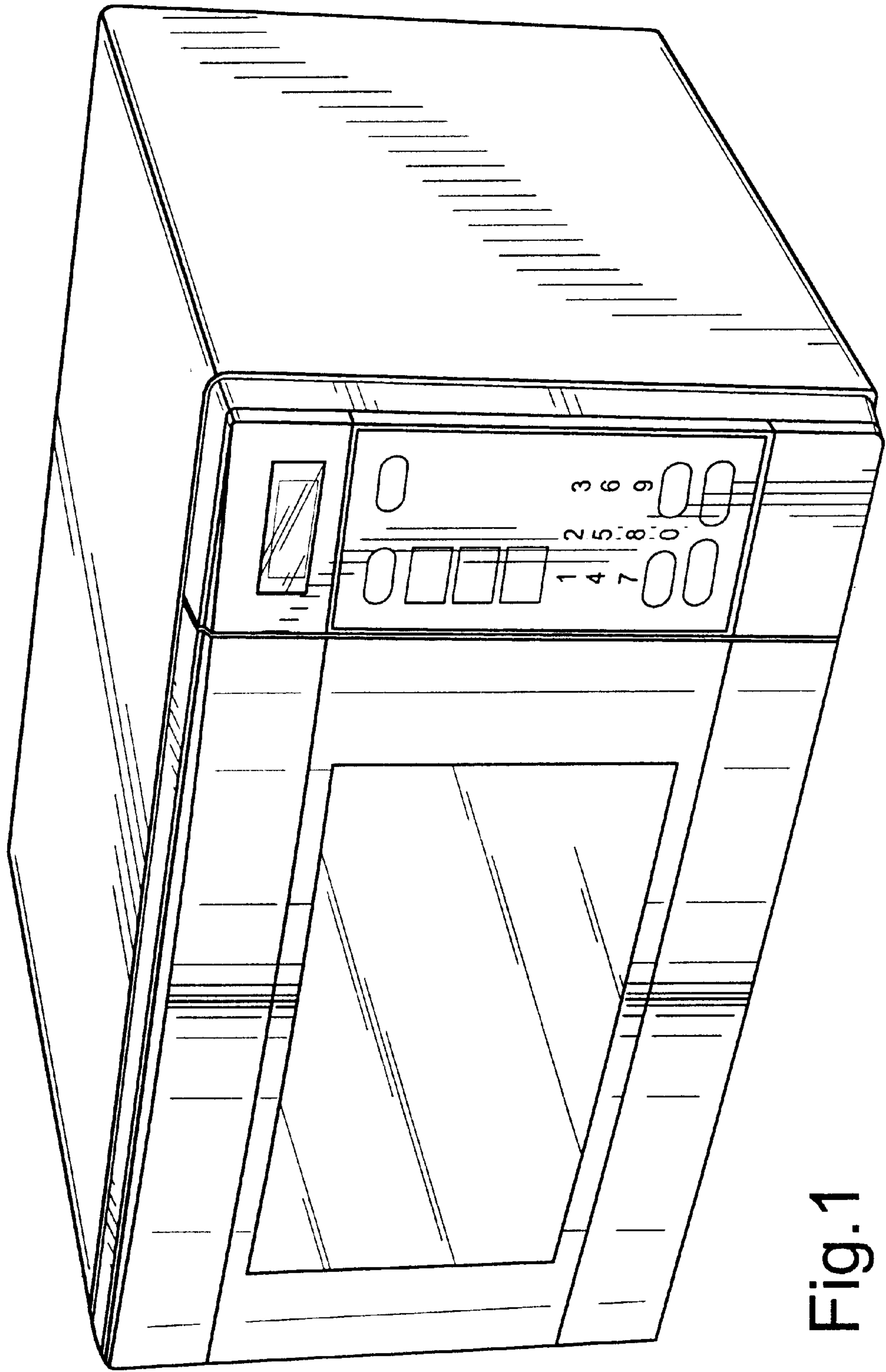


Fig. 1

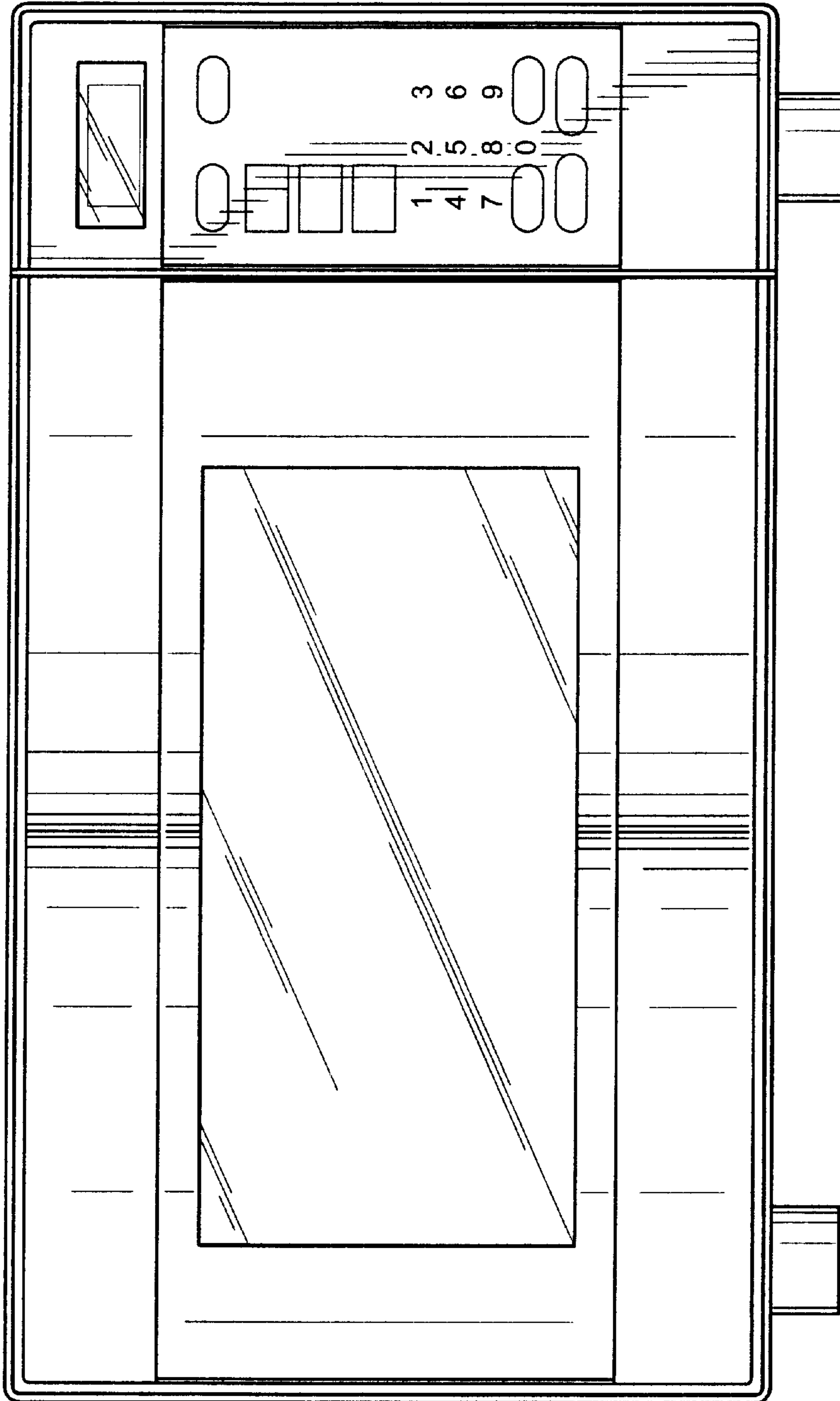


Fig.2

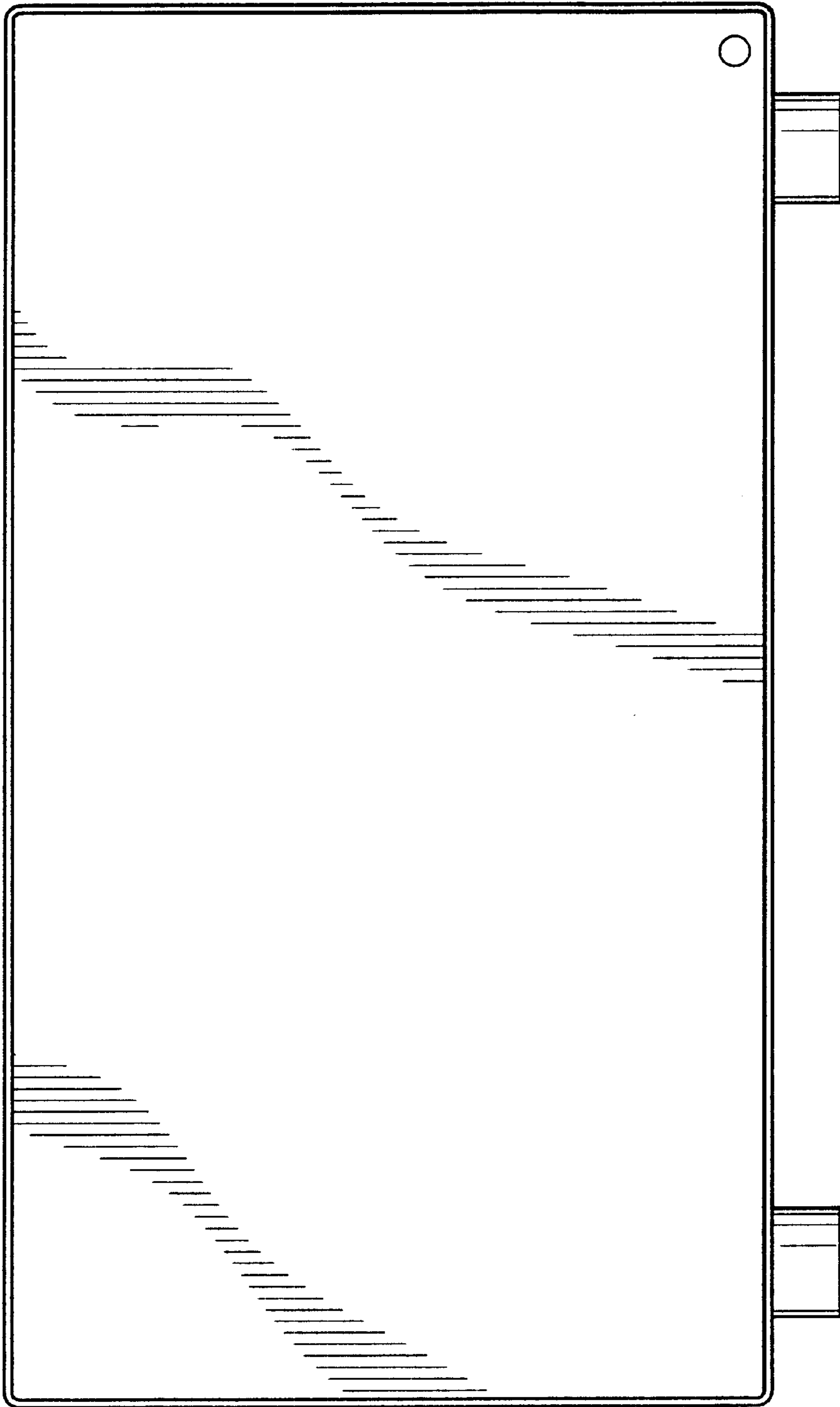


Fig. 3

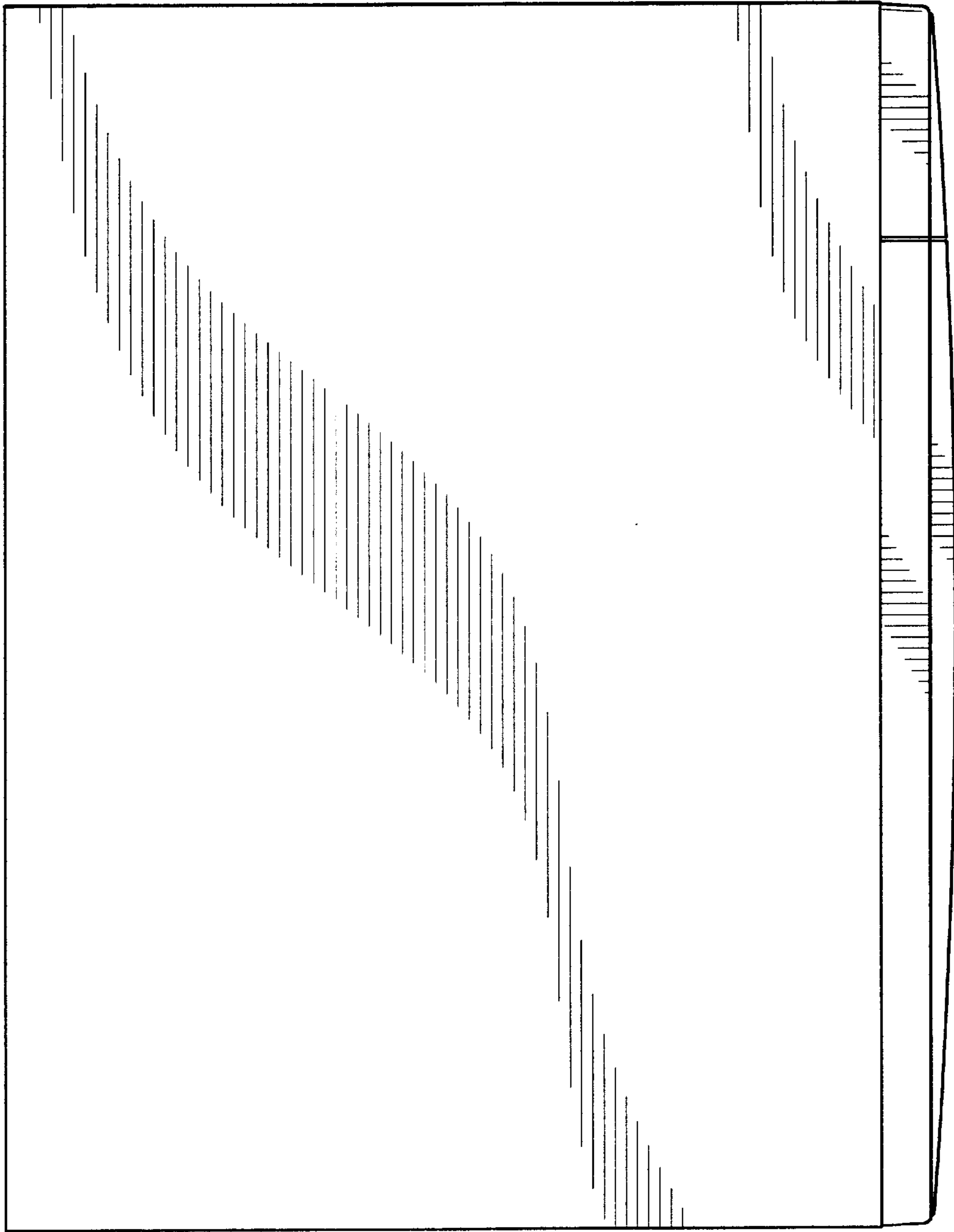


Fig.4

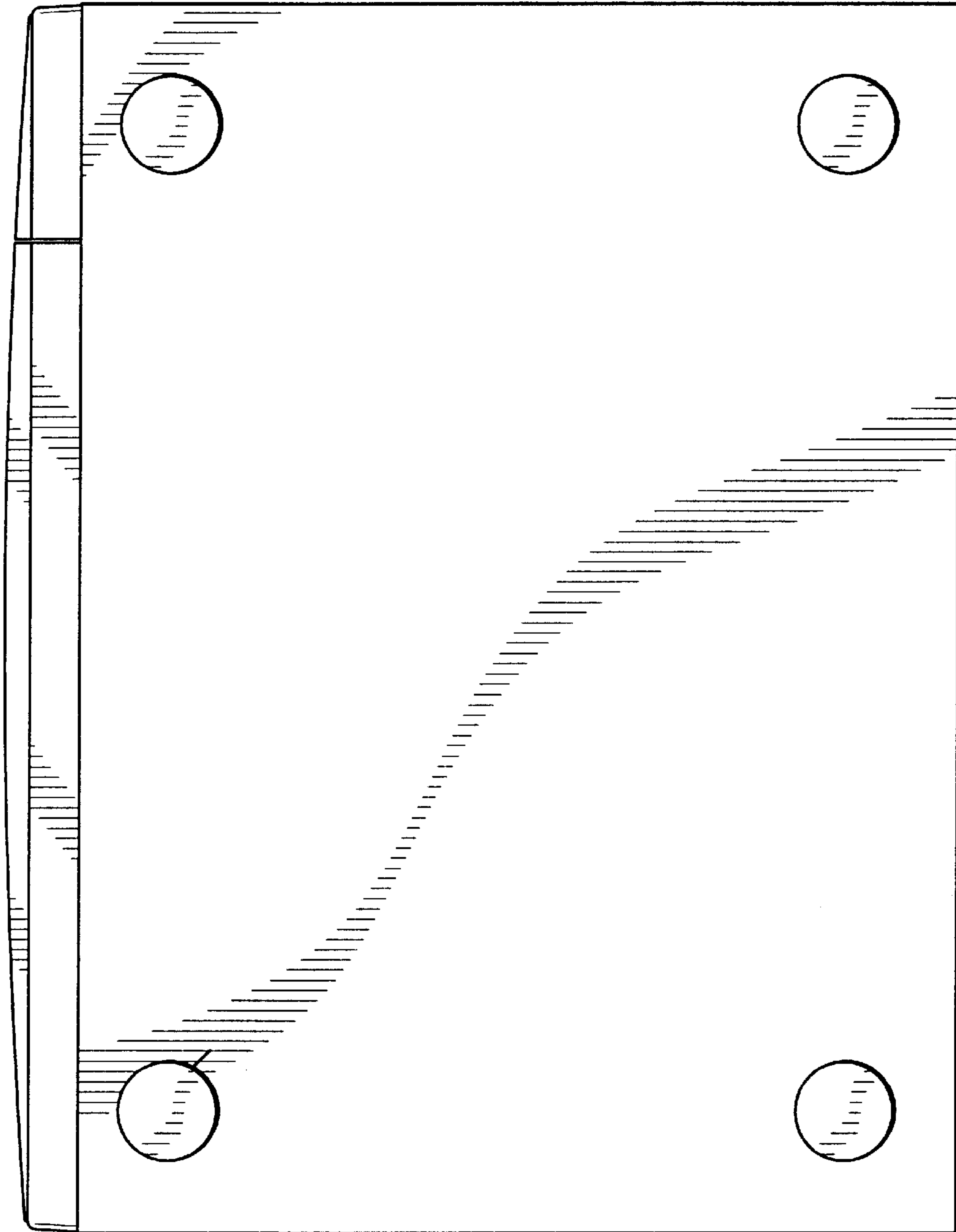


Fig.5

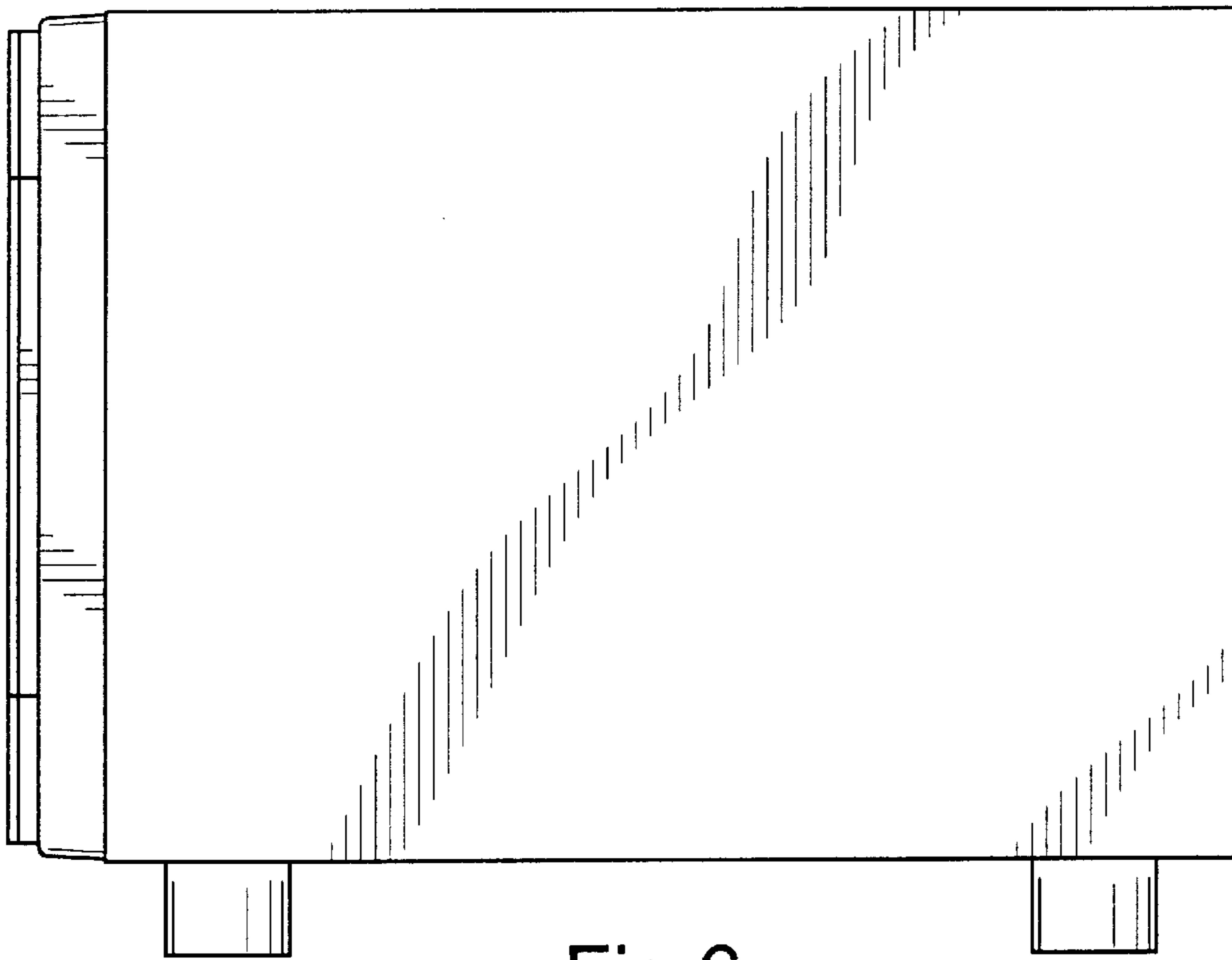


Fig.6

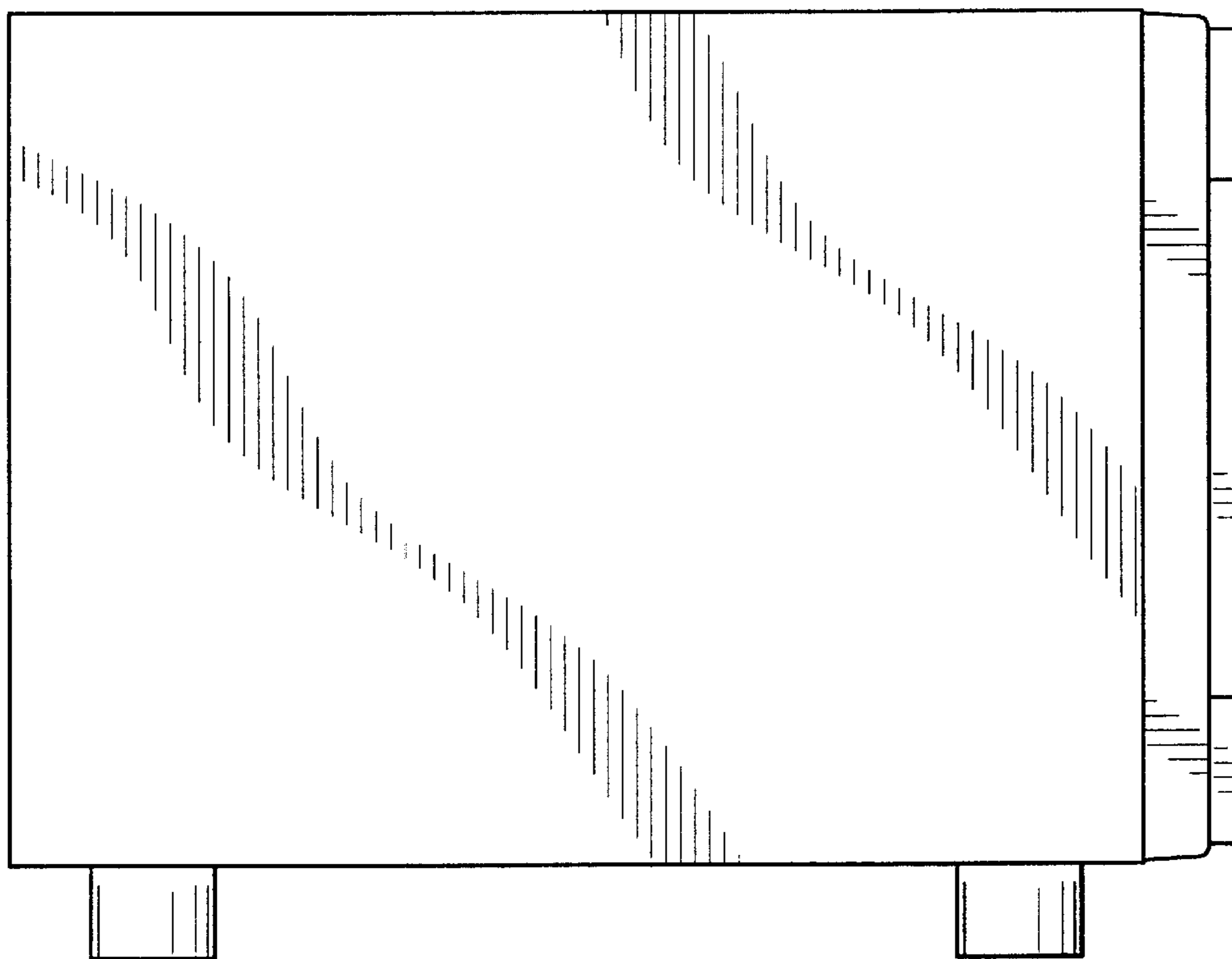


Fig.7