



US00D476514S

(12) **United States Design Patent**
Chesser et al.

(10) **Patent No.:** **US D476,514 S**

(45) **Date of Patent:** **** Jul. 1, 2003**

(54) **WORKSTATION SHELF**

5,584,546 A 12/1996 Gurin et al.
6,158,829 A 12/2000 Nielson

(75) Inventors: **Linda Elizabeth Chesser**, East Grand Rapids, MI (US); **William Frederick Schacht**, East Grand Rapids, MI (US)

OTHER PUBLICATIONS

(73) Assignee: **Nucraft Furniture Co.**, Comstock Park, MI (US)

Gaylord Feb. 1992, p. 8, No. DEX1 privacy shield in center.*

(**) Term: **14 Years**

National Business Furniture, Oct. 1, 1996, p. 49, organizer at bottom of page.*

(21) Appl. No.: **29/162,039**

* cited by examiner

(22) Filed: **Jun. 7, 2002**

Primary Examiner—Janice E. Seeger
(74) *Attorney, Agent, or Firm*—Van Dyke, Gardner, Linn & Burkhardt, LLP

Related U.S. Application Data

(57) **CLAIM**

(63) Continuation of application No. 10/163,958, filed on Jun. 6, 2002.

The ornamental design for a workstation shelf, as shown and described.

(51) **LOC (7) Cl.** **06-06**

DESCRIPTION

(52) **U.S. Cl.** **D6/511**

(58) **Field of Search** D6/421–428, 491, D6/509, 511; 312/194–196, 208.1, 208.4, 198, 223.1; 108/50.01, 50.02, 28, 60; 211/50, 126.3

FIG. 1 is a perspective view of the workstation shelf showing our new design wherein the workstation depicted in phantom is an illustrative example of the shelf's environment but forms no part of the design herein claimed;

FIG. 2 is a top view of the workstation shelf of FIG. 1; FIG. 3 is a front, elevational view of the workstation shelf of FIG. 1; and,

(56) **References Cited**

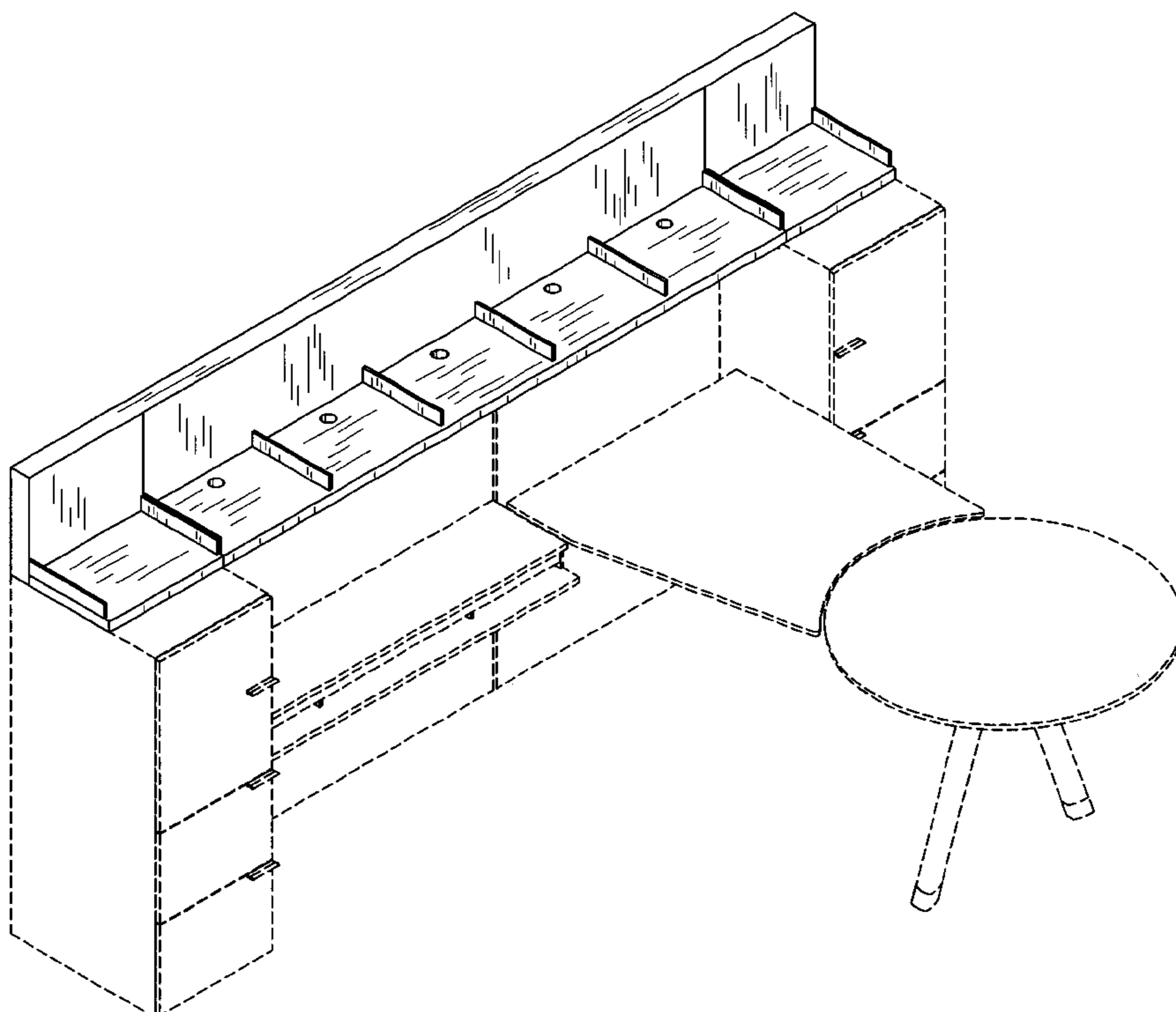
U.S. PATENT DOCUMENTS

- 3,078,133 A 2/1963 Schauer
- D204,989 S * 6/1966 Silver D6/426
- D240,581 S * 7/1976 Ostborg et al. D6/426
- D299,093 S 12/1988 Burdick
- 5,346,296 A 9/1994 Kelley
- 5,558,418 A 9/1996 Lambright et al.

FIG. 4 is a left side, elevational view of the workstation shelf of FIG. 1, the right side, elevational view being a mirror image thereof.

The bottom and rear elevation views of the workstation shelf are flat and unornamental.

1 Claim, 2 Drawing Sheets



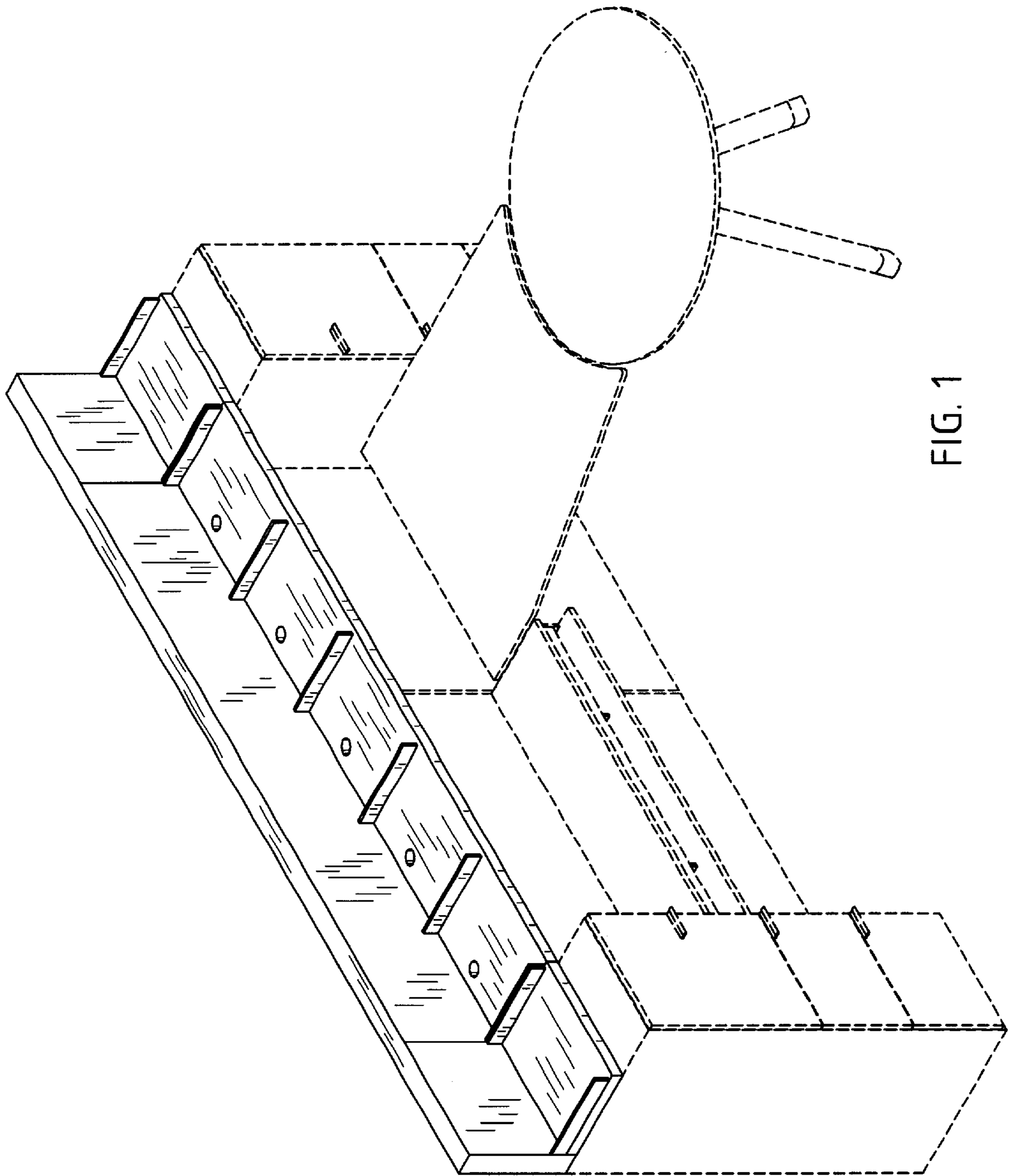


FIG. 1

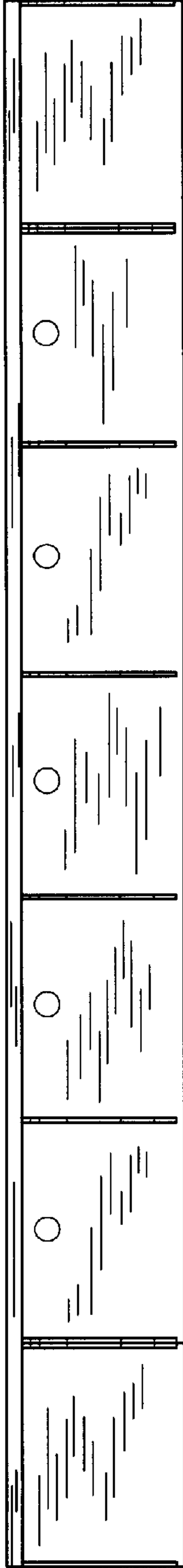


FIG. 2

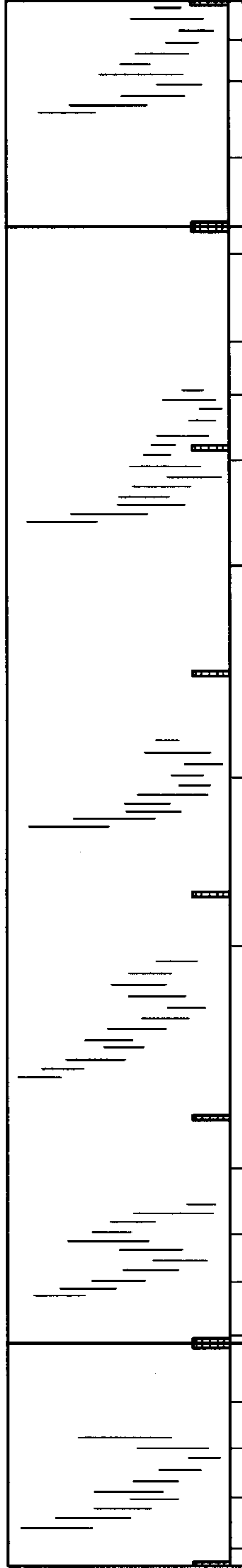


FIG. 3

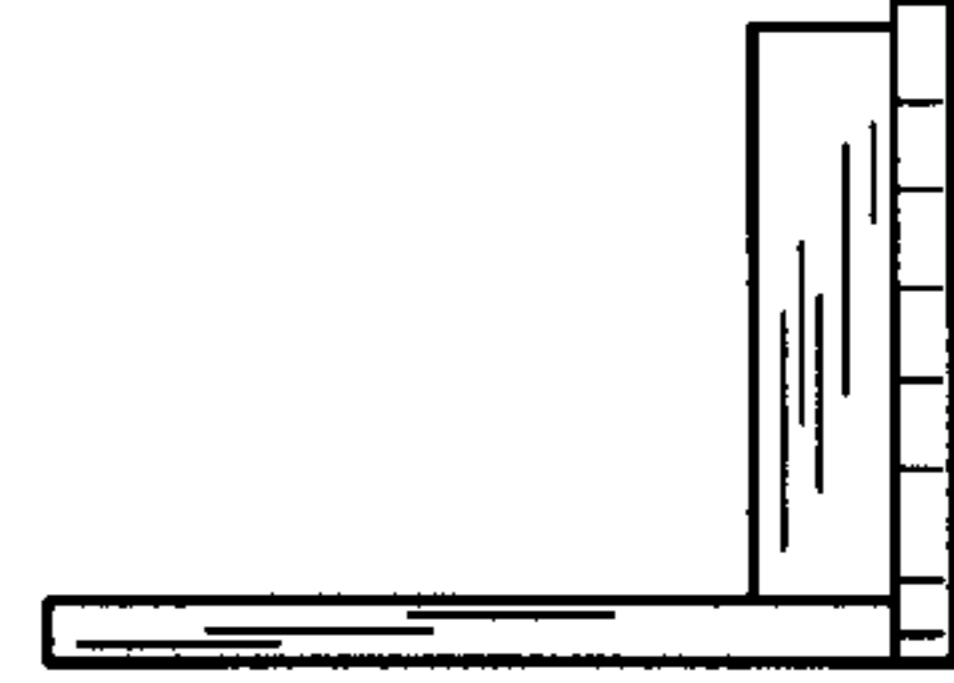


FIG. 4