



US00D476504S

(12) **United States Design Patent**
Jackson

(10) **Patent No.:** **US D476,504 S**

(45) **Date of Patent:** **** Jul. 1, 2003**

(54) **TABLE**

(75) **Inventor:** **Steven Jackson**, Woodbridge (CA)

(73) **Assignee:** **Royal Alliance Inc.**, Woodbridge (CA)

(**) **Term:** **14 Years**

(21) **Appl. No.:** **29/164,858**

(22) **Filed:** **Aug. 2, 2002**

(51) **LOC (7) Cl.** **06-03**

(52) **U.S. Cl.** **D6/429; D6/480; D6/487**

(58) **Field of Search** **D6/480-489, 429-431,**
D6/495, 499; 108/153, 155, 156, 157.1,
161, 124-126, 115, 127, 130, 131; 248/188,
188.1, 188.8

(56) **References Cited**

U.S. PATENT DOCUMENTS

2,689,158 A * 9/1954 Mahr 108/131
4,951,576 A * 8/1990 Cobos et al. 108/131

D350,862 S * 9/1994 Beller D6/429
D358,278 S * 5/1995 Goodwin D6/449
5,865,128 A * 2/1999 Tarnay 108/133
D414,626 S * 10/1999 Collins et al. D6/429

OTHER PUBLICATIONS

Factory Direct Furniture, Apr. 26, 1995, p. 50, table at bottom left.*

* cited by examiner

Primary Examiner—Janice E. Seeger

(57) **CLAIM**

The ornamental design for a table, as shown and described.

DESCRIPTION

FIG. 1 is a perspective view of the table to which the design is applied; and, FIGS. 2 through 5 are top, side, end and bottom views of the table of FIG. 1.

1 Claim, 5 Drawing Sheets

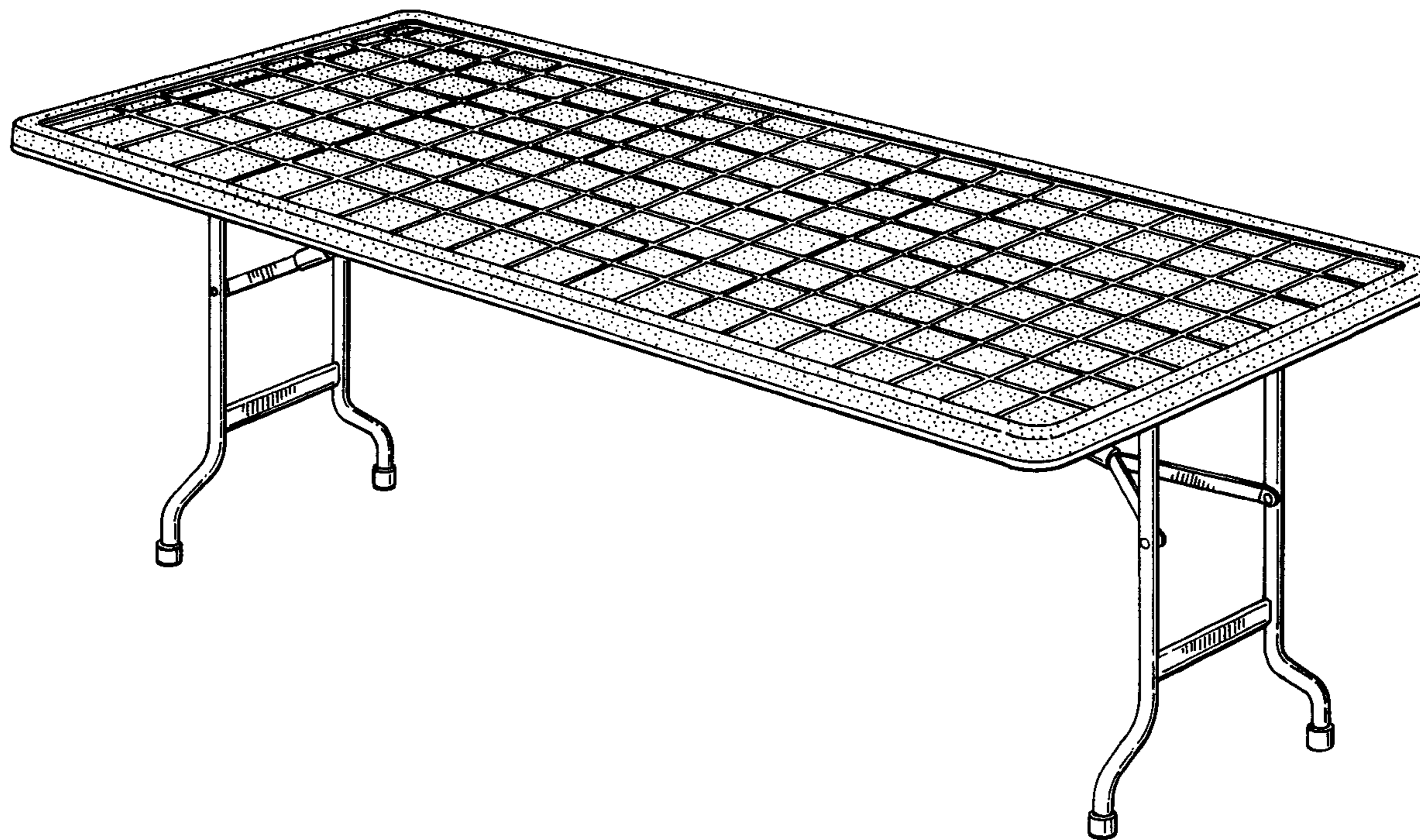
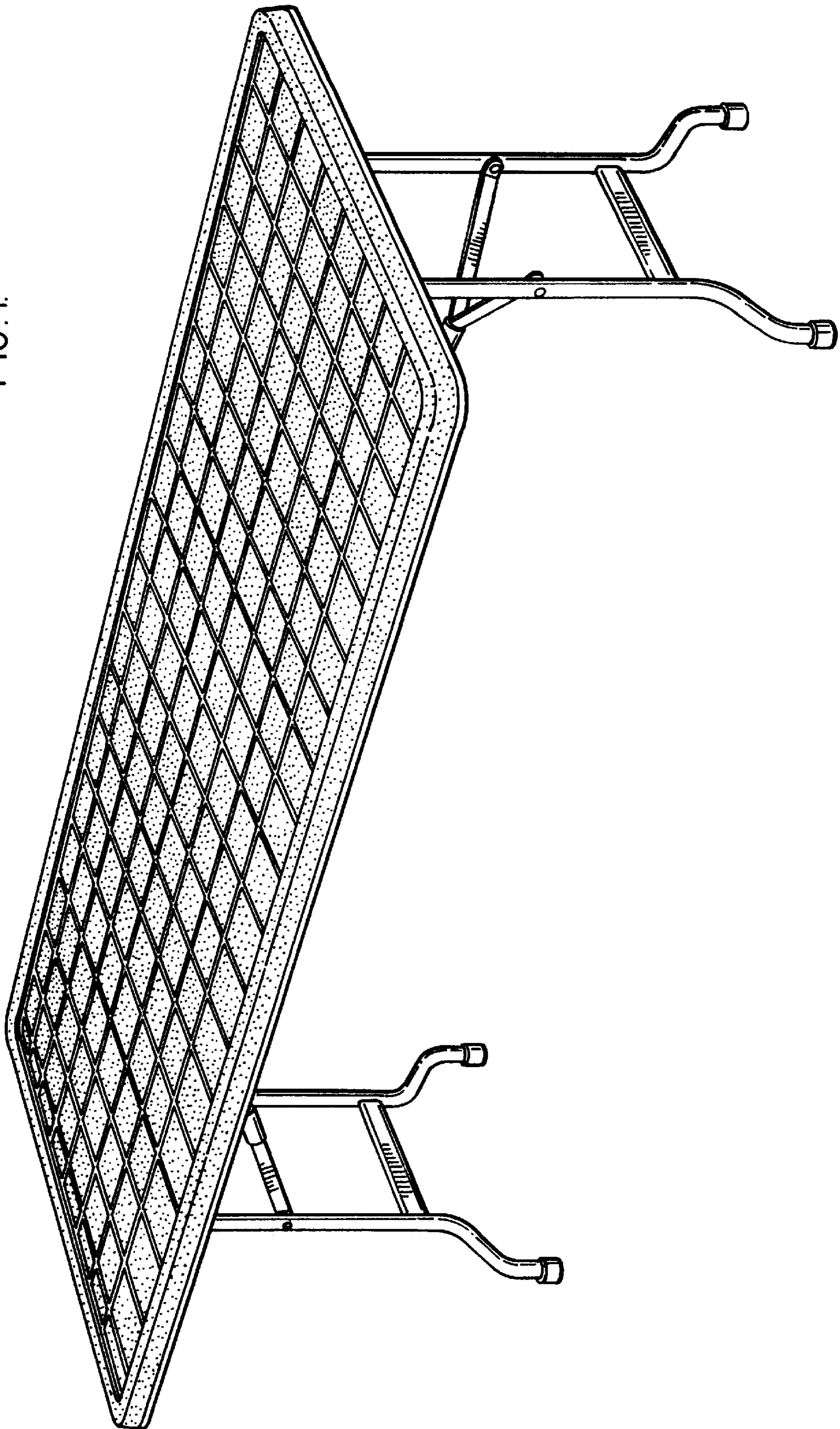


FIG. 1.



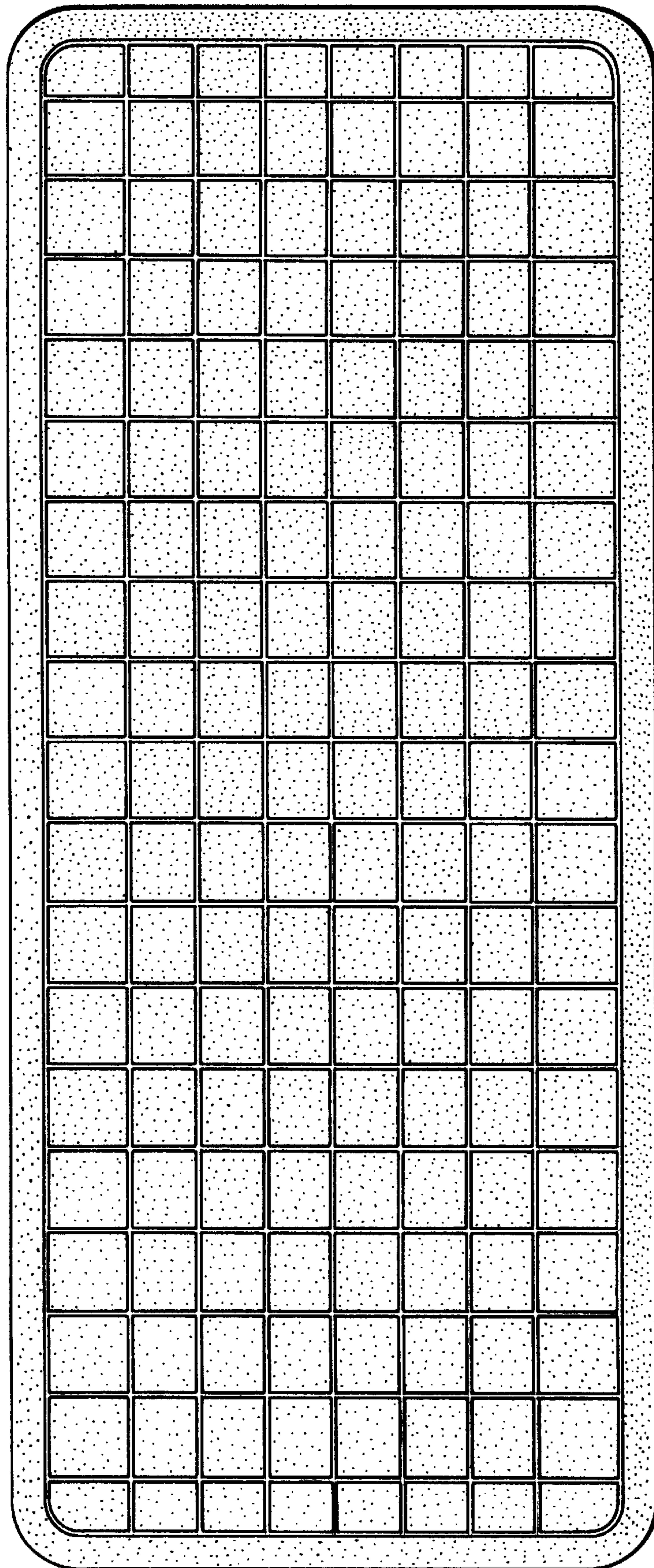


FIG.2.

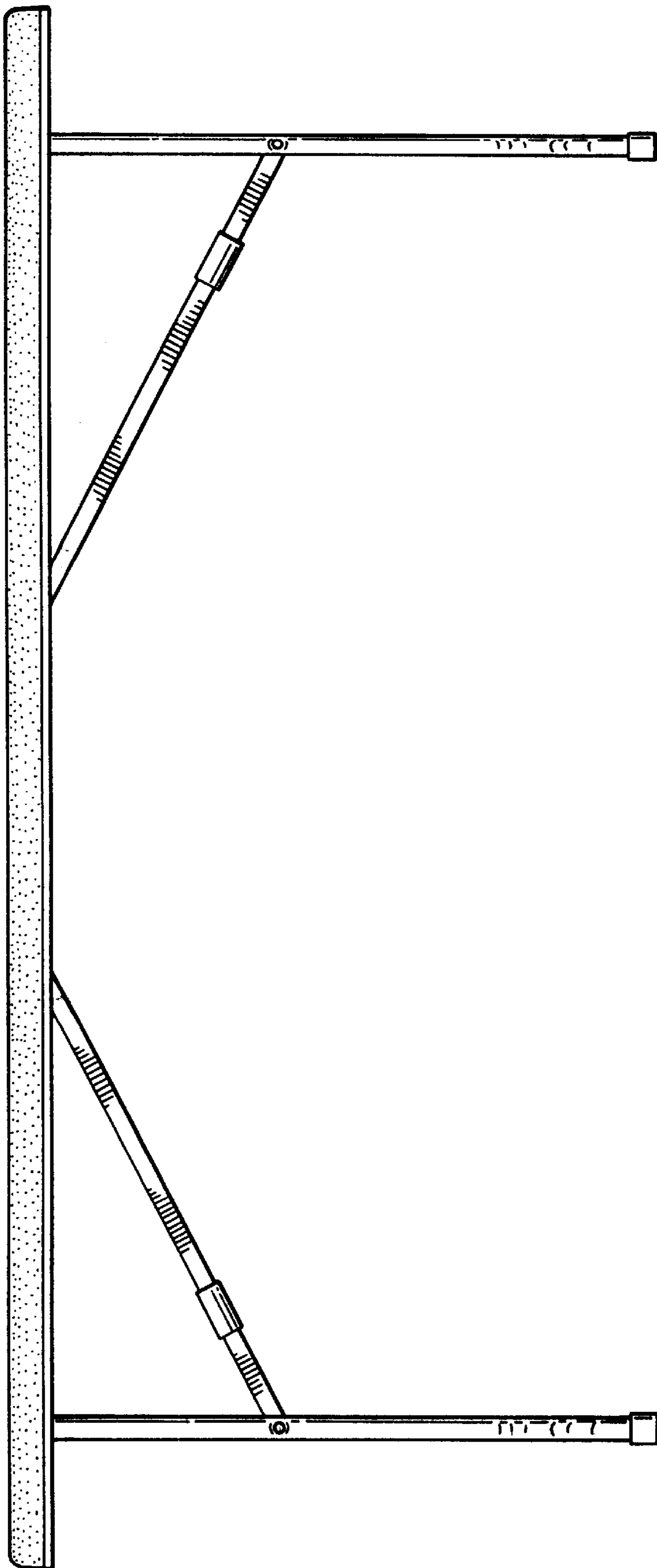


FIG.3.

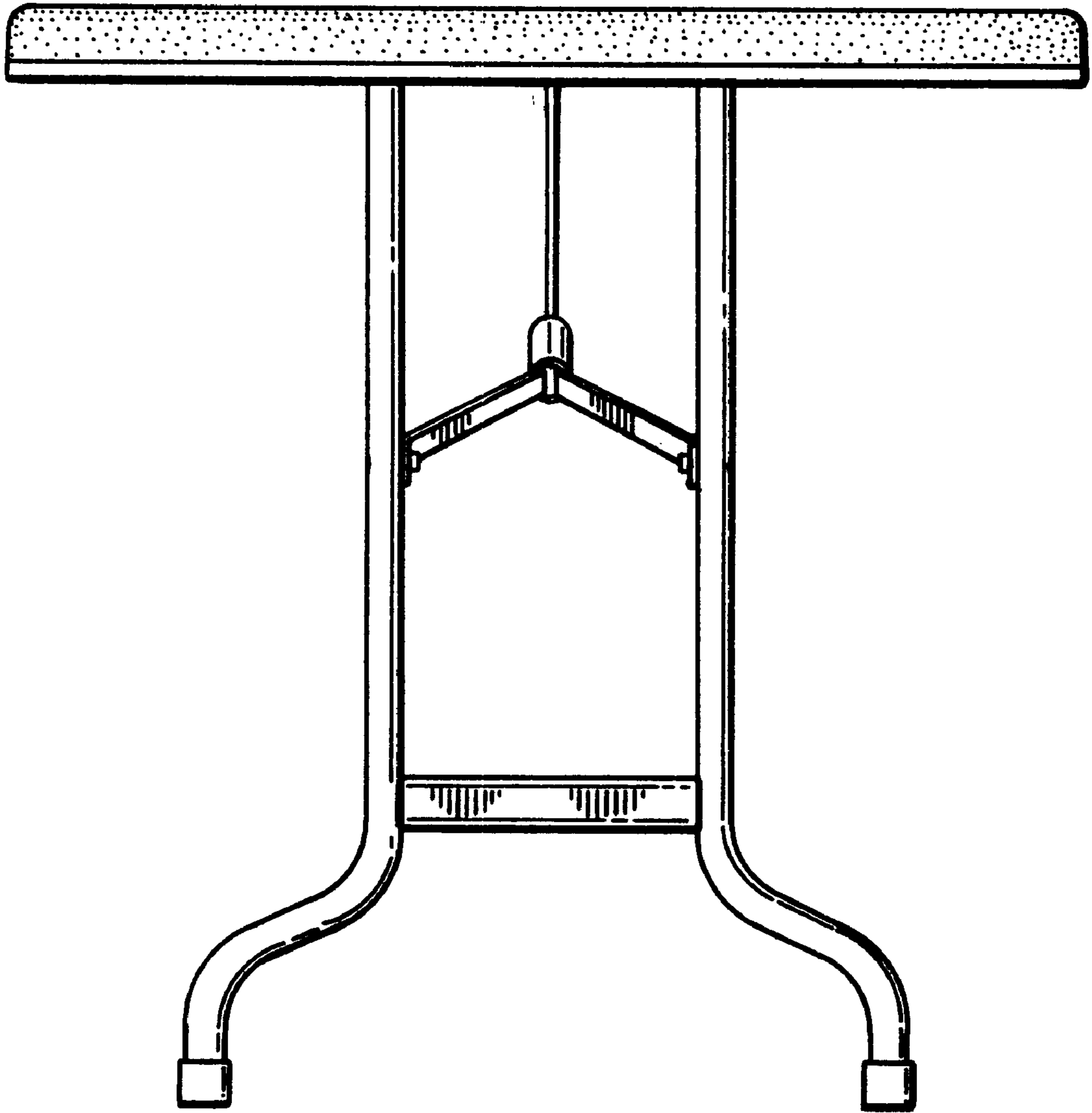


FIG. 4.

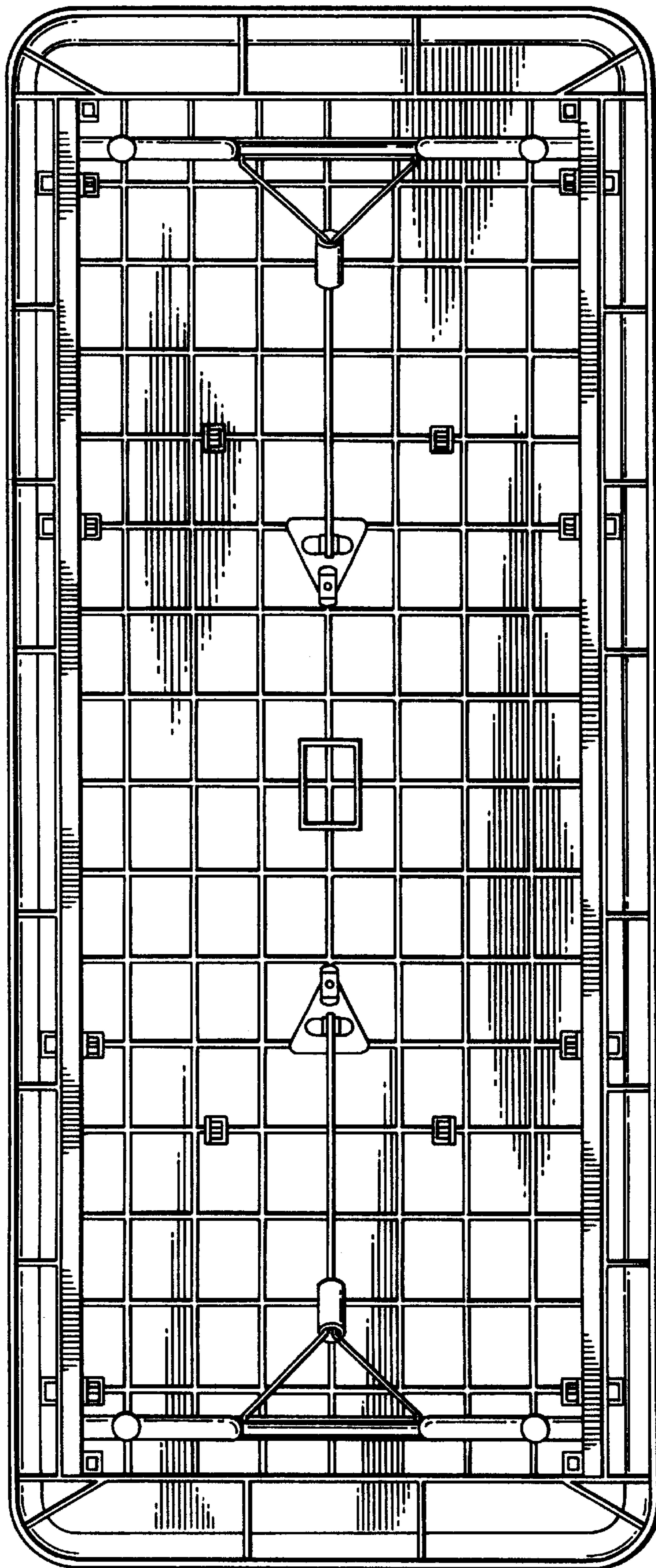


FIG. 5.