



US00D476503S

(12) **United States Design Patent**
Chesser et al.

(10) **Patent No.:** **US D476,503 S**

(45) **Date of Patent:** **** Jul. 1, 2003**

(54) **WORKSTATION**

(75) **Inventors:** **Linda Elizabeth Chesser**, East Grand Rapids, MI (US); **William Frederick Schacht**, East Grand Rapids, MI (US)

(73) **Assignee:** **Nucraft Furniture Co.**, Comstock Park, MI (US)

(**) **Term:** **14 Years**

(21) **Appl. No.:** **29/161,988**

(22) **Filed:** **Jun. 7, 2002**

(51) **LOC (7) Cl.** **06-04**

(52) **U.S. Cl.** **D6/426**

(58) **Field of Search** D6/421-428; 312/194-196, 312/208.1, 208.4, 223.1, 198; 108/50.01, 50.02, 28, 60; 211/50, 126.3

(56) **References Cited**

U.S. PATENT DOCUMENTS

3,078,133	A	2/1963	Schauer	
D204,989	S	* 6/1966	Silver	D6/426
D240,581	S	* 7/1976	Ostborg et al.	D6/426
5,130,494	A	7/1992	Simonton et al.	
5,346,296	A	9/1994	Kelley	
5,558,418	A	9/1996	Lambright et al.	
5,584,546	A	12/1996	Gurin et al.	
5,601,348	A	* 2/1997	Minkovski	312/237

5,860,713	A	1/1999	Richardson	
D407,916	S	* 4/1999	Zaidman et al.	D6/397
6,070,956	A	6/2000	Yates	
6,158,829	A	12/2000	Nielsen	
6,241,329	B1	6/2001	Nielsen	
D445,277	S	* 7/2001	Petri	D6/422
D464,503	S	* 10/2002	Novikoff	D6/426

* cited by examiner

Primary Examiner—Janice E. Seeger

(74) *Attorney, Agent, or Firm*—Van Dyke, Gardner, Linn & Burkhardt, LLP

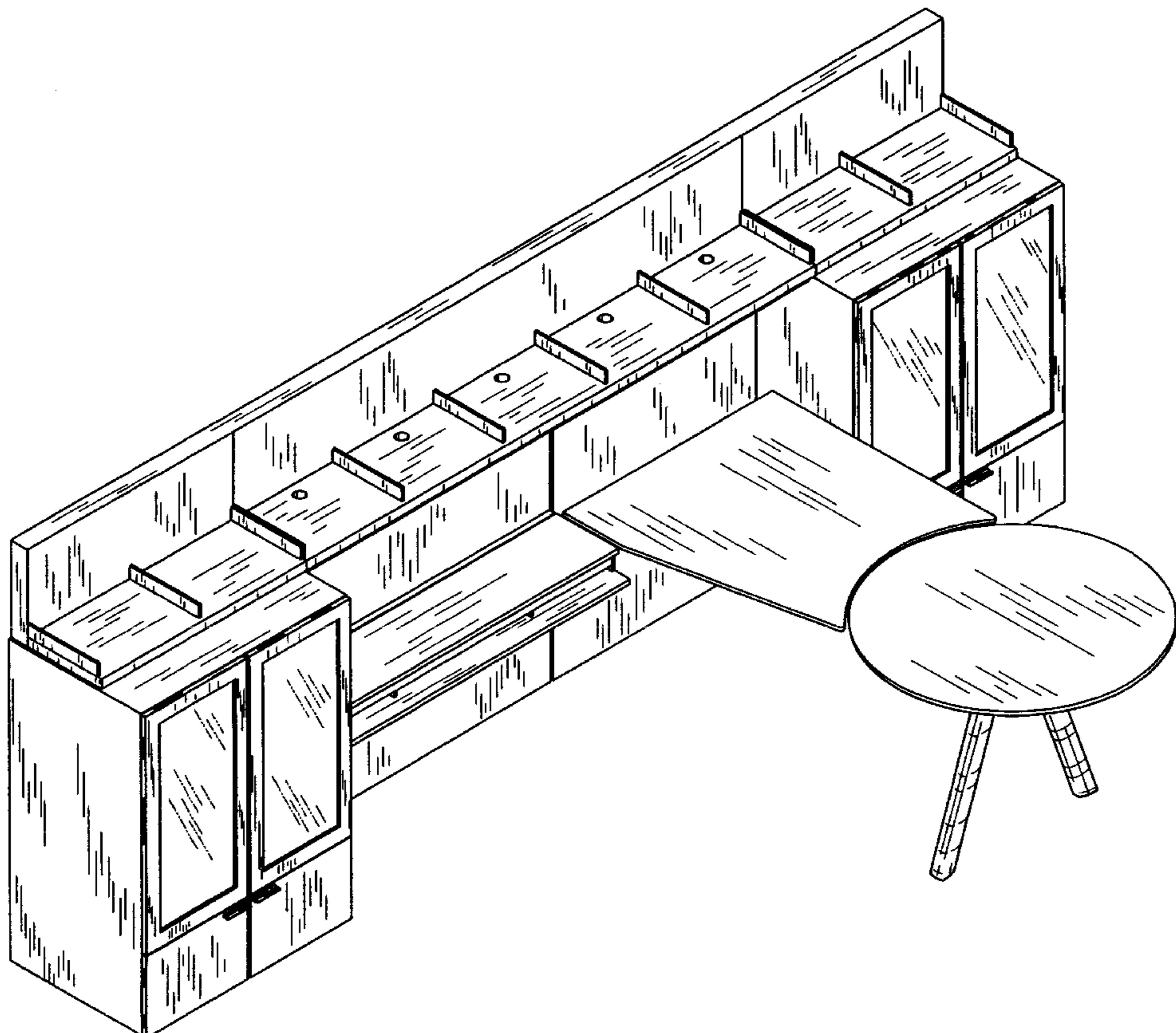
(57) **CLAIM**

The ornamental design for a workstation, as shown and described.

DESCRIPTION

FIG. 1 is a perspective view of the workstation showing our new design;
 FIG. 2 is a plan view of the workstation of FIG. 1;
 FIG. 3 is a front, elevational view of the workstation of FIG. 1; and,
 FIG. 4 is a left side, elevational view of the workstation of FIG. 1, the right side, elevational view being a mirror image thereof.
 The bottom and rear of the workstation are flat and unornamental.

1 Claim, 4 Drawing Sheets



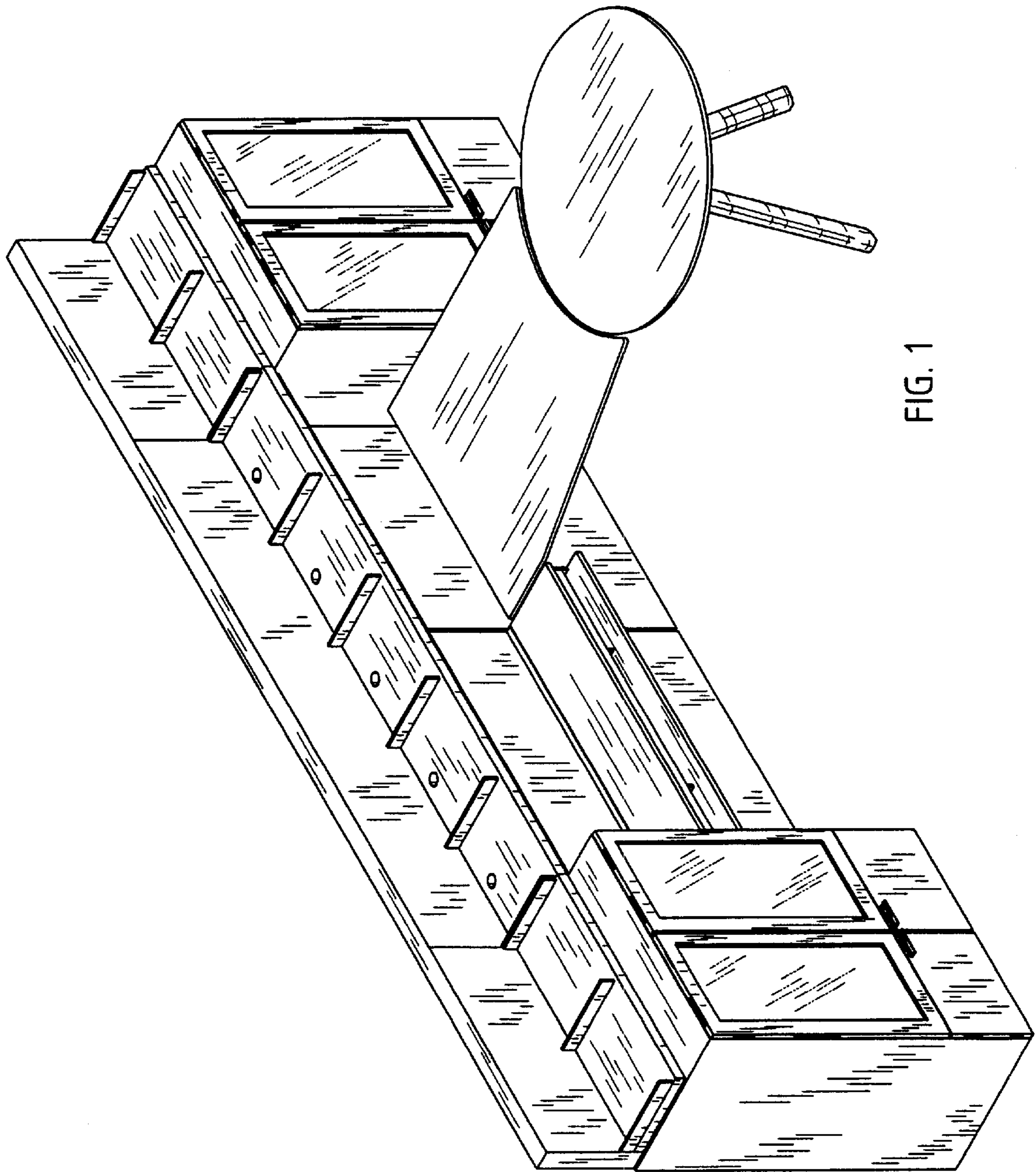


FIG. 1

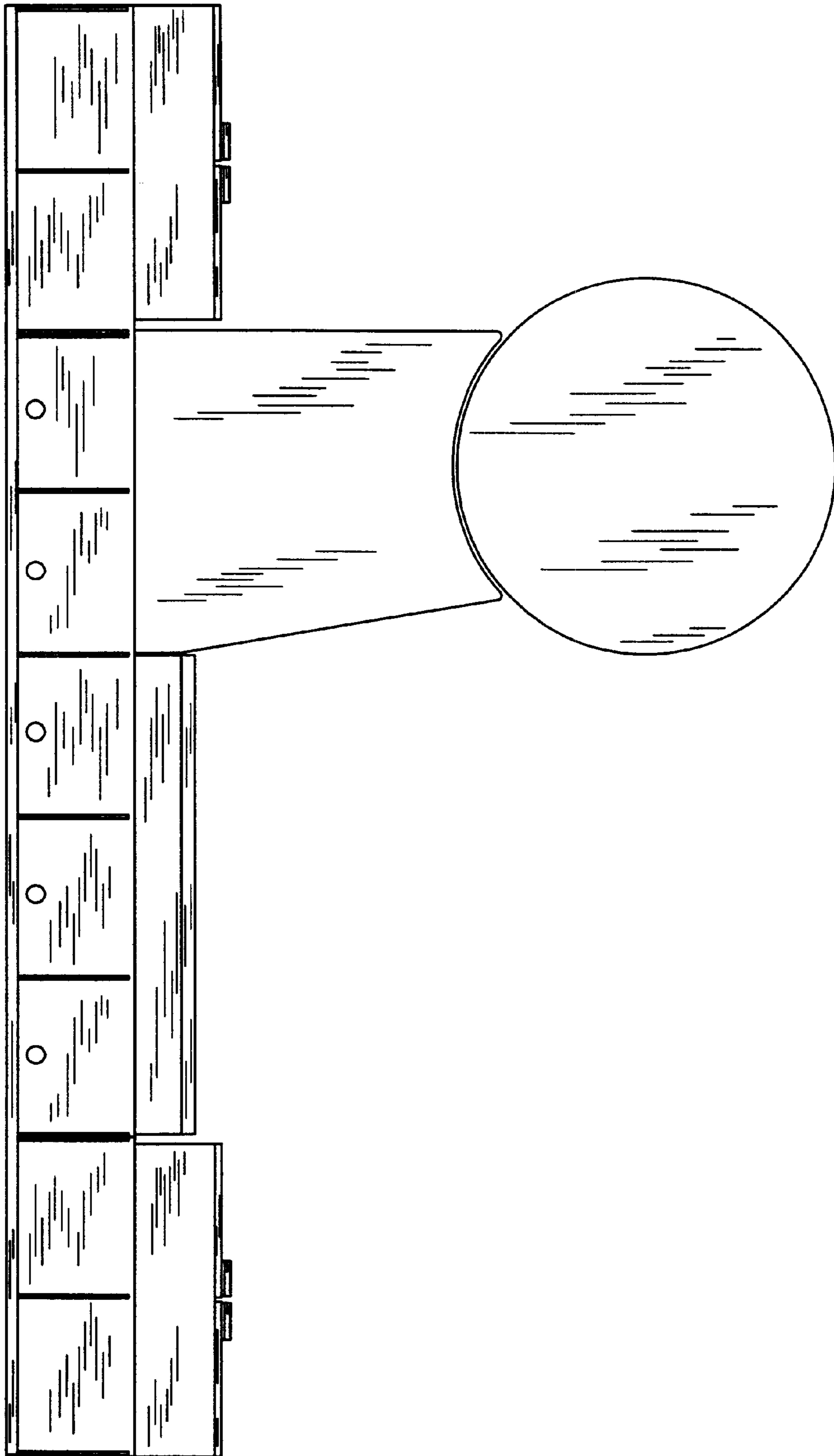


FIG. 2

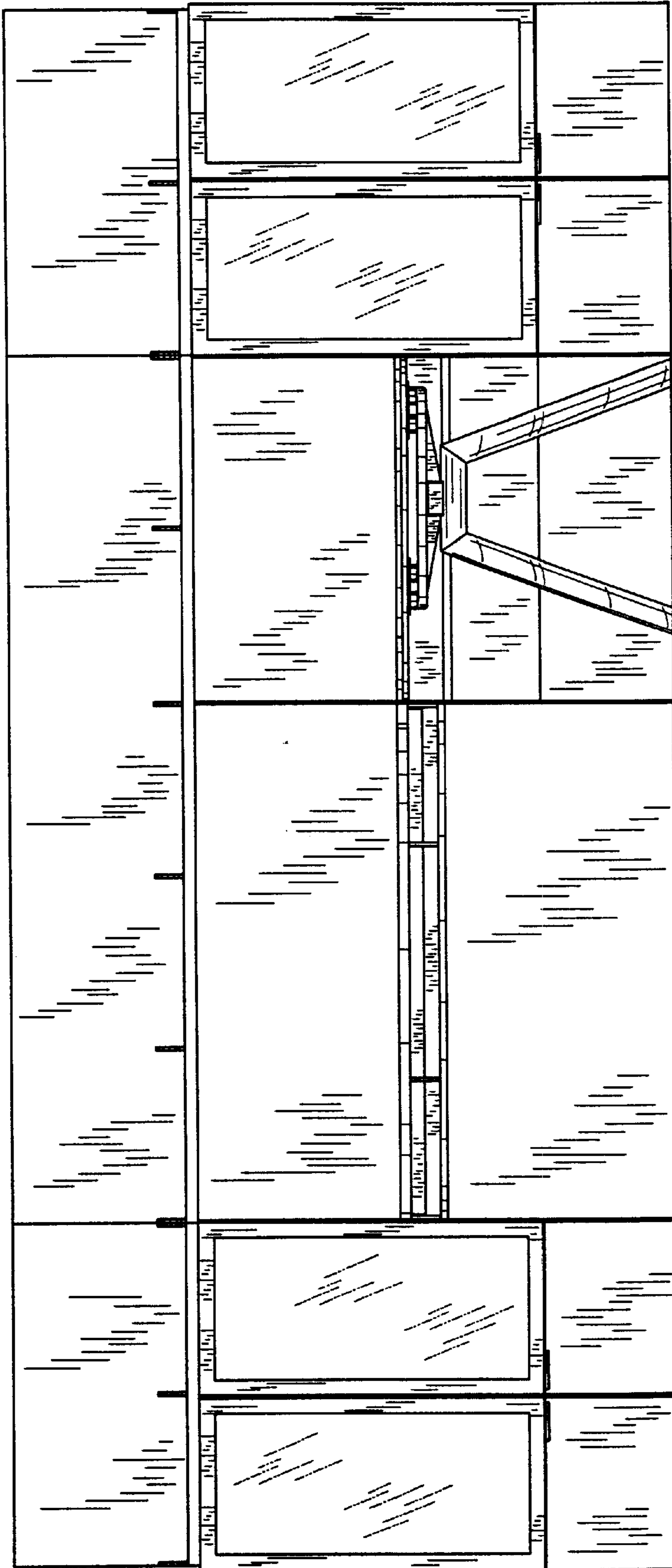


FIG. 3

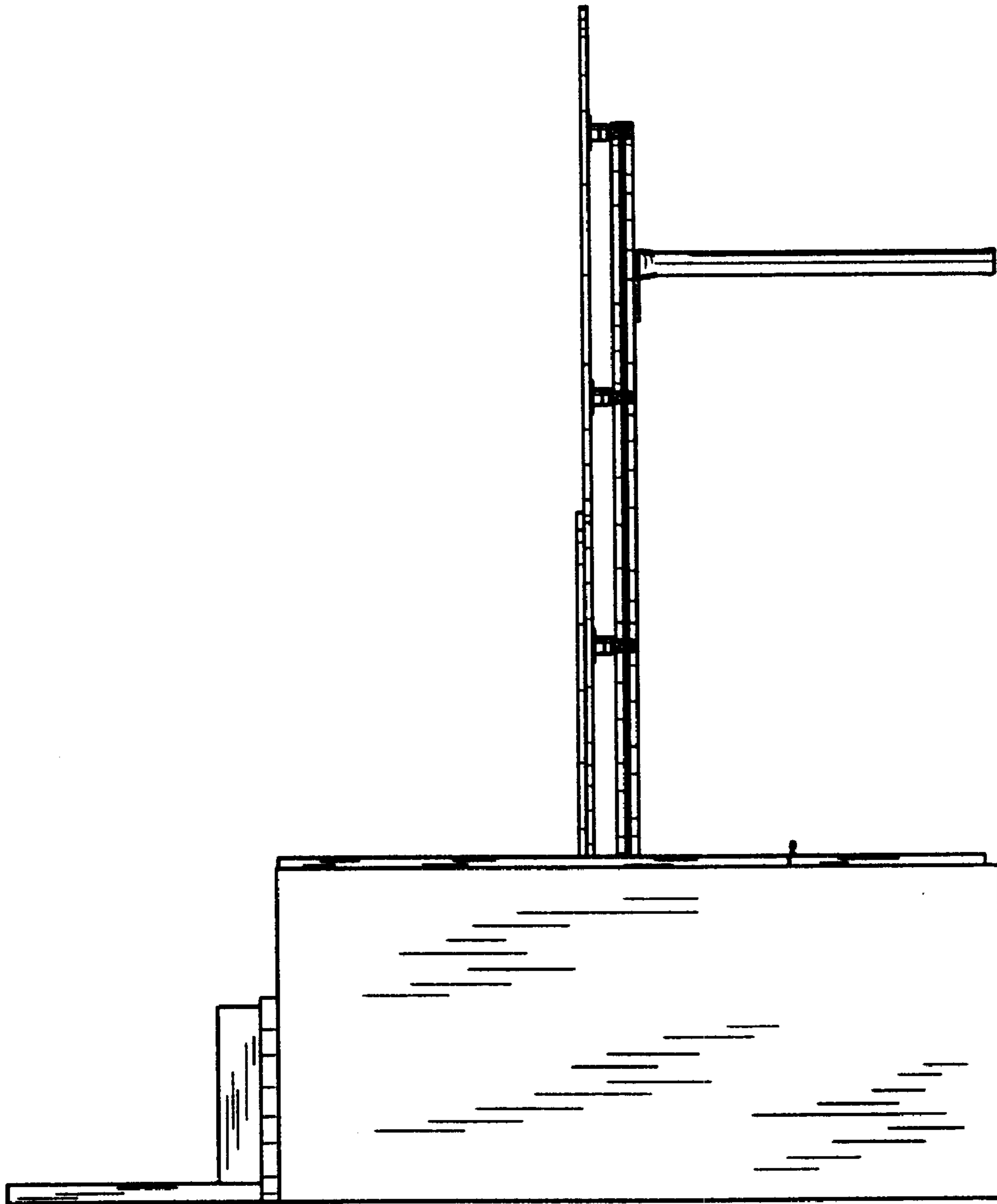


FIG. 4

UNITED STATES PATENT AND TRADEMARK OFFICE
CERTIFICATE OF CORRECTION

PATENT NO. : Des. 476,503 S
DATED : July 1, 2003
INVENTOR(S) : Linda Elisabeth Chesser and William Frederick Schacht

Page 1 of 1

It is certified that error appears in the above-identified patent and that said Letters Patent is hereby corrected as shown below:

Title page,

Item [63], **Related U.S. Application Data**, insert:

-- Continuation of Application No. 10/163,958, filed on June 6, 2002. --

Signed and Sealed this

First Day of June, 2004

A handwritten signature in black ink on a dotted background. The signature reads "Jon W. Dudas" in a cursive style.

JON W. DUDAS

Acting Director of the United States Patent and Trademark Office