



US00D476502S

(12) **United States Design Patent**  
**Sparkowski**

(10) **Patent No.:** **US D476,502 S**

(45) **Date of Patent:** **\*\* Jul. 1, 2003**

(54) **PRODUCT DISPENSER**

(75) Inventor: **Robert P. Sparkowski**, Schaumburg, IL (US)

(73) Assignee: **Chicago Display Marketing Corporation**, Melrose Park, IL (US)

(\*\*) Term: **14 Years**

(21) Appl. No.: **29/171,576**

(22) Filed: **Nov. 25, 2002**

**Related U.S. Application Data**

(62) Division of application No. 29/164,309, filed on Jul. 22, 2002.

(51) **LOC (7) Cl.** ..... **06-04**

(52) **U.S. Cl.** ..... **D6/408; D6/455; D6/467; D6/476**

(58) **Field of Search** ..... D6/408, 449, 455, D6/467, 476, 411, 415, 513; 211/107, 113, 115, 119; 221/66-68, 92, 97, 112, 194-196, 257, 282, 285; 222/173, 180, 181.1, 181.2

(56) **References Cited**

**U.S. PATENT DOCUMENTS**

D76,662 S \* 10/1928 Buchenau et al. .... D6/455

D91,693 S	*	3/1934	Van Cleef .....	D6/476
D110,304 S	*	6/1938	Knipple .....	D6/408
D206,900 S	*	2/1967	Hagedorn .....	D6/515
D232,994 S	*	10/1974	Puente .....	D6/476
D245,653 S	*	9/1977	Kent et al. ....	D6/515
D248,128 S	*	6/1978	Mineo .....	D6/514
4,140,223 A	*	2/1979	Rau et al. ....	211/78
D318,195 S	*	7/1991	Wells et al. ....	D6/455

\* cited by examiner

*Primary Examiner*—Cathron C. Brooks

(74) *Attorney, Agent, or Firm*—Vedder Price Kaufman & Kammholz

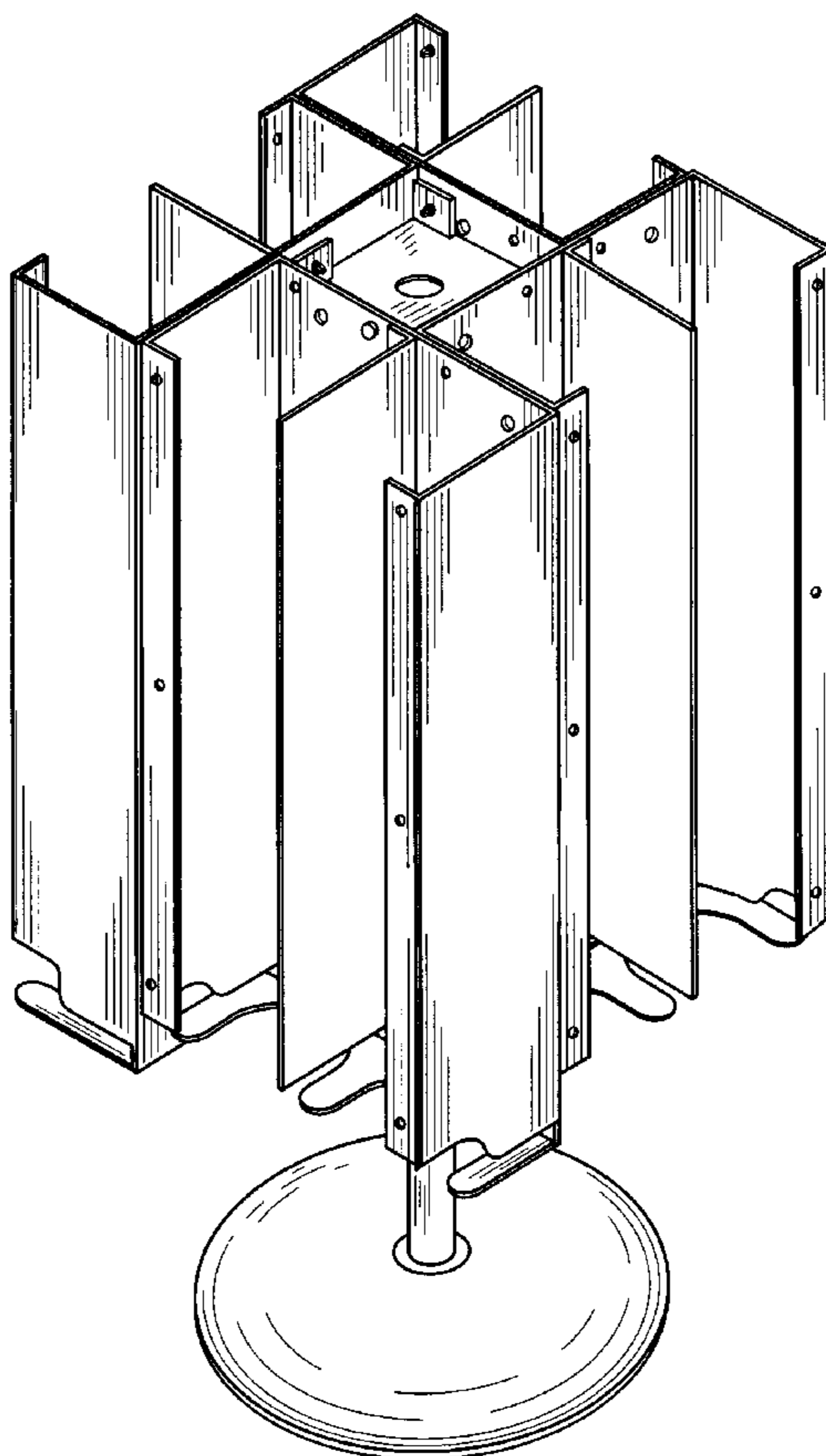
(57) **CLAIM**

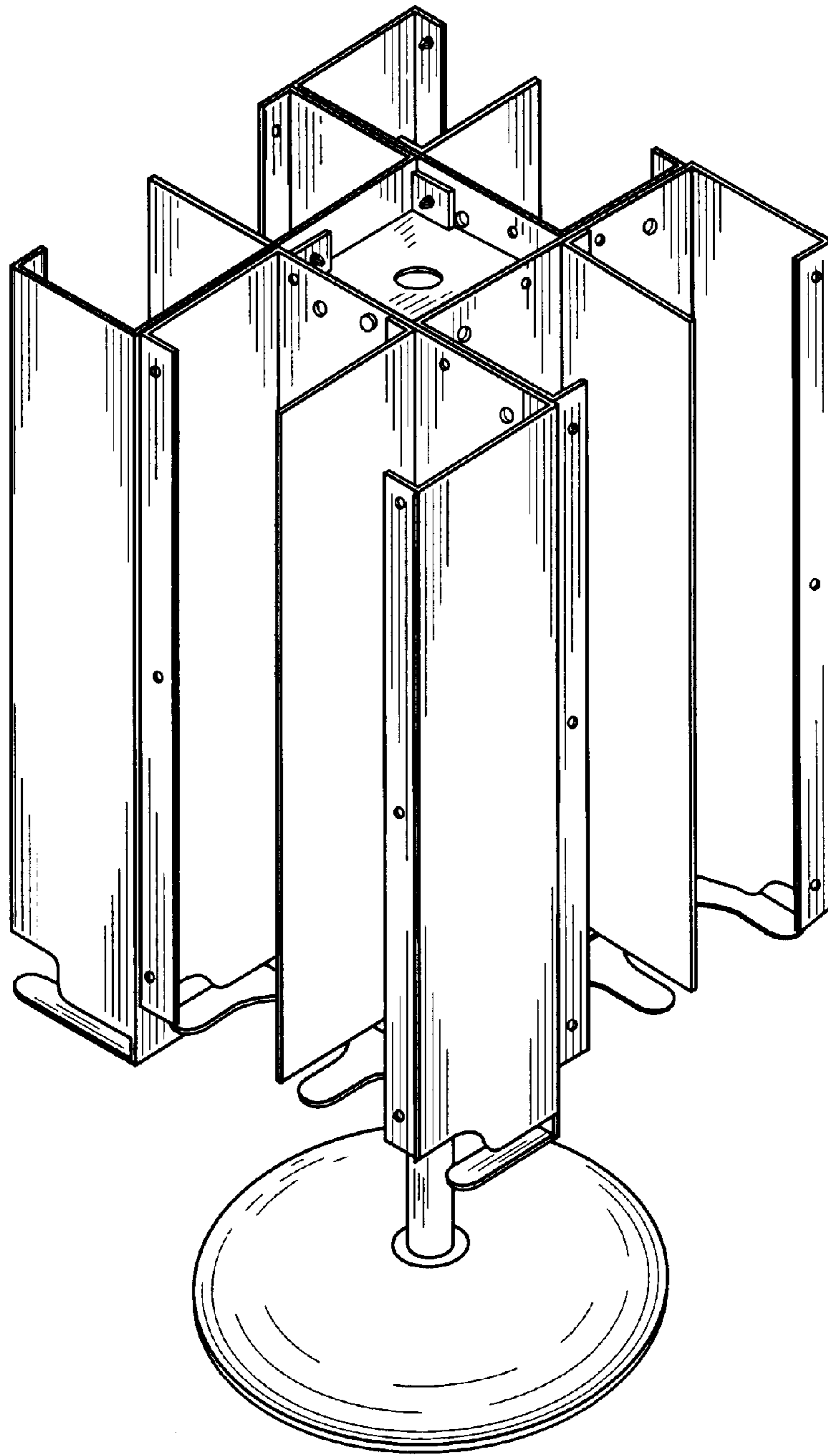
The ornamental design for the product dispenser, as shown and described.

**DESCRIPTION**

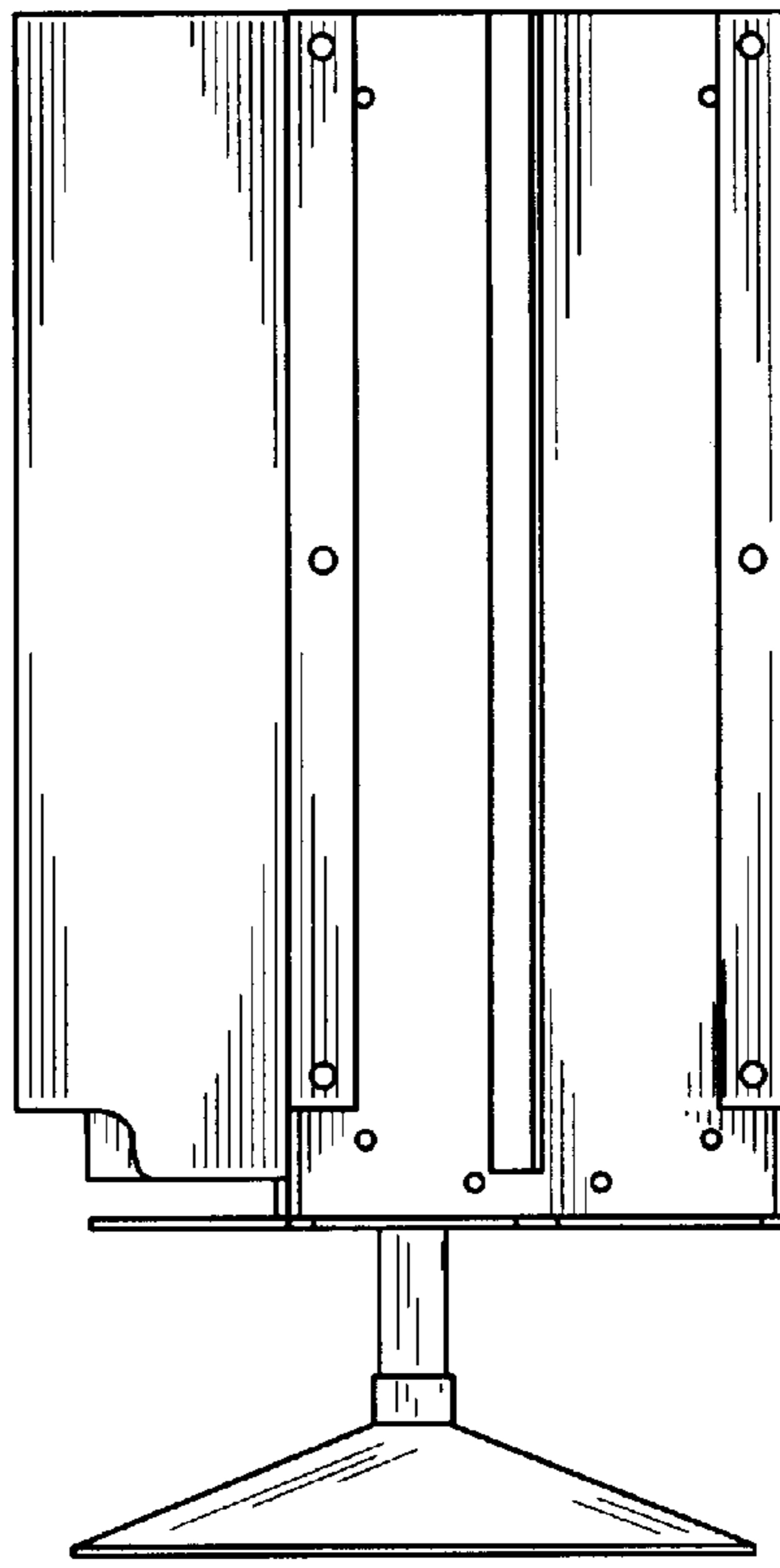
FIG. 1 is a perspective view of my invention;  
FIG. 2 is a side view of my invention shown in FIG. 1, the other sides being identical;  
FIG. 3 is a top view of my invention shown in FIG. 1; and,  
FIG. 4 is a bottom view of my invention shown in FIG. 1.

**1 Claim, 2 Drawing Sheets**

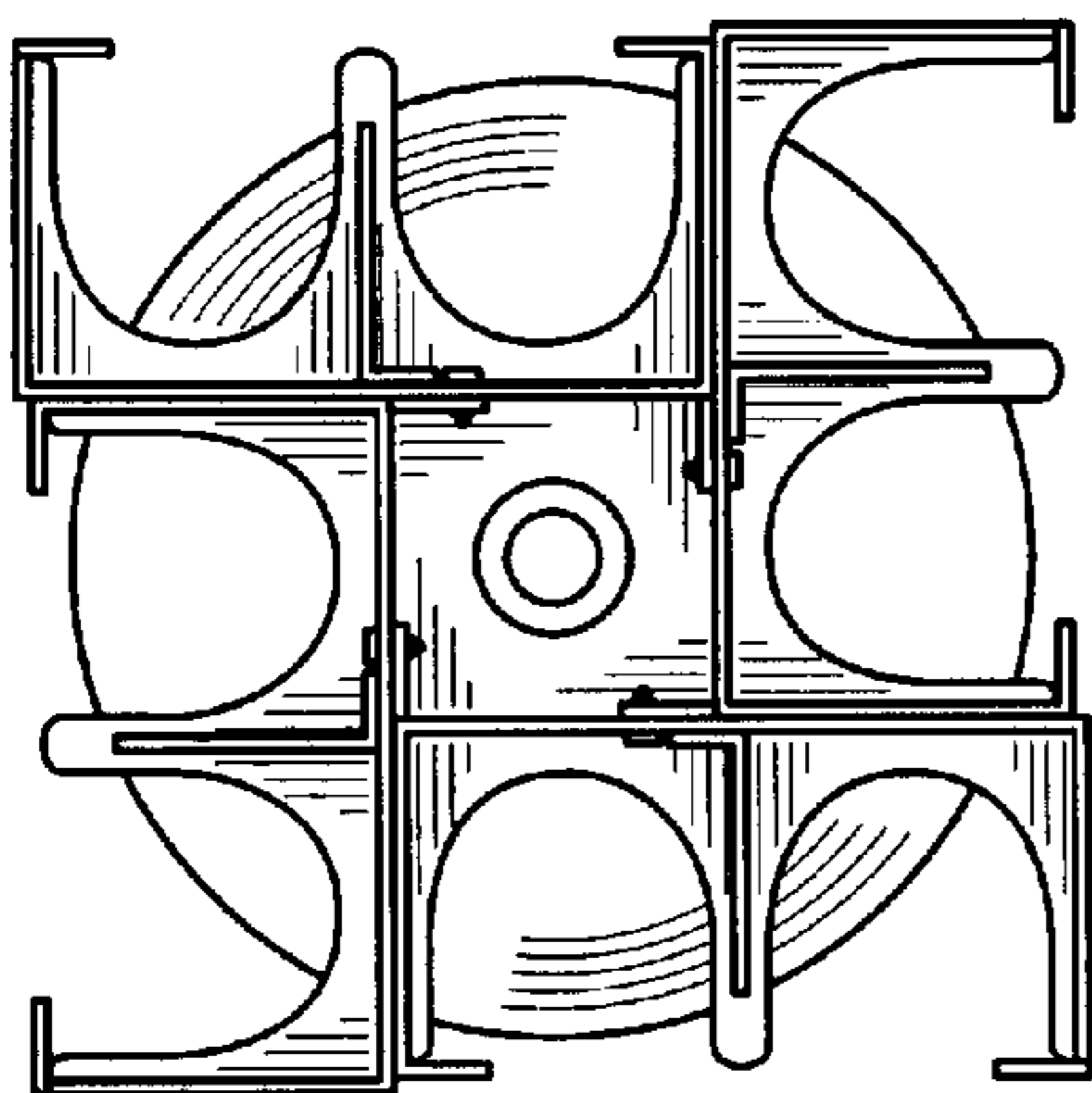




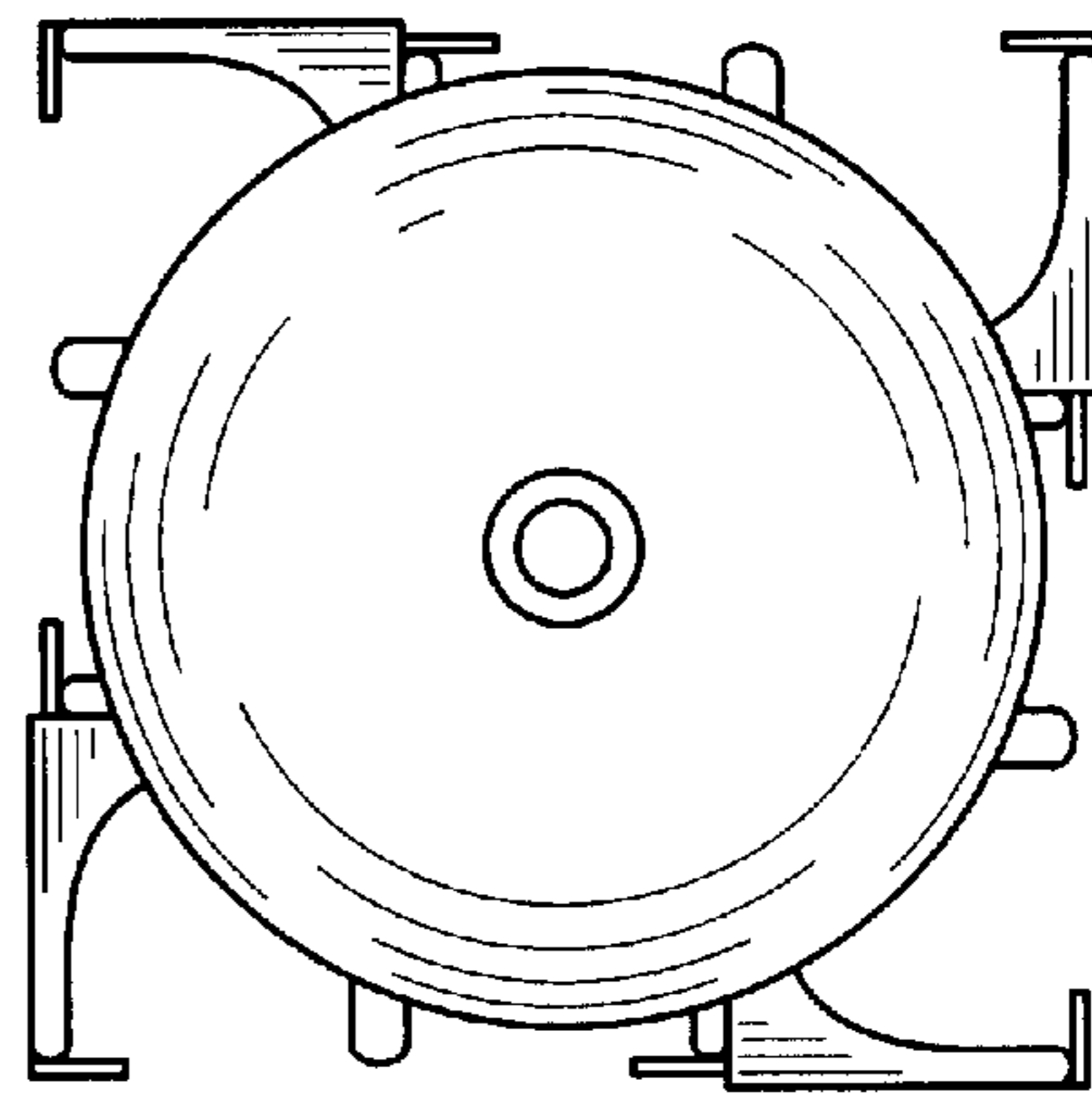
**FIG. 1**



**FIG. 2**



**FIG. 3**



**FIG. 4**