



US00D476495S

(12) **United States Design Patent**
Tsai

(10) **Patent No.:** **US D476,495 S**

(45) **Date of Patent:** **** Jul. 1, 2003**

(54) **CHAIR**

(76) Inventor: **Wen-Ta Tsai**, 58, Ma Yuan West St.,
Taichung (TW)

(**) Term: **14 Years**

(21) Appl. No.: **29/156,456**

(22) Filed: **Feb. 27, 2002**

(51) **LOC (7) Cl.** **06-01**

(52) **U.S. Cl.** **D6/380; D6/368**

(58) **Field of Search** D6/334, 364, 365,
D6/366, 368, 374, 379, 380, 500, 501,
502; 297/411.2, 411.29

(56) **References Cited**

U.S. PATENT DOCUMENTS

- D272,205 S * 1/1984 De Boer D6/366
- D273,350 S * 4/1984 Cafiero D6/366
- D437,497 S * 2/2001 Bräuning D6/366
- D446,661 S * 8/2001 Ambasz D6/368

- D447,353 S * 9/2001 Peloquin D6/368
- D456,627 S * 5/2002 Pearce et al. D6/366
- D464,495 S * 10/2002 Chu D6/374

* cited by examiner

Primary Examiner—Gary D. Watson

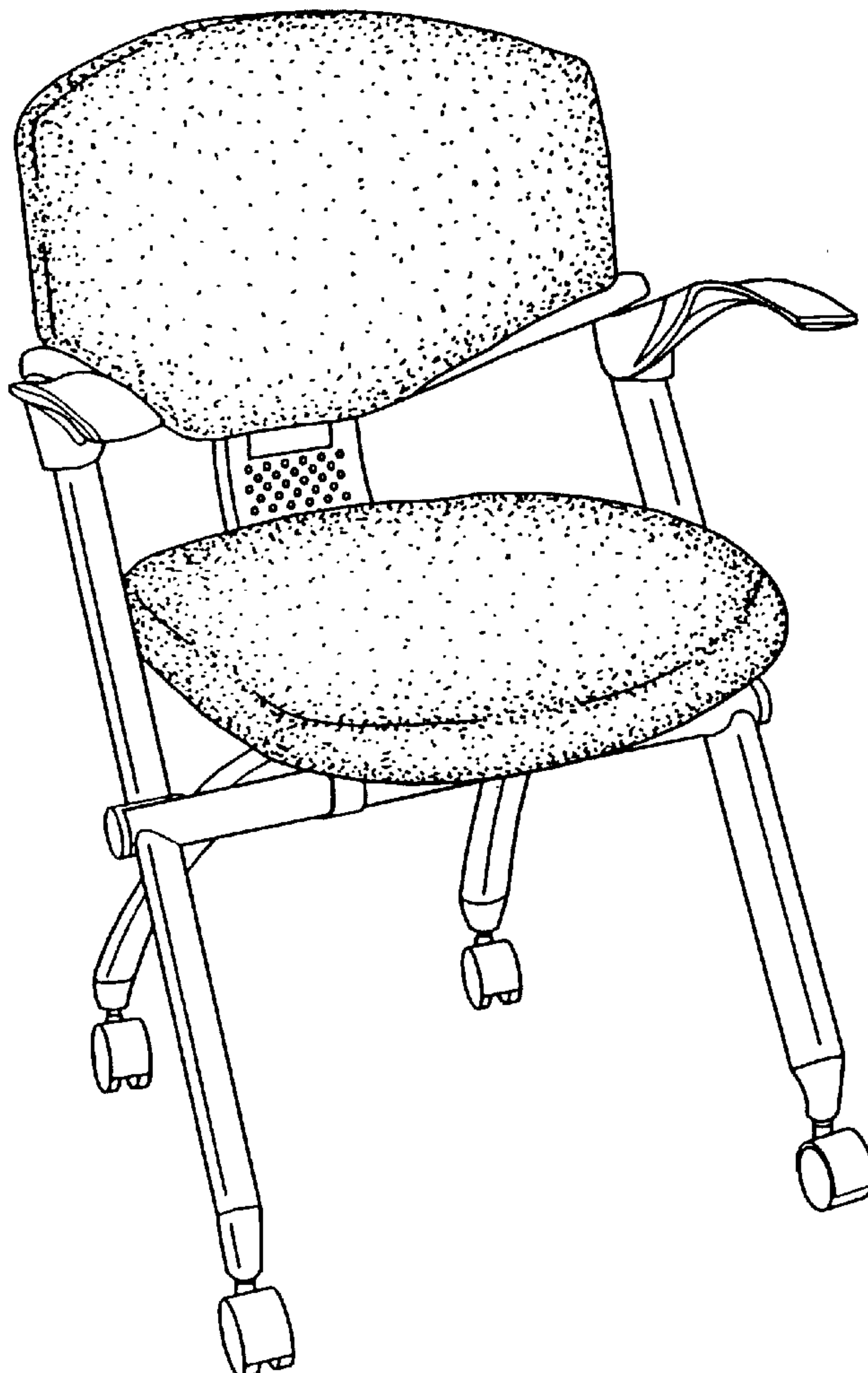
(57) **CLAIM**

The ornamental design for a chair, as shown and described.

DESCRIPTION

FIG. 1 is a front elevational view of a chair showing my design;
 FIG. 2 is a rear elevational view thereof;
 FIG. 3 is a left side elevational view thereof;
 FIG. 4 is a right side elevational view thereof;
 FIG. 5 is a top plan view thereof;
 FIG. 6 is a bottom plan view thereof; and,
 FIG. 7 is a perspective view thereof.

1 Claim, 4 Drawing Sheets



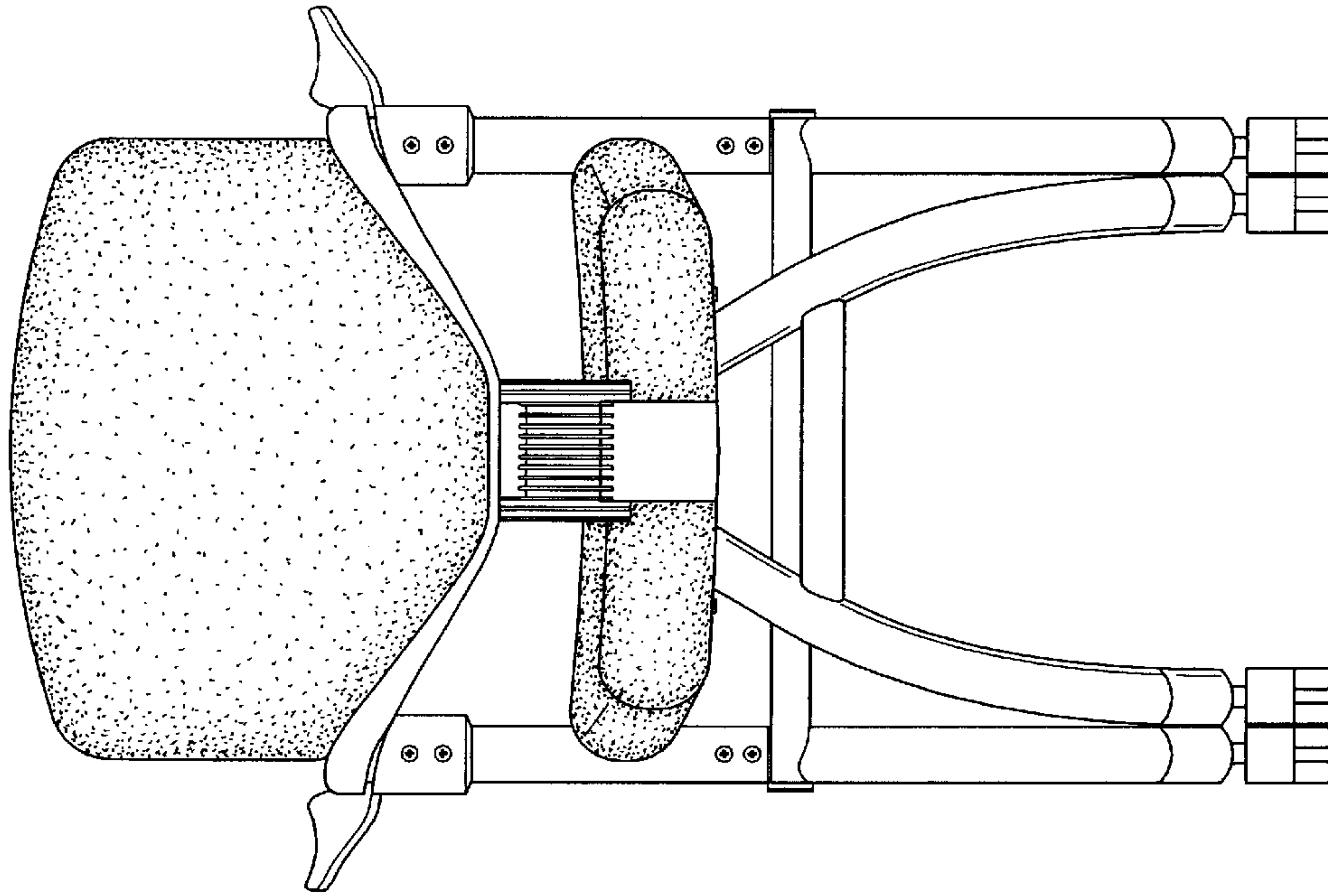


FIG. 1

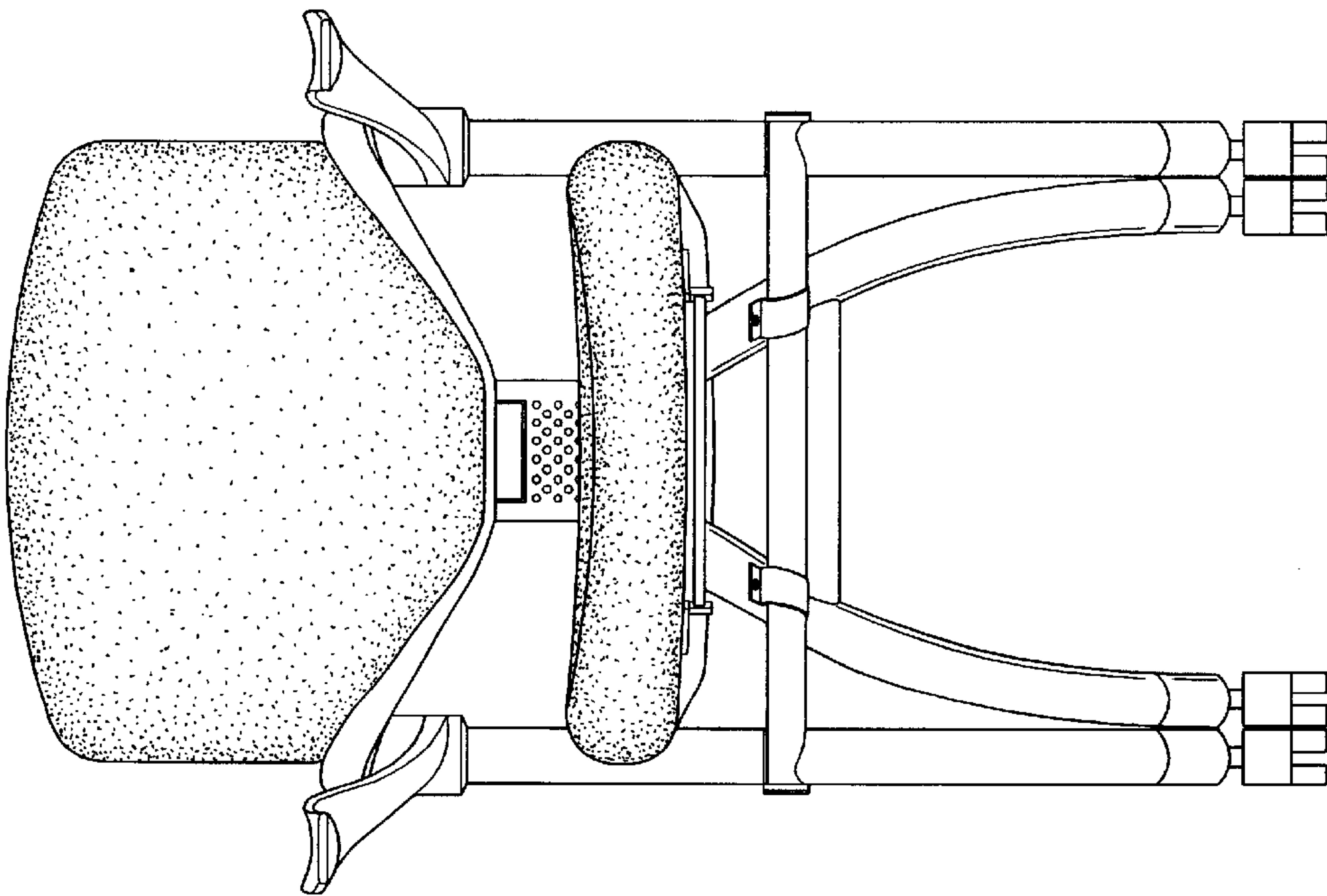


FIG. 2

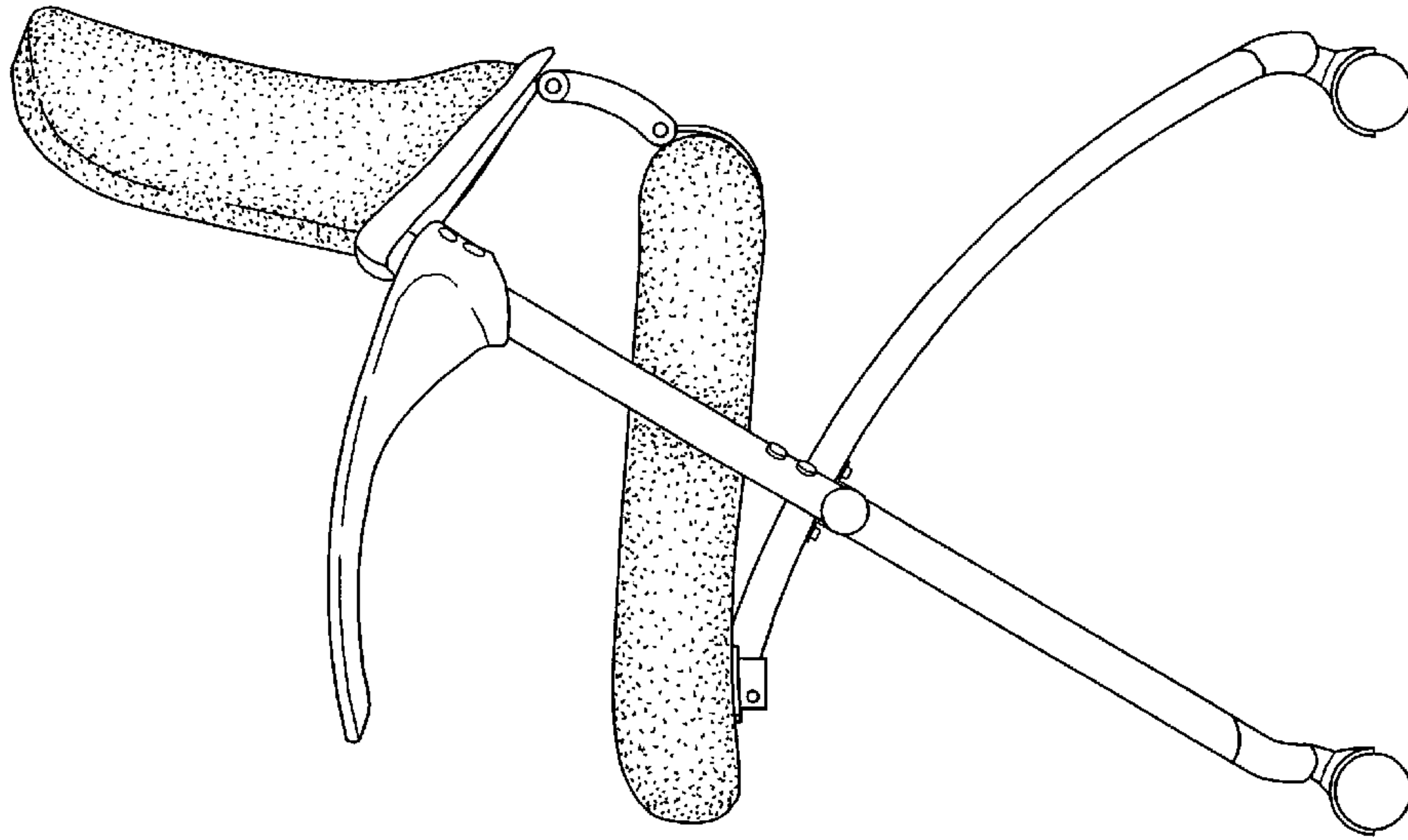


FIG. 4

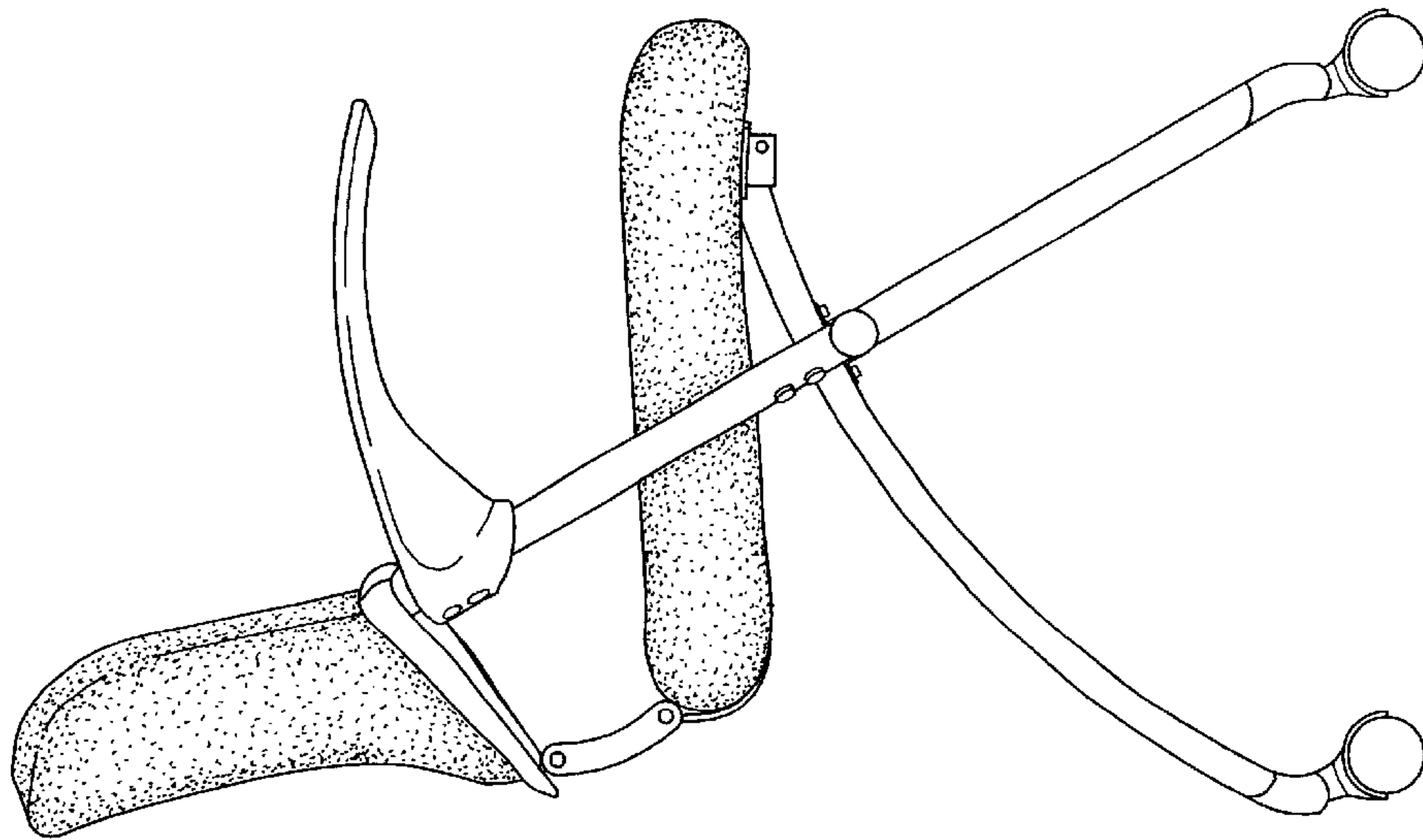


FIG. 3

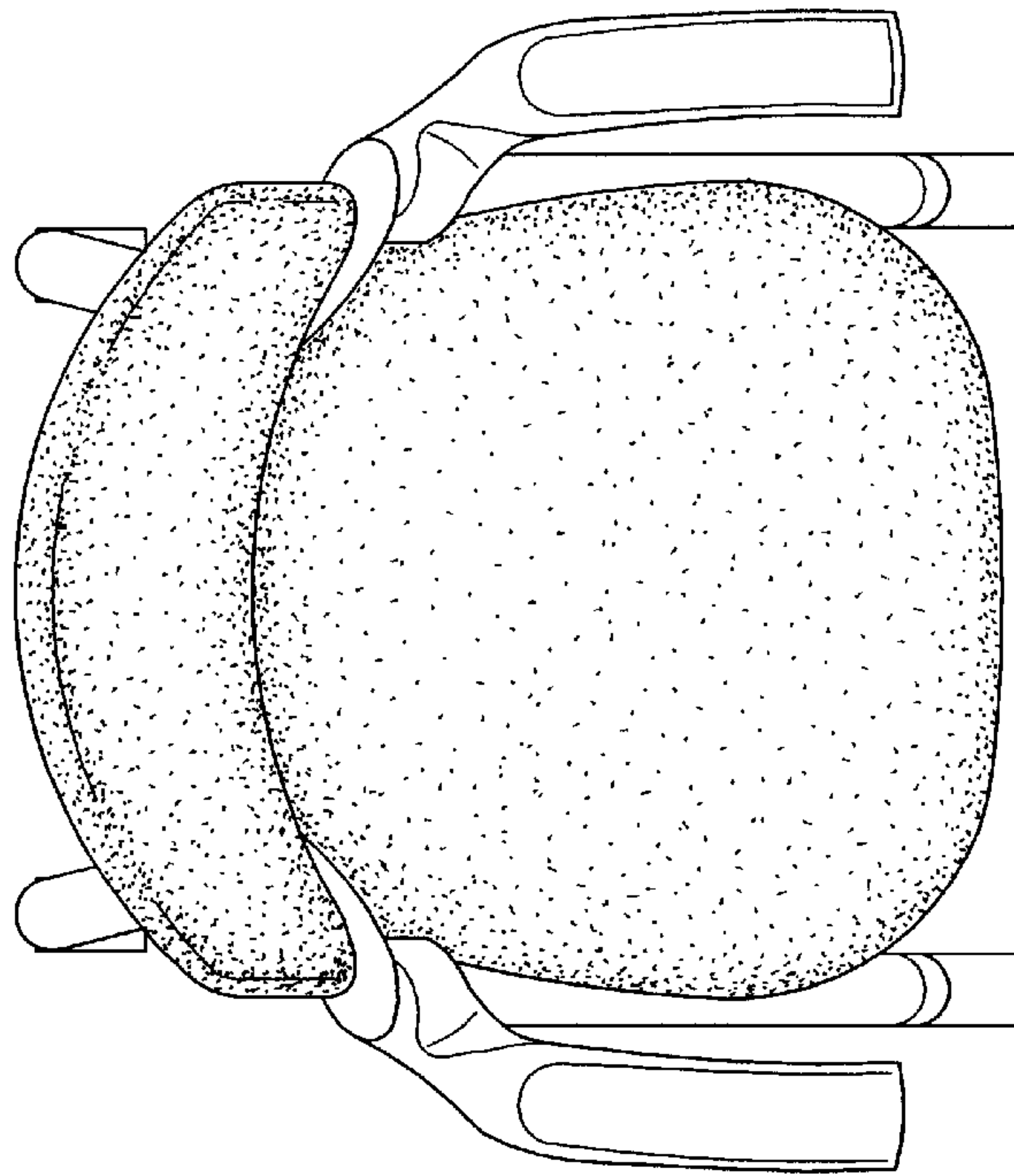


FIG. 5

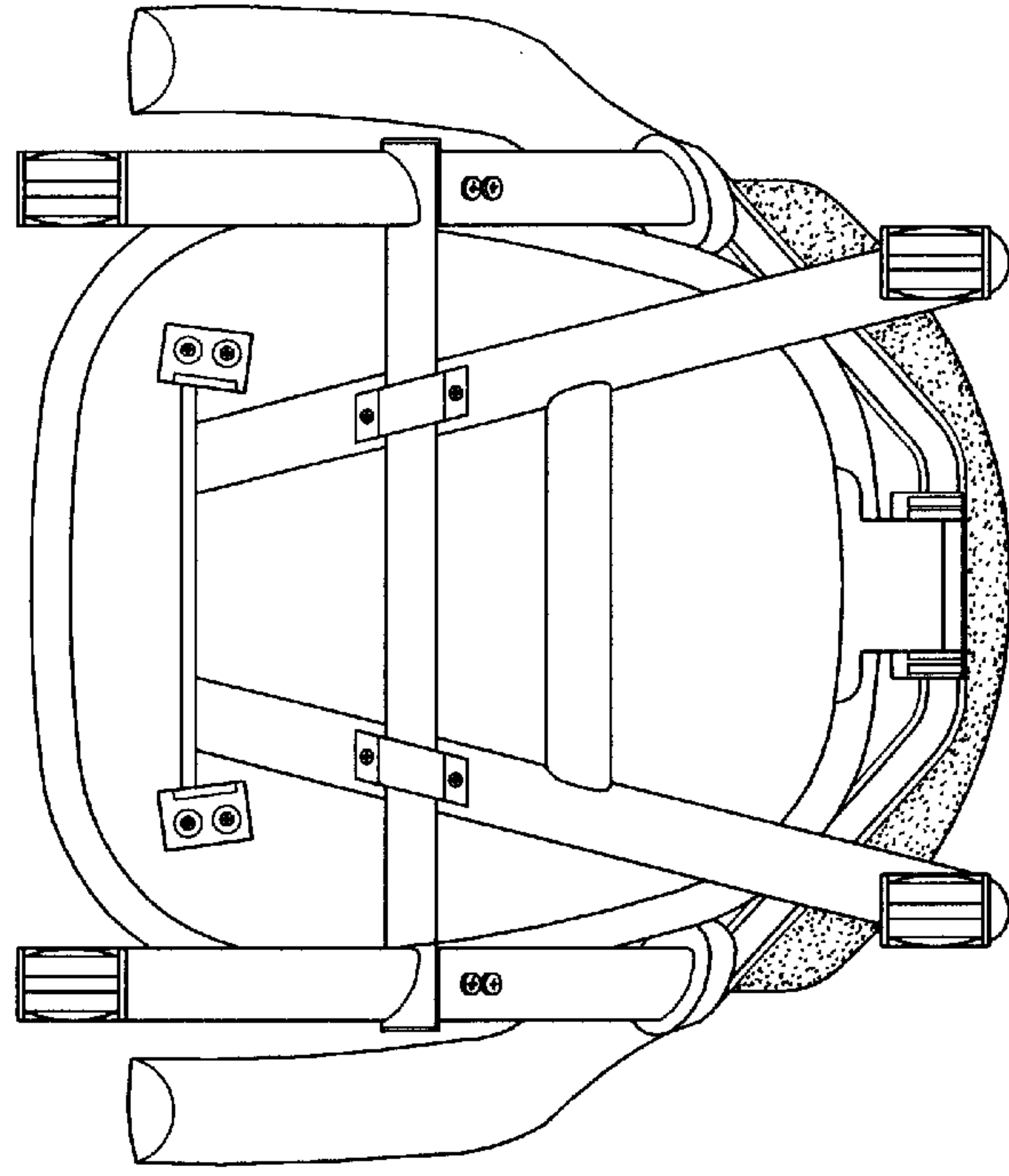


FIG. 6

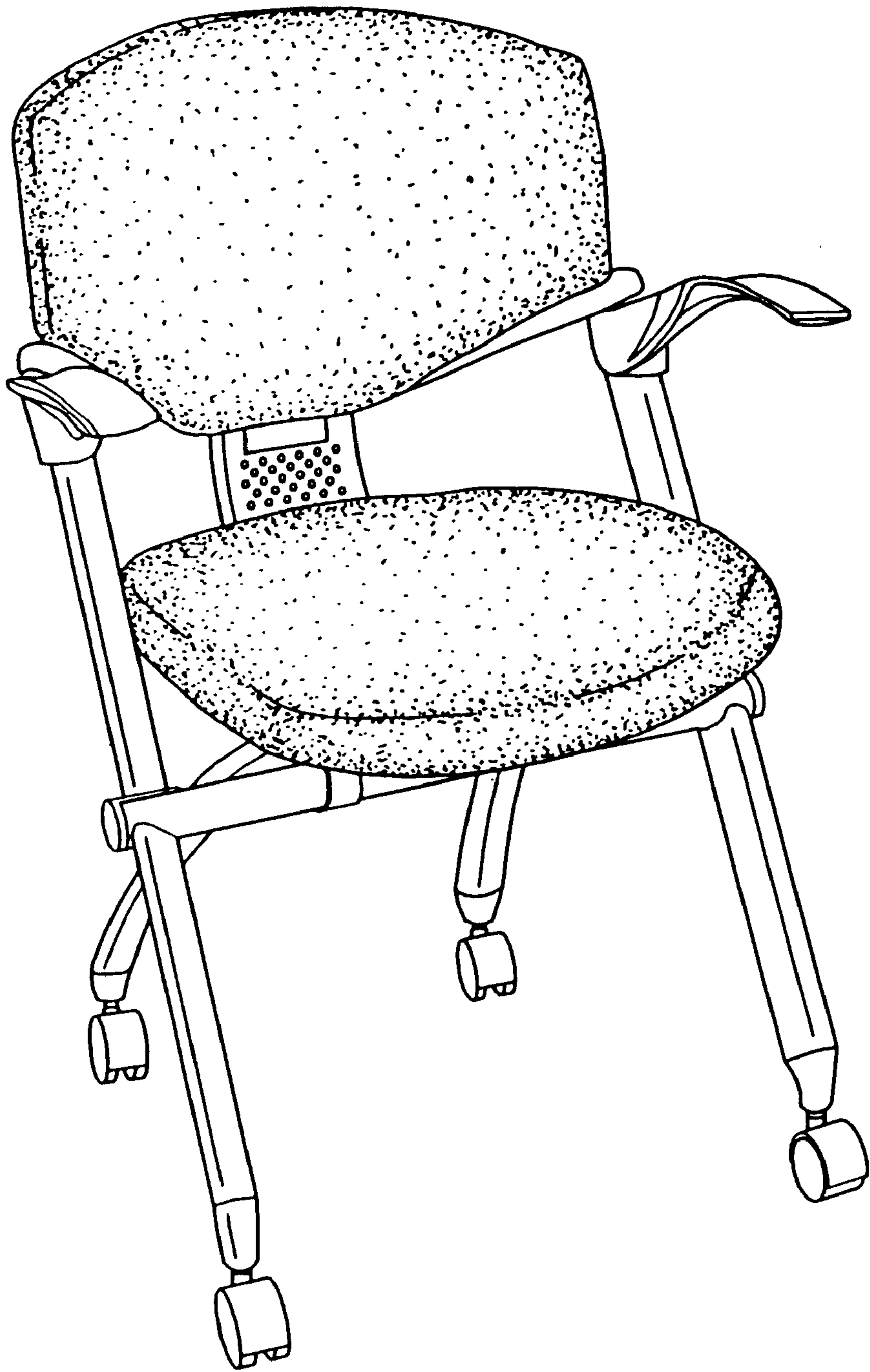


FIG. 7