



US00D476494S

(12) **United States Design Patent**  
**Hecht et al.**

(10) **Patent No.:** **US D476,494 S**

(45) **Date of Patent:** **\*\* Jul. 1, 2003**

(54) **CHAIR**

(75) Inventors: **Thomas R. Hecht**, Manheim, PA (US);  
**Howard F. Livingston**, Lancaster, PA (US)

(73) Assignee: **Home Gardener Manufacturing Co.**, Lititz, PA (US)

(\*\*) Term: **14 Years**

(21) Appl. No.: **29/155,733**

(22) Filed: **Feb. 19, 2002**

**Related U.S. Application Data**

(62) Division of application No. 29/137,154, filed on Feb. 15, 2001, now Pat. No. Des. 458,475.

(51) **LOC (7) Cl.** ..... **06-01**

(52) **U.S. Cl.** ..... **D6/370**

(58) **Field of Search** ..... D6/334, 370, 374,  
D6/376, 379, 380, 381, 492, 500, 501,  
502; 297/445.1, 446.1, 452.63

(56) **References Cited**

**U.S. PATENT DOCUMENTS**

D137,587 S \* 4/1944 Harasty ..... D6/370

D222,453 S \* 10/1971 Ziss et al. .... D6/370  
D325,304 S \* 4/1992 Grosfillex ..... D6/370  
D366,774 S \* 2/1996 Frinier ..... D6/370  
D399,667 S \* 10/1998 Muller ..... D6/370  
D420,825 S \* 2/2000 Lin ..... D6/370  
D425,718 S \* 5/2000 van Valderen ..... D6/370  
D458,475 S \* 6/2002 Hecht et al. .... D6/492

\* cited by examiner

*Primary Examiner*—Gary D. Watson

(74) *Attorney, Agent, or Firm*—Dykema Gossett PLLC

(57) **CLAIM**

The ornamental design for a chair, as shown and described.

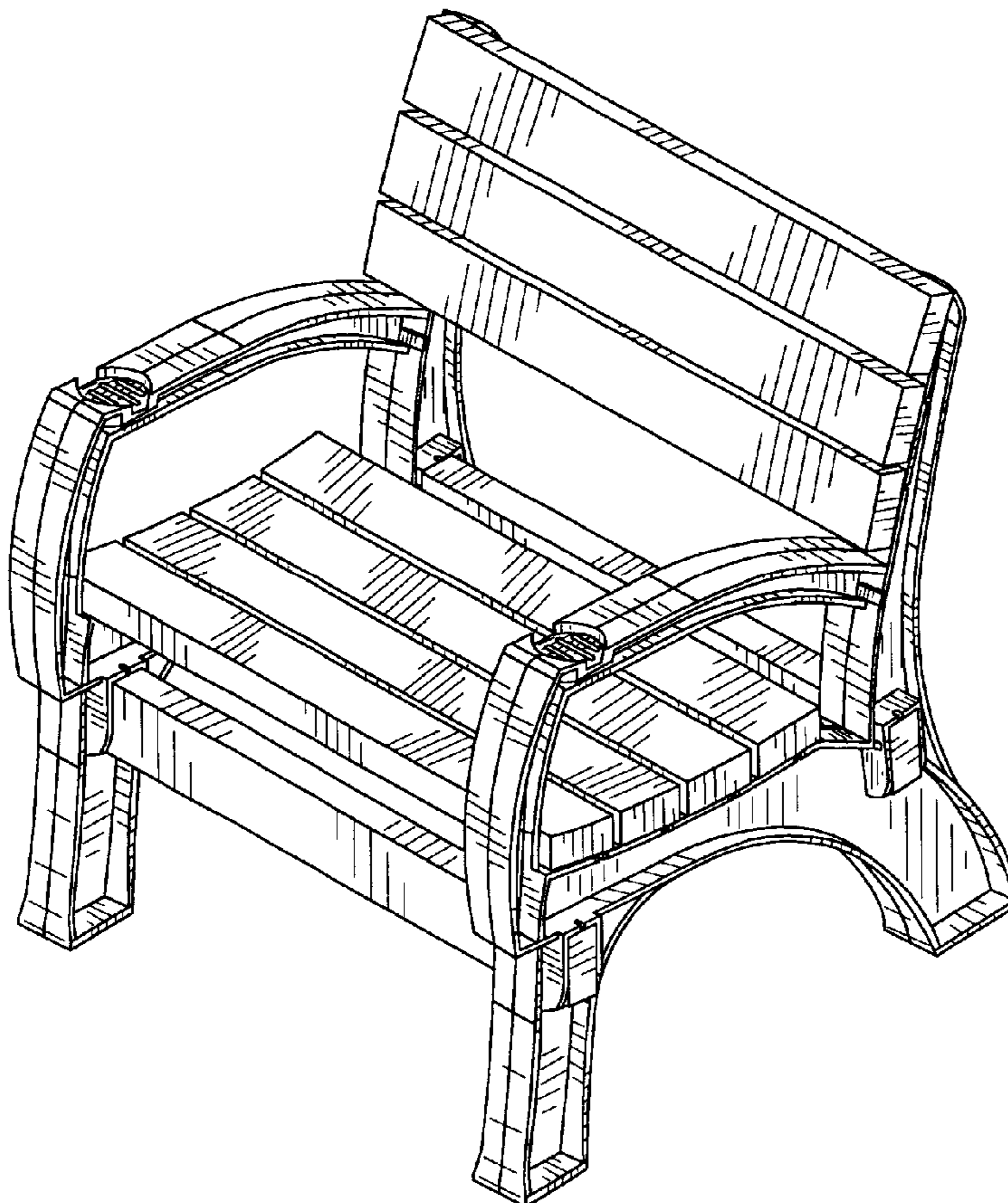
**DESCRIPTION**

FIG. 1 is a front perspective view of a chair, showing our new and ornamental design,

FIG. 2 is a rear perspective view thereof; and,

FIG. 3 is a side elevational view thereof, the opposite side being a mirror image.

**1 Claim, 1 Drawing Sheet**



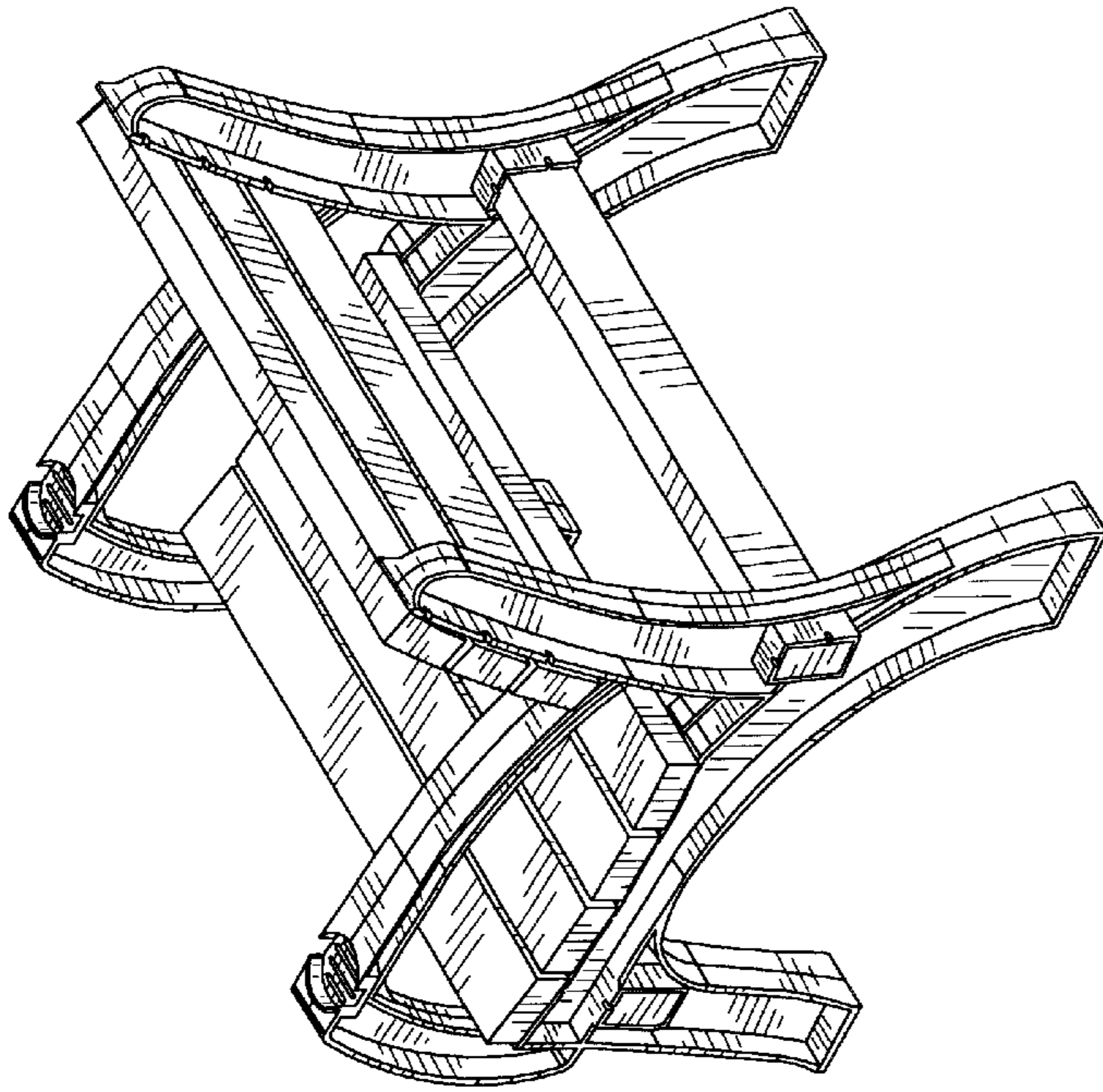


FIG. 1

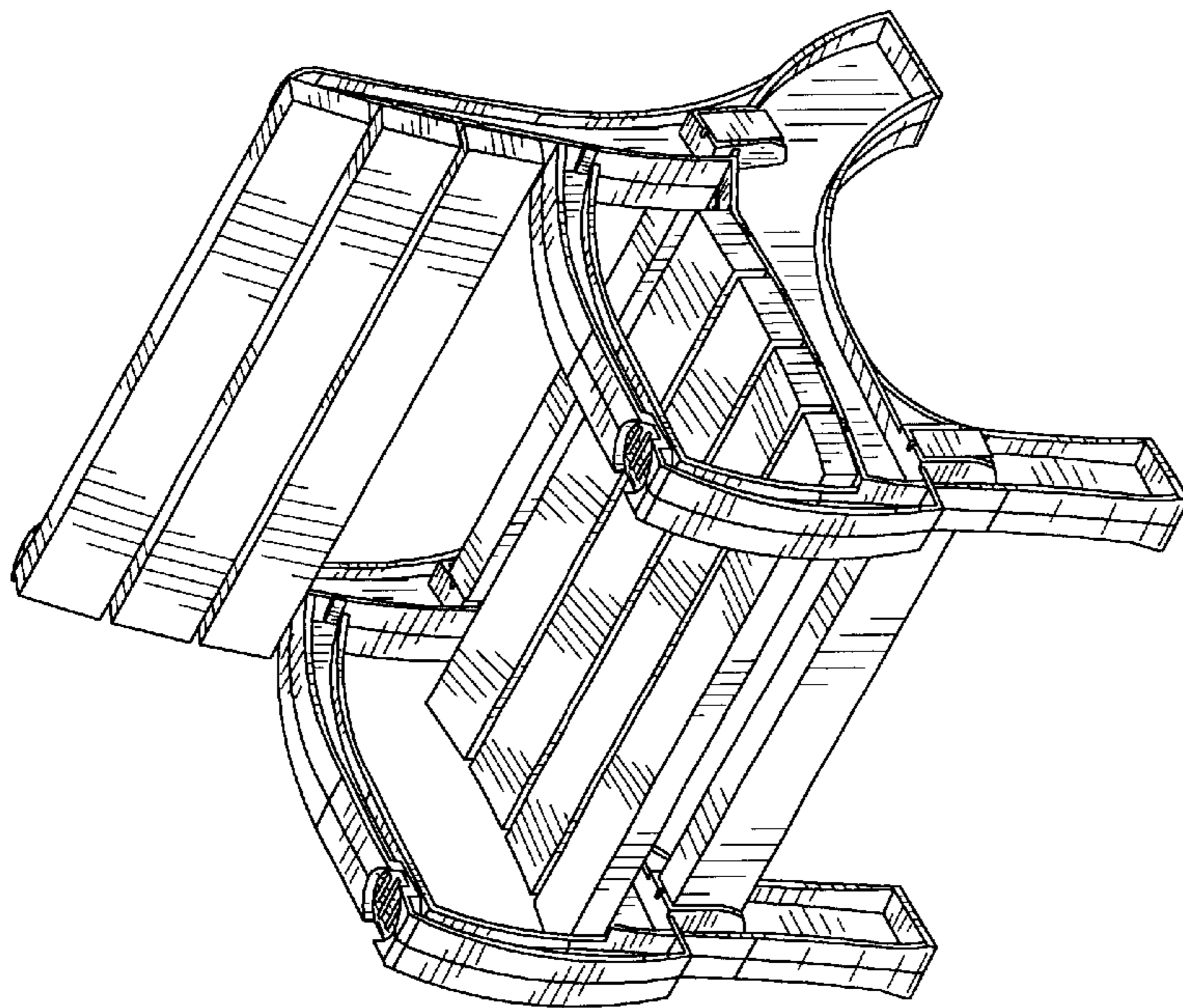


FIG. 2

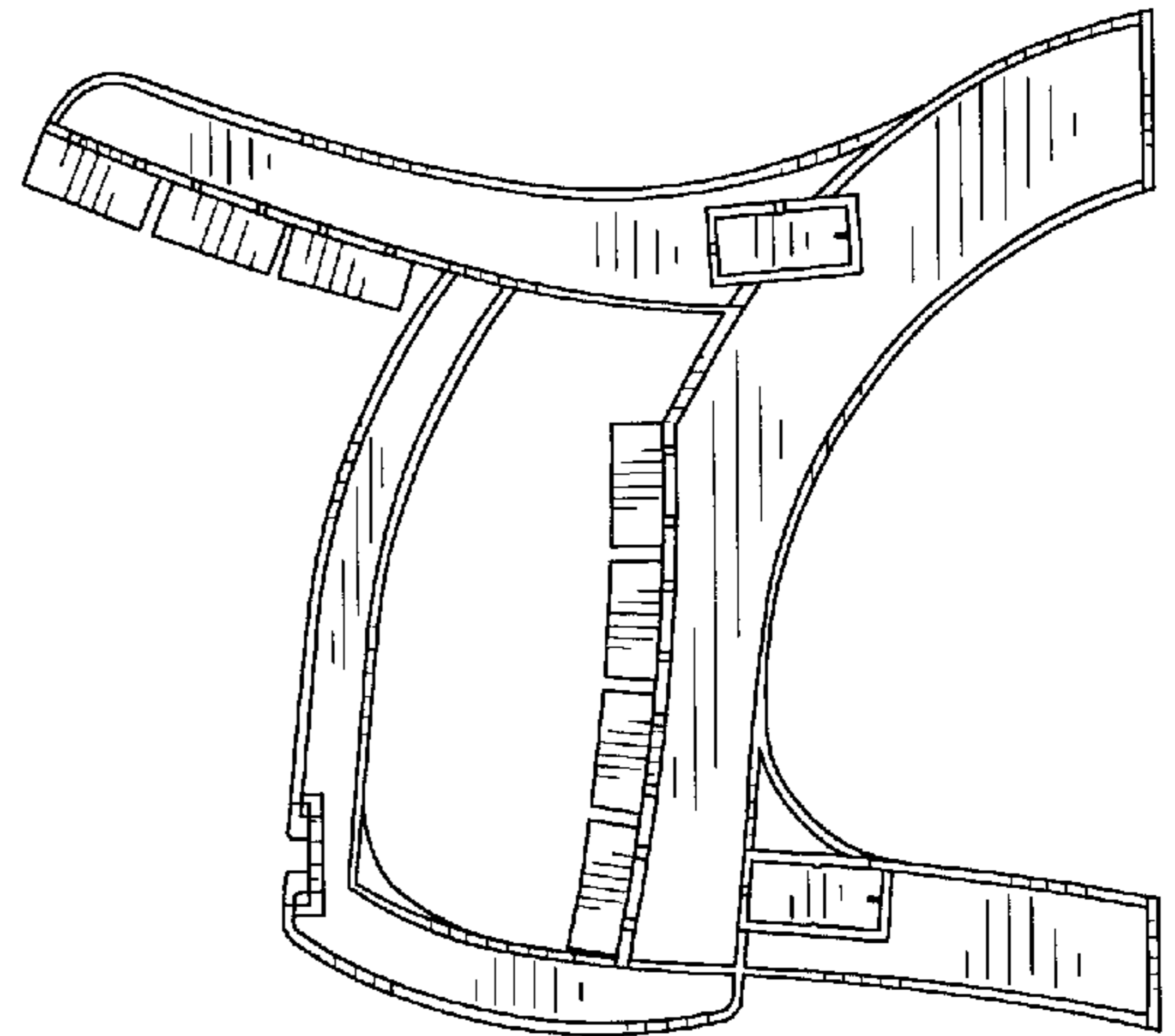


FIG. 3