



US00D476493S

(12) **United States Design Patent**
Nagamitsu

(10) **Patent No.: US D476,493 S**

(45) **Date of Patent: ** *Jul. 1, 2003**

(54) **CHAIR**

(75) Inventor: **Satoshi Nagamitsu**, Higashiyamoto (JP)

(73) Assignee: **Okamura Corporation**, Kanagawa-ken (JP)

(*) Notice: This patent is subject to a terminal disclaimer.

(**) Term: **14 Years**

(21) Appl. No.: **29/140,830**

(22) Filed: **Apr. 24, 2001**

(30) **Foreign Application Priority Data**

Nov. 1, 2000 (JP) 2000-031200

(51) **LOC (7) Cl.** **06-01**

(52) **U.S. Cl.** **D6/366**

(58) **Field of Search** D6/334, 364, 365,
D6/366, 367, 500, 501, 502; 297/411.2,
411.27, 411.36

(56) **References Cited**

U.S. PATENT DOCUMENTS

D312,536 S	*	12/1990	Muller-Deisig et al.	D6/366
D337,666 S		7/1993	Peterson et al.	D6/366
D349,621 S		8/1994	Wilson	D6/501
D354,178 S		1/1995	Ochsner	D6/366
D355,303 S		2/1995	Scheper et al.	D6/366
D357,130 S	*	4/1995	Schultz	D6/366
5,405,190 A		4/1995	Jeffcoat et al.	297/391
D358,064 S		5/1995	Larkin	D6/366
D358,944 S		6/1995	Citterio	D6/366
5,452,939 A		9/1995	Kupisz et al.	297/391
D363,383 S	*	10/1995	Cronk	D6/366
D367,980 S		3/1996	Hodge et al.	D6/500
D372,799 S		8/1996	Orians et al.	D6/366
D373,695 S	*	9/1996	Buffon	D6/500
D379,408 S		5/1997	Feldberg	D6/366

D379,567 S		6/1997	Grivet	D6/500
D395,762 S		7/1998	Saul	D6/366
D397,258 S	*	8/1998	Heyder et al.	D6/366
D403,520 S	*	1/1999	Wilson	D6/366
D407,576 S		4/1999	Ritch et al.	D6/500
D408,181 S		4/1999	Ginat	D6/500
D410,151 S	*	5/1999	Chu	D6/366
D411,063 S		6/1999	Ginat	D6/500

(List continued on next page.)

OTHER PUBLICATIONS

Adjustable headrest, B, p. 7, Modern Office catalog, 5-97. Satoshi Nagamitsu, Chair, Design Patent Application, Serial No. 29/122,832, Filed May 4, 2000, (10 pages).

Primary Examiner—Gary D. Watson

(74) *Attorney, Agent, or Firm*—Henricks, Slavin & Holmes LLP

(57) **CLAIM**

The ornamental design for a chair, as shown and described.

DESCRIPTION

This application is related to concurrently filed design applications, Ser. Nos., 29/140,827 and 29/140,828.

FIG. 1 is a front elevational view of a chair showing my new design;

FIG. 2 is a top plan view thereof;

FIG. 3 is a rear elevational view thereof;

FIG. 4 is a bottom plan view thereof;

FIG. 5 is a right side elevational view thereof;

FIG. 6 is a vertical sectional right side view taken along the line 6-6 FIG. 1;

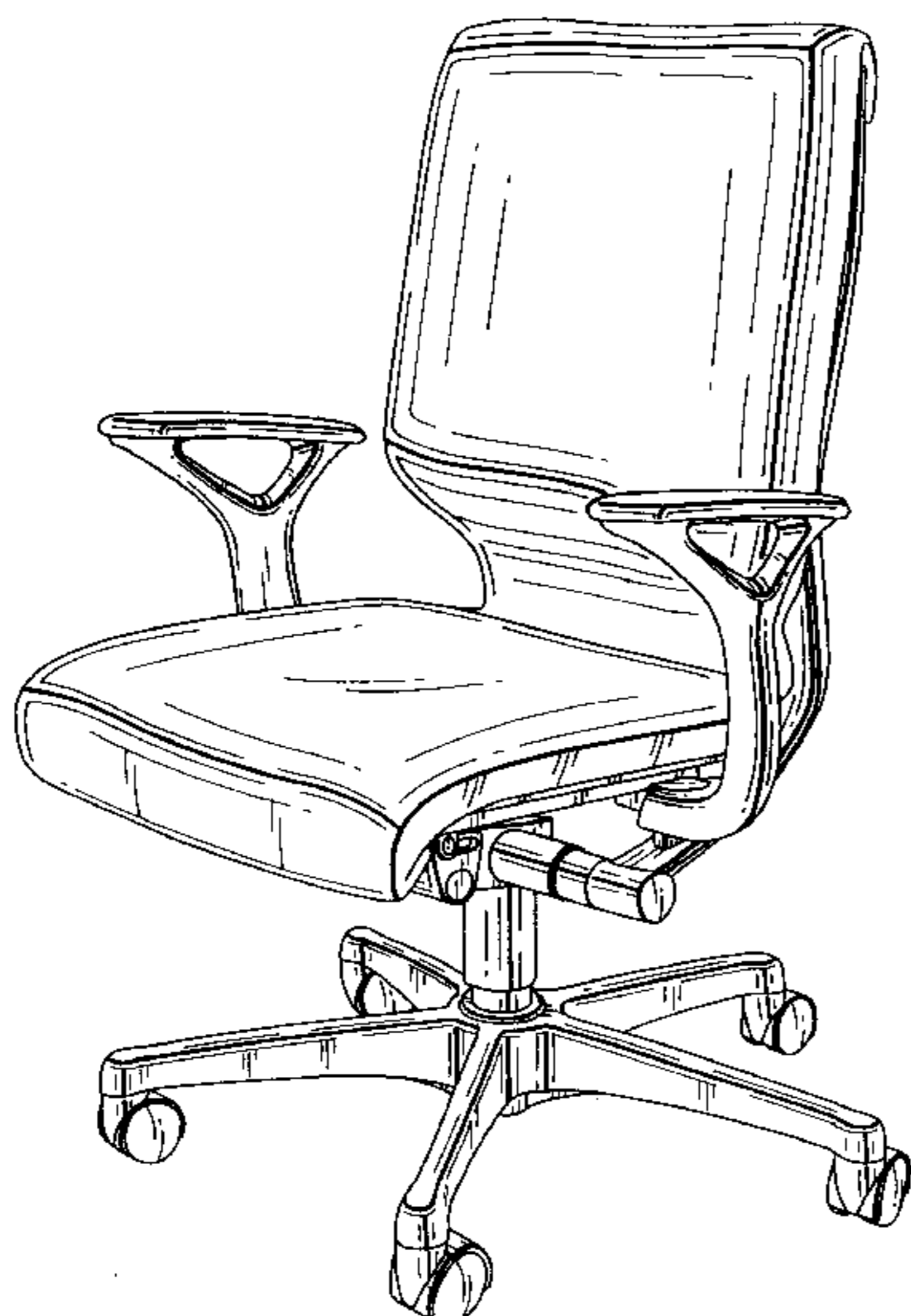
FIG. 7 is a horizontal sectional plan view taken along the line 7-7 in FIG. 1;

FIG. 8 is a vertical sectional front view taken along the line 8-8 in FIG. 2;

FIG. 9 is a front perspective view of the chair; and,

FIG. 10 is a rear perspective view thereof.

1 Claim, 6 Drawing Sheets



US D476,493 S

Page 2

U.S. PATENT DOCUMENTS

5,934,755 A	8/1999	Halamish	297/410	6,086,153 A	7/2000	Heidmann et al.	297/300.1
D414,349 S	9/1999	Jenkins et al.	D6/366	D429,422 S	* 8/2000	De Lucchi et al.	D6/366
D417,101 S	11/1999	DeSanta et al.	D6/500	D434,575 S	* 12/2000	Deacon	D6/366
D417,102 S	11/1999	Vanderwood et al.	D6/500	D436,259 S	1/2001	Nagamitsu	D6/366
D417,792 S	12/1999	Hansen et al.	D6/366	D436,260 S	1/2001	Nagamitsu	D6/366
D418,316 S	1/2000	Vogtherr	D6/366	D436,768 S	* 1/2001	Jenkins et al.	D6/500
D421,861 S	3/2000	Ginat	D6/500	D437,132 S	2/2001	Nagamitsu	D6/366
D422,802 S	4/2000	Deacon	D6/366	D444,309 S	* 7/2001	Nagamitsu	D6/366
6,074,010 A	6/2000	Takeda	297/391	D445,613 S	* 7/2001	Ginat	D6/500
6,076,892 A	6/2000	van Hekken et al. ...	297/411.35	6,296,312 B1	* 10/2001	Congleton et al.	297/411.36

* cited by examiner

FIG.1

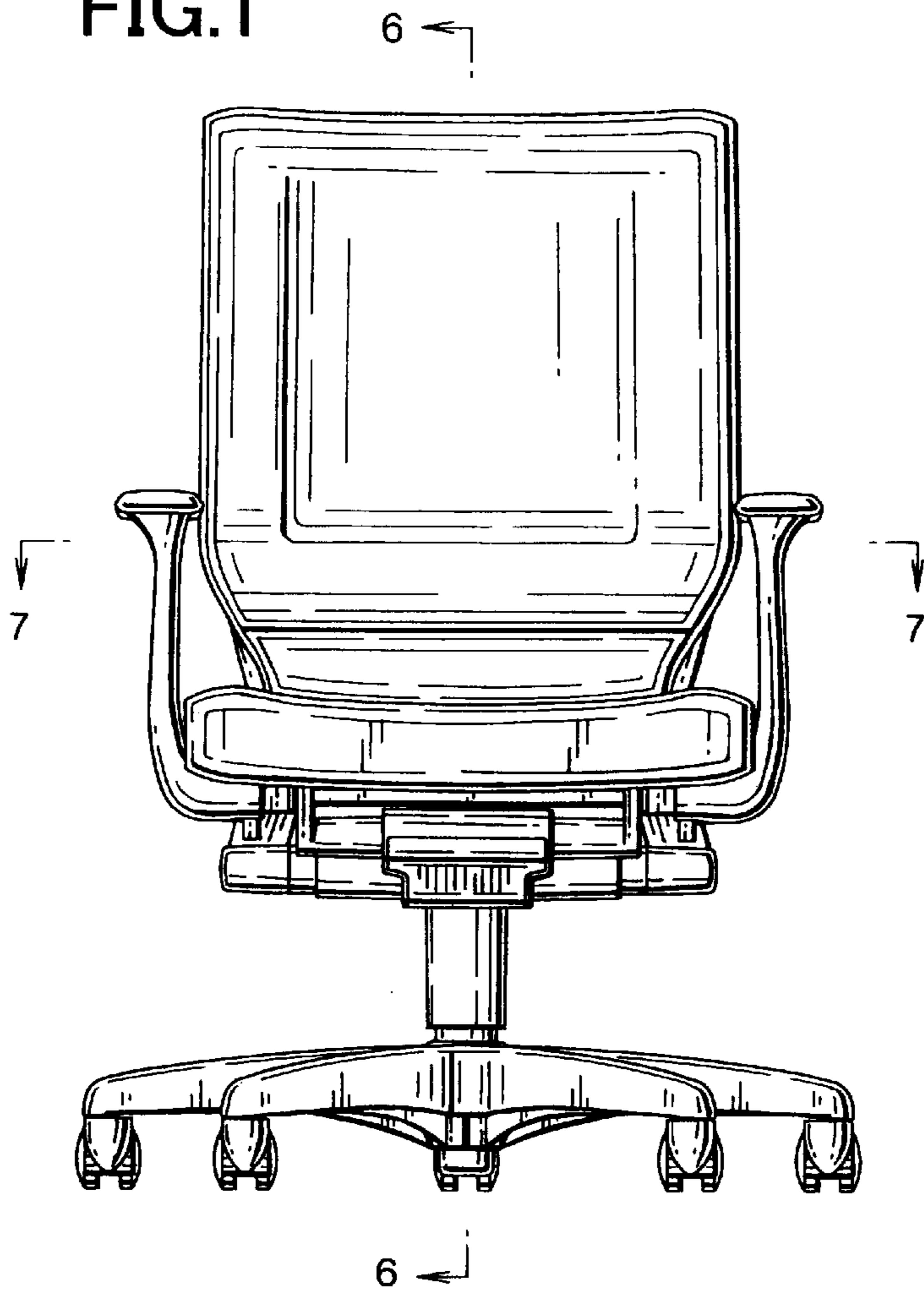


FIG.2

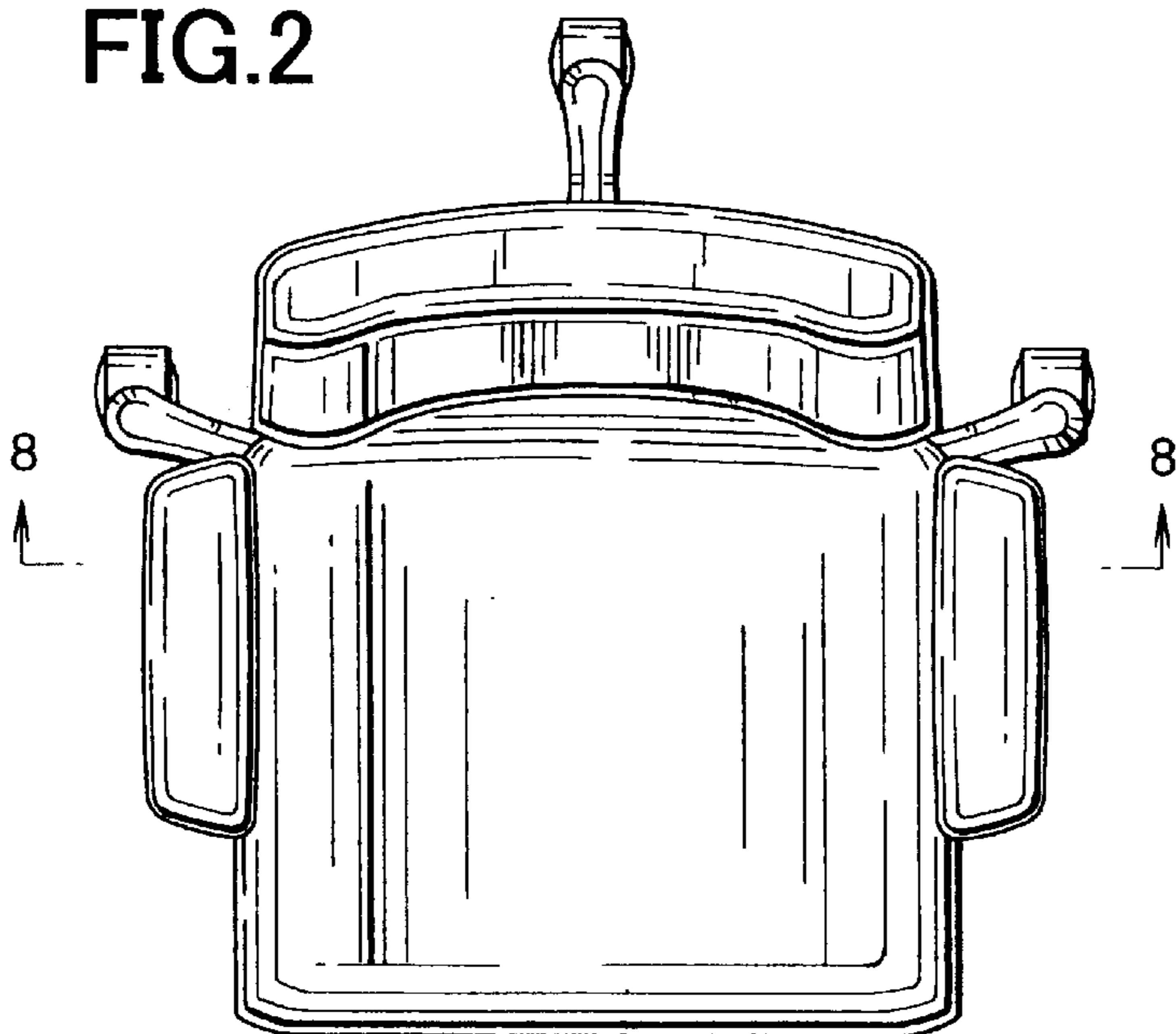


FIG.3

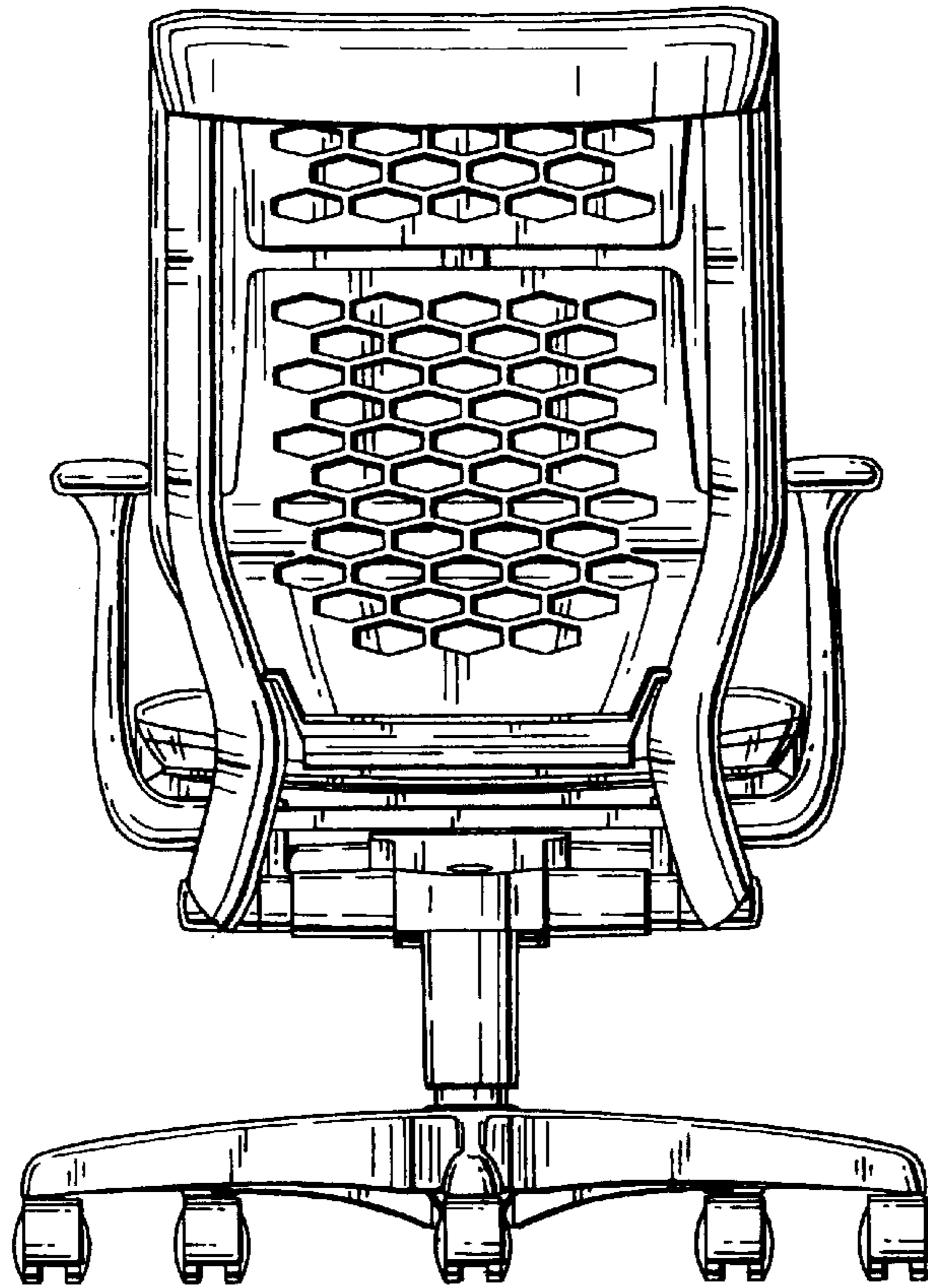


FIG.4

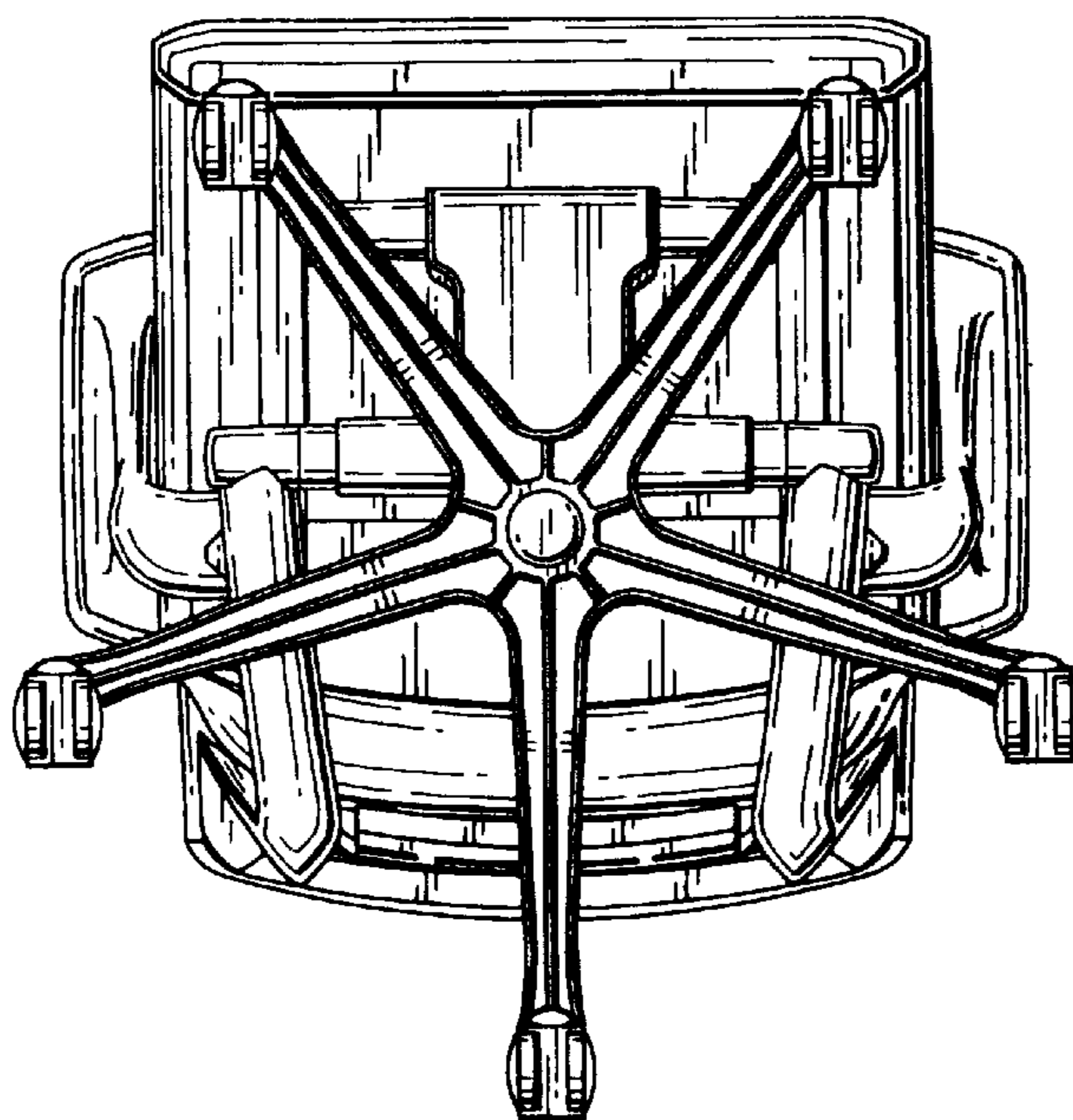


FIG.5

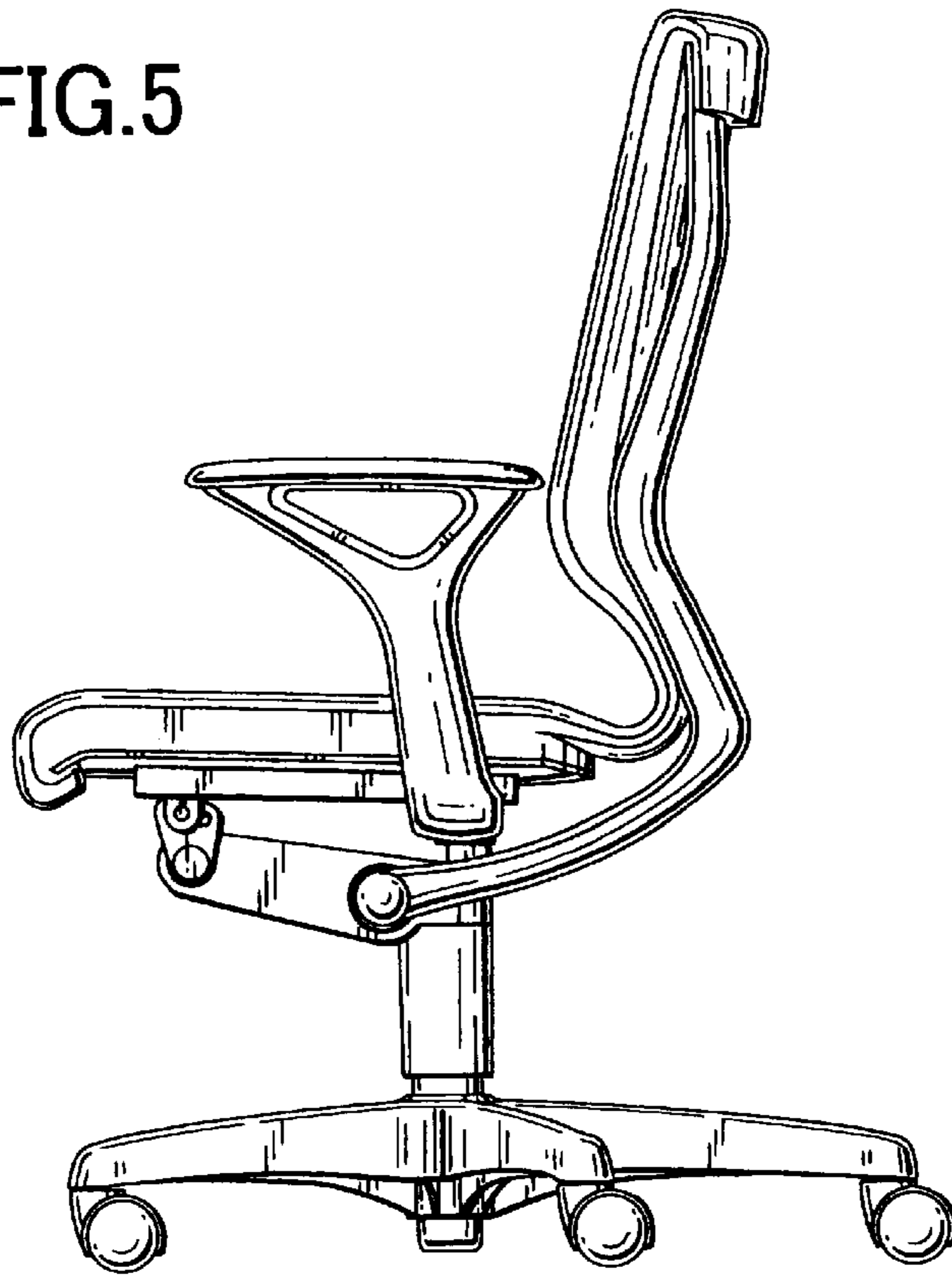


FIG.6

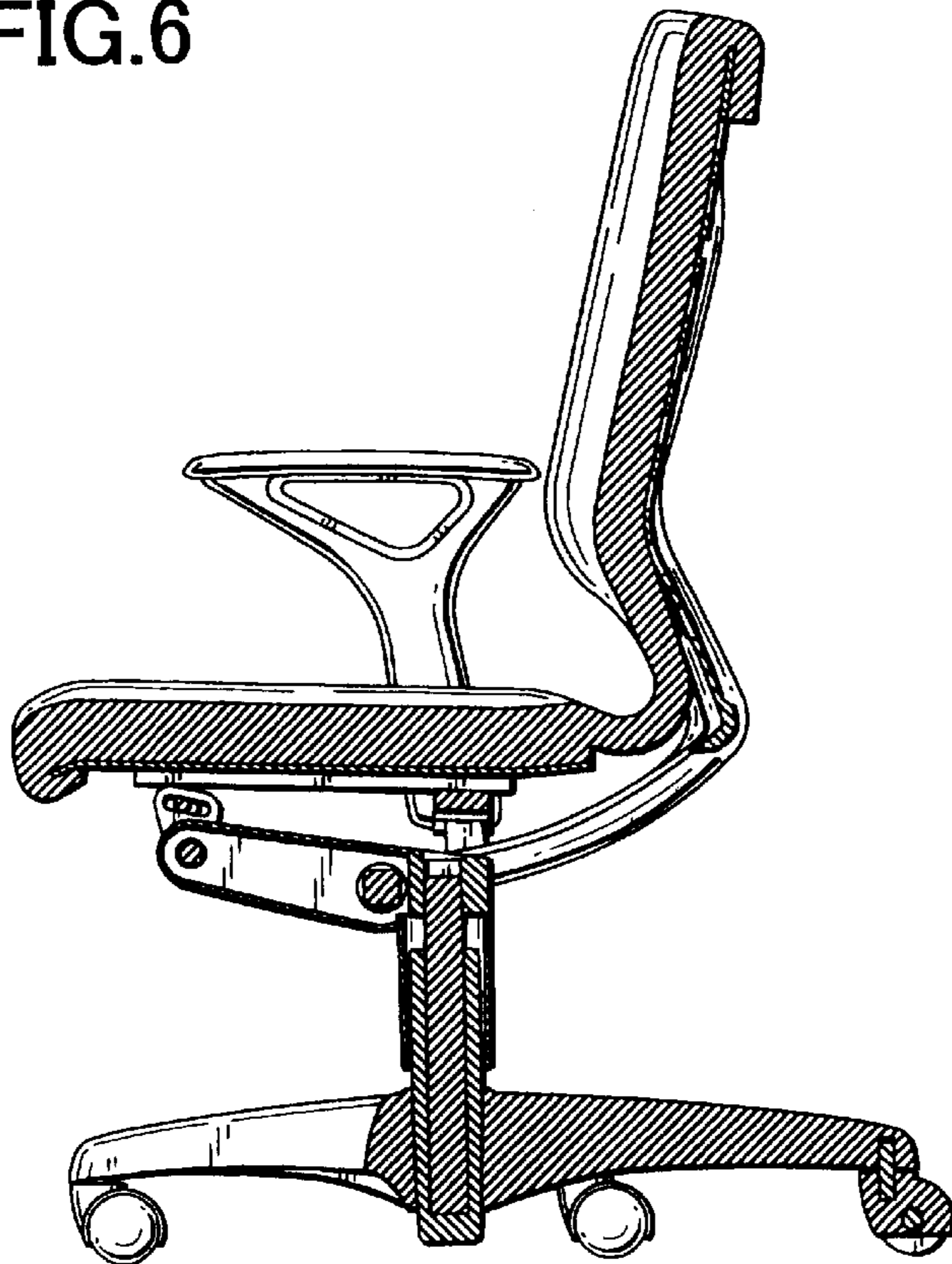


FIG.7

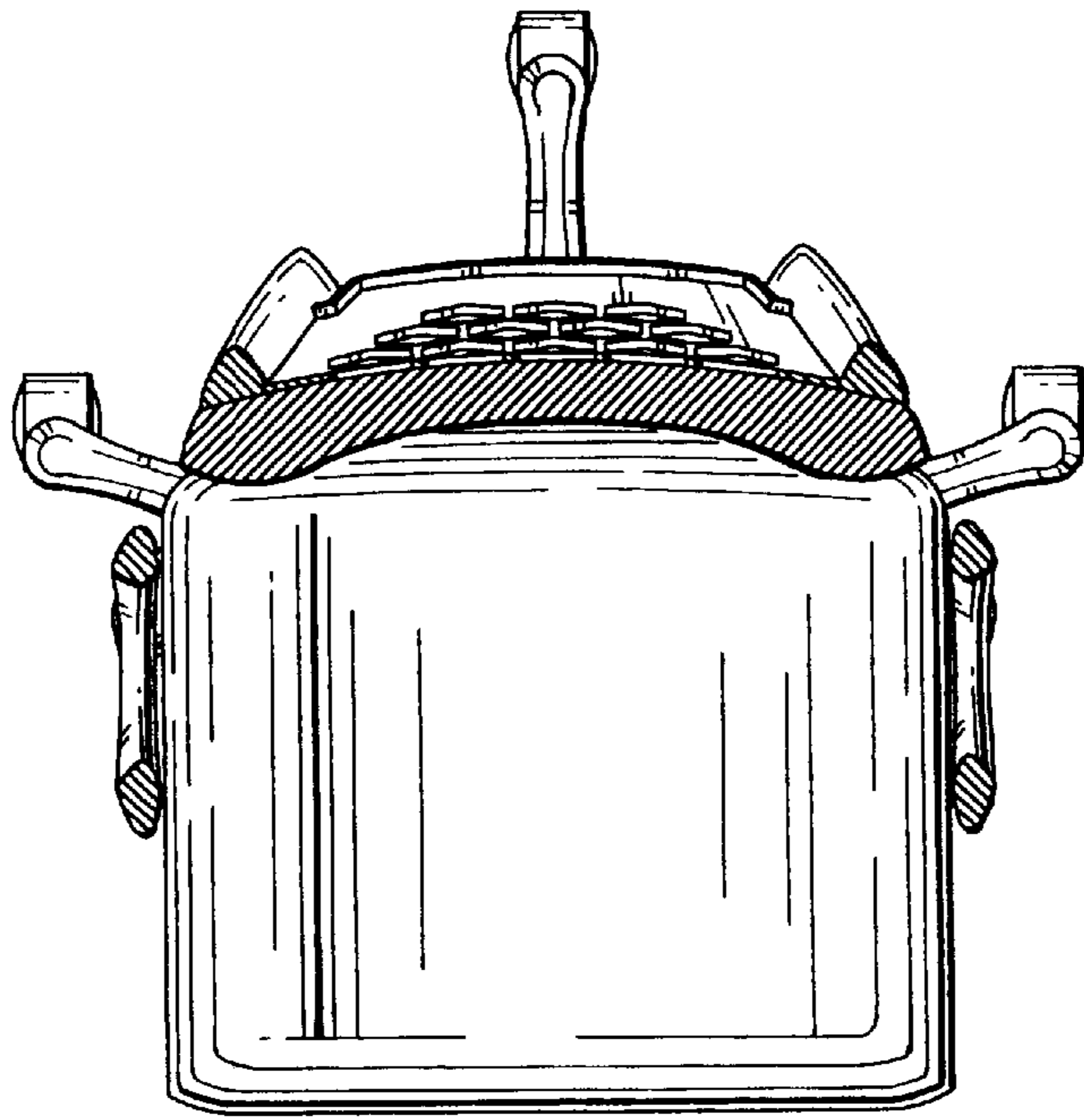


FIG.8

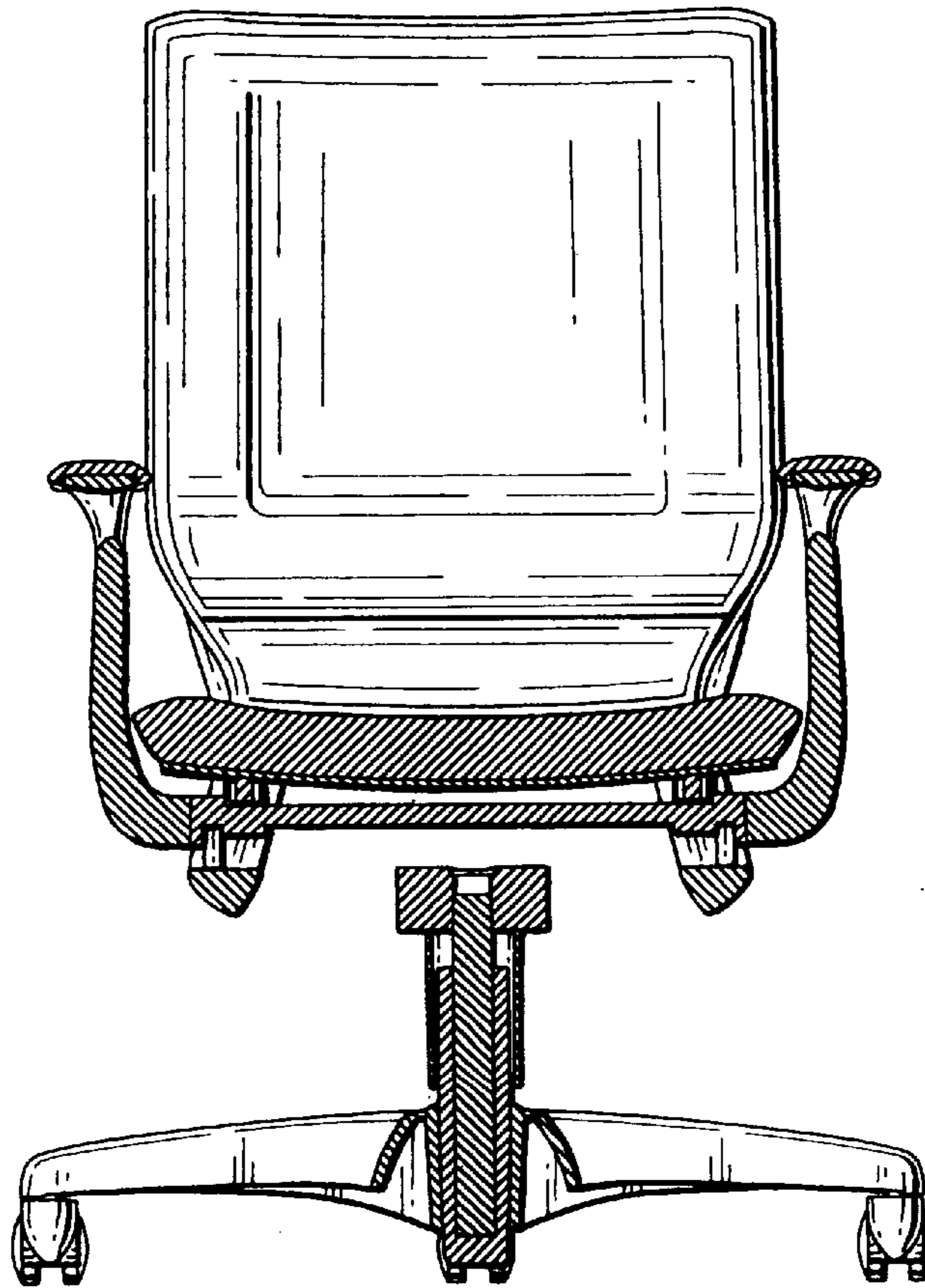


FIG. 9



FIG.10

