



US00D476492S

(12) **United States Design Patent** (10) **Patent No.:** **US D476,492 S**
Yamamoto et al. (45) **Date of Patent:** **** Jul. 1, 2003**

(54) **MESSAGE CHAIR**

(75) Inventors: **Hirohito Yamamoto**, Kyoto (JP);
Kichiro Miyata, Kyoto (JP); **Hisashi Miyaoaka**, Kyoto (JP)

(73) Assignee: **Omron Corporation**, Kyoto (JP)

(**) Term: **14 Years**

(21) Appl. No.: **29/164,097**

(22) Filed: **Jul. 19, 2002**

(30) **Foreign Application Priority Data**

Mar. 1, 2002 (JP) 2002-005444

(51) **LOC (7) Cl.** **06-01**

(52) **U.S. Cl.** **D6/335**

(58) **Field of Search** D6/334, 335, 360,
D6/364, 365, 367, 374, 375, 500-502;
297/85, 281, 411.45

(56) **References Cited**

U.S. PATENT DOCUMENTS

D405,282 S	*	2/1999	Desnoyers et al.	D6/365
D415,373 S	*	10/1999	Zaidman	D6/500
6,092,870 A	*	7/2000	Desnoyers et al.	297/281
D430,974 S	*	9/2000	Yang	D6/367
D456,621 S	*	5/2002	Antunes et al.	D6/335
D459,599 S	*	7/2002	Zaidman	D6/365
D463,173 S	*	9/2002	Chi	D6/500

* cited by examiner

Primary Examiner—Caron D. Veynar

Assistant Examiner—Mimosa De

(74) *Attorney, Agent, or Firm*—Dickstein Shapiro Morin & Oshinsky LLP

(57) **CLAIM**

The ornamental design for a massage chair, as shown and described.

DESCRIPTION

FIG. 1 is an enlarged front view showing our new design for a massage chair;

FIG. 2 is a rear view of the massage chair of FIG. 1;
 FIG. 3 is an enlarged top view of the massage chair of FIG. 1;
 FIG. 4 is a bottom view of the massage chair of FIG. 1;
 FIG. 5 is a right side view of the massage chair of FIG. 1;
 FIG. 6 is a left side view of the massage chair of FIG. 1;
 FIG. 7 is an enlarged first perspective view of the massage chair of FIG. 1;
 FIG. 8 is an enlarged second perspective view of the massage chair of FIG. 1;
 FIG. 9 is an enlarged third perspective view of the massage chair of FIG. 1 in which the upper cover of the back pad has been positioned over the back of the massage chair;
 FIG. 10 is a right side view of the massage chair of FIG. 1 in which the back of the massage chair is reclined;
 FIG. 11 is a fourth perspective view of the massage chair of FIG. 1 in which the back pad, the seat pad, and the elbow pads are removed;
 FIG. 12 is an expanded front view of the back pad of the massage chair of FIG. 1;
 FIG. 13 is an expanded rear view of the back pad of the massage chair of FIG. 1;
 FIG. 14 is an expanded top view of the back pad of the massage chair of FIG. 1;
 FIG. 15 is an expanded bottom view of the back pad of the massage chair of FIG. 1;
 FIG. 16 is an expanded right side view of the back pad of the massage chair of FIG. 1;
 FIG. 17 is an expanded bottom view of the seat pad of the massage chair of FIG. 1;
 FIG. 18 is an expanded top view of the seat pad of the massage chair of FIG. 1;
 FIG. 19 is an expanded bottom view of the seat pad of the massage chair of FIG. 1;
 FIG. 20 is an expanded right side view of the seat pad of the massage chair of FIG. 1;
 FIG. 21 is a cross-sectional view of the seat pad of the massage chair of FIG. 1 taken along line 21—21 of FIG. 18;
 FIG. 22 is a front view of the right side elbow pad of the massage chair of FIG. 1;
 FIG. 23 is a rear view of the right side elbow pad of the massage chair of FIG. 1;



FIG. 24 is a top view of the right side elbow pad of the massage chair of FIG. 1;

FIG. 25 is a bottom view of the right side elbow pad of the massage chair of FIG. 1;

FIG. 26 is a right side view of the right side elbow pad of the massage chair of FIG. 1; and,

FIG. 27 is a left side view of the right side elbow pad of the massage chair of FIG. 1.

FIGS. 12–27 are shown separately for clarity of illustration.

1 Claim, 14 Drawing Sheets

FIG. 1

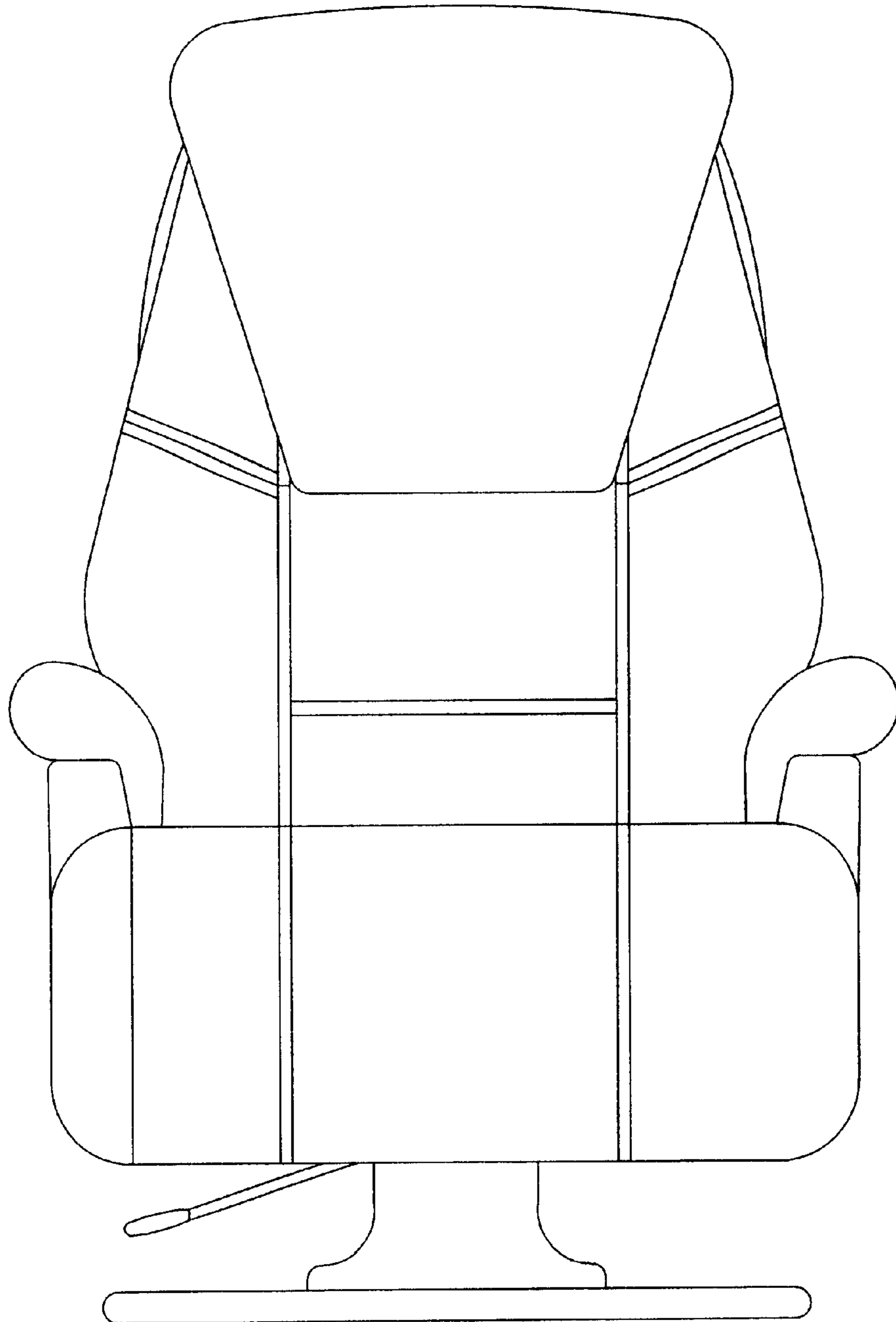


FIG. 2

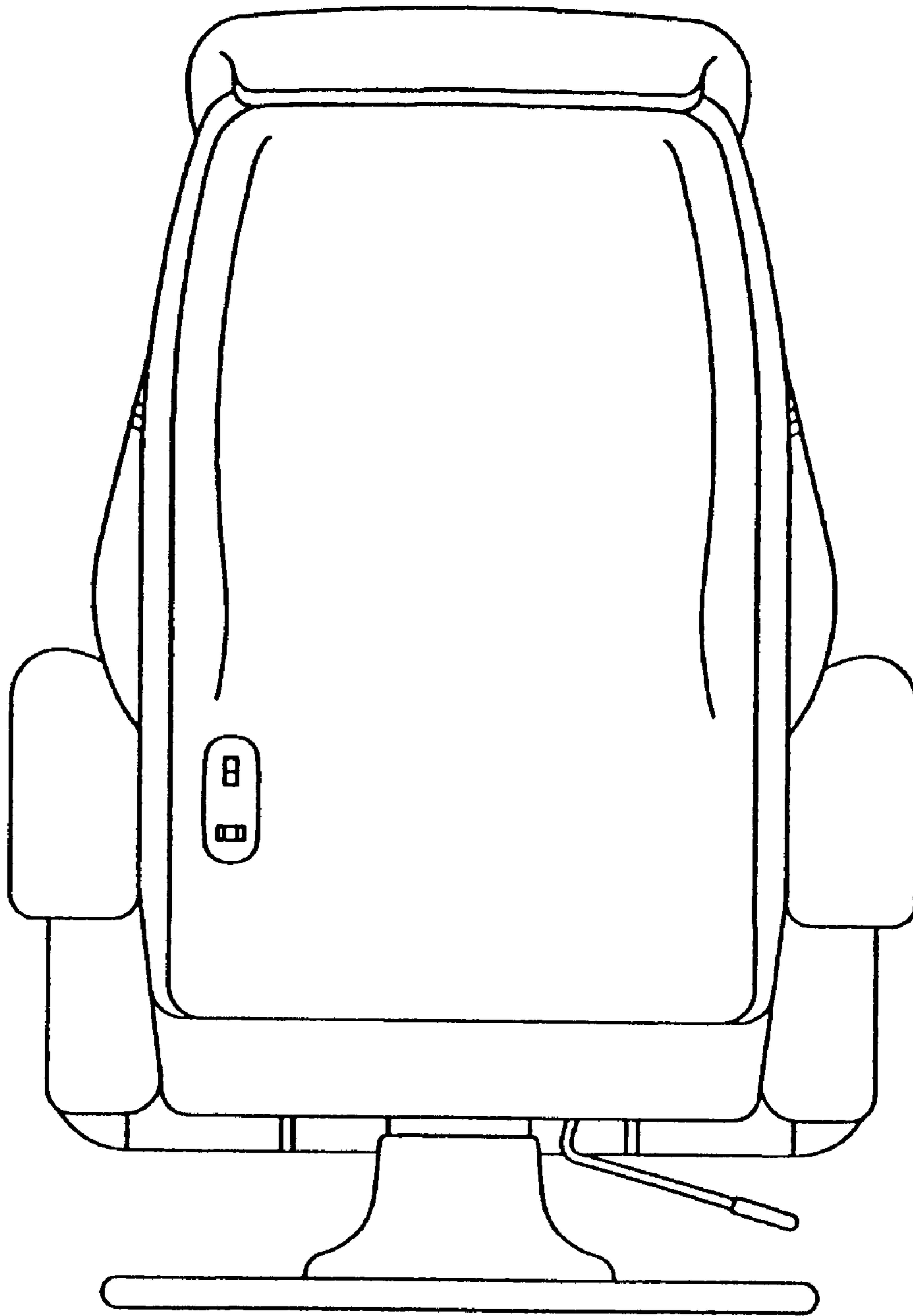


FIG. 3

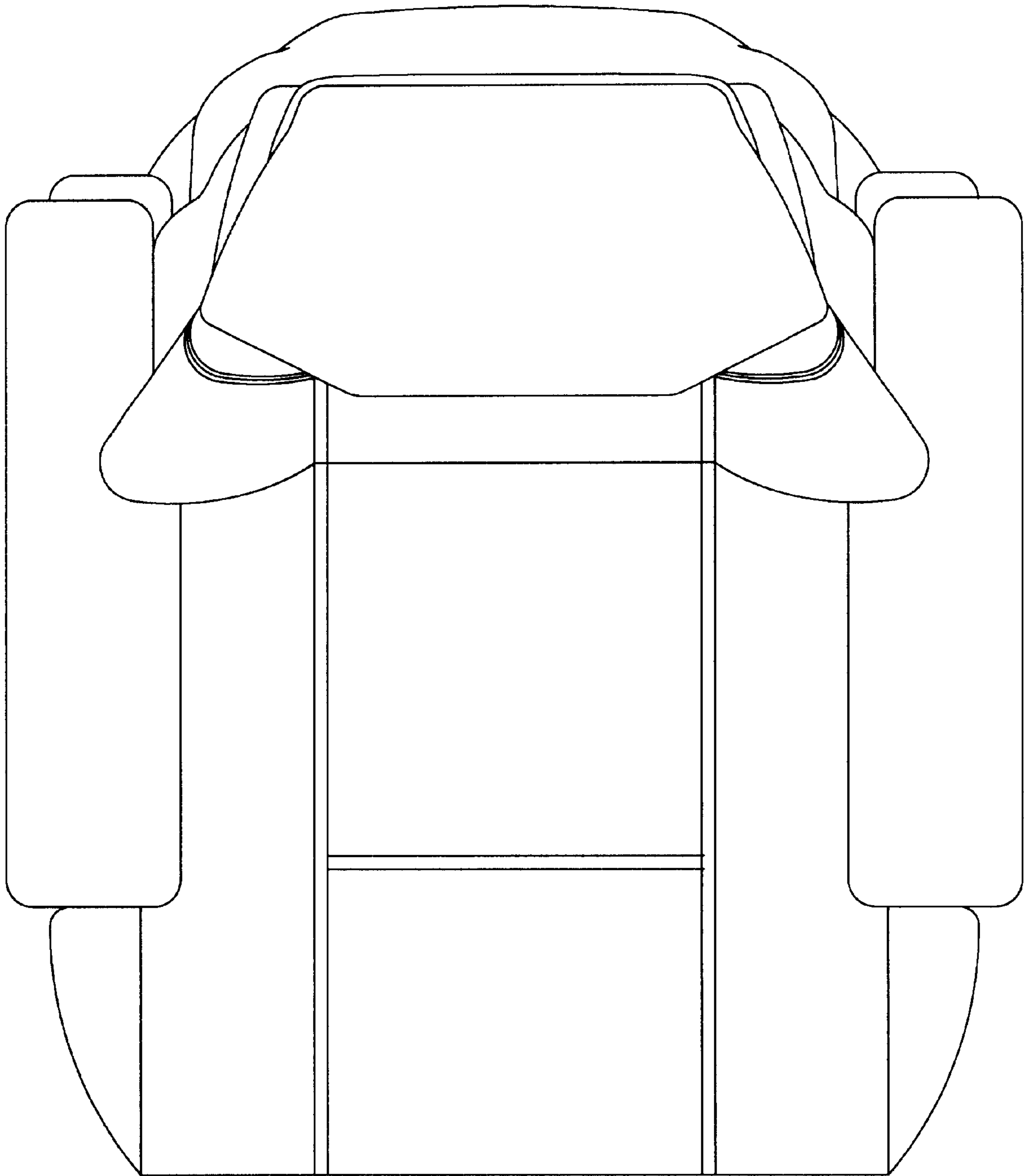


FIG. 4

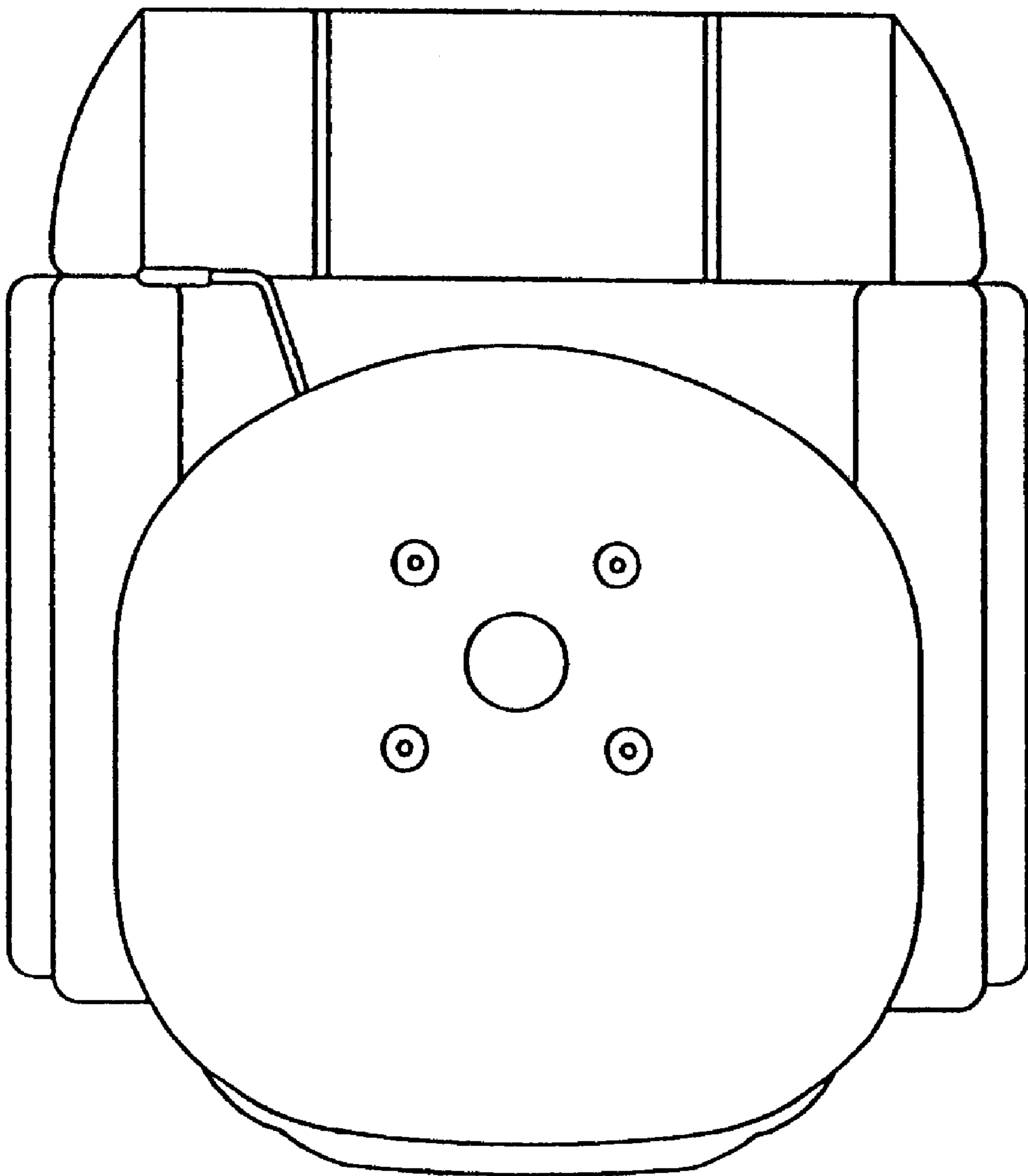


FIG. 5

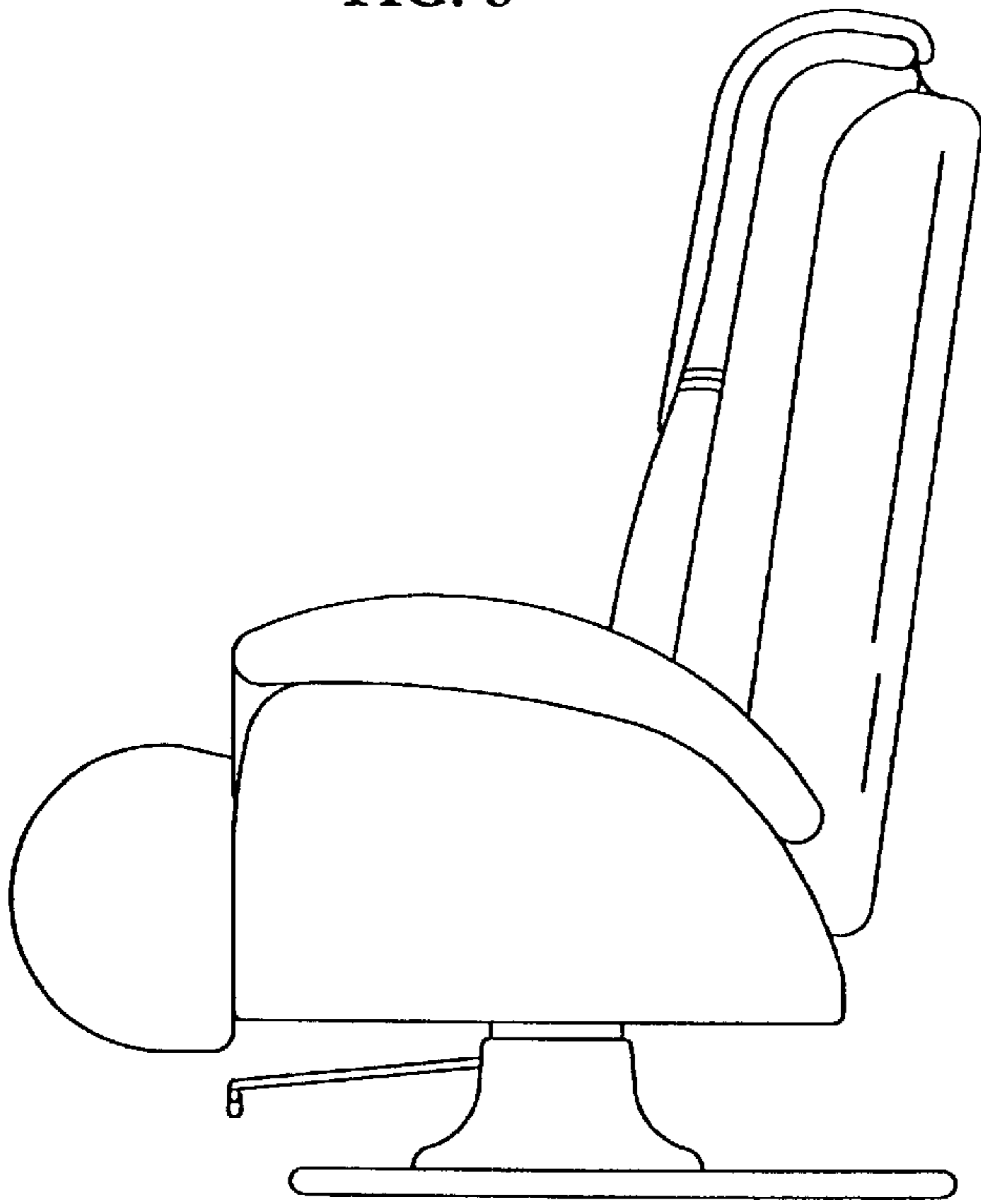


FIG. 6

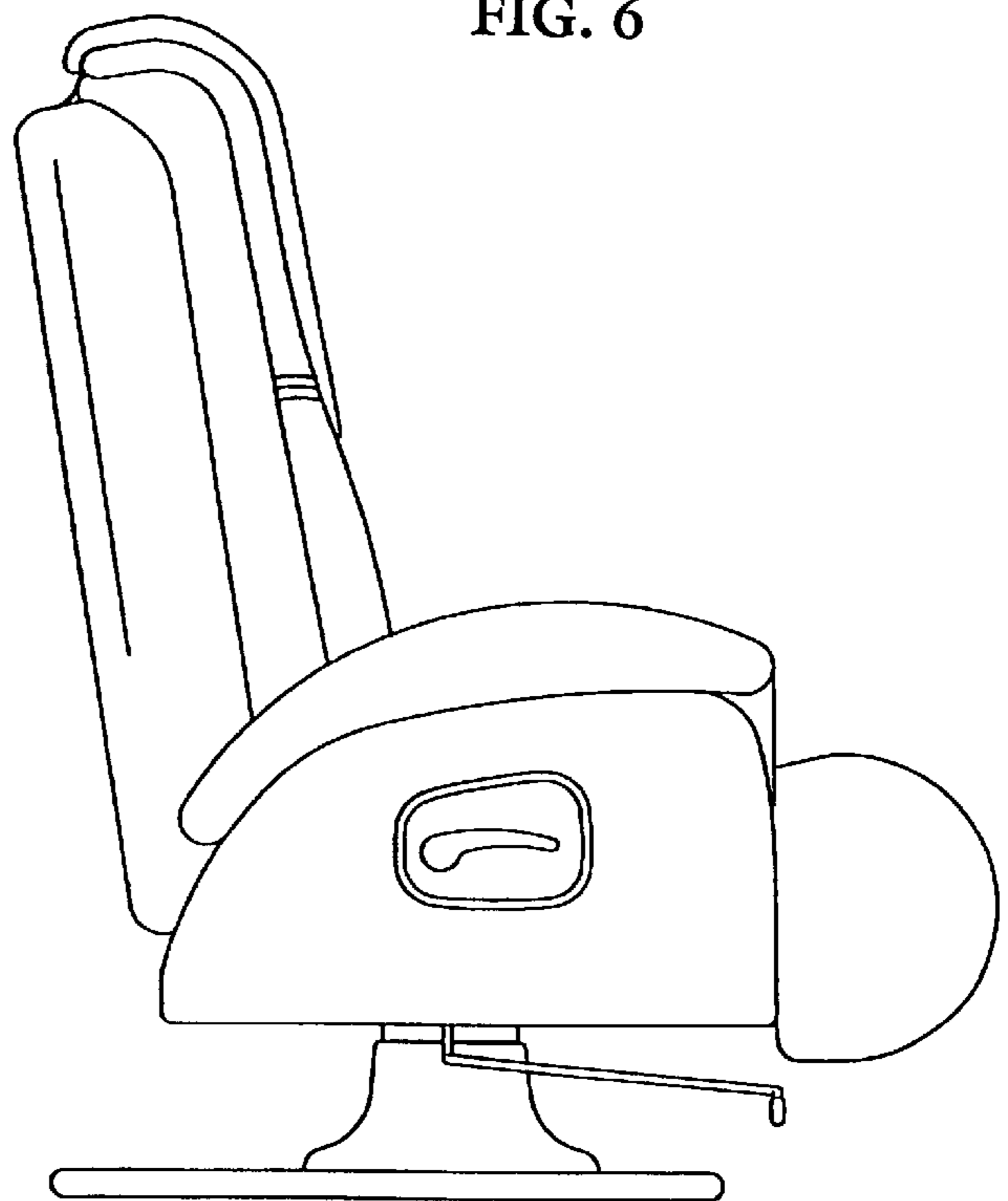


FIG. 7

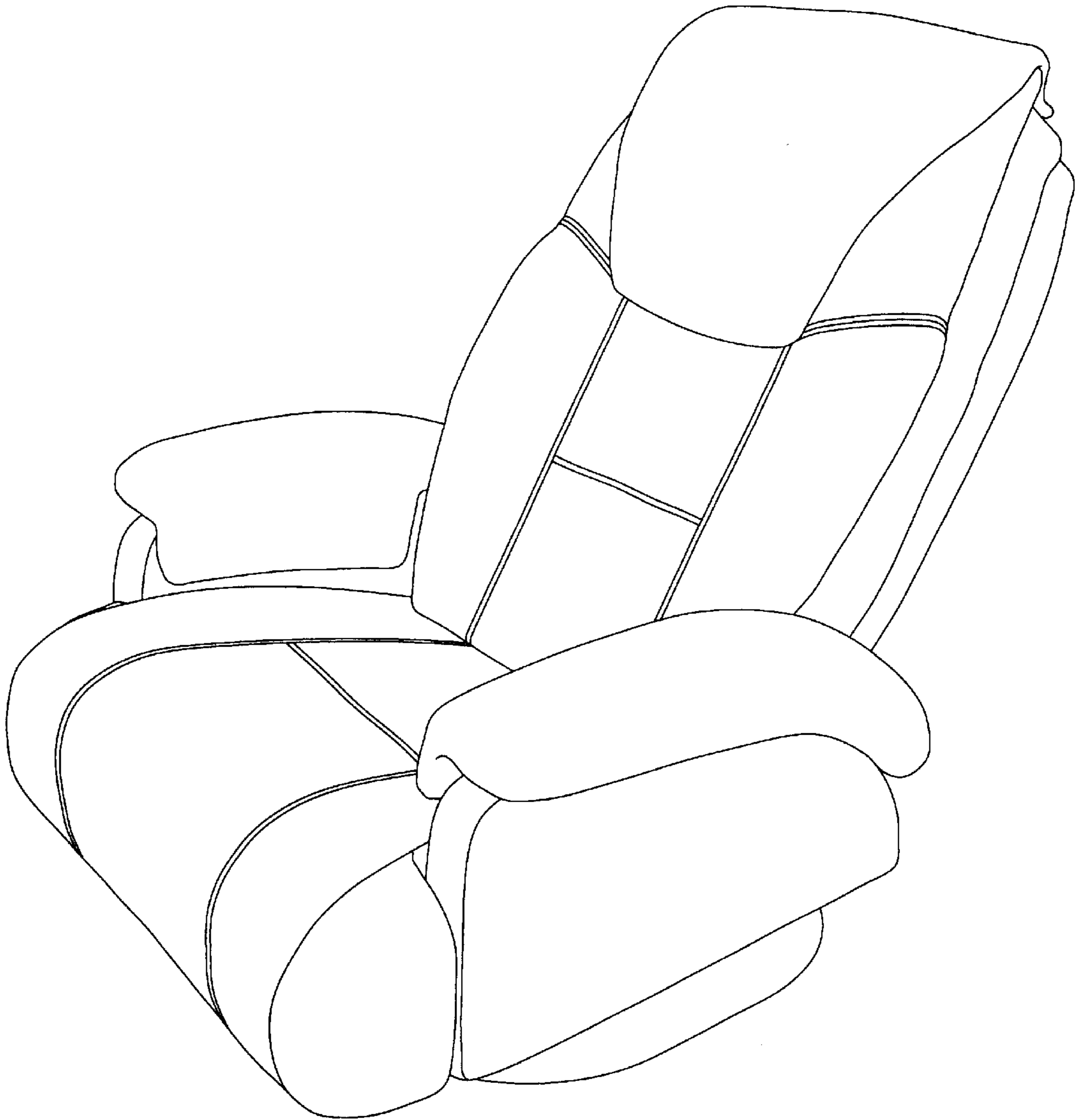


FIG. 8



FIG. 9

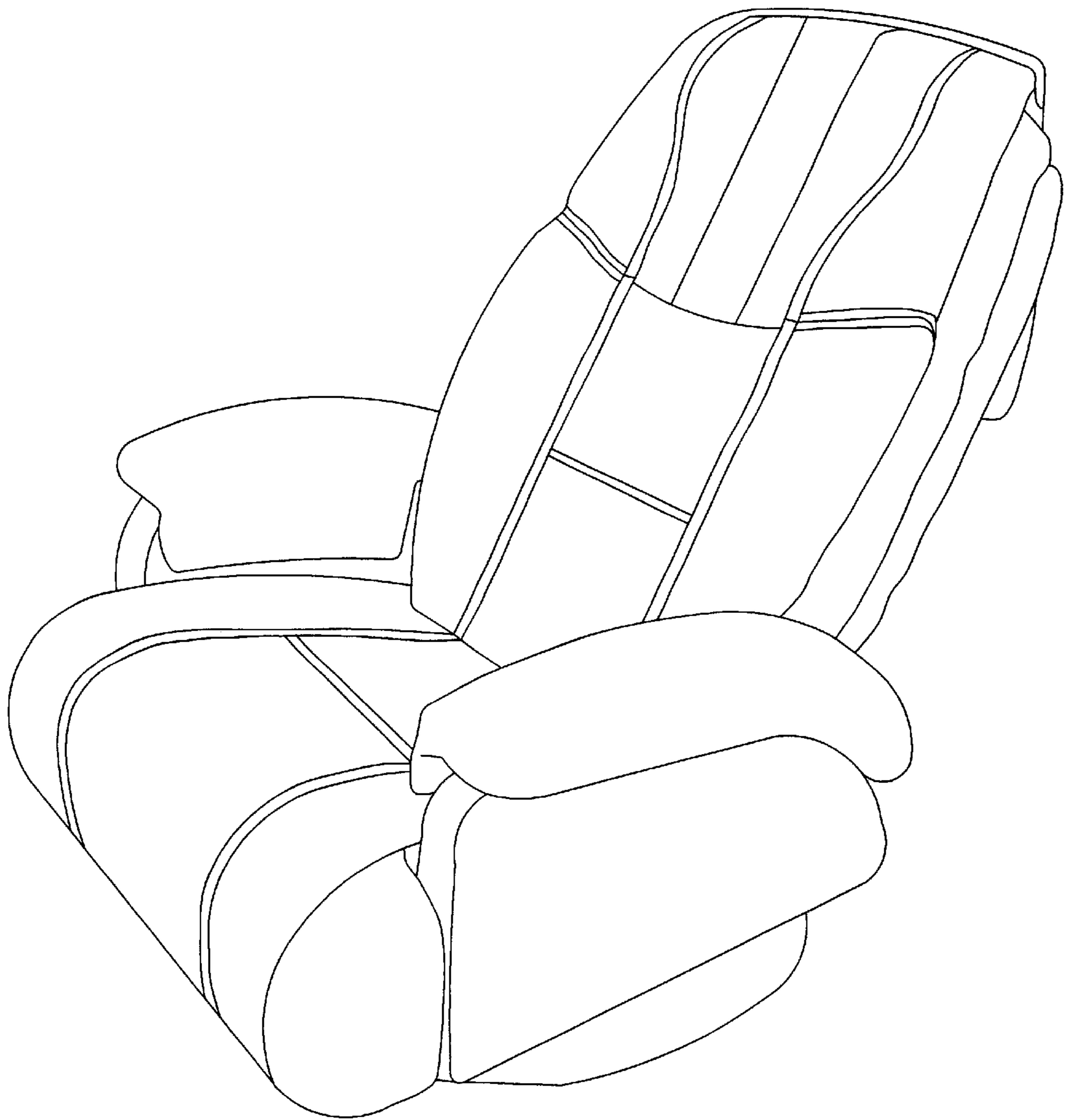


FIG. 10

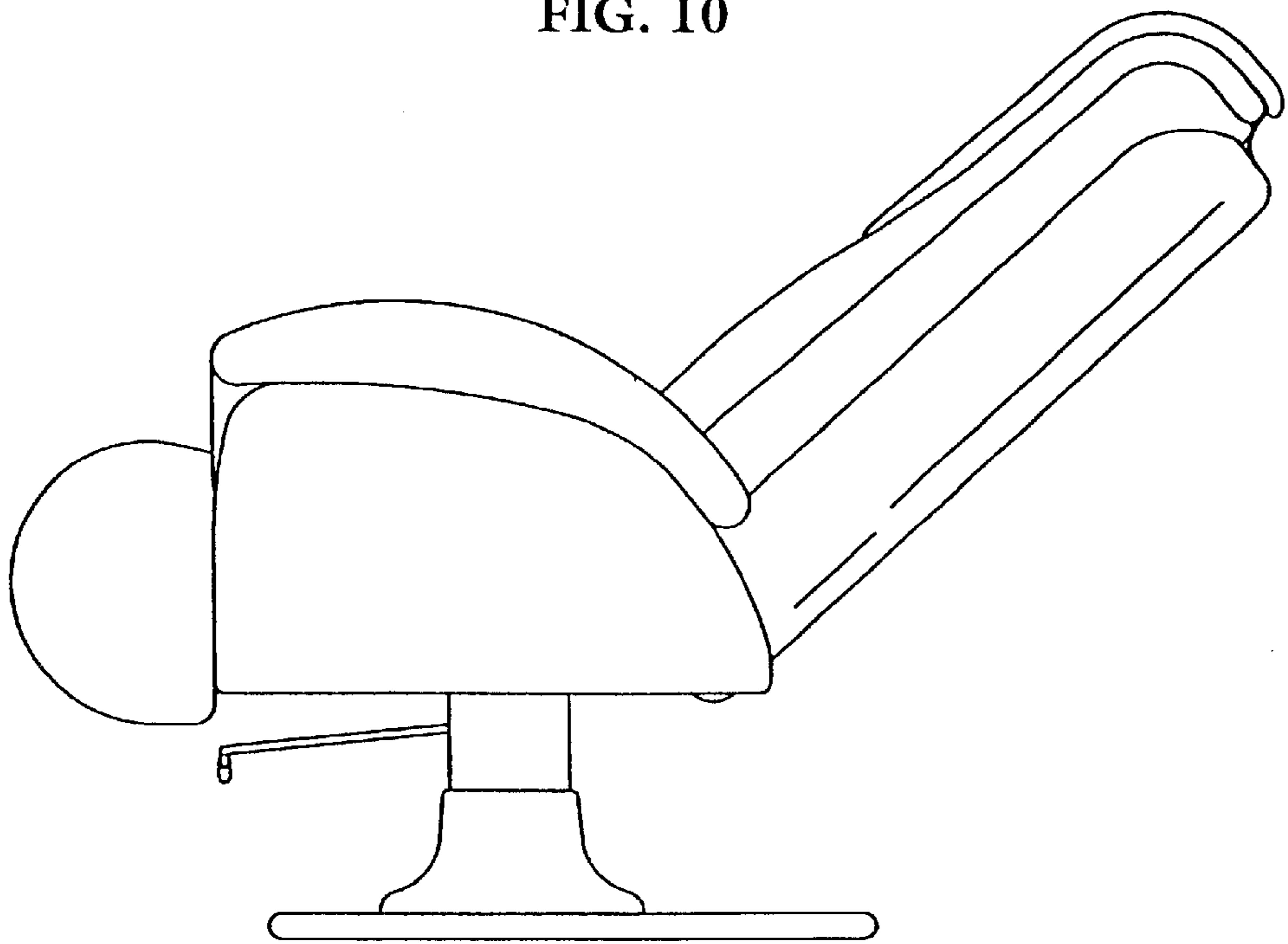


FIG. 11

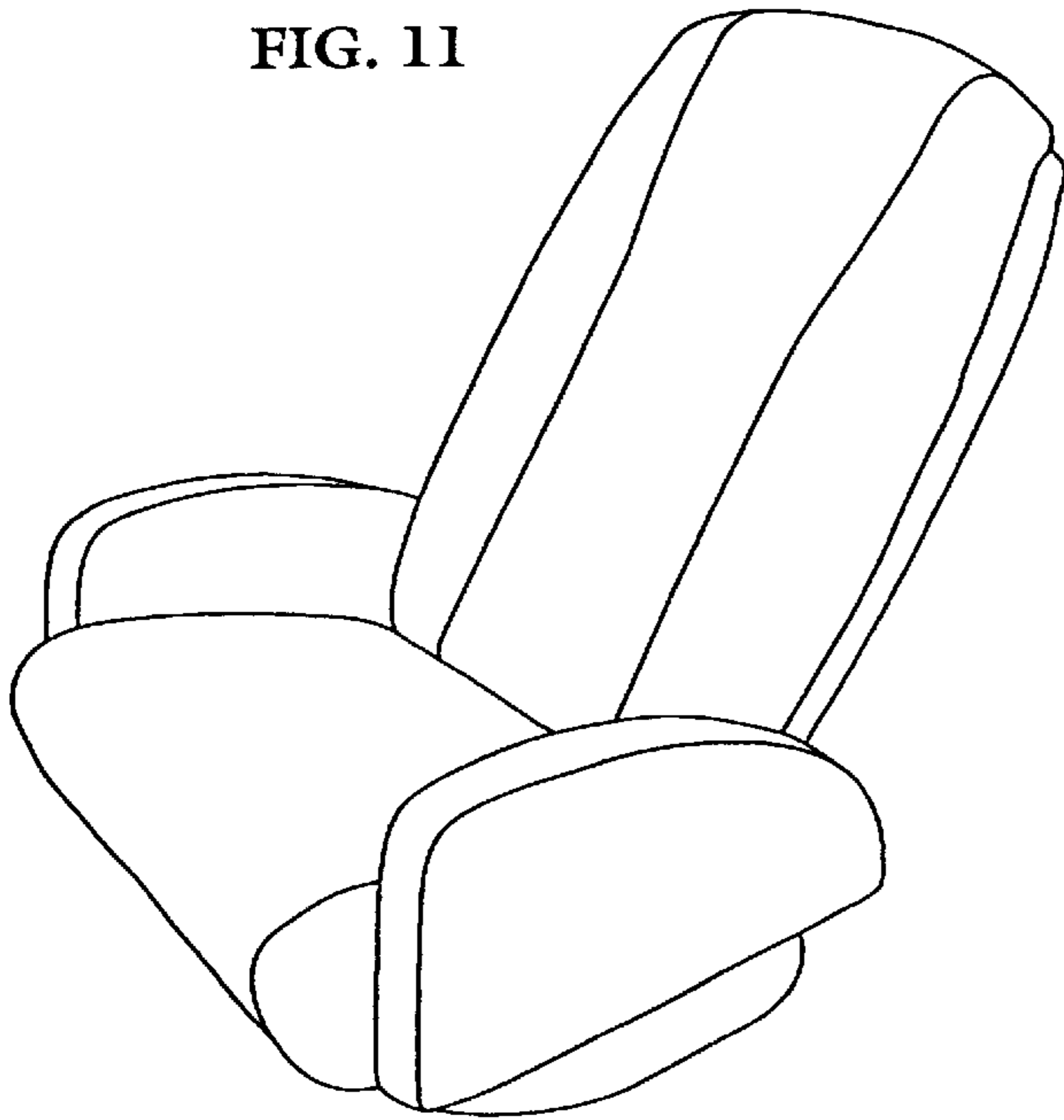


FIG. 12

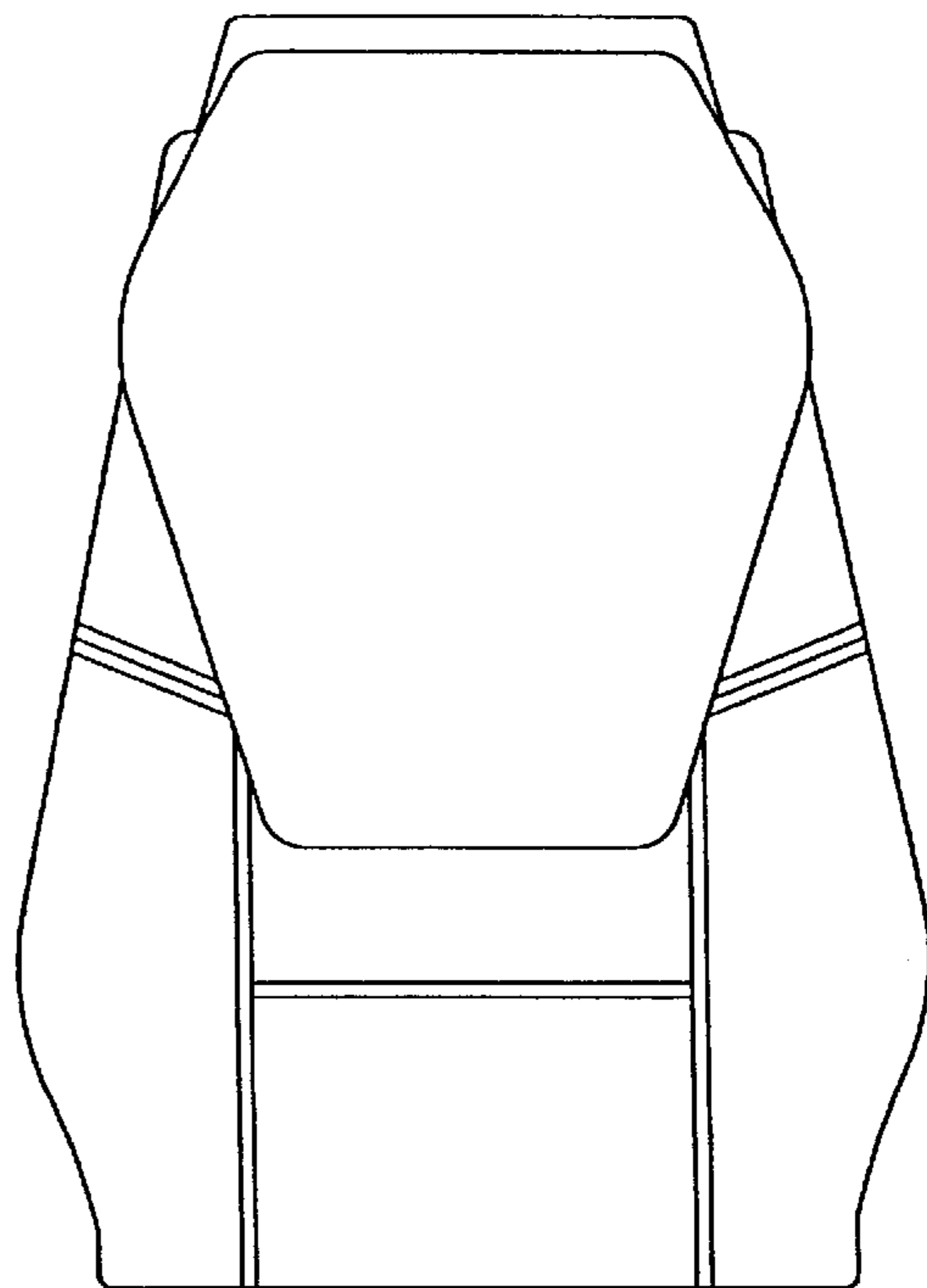


FIG. 13

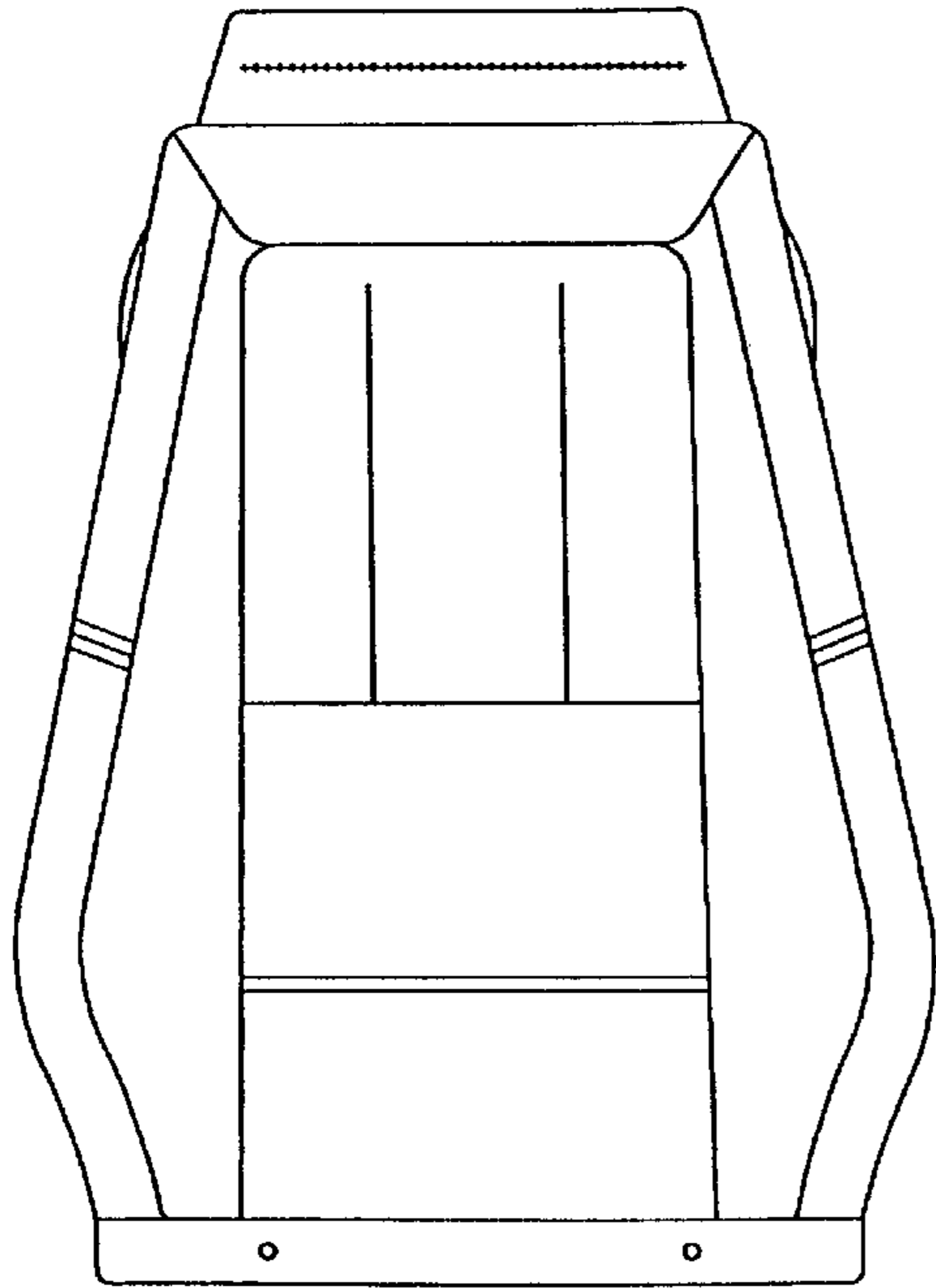


FIG. 14

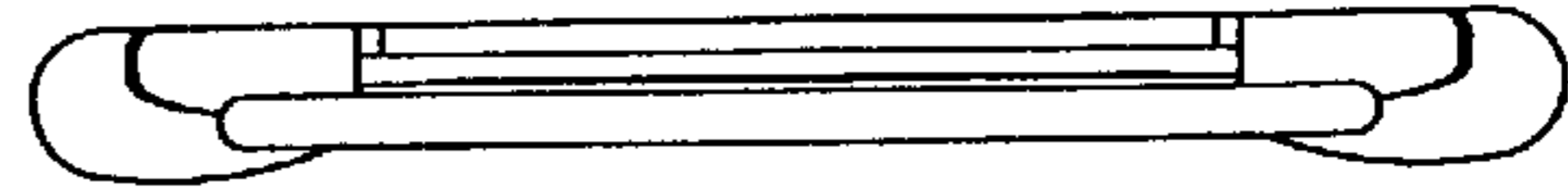


FIG. 15

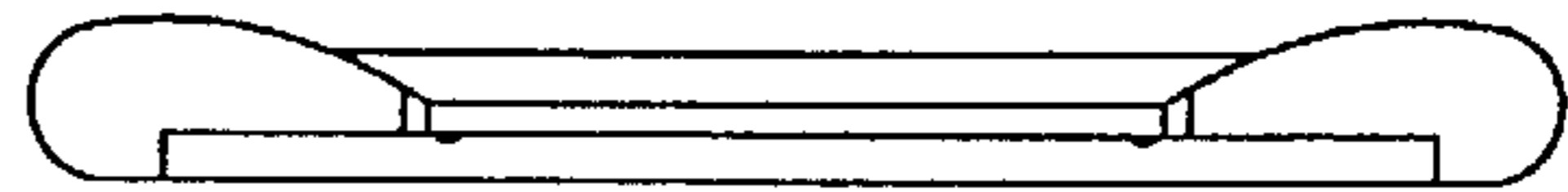


FIG. 16



FIG. 17

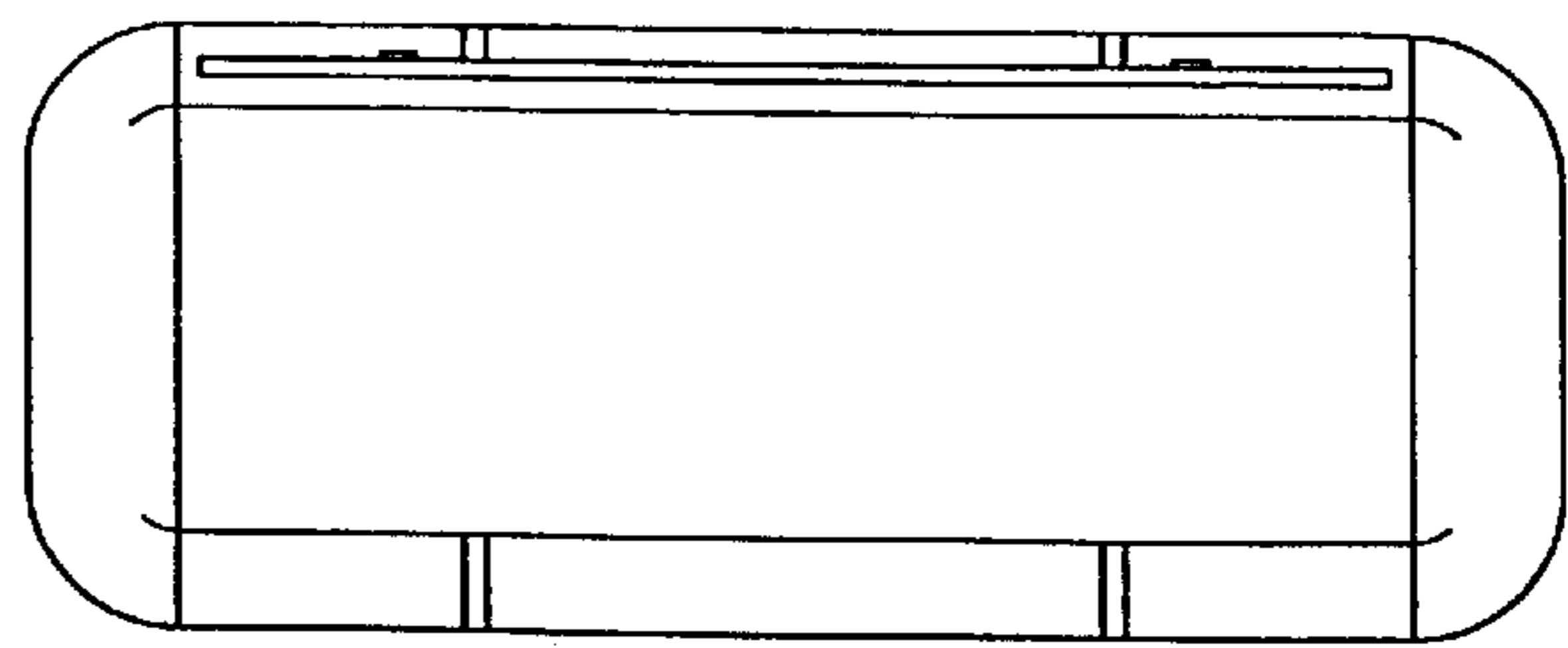


FIG. 18

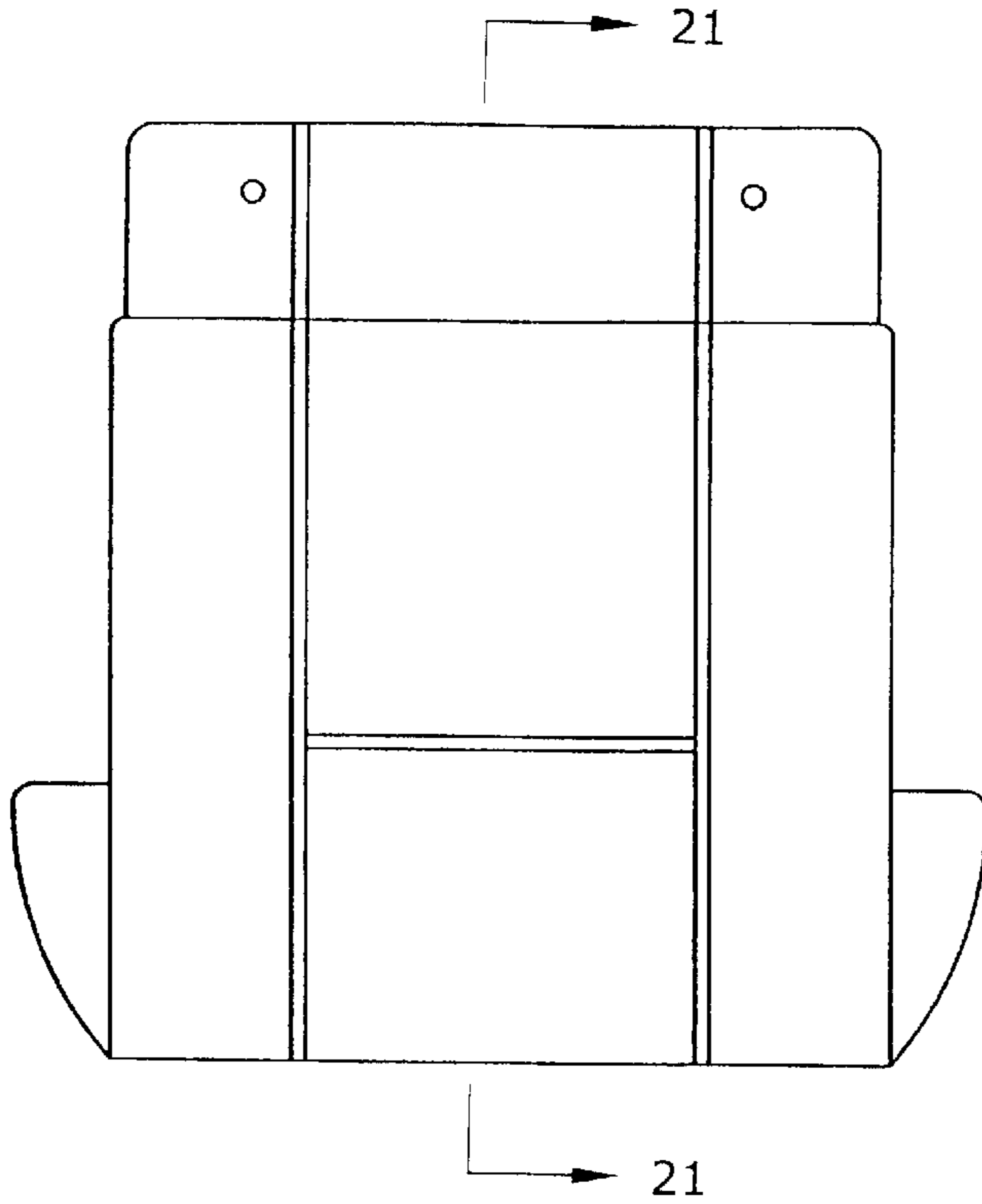


FIG. 19

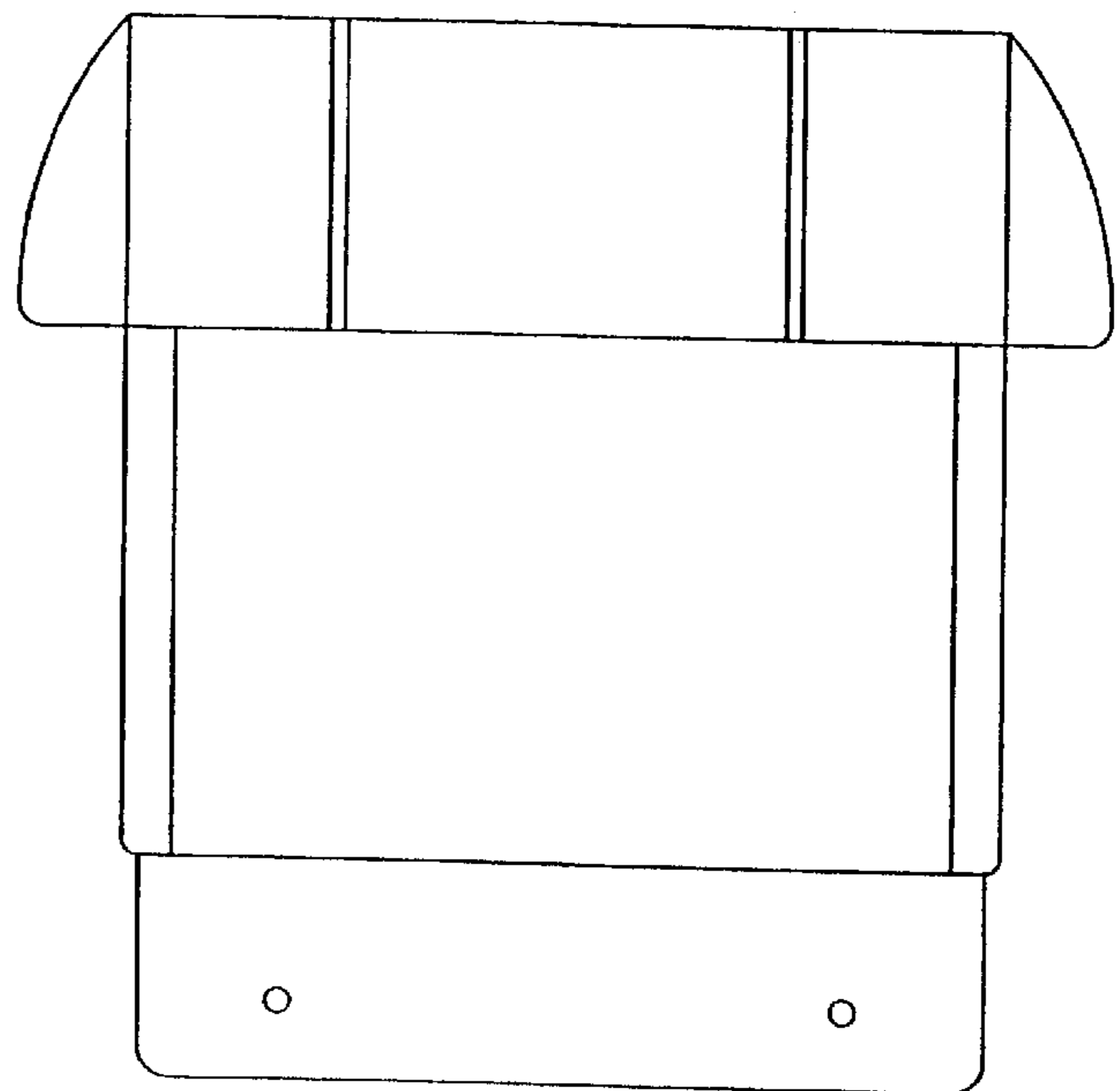


FIG. 20

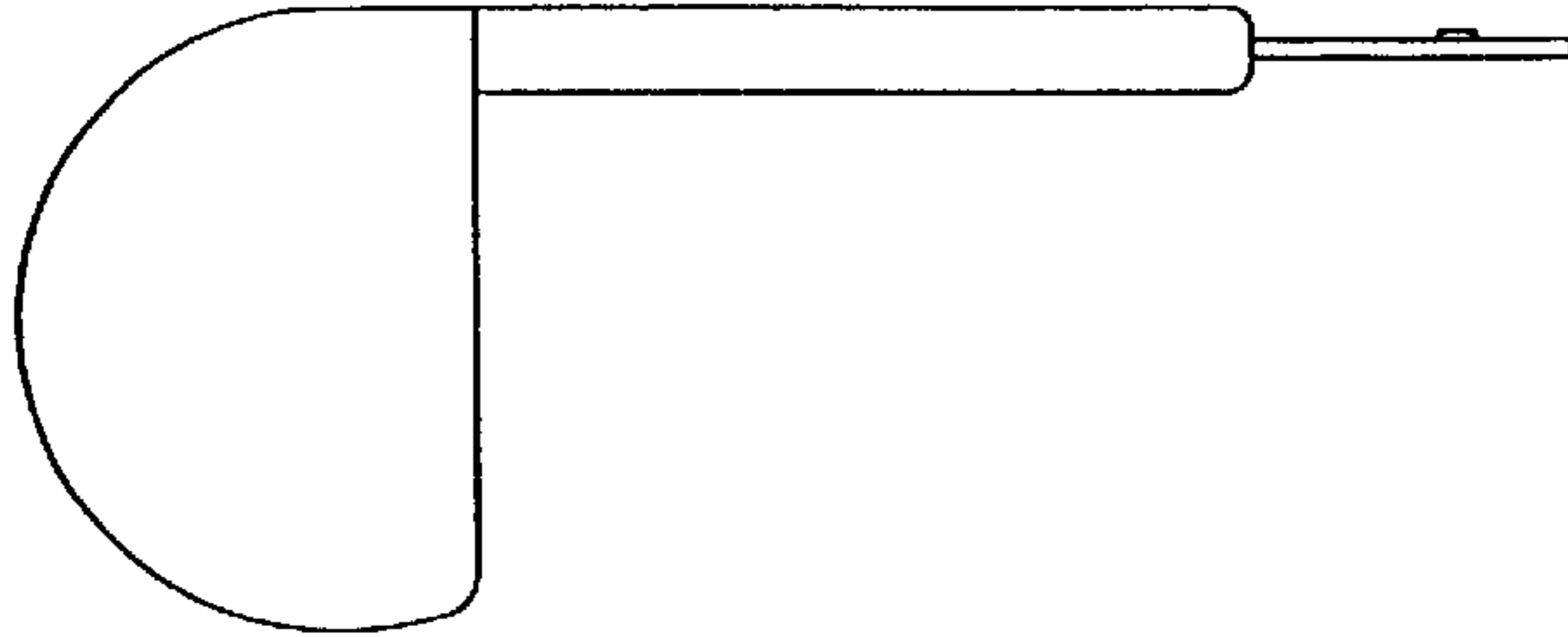


FIG. 21

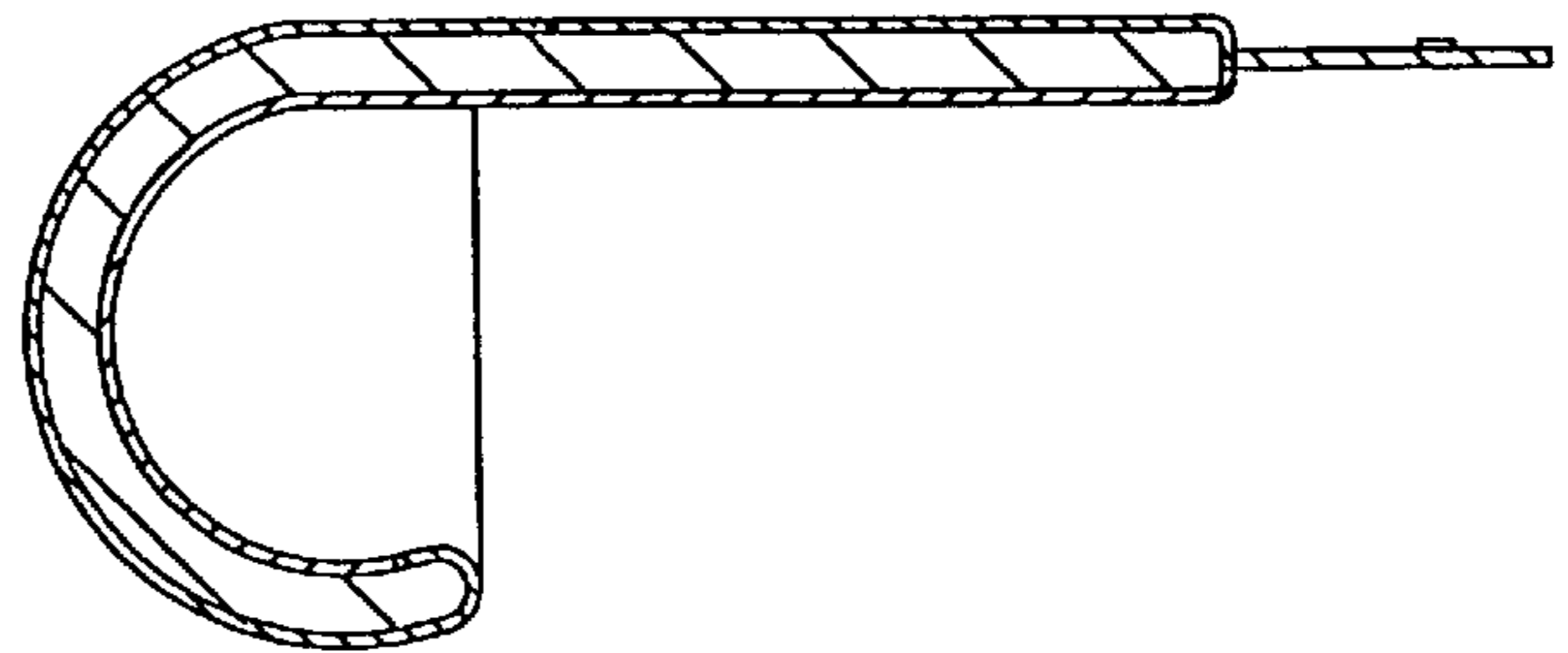


FIG. 22

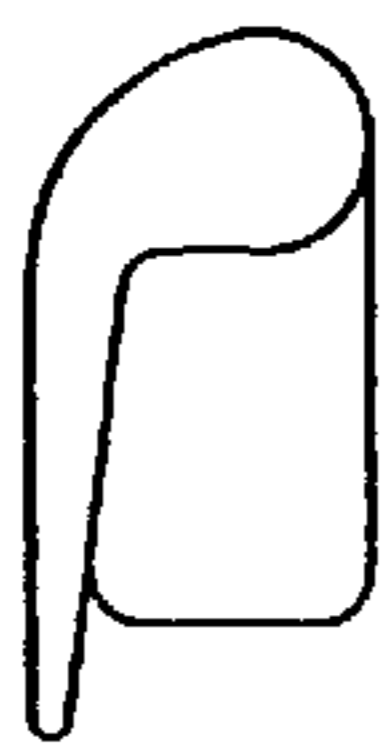


FIG. 23



FIG. 24

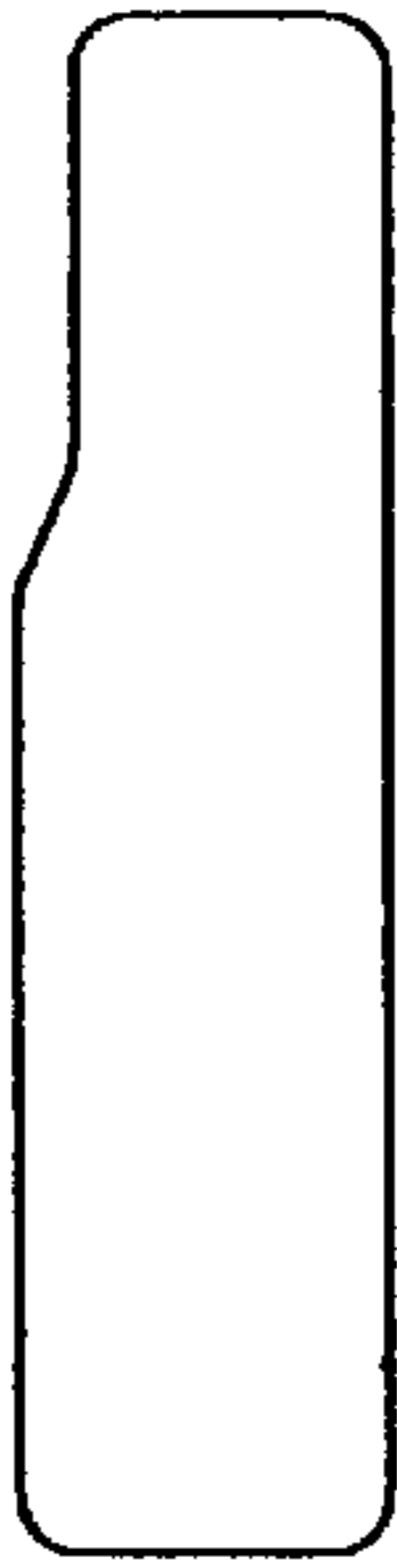


FIG. 25



FIG. 26

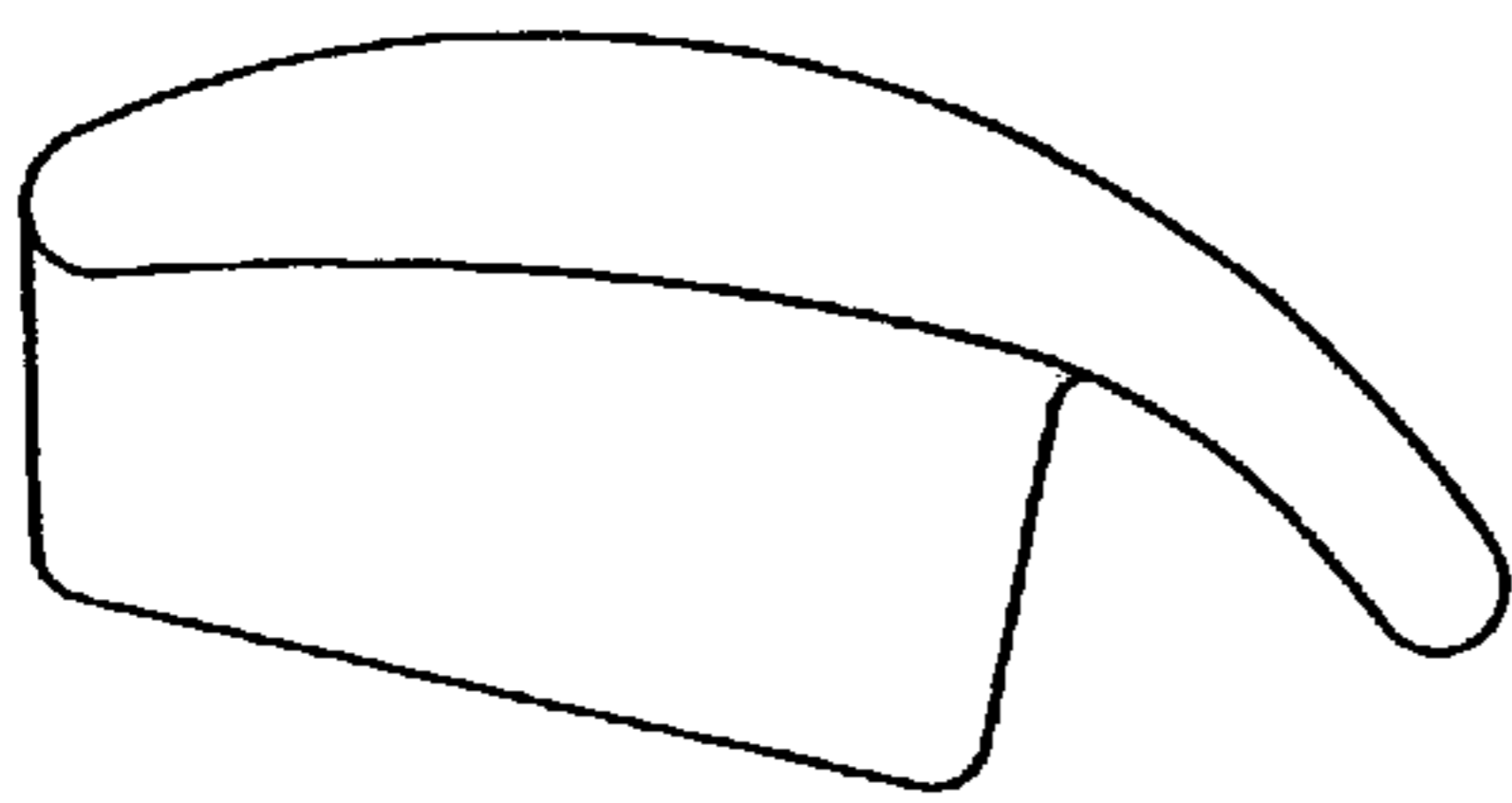


FIG. 27

