



US00D476489S

(12) **United States Design Patent**  
**Varasteh**

(10) **Patent No.:** **US D476,489 S**

(45) **Date of Patent:** **\*\* Jul. 1, 2003**

(54) **MONOLITHIC DOUBLE-SIDED DISPLAY**

D431,911 S \* 10/2000 Napracone ..... D6/310

(76) **Inventor:** **Vahdat Varasteh**, 784 Opal St., San Diego, CA (US) 92109

\* cited by examiner

(\*\*) **Term:** **14 Years**

*Primary Examiner*—Janice E. Seeger  
(74) *Attorney, Agent, or Firm*—Century IP Law Group

(21) **Appl. No.:** **29/163,982**

(57) **CLAIM**

(22) **Filed:** **Jul. 15, 2002**

The ornamental design for a monolithic double-sided display, as shown.

(51) **LOC (7) Cl.** ..... **06-07**

(52) **U.S. Cl.** ..... **D6/300**

(58) **Field of Search** ..... D6/300–303, 308–314;  
40/700, 711, 714, 715, 721, 722, 735, 737,  
738, 739, 744, 790, 798, 800; D12/193;  
248/468, 488, 473

**DESCRIPTION**

FIG. 1 is a planar frontal view of a monolithic double-sided display showing my new design;

FIG. 2 is a perspective view thereof; and,

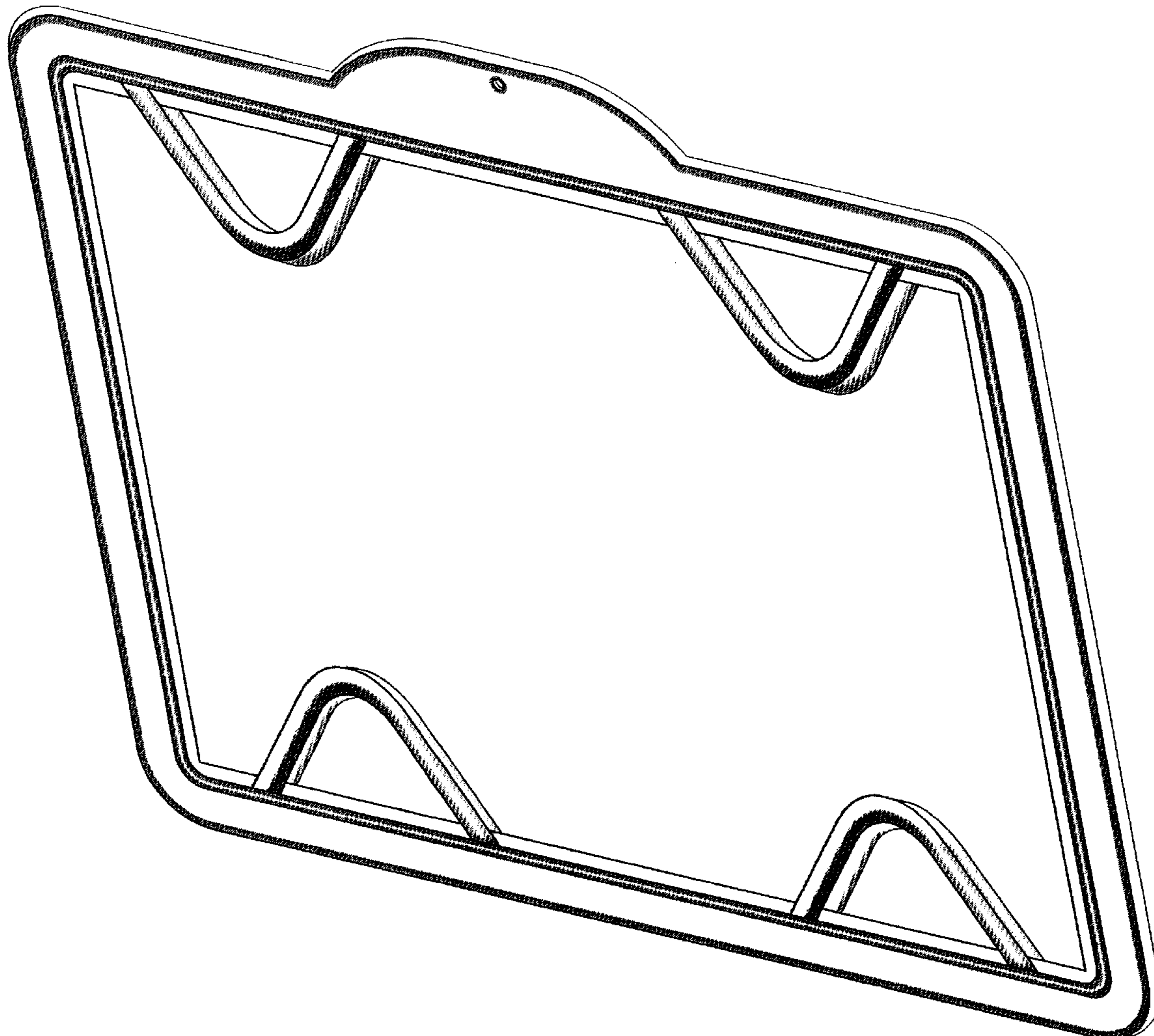
FIG. 3 is a planar side view thereof.

(56) **References Cited**

**U.S. PATENT DOCUMENTS**

612,747 A \* 10/1898 McCaskey ..... 40/744

**1 Claim, 3 Drawing Sheets**



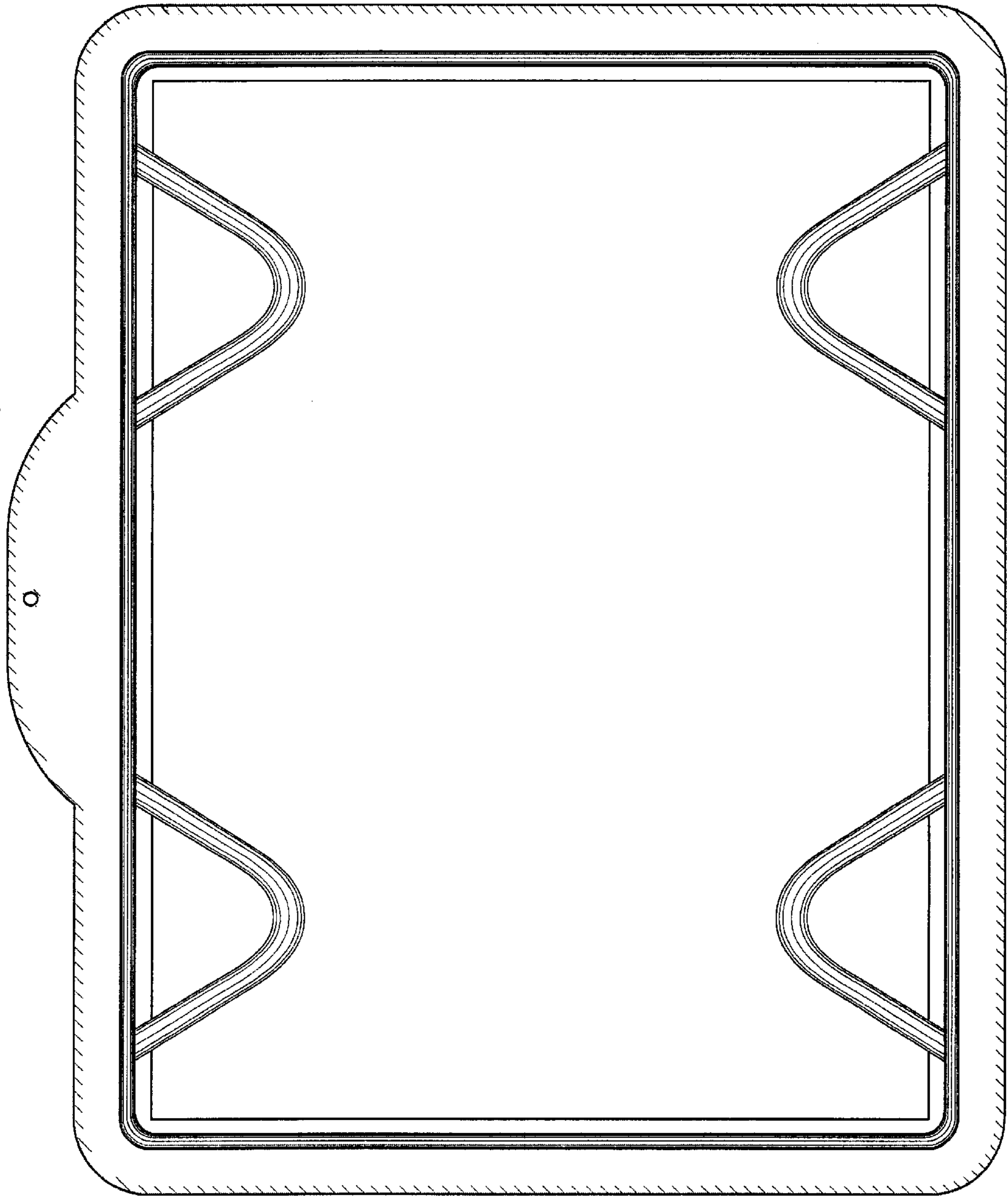


FIG.1

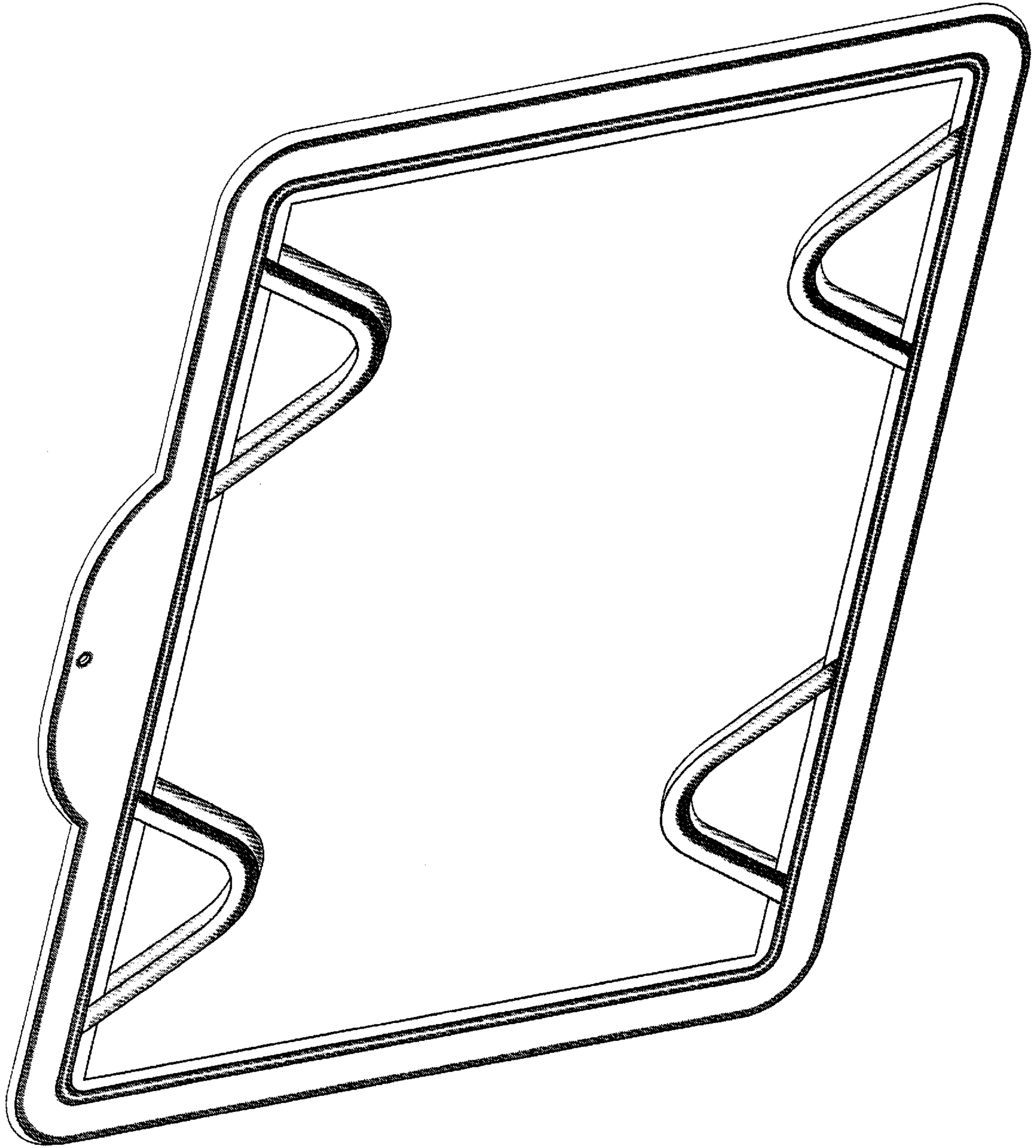


FIG.2

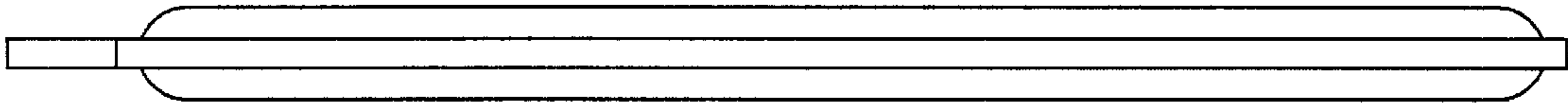


FIG. 3