



US00D476480S

(12) **United States Design Patent**  
**Hillman**

(10) **Patent No.:** **US D476,480 S**

(45) **Date of Patent:** **\*\* Jul. 1, 2003**

(54) **STORAGE CASE FOR CAMCORDER AND ACCESSORIES**

D460,256 S 7/2002 Hillman ..... D3/219  
D460,615 S 7/2002 Hillman ..... D3/219

(75) **Inventor:** **Jack L. Hillman**, Colorado Springs, CO (US)

(73) **Assignee:** **Case Logic, Inc.**, Longmont, CO (US)

(\*\*) **Term:** **14 Years**

(21) **Appl. No.:** **29/161,103**

(22) **Filed:** **May 21, 2002**

(51) **LOC (7) Cl.** ..... **03-01**

(52) **U.S. Cl.** ..... **D3/263; D3/267; D3/268; D3/273**

(58) **Field of Search** ..... D3/208, 215, 219, D3/225, 226, 243, 267, 263, 268, 273, 276, 283, 285, 287, 289, 290, 301; D7/607; 206/316.1, 316.2; 224/583, 612, 908

(56) **References Cited**

**U.S. PATENT DOCUMENTS**

- 2,691,401 A \* 10/1954 Kontoff
- 2,827,096 A \* 3/1958 Hinson
- 2,960,137 A \* 11/1960 Lipsitz
- 3,001,566 A \* 9/1961 Lipsitz
- D194,140 S \* 11/1962 Weintraub
- D249,824 S \* 10/1978 Koszegi ..... D3/268
- 4,403,638 A \* 9/1983 Baum ..... 206/316.2
- D273,533 S \* 4/1984 Weinreb ..... D3/268
- D291,149 S \* 8/1987 Smith ..... D3/287
- D305,798 S \* 1/1990 Say ..... D24/111
- 4,917,160 A \* 4/1990 Hart et al.
- D312,530 S \* 12/1990 Gallen et al. .... D3/268
- 4,976,352 A \* 12/1990 Nordstrom ..... 206/316.2
- 5,201,867 A \* 4/1993 Morszeck ..... 206/316.2
- D355,568 S \* 2/1995 Paulin et al. .... D7/607
- 5,497,919 A \* 3/1996 Klinger
- D371,052 S \* 6/1996 Melk ..... D7/607
- D371,724 S \* 7/1996 Melk ..... D7/607
- D378,709 S \* 4/1997 Jacobs et al. .... D3/233
- D381,871 S \* 8/1997 Melk ..... D7/607
- D423,779 S \* 5/2000 Goatcher ..... D3/283
- 6,234,677 B1 \* 5/2001 Mogil ..... 383/110

**OTHER PUBLICATIONS**

- Case Logic 2002 Product Catalog, "What's Inside Survives", pp. 30 and 31.
- Case Logic Spring 2000 Product Catalog, pp. 24, 25 and 28.
- Case Logic 2001 Essential Equipment Product Catalog, pp. 35, 36 and 37.
- Case Logic 2000 Essential Equipment Product Catalog, pp. 33, 36 and 37.
- Case Logic 1999 Product Catalog, pp. 20, 21 and 22.
- Case Logic Photo/Video Product Catalog "Video/Camcorder Cases" page. undated.
- Lowepro 2000 Catalog, pp. 27, 31, 33, 41, 49 and 51.

(List continued on next page.)

*Primary Examiner*—Celia Murphy  
(74) *Attorney, Agent, or Firm*—Sheridan Ross P.C.

(57) **CLAIM**

The ornamental design for a storage case for camcorder and accessories, as shown and described.

**DESCRIPTION**

FIG. 1 is a front perspective view of a storage case for camcorder and accessories showing my new design in an open position, the broken lines depicting environment and forming no part of the claimed design;

FIG. 2 is a front elevation view of the invention illustrated in FIG. 1 and shown in a closed position;

FIG. 3 is a rear elevation view of the invention illustrated in FIG. 2;

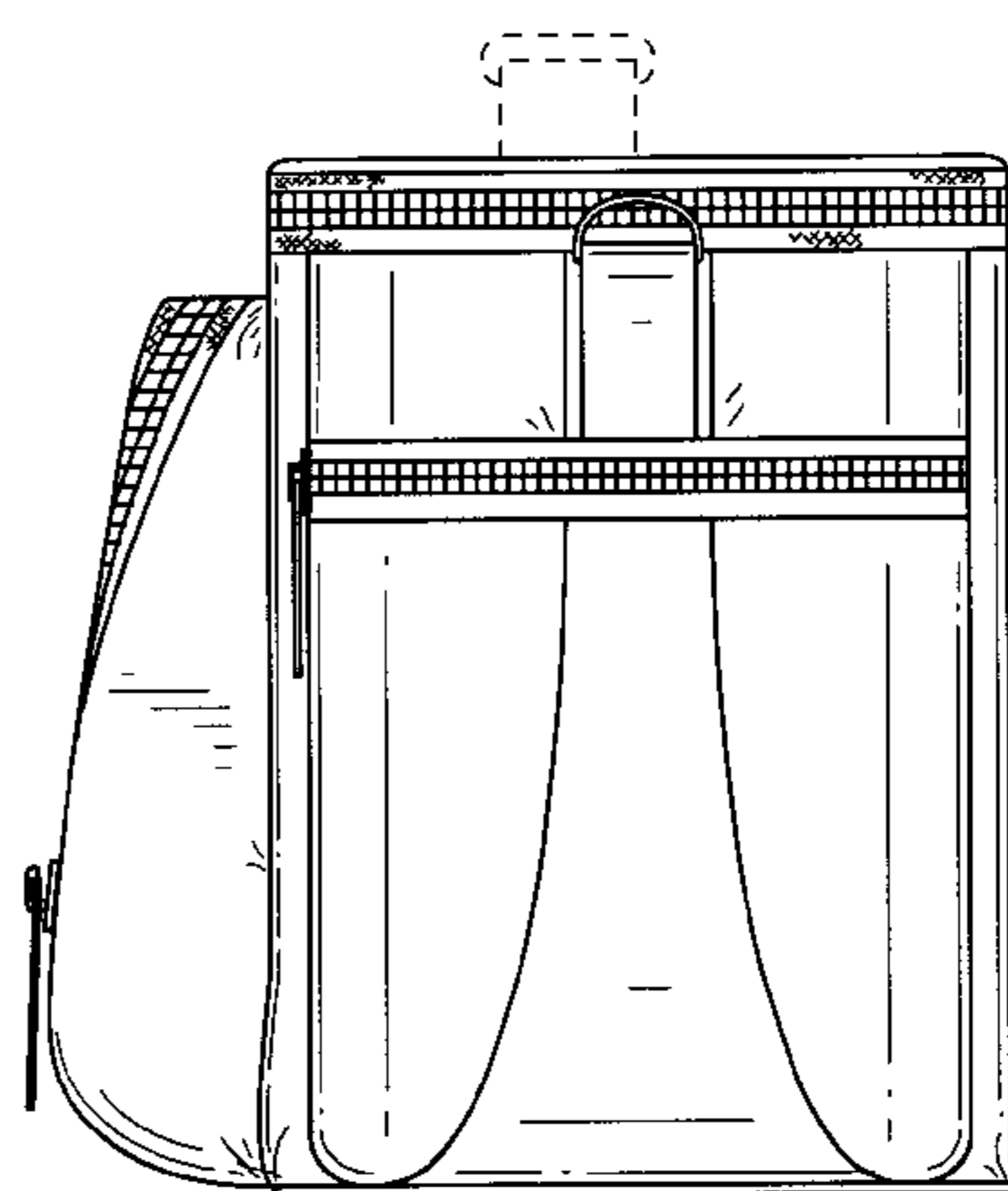
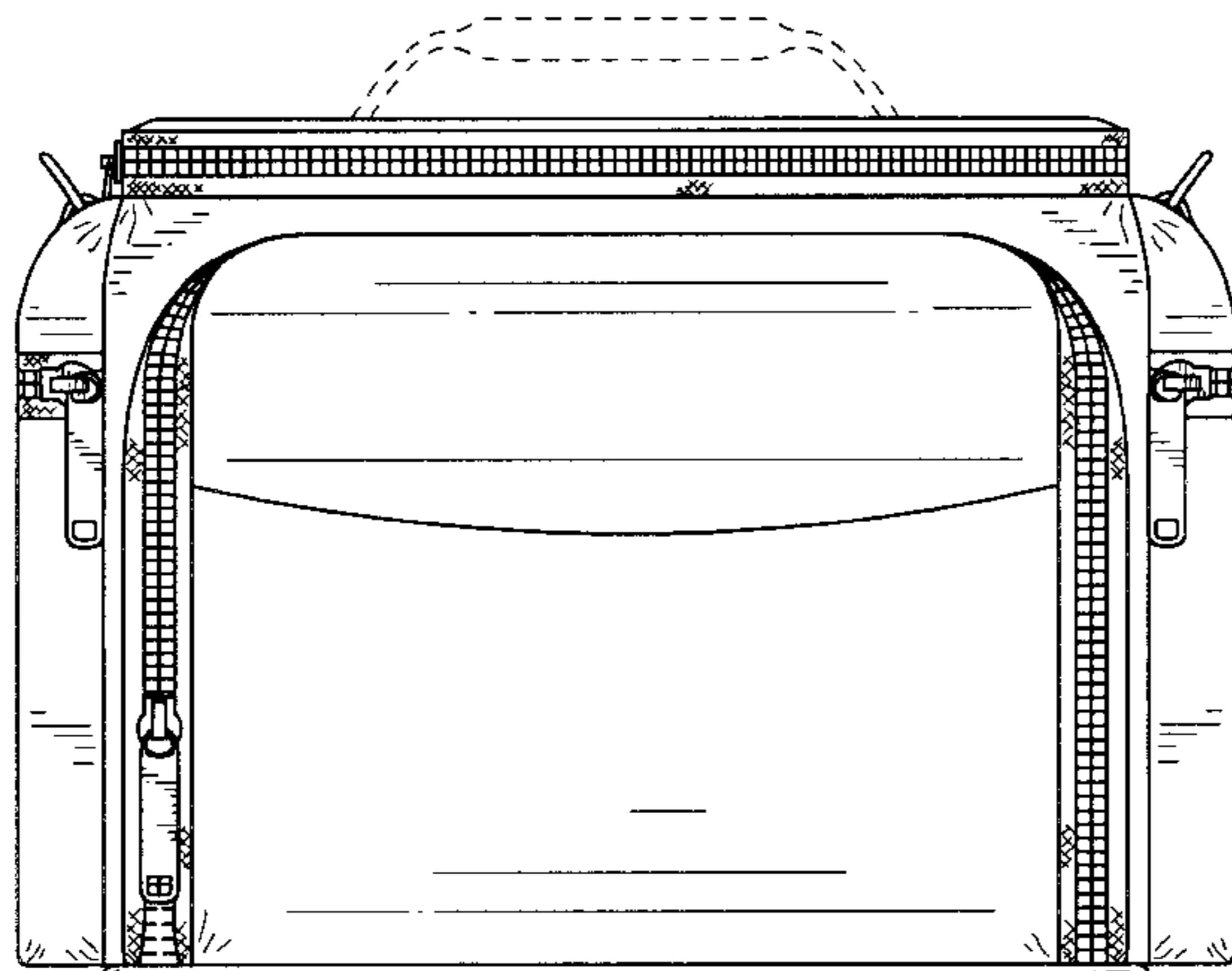
FIG. 4 is a right elevation view of the invention illustrated in FIG. 2;

FIG. 5 is left elevation view of the invention illustrated in FIG. 2;

FIG. 6 is a top plan view of the invention illustrated in FIG. 2; and,

FIG. 7 is a bottom plan view of the invention illustrated in FIG. 2.

**1 Claim, 4 Drawing Sheets**



OTHER PUBLICATIONS

Targus Digital Camera Cases Product Brochure, Digital Camera and Photo Case pages entitled "SPORT", "ADVENTURE" and "PRO-BLACK" undated.

Ambico Video Luggage & Photo Cases Catalog, pp. 2-5. undated.

Samsonite Photo Video Taschen Catalog, date unknown.

1999 CdProjects Catalog, p. 22.

Case Connect Product Brochure, pp. 10 and 11. undated.

Tamrac 20<sup>th</sup> Anniversary Catalog 1998, pp. 16, 17, 20-24, 29, 39, 45, 50, 51.

U.S. patent application Ser. No. 29/159,382, filed Apr. 17, 2002, Hasset.

U.S. patent application Ser. No. 29/157,486, filed Mar. 19, 2002, Hasset.

U.S. patent application Ser. No. 29/157,137, filed Apr. 15, 2002, Hillman.

U.S. patent application Ser. No. 29/159,181, filed Apr. 15, 2002, Hillman.

\* cited by examiner

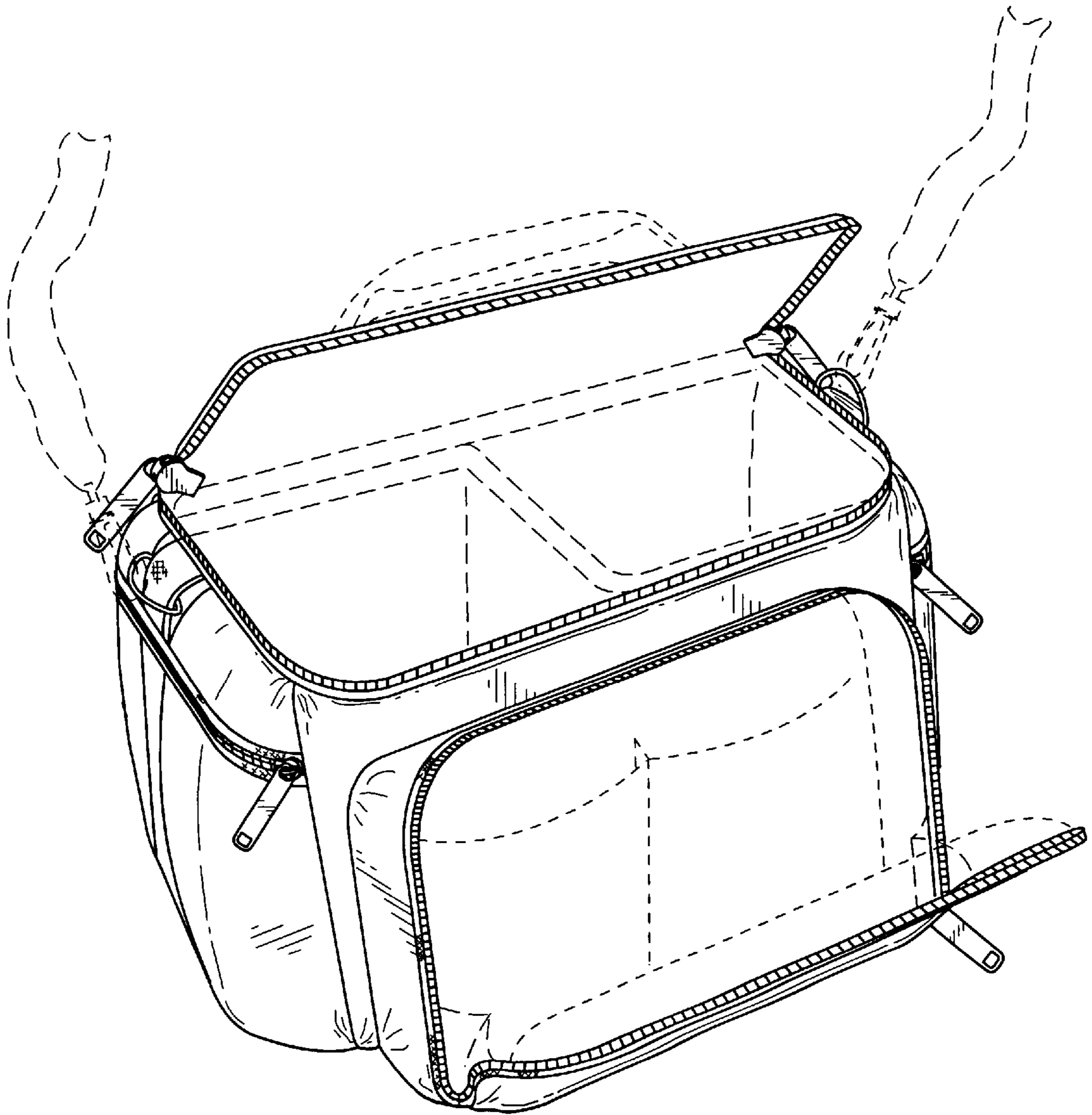


FIG.1

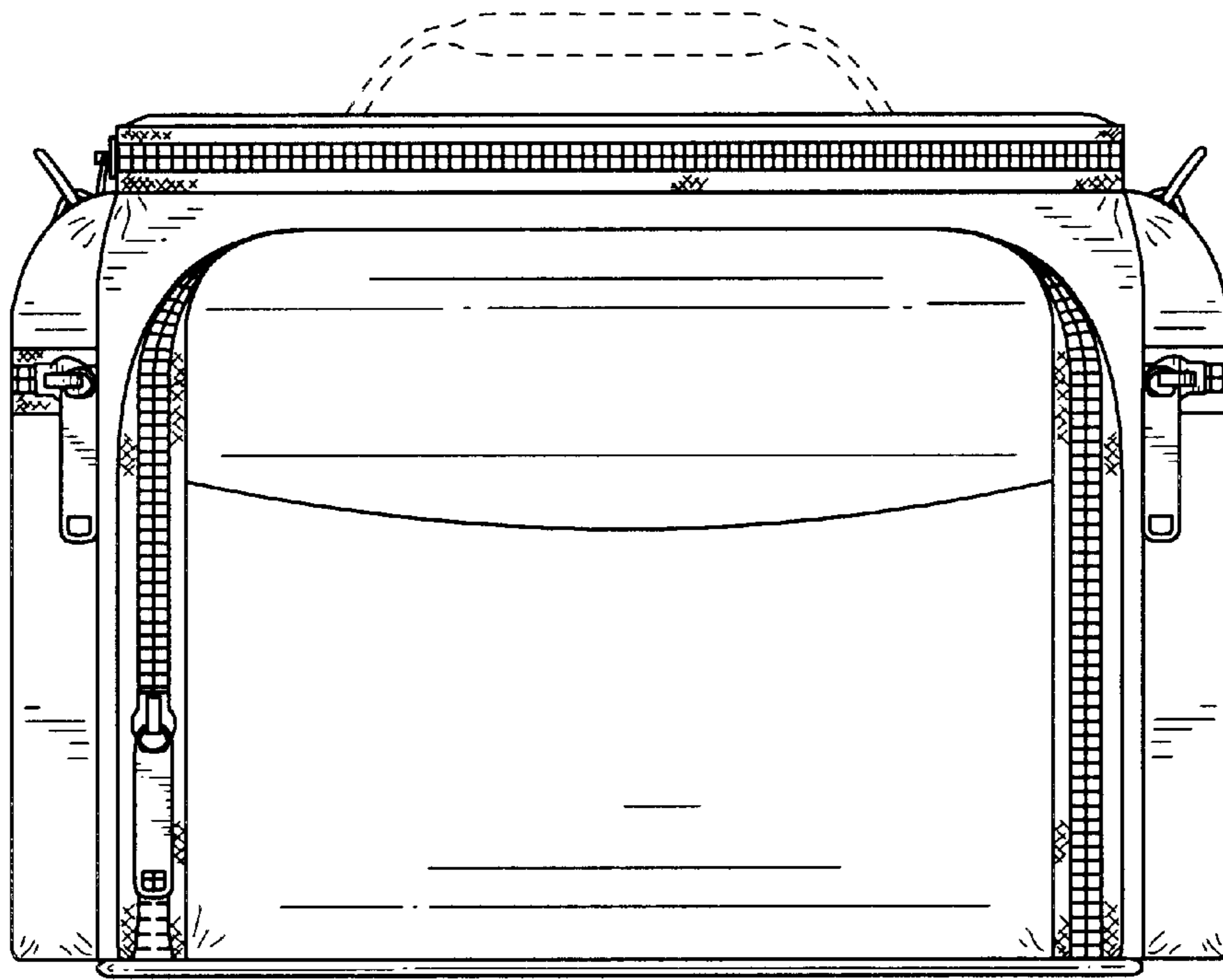


FIG. 2

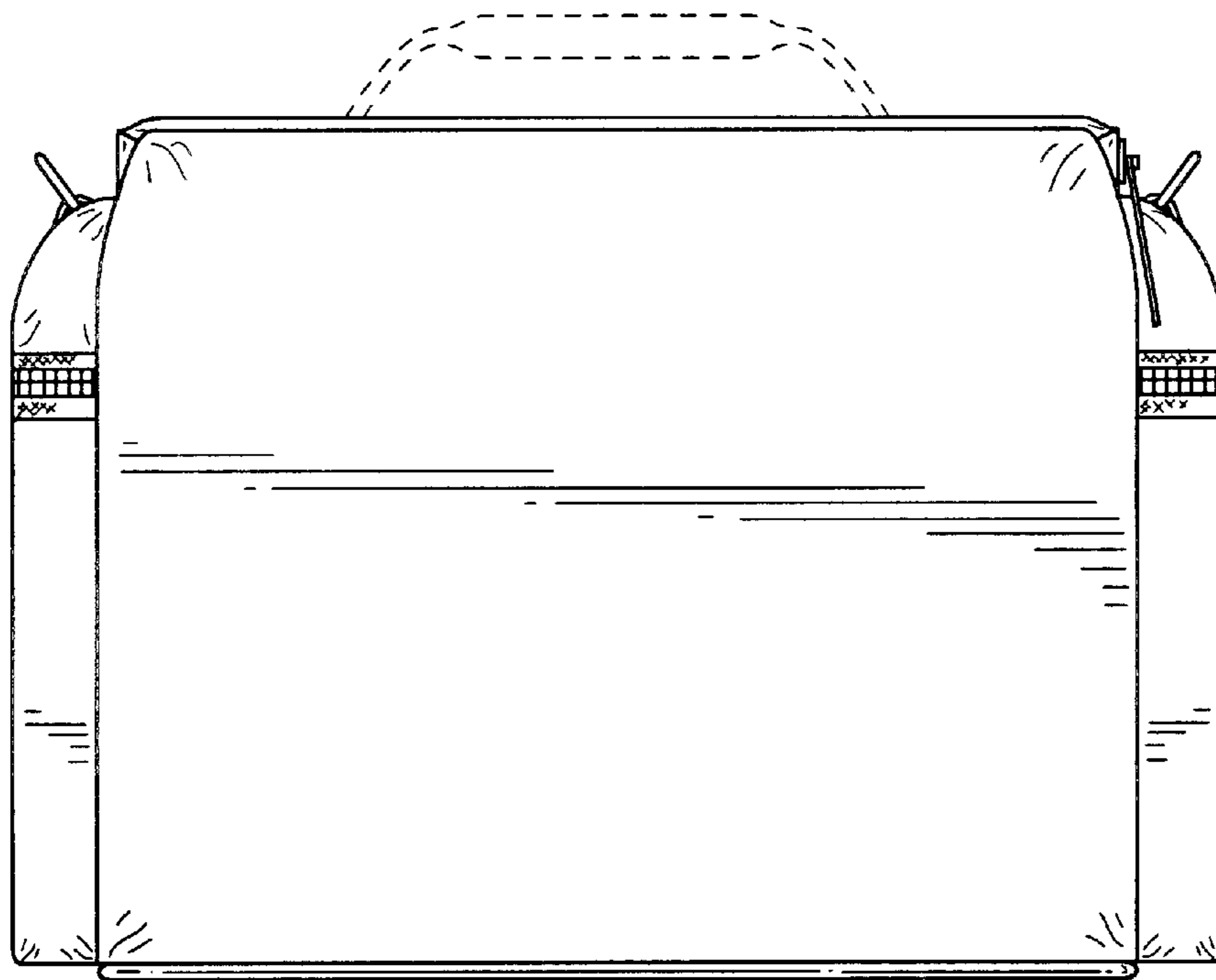


FIG. 3

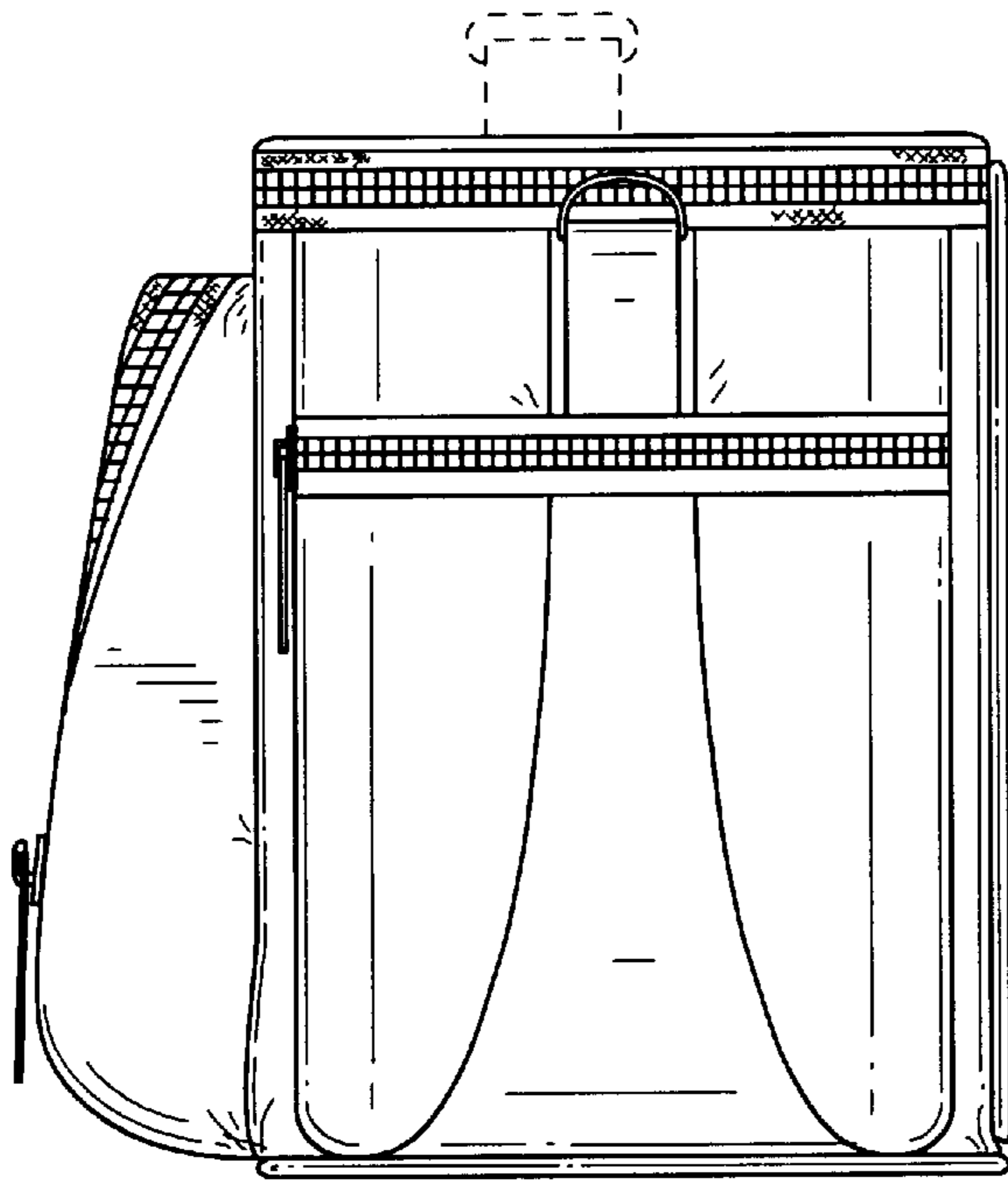


FIG. 4

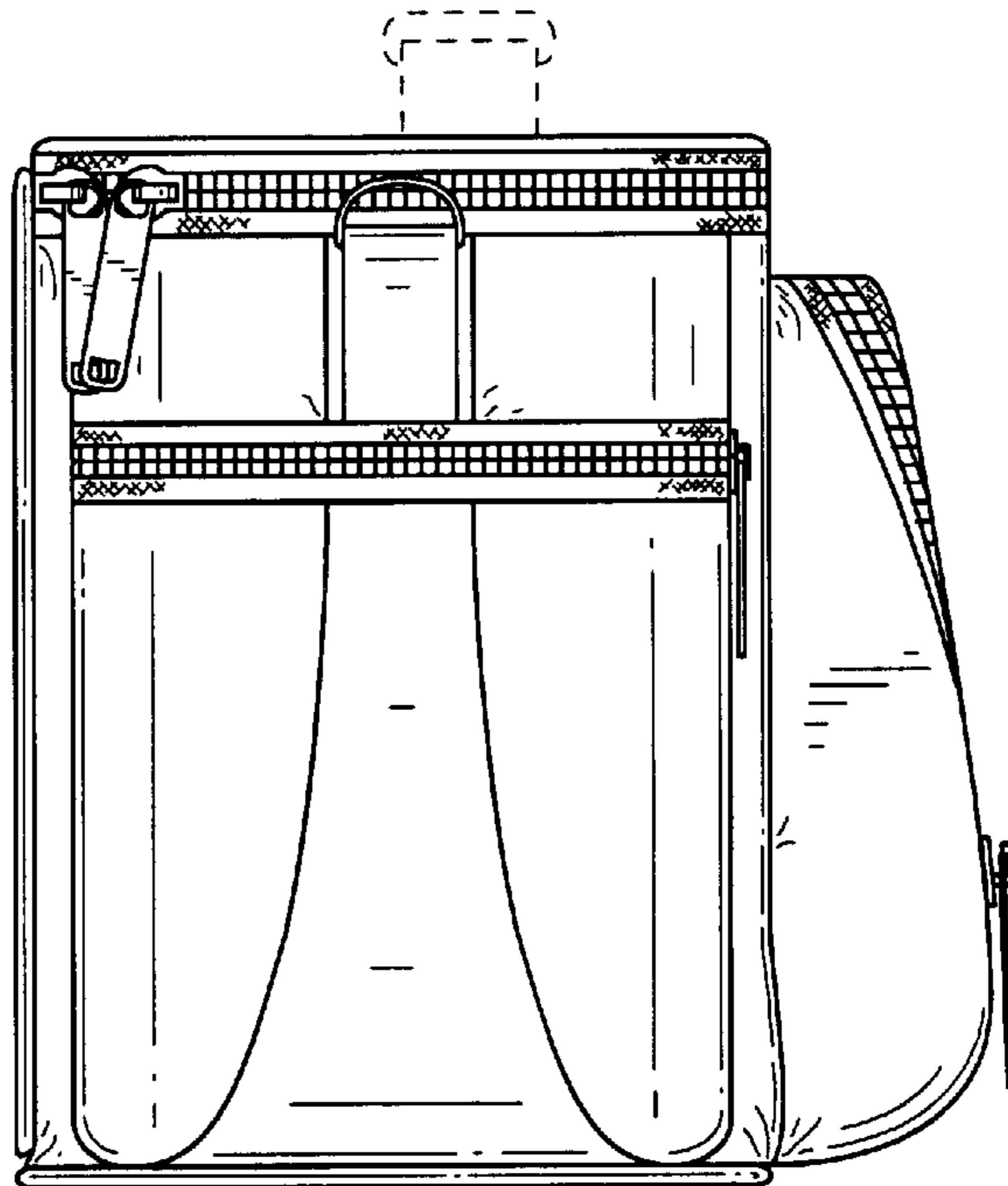


FIG. 5

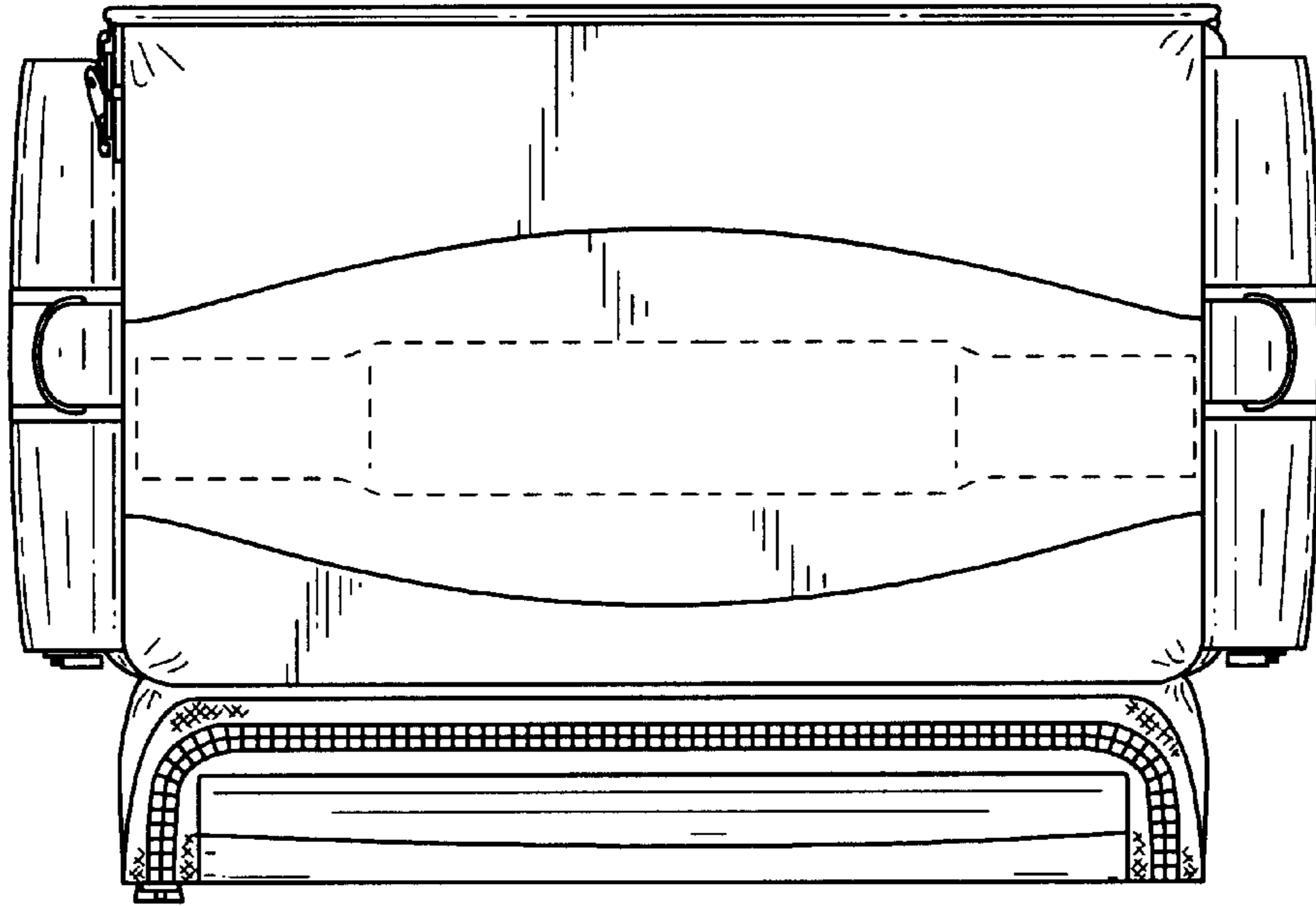


FIG. 6

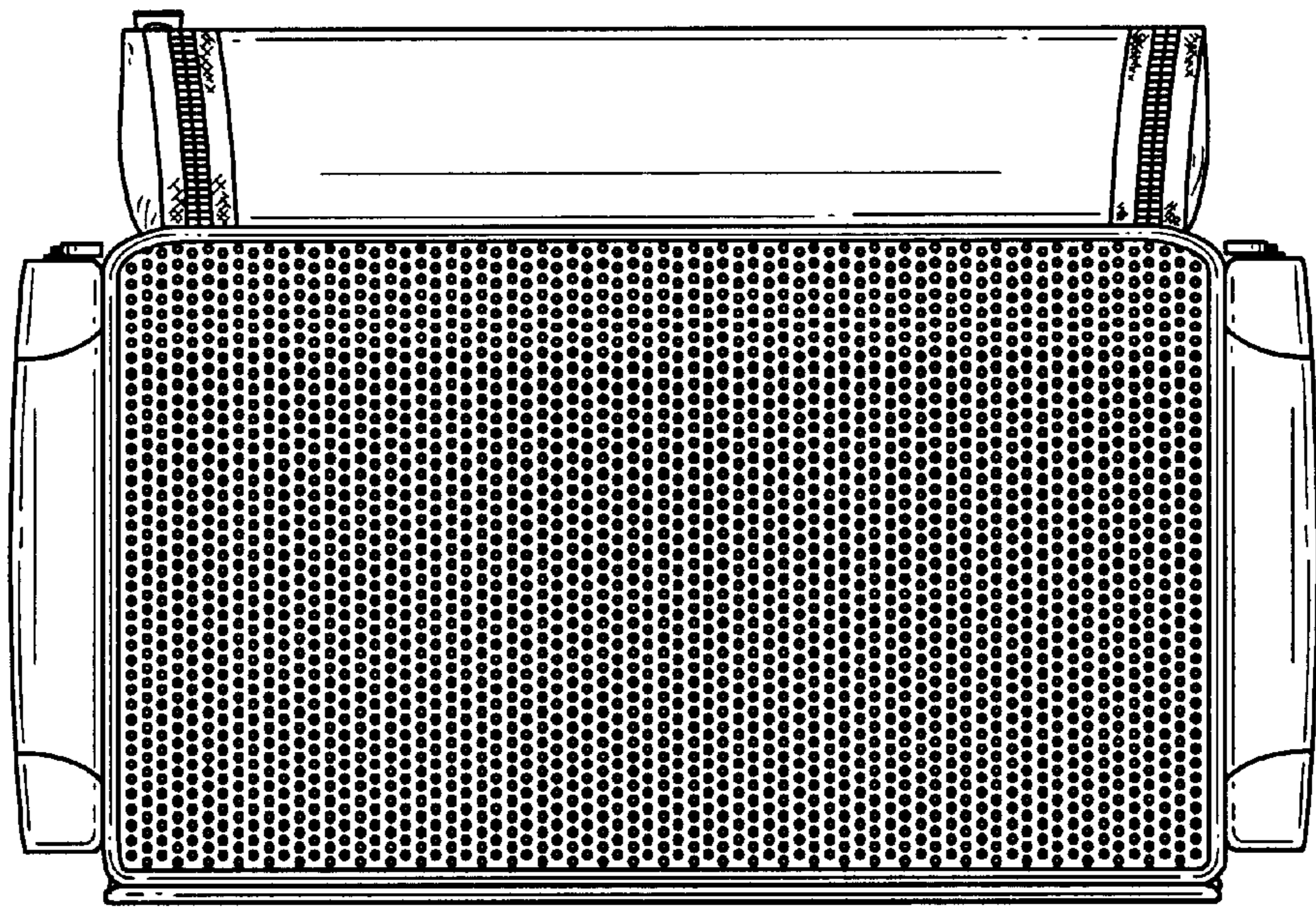


FIG. 7