



US00D476477S

(12) **United States Design Patent**  
**DeChant**

(10) **Patent No.:** **US D476,477 S**

(45) **Date of Patent:** **\*\* Jul. 1, 2003**

(54) **MINIATURE GOLF BAG TRAVEL ORGANIZER**

(76) **Inventor:** **Daniel A. DeChant**, 5434 Bremer Rd., McFarland, WI (US) 53558

(\*\*) **Term:** **14 Years**

(21) **Appl. No.:** **29/162,326**

(22) **Filed:** **Jun. 12, 2002**

**Related U.S. Application Data**

(63) Continuation of application No. 29/130,967, filed on Oct. 12, 2000, now Pat. No. Des. 459,070, which is a continuation of application No. 09/474,646, filed on Dec. 29, 1999, now Pat. No. 6,196,718, which is a continuation of application No. 09/127,470, filed on Jul. 31, 1998, now Pat. No. 6,039,474.

(51) **LOC (7) Cl.** ..... **03-01**

(52) **U.S. Cl.** ..... **D3/205**

(58) **Field of Search** ..... D3/201, 205, 255, D3/270; 190/107, 110, 109, 111, 113, 903; 383/66, 97, 4, 907, 23, 39, 117; 206/315, 315.1, 315.3, 315.4, 581; 132/286, 315; D9/307; D7/606, 510, 511, 515

(56) **References Cited**

**U.S. PATENT DOCUMENTS**

2,165,665 A	7/1939	Thompson	.....	206/315.4
3,023,867 A	3/1962	Kotkins	.....	190/113
3,273,678 A	9/1966	Koret	.....	190/109
3,465,993 A	9/1969	Muehlhausen	.....	206/315
3,777,862 A	12/1973	Zipper	.....	190/107
3,944,032 A	3/1976	Samhammer et al.	.....	190/113
3,994,372 A	11/1976	Geller et al.	.....	190/107
4,210,186 A	7/1980	Belenson	.....	190/110
4,418,806 A	12/1983	Johnson	.....	190/111
D288,653 S	3/1987	Crymes	.....	D7/606
4,746,159 A	5/1988	Webb et al.	.....	206/315.1
4,821,853 A	4/1989	Young	.....	190/111
5,025,928 A	6/1991	Orosy et al.	.....	206/581
D323,242 S	1/1992	Costello	.....	D3/255
D324,975 S	3/1992	Miller	.....	D7/606

5,095,924 A	3/1992	Stanfield	.....	132/315
D327,422 S	6/1992	Laing	.....	D9/307
D328,688 S	8/1992	Palmer et al.	.....	D7/511
D330,631 S	11/1992	Ledbetter	.....	D3/255
5,265,719 A	11/1993	Wand	.....	190/111
D347,968 S	6/1994	Friedman	.....	D7/510
D348,567 S	7/1994	Dunn	.....	D3/255
D356,233 S	3/1995	Meier	.....	D7/515
5,425,449 A	6/1995	Boorady	.....	190/107
D366,812 S	2/1996	Collins et al.	.....	D3/255
5,538,137 A	7/1996	Deioma et al.	.....	190/111
5,544,743 A	8/1996	Hong	.....	206/315
5,572,792 A	11/1996	Garabedian	.....	206/315.3
5,584,422 A	12/1996	Bond-Madsen	.....	190/903
5,651,455 A	7/1997	Garcia	.....	383/117
D421,837 S	3/2000	Pradella	.....	D3/205
6,039,474 A	3/2000	DeChant	.....	383/66

**OTHER PUBLICATIONS**

Menards Brochure, Jun. 1998.  
SkyMall Catalog, Summer 1998.

*Primary Examiner*—Louis S. Zarfes  
*Assistant Examiner*—Monica A. Weingart  
(74) *Attorney, Agent, or Firm*—Teresa J. Welch; Jeffrey D. Peterson; Michael Best & Friedrich LLP

(57) **CLAIM**

The ornamental design for a miniature golf bag travel organizer, as shown and described.

**DESCRIPTION**

FIG. 1 is a perspective view of the miniature golf bag travel organizer showing my new design; FIG. 2 is a right side view thereof; FIG. 3 is a front view thereof; FIG. 4 is a left side view thereof; FIG. 5 is a top view thereof; and, FIG. 6 is a bottom view thereof.

The present application is directed to the design illustrated in the drawings. The broken line portions of the disclosure are for illustrative purposes only and form no part of the claimed design.

**1 Claim, 2 Drawing Sheets**

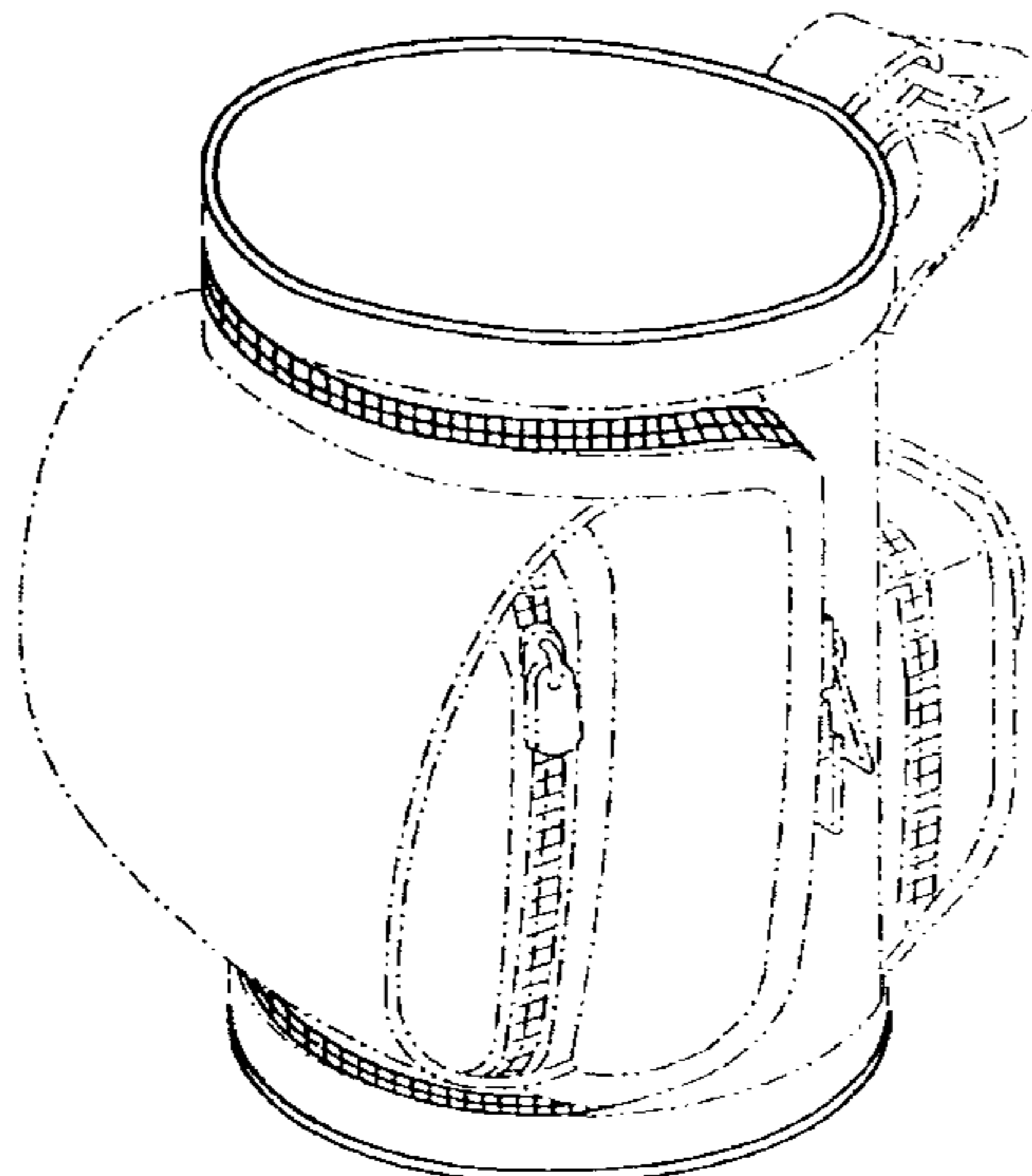


FIG. 1

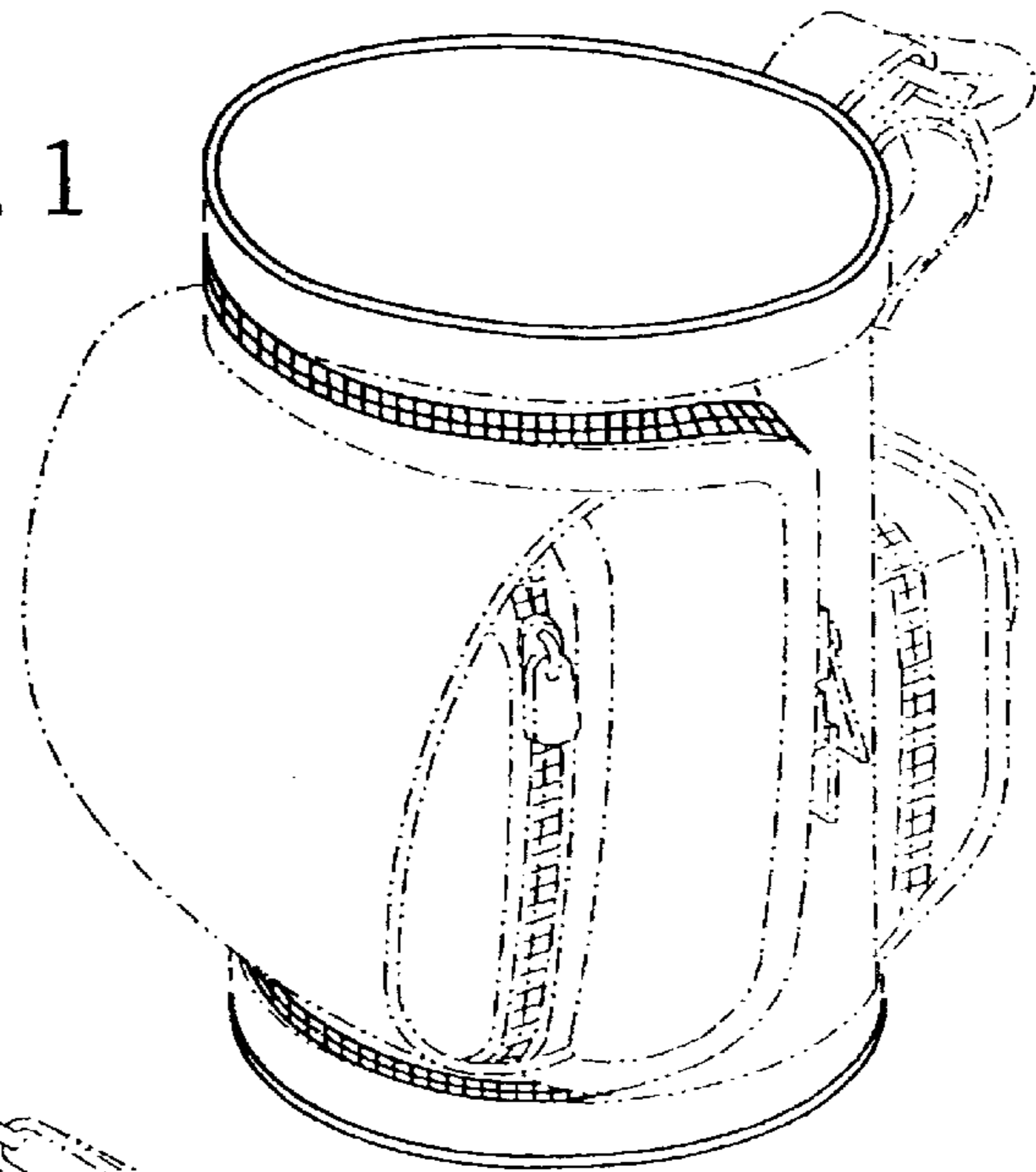


FIG. 2

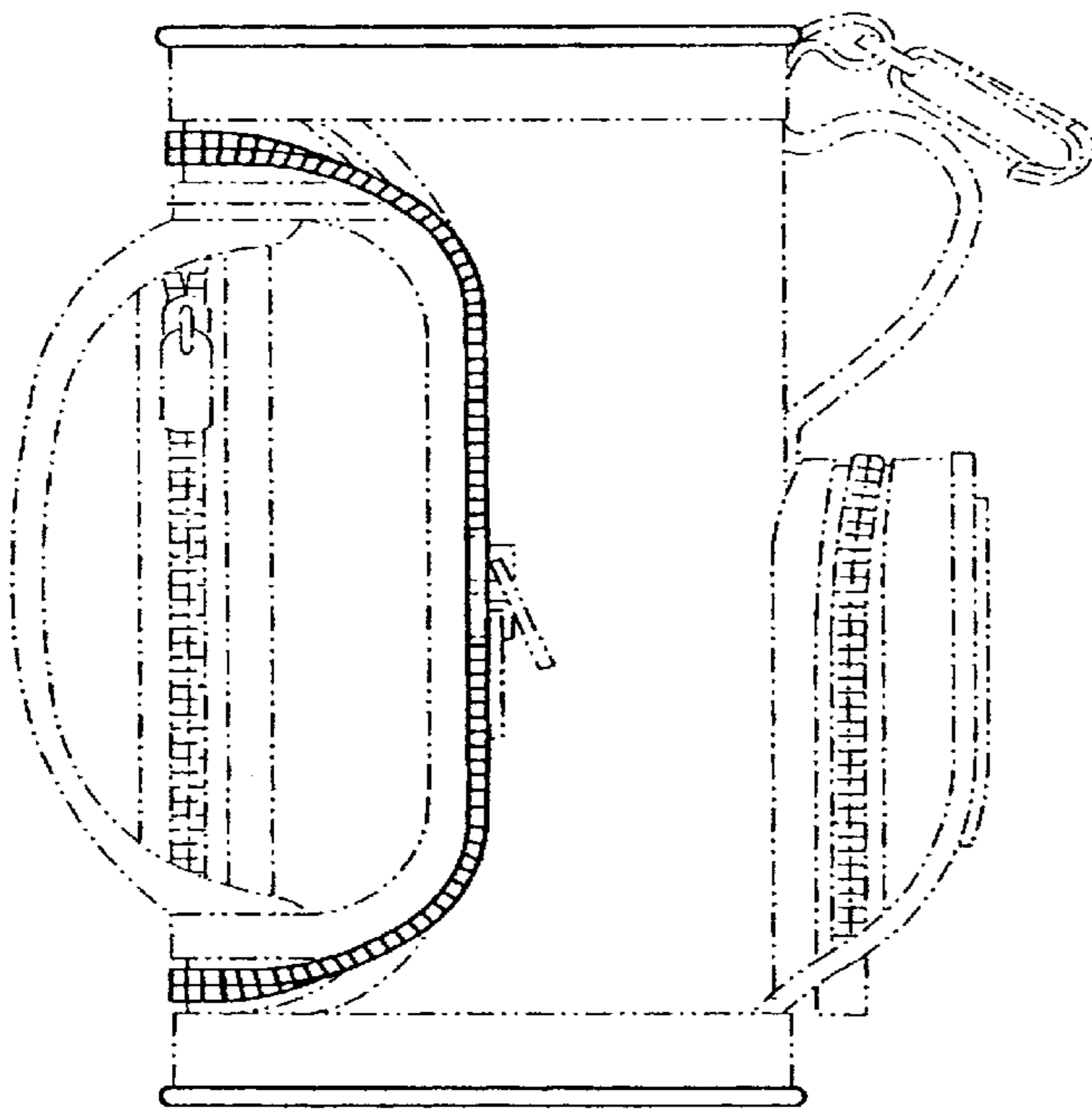


FIG. 3

