



US00D476476S

(12) **United States Design Patent**
Hansen

(10) **Patent No.:** **US D476,476 S**

(45) **Date of Patent:** **** Jul. 1, 2003**

(54) **STROLLER FOR A BASS VIOLIN**

(76) Inventor: **William E. Hansen**, 104 Harrison Hill Rd., Swannanoa, NC (US) 28778

(**) Term: **14 Years**

(21) Appl. No.: **29/162,564**

(22) Filed: **Jun. 17, 2002**

(51) **LOC (7) Cl.** **03-01**

(52) **U.S. Cl.** **D3/204**

(58) **Field of Search** D3/204; D34/23, D34/24; 84/280; 280/47.131, 5.2

(56) **References Cited**

U.S. PATENT DOCUMENTS

2,426,244	A	*	8/1947	Sitton	
2,670,969	A		3/1954	Costikyan	
2,736,225	A	*	2/1956	Marcus	84/280
3,603,608	A	*	9/1971	Kirkpatrick	280/47.131
D223,343	S	*	4/1972	Kirkpatrick	
3,809,231	A		5/1974	Palma et al.	
4,029,327	A		6/1977	Kolstein	
4,358,137	A	*	11/1982	Gramm	280/814
4,781,391	A		11/1988	Hartwig	
5,026,078	A	*	6/1991	Pinckney	280/5.2
5,181,731	A		1/1993	Gustavsen	
5,823,551	A	*	10/1998	Conroy	280/47.131
6,142,492	A		11/2000	DeLucia	

* cited by examiner

Primary Examiner—Celia Murphy

(74) *Attorney, Agent, or Firm*—Carter Schnedler & Monteith, P.A.

(57) **CLAIM**

The ornamental design for a stroller for a bass violin, as shown and described.

DESCRIPTION

FIG. 1 is a perspective view of a stroller for a bass violin showing my new design with the bass violin being shown by broken lines which are for illustrative purposes only, forming no part of the claim;

FIG. 2 is a perspective view with the bass violin not shown; FIG. 3 is a left side elevational view of FIG. 2 with the straps extending straight out from the carriage;

FIG. 4 is a right side elevational view of FIG. 2 with the straps extending straight out from the carriage;

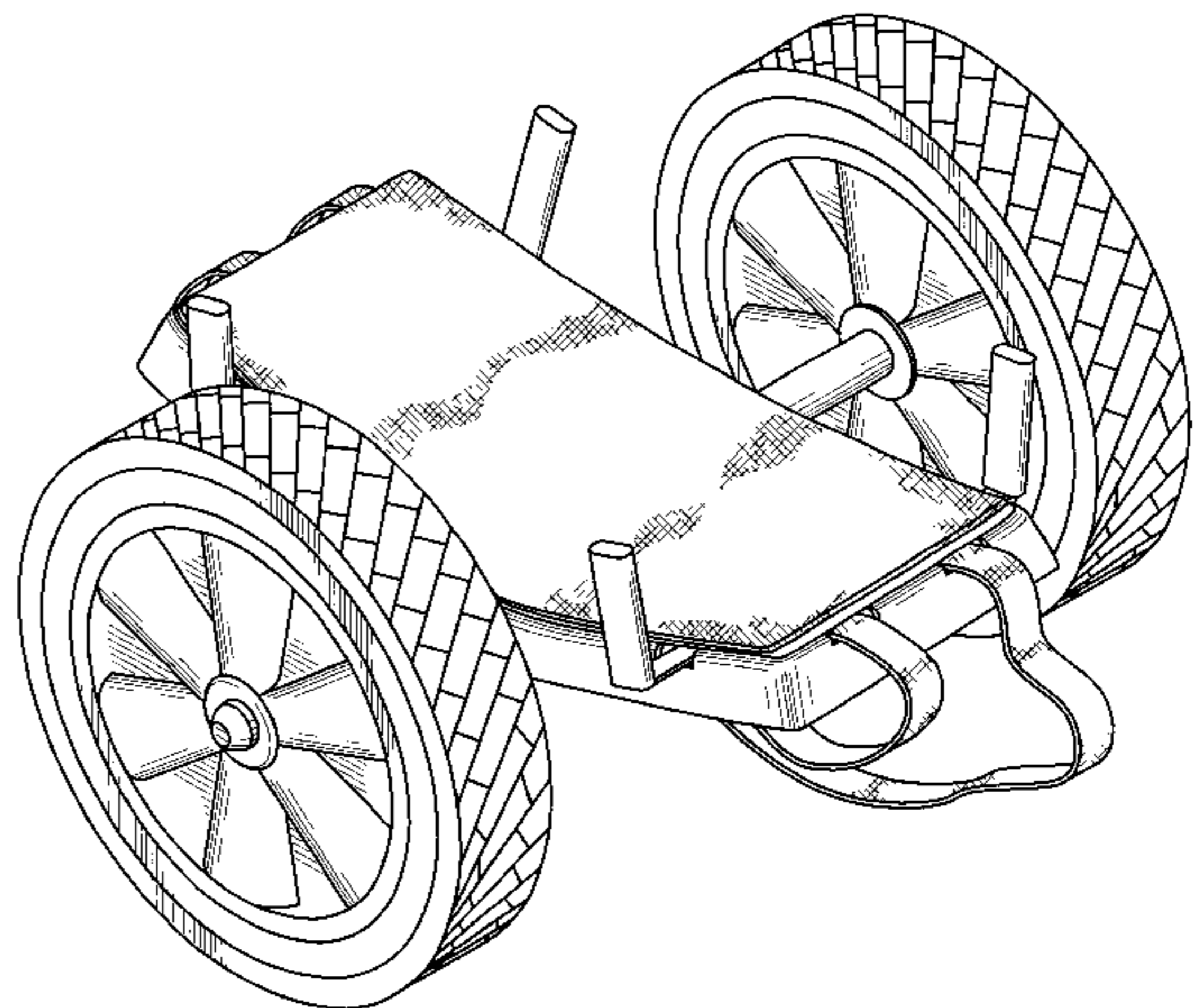
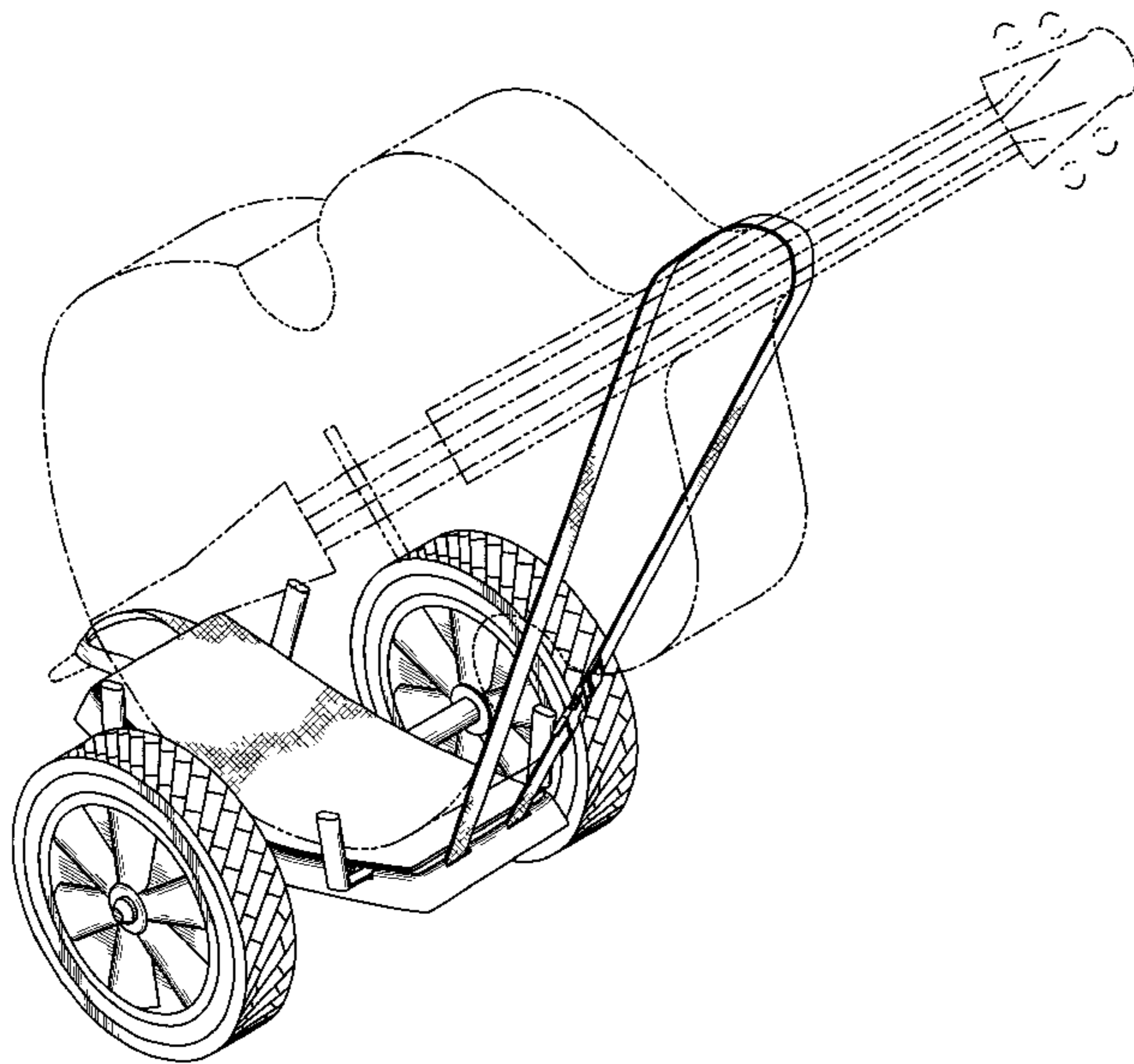
FIG. 5 is a top view of FIG. 2 with the straps tucked under the carriage;

FIG. 6 is a front view of FIG. 2 with the straps laying on top of the carriage;

FIG. 7 is a rear view of FIG. 2 with the straps laying on top of the carriage; and,

FIG. 8 is a bottom view of FIG. 2 with the straps extending straight out from the carriage.

1 Claim, 6 Drawing Sheets



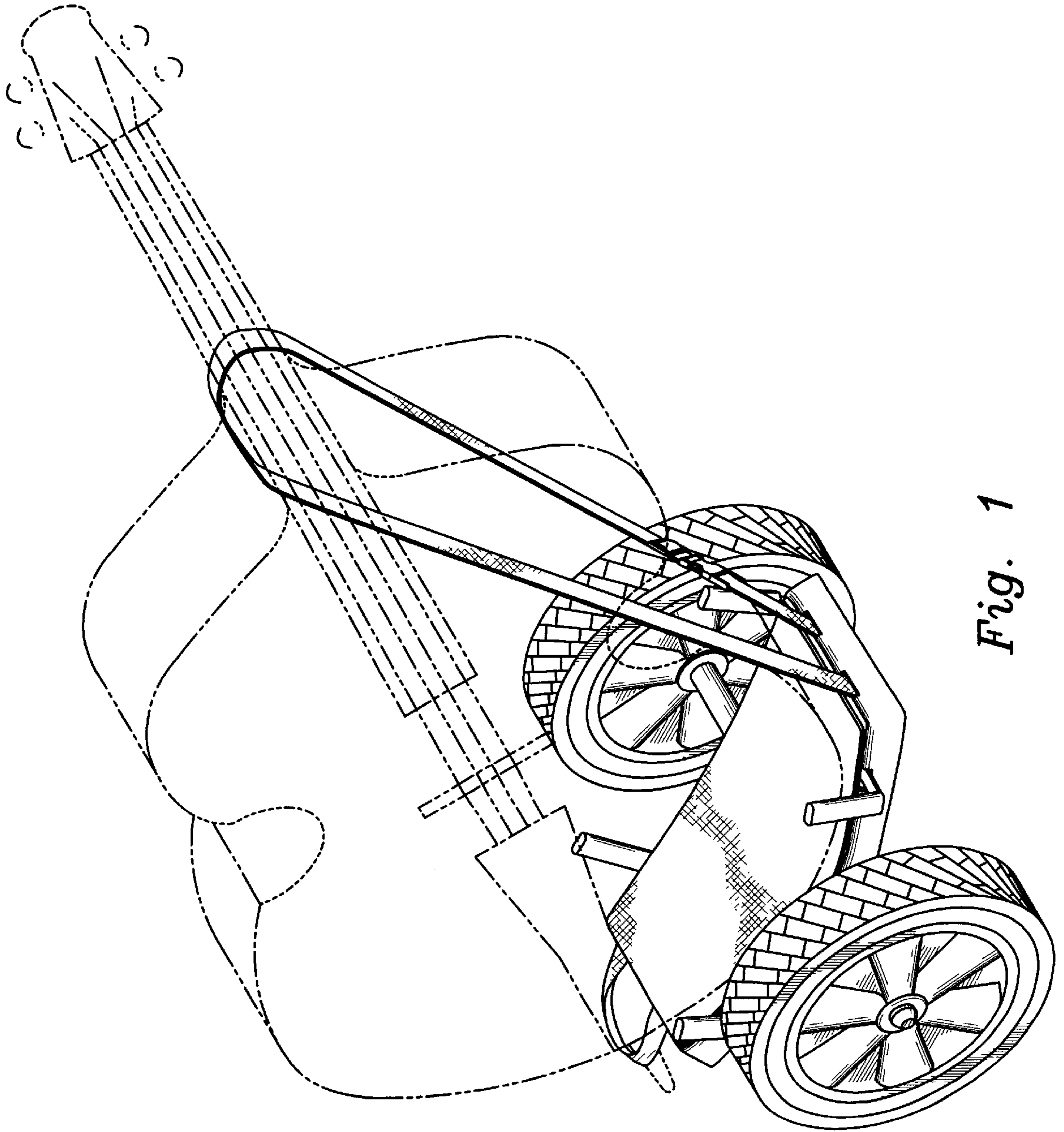


Fig. 1

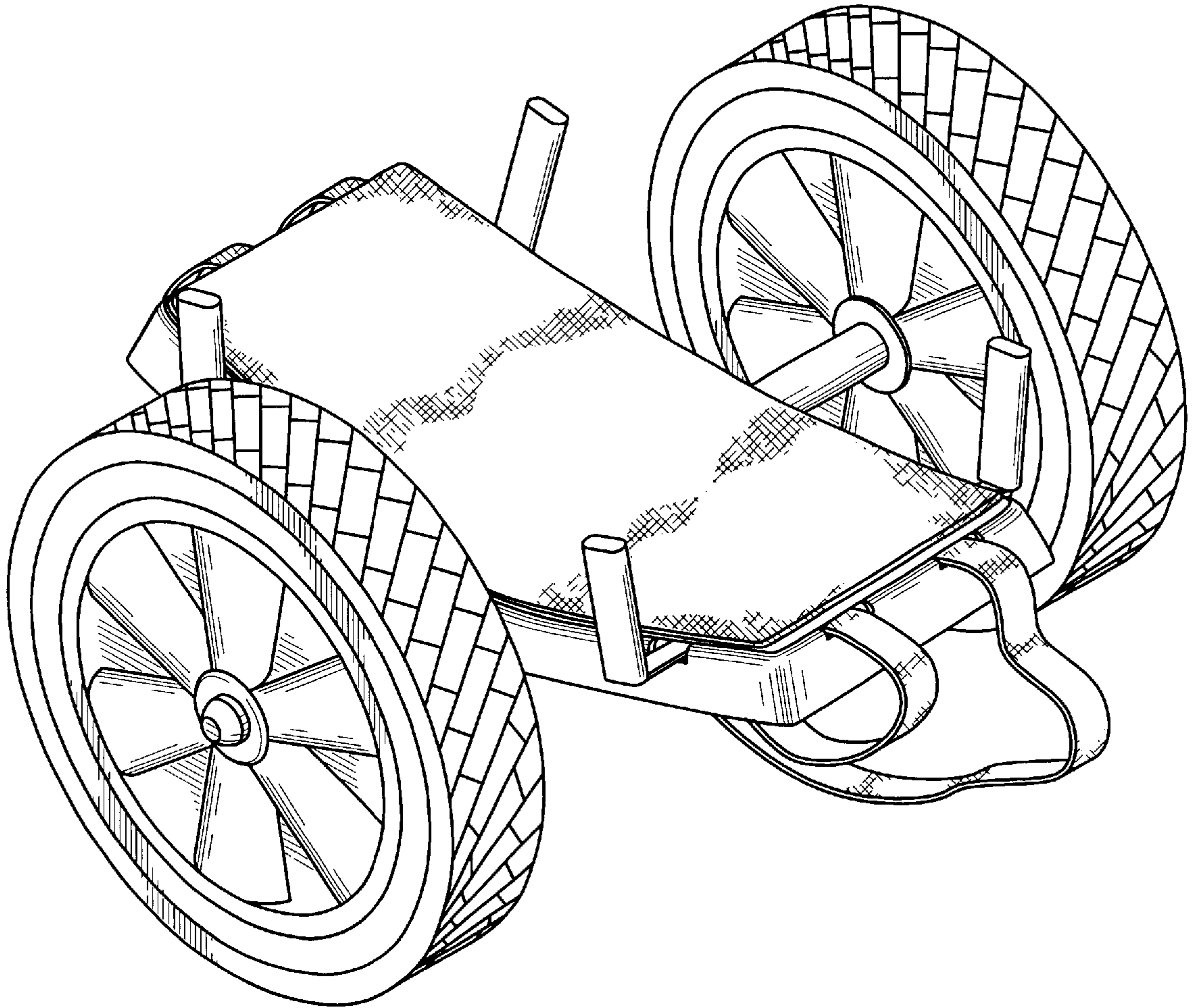


Fig. 2

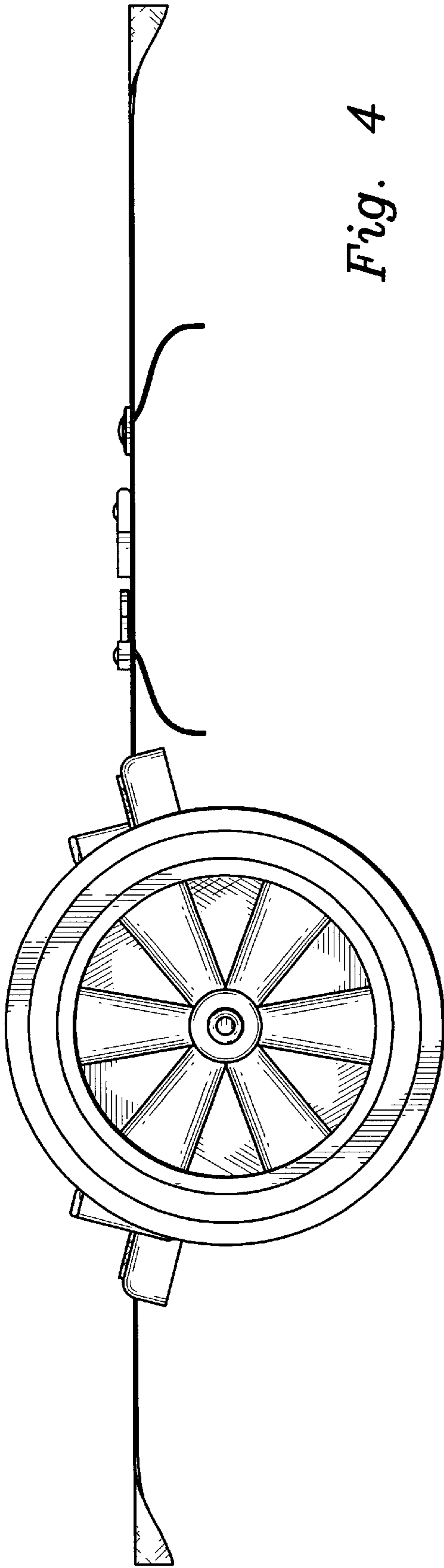


Fig. 4

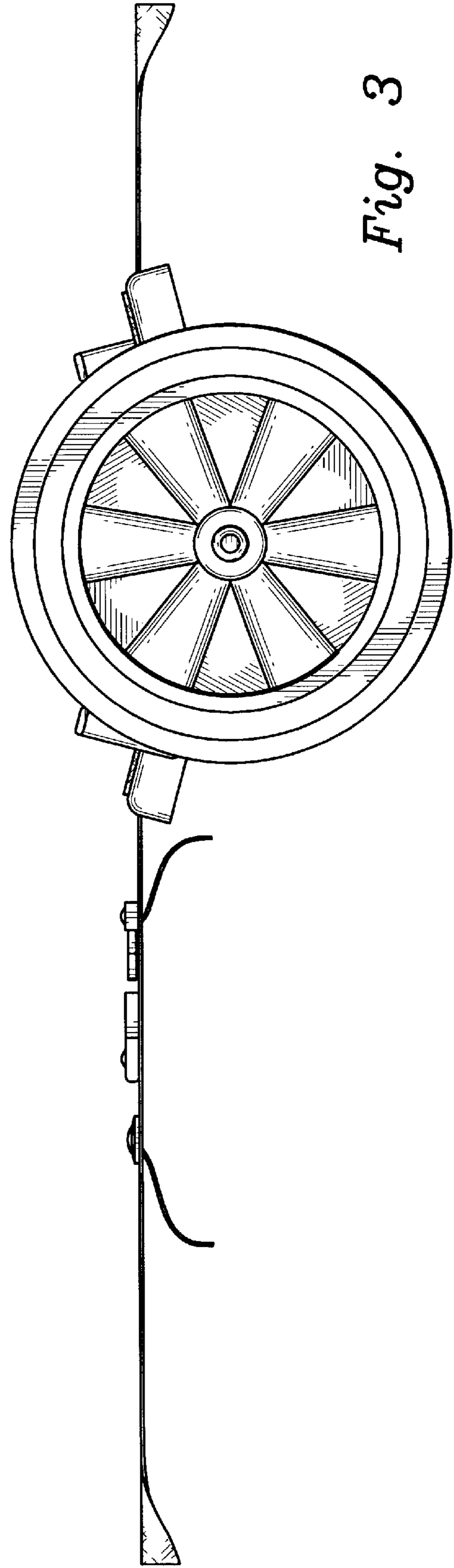


Fig. 3

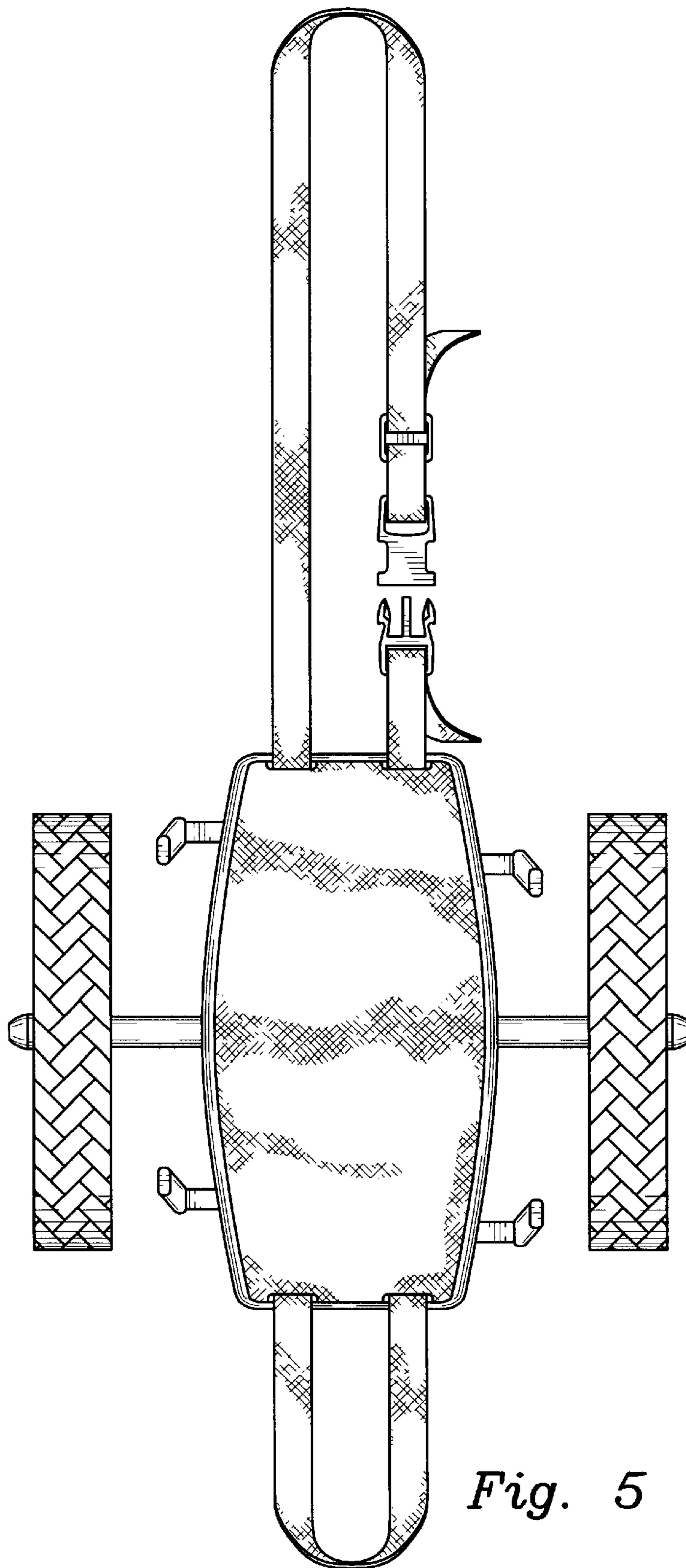


Fig. 5

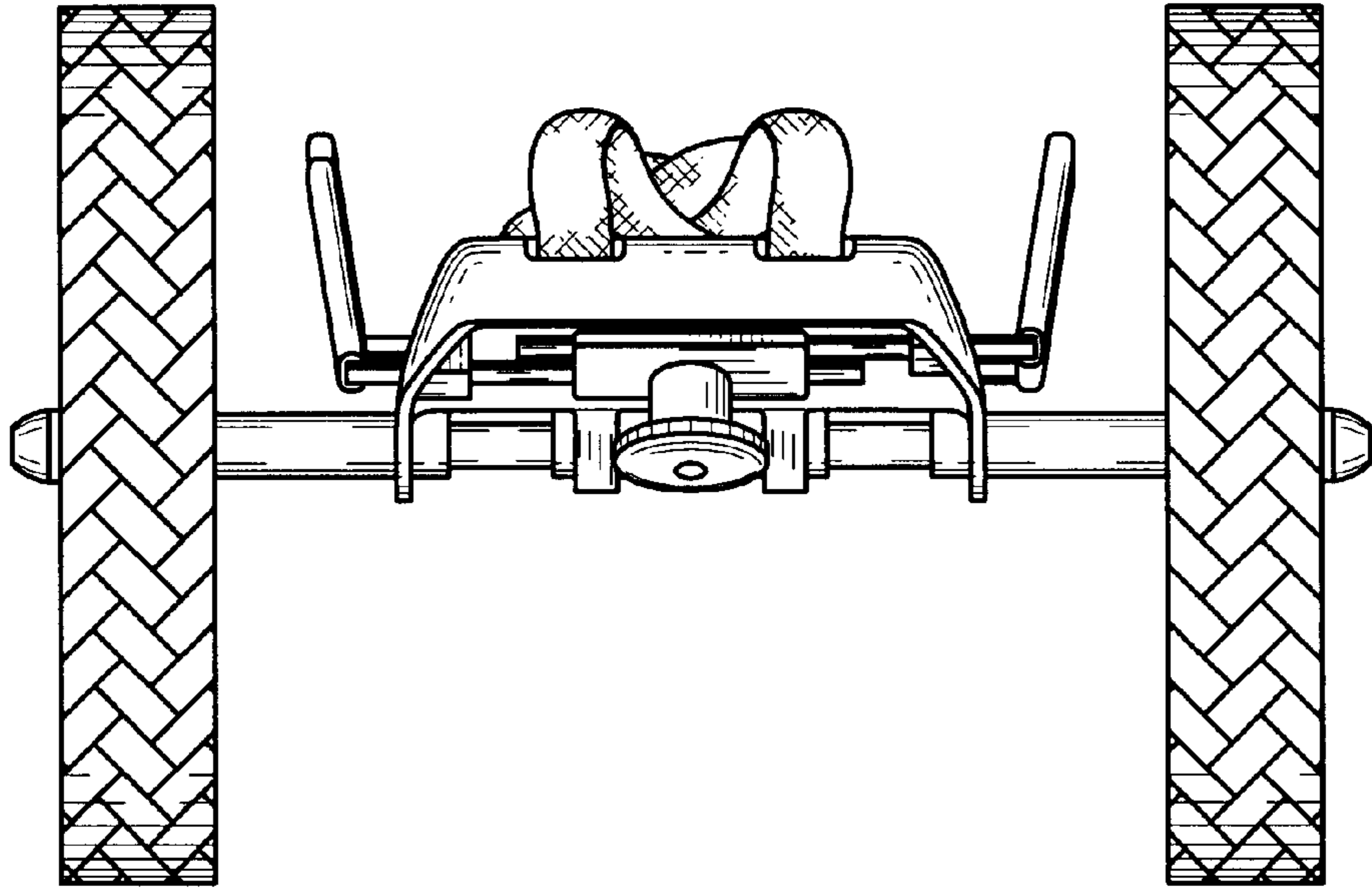


Fig. 6

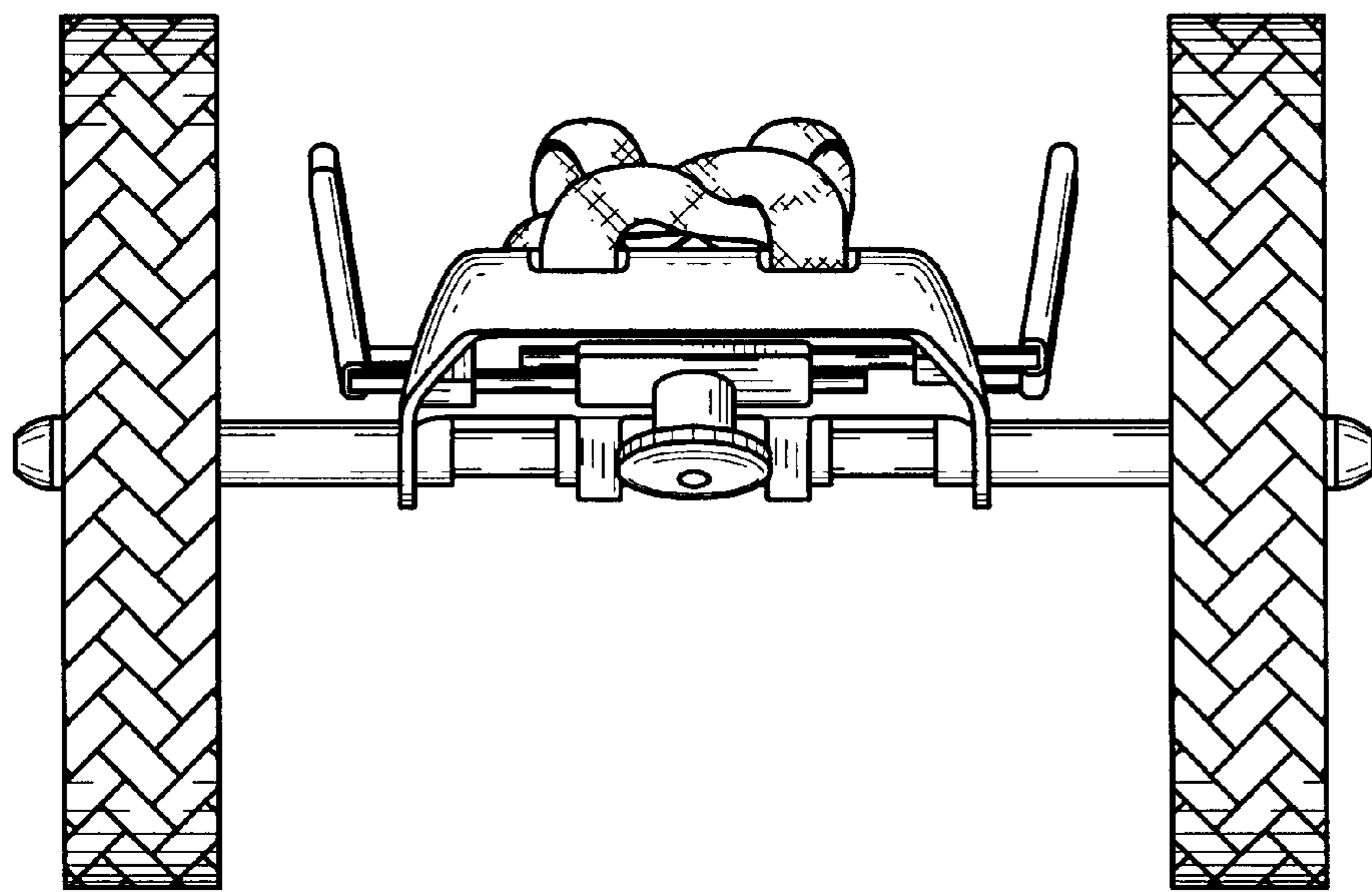


Fig. 7

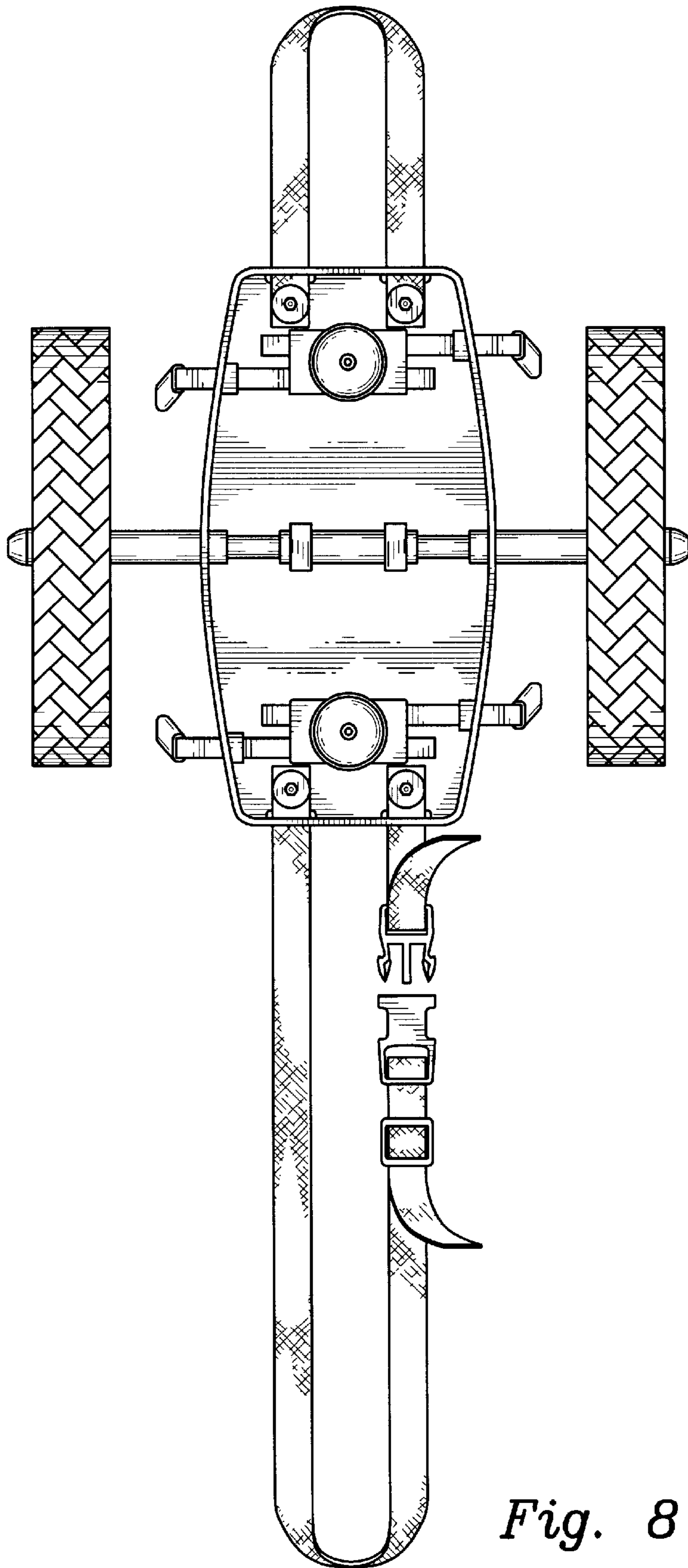


Fig. 8