



US00D476475S

(12) **United States Design Patent**
You

(10) **Patent No.:** **US D476,475 S**

(45) **Date of Patent:** **** Jul. 1, 2003**

(54) **GOLF BAG UMBRELLA**

6,263,891 B1 * 7/2001 Hartwell et al. 135/15.1 X
6,502,283 B1 * 1/2003 Aguirre 135/65 X

(76) Inventor: **Ching-Chuan You**, c/o Percy
International Patent Corp. P. O. BOX
1-79, Taipei (TW)

* cited by examiner

(**) Term: **14 Years**

Primary Examiner—Louis S. Zarfaz
Assistant Examiner—Robert A. Delehanty

(21) Appl. No.: **29/170,503**

(57) **CLAIM**

(22) Filed: **Nov. 7, 2002**

The ornamental design for a golf bag umbrella, as shown.

(51) **LOC (7) Cl.** **03-03**

DESCRIPTION

(52) **U.S. Cl.** **D3/5**

FIG. 1 is a perspective view of the golf bag umbrella of this invention;

(58) **Field of Search** D3/5, 6, 10, 12,
D3/13, 14, 16, 17; 135/98, 15.1, 16, 22,
24, 65, 910, 911

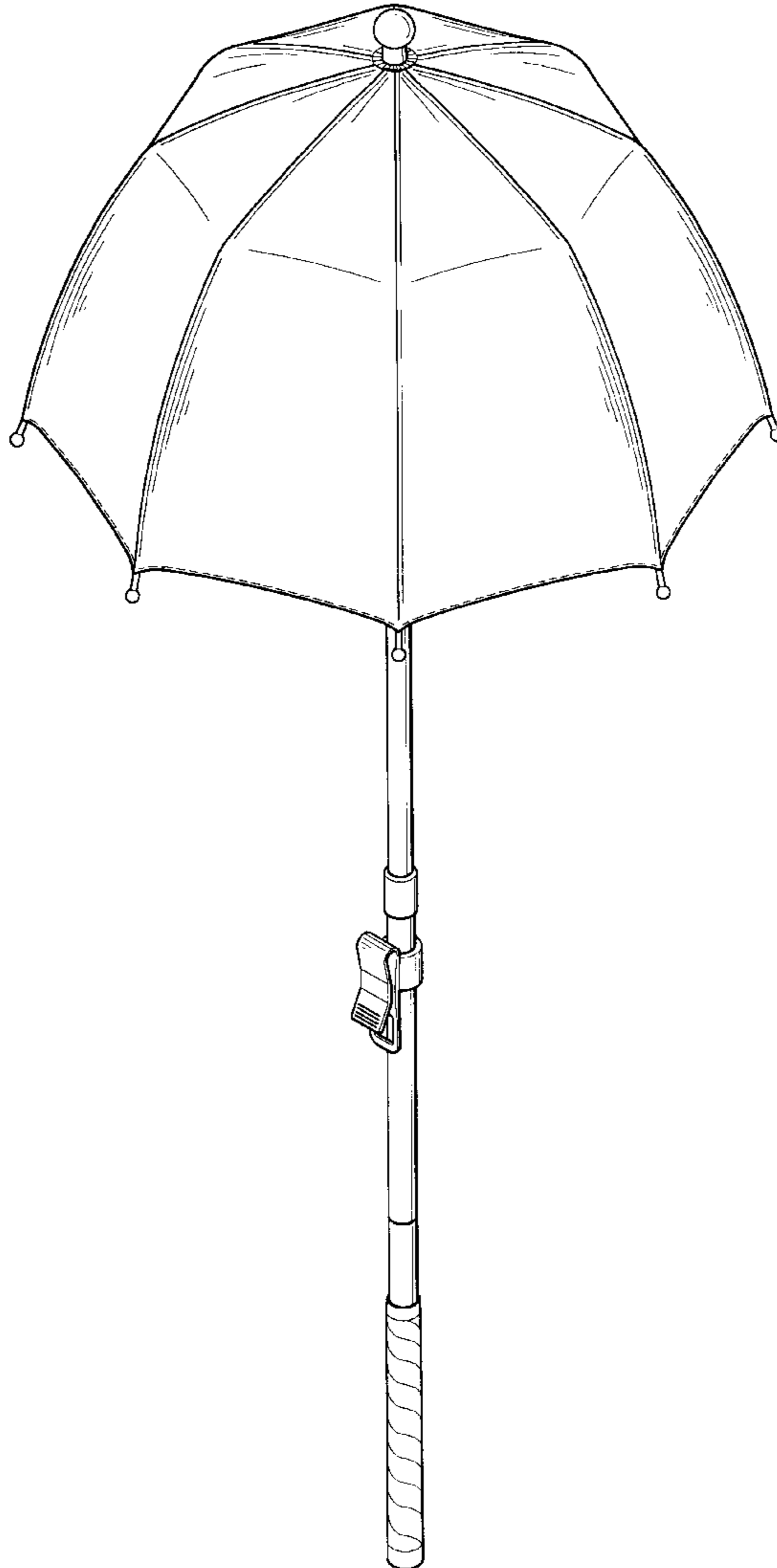
FIG. 2 is a front view thereof;
FIG. 3 is a rear view thereof;
FIG. 4 is a left view thereof;
FIG. 5 is a right view thereof;
FIG. 6 is a top view thereof; and,
FIG. 7 is a bottom view thereof.

(56) **References Cited**

U.S. PATENT DOCUMENTS

3,866,934 A * 2/1975 Braun 135/16 X
D370,336 S * 6/1996 Rosier D3/5

1 Claim, 6 Drawing Sheets



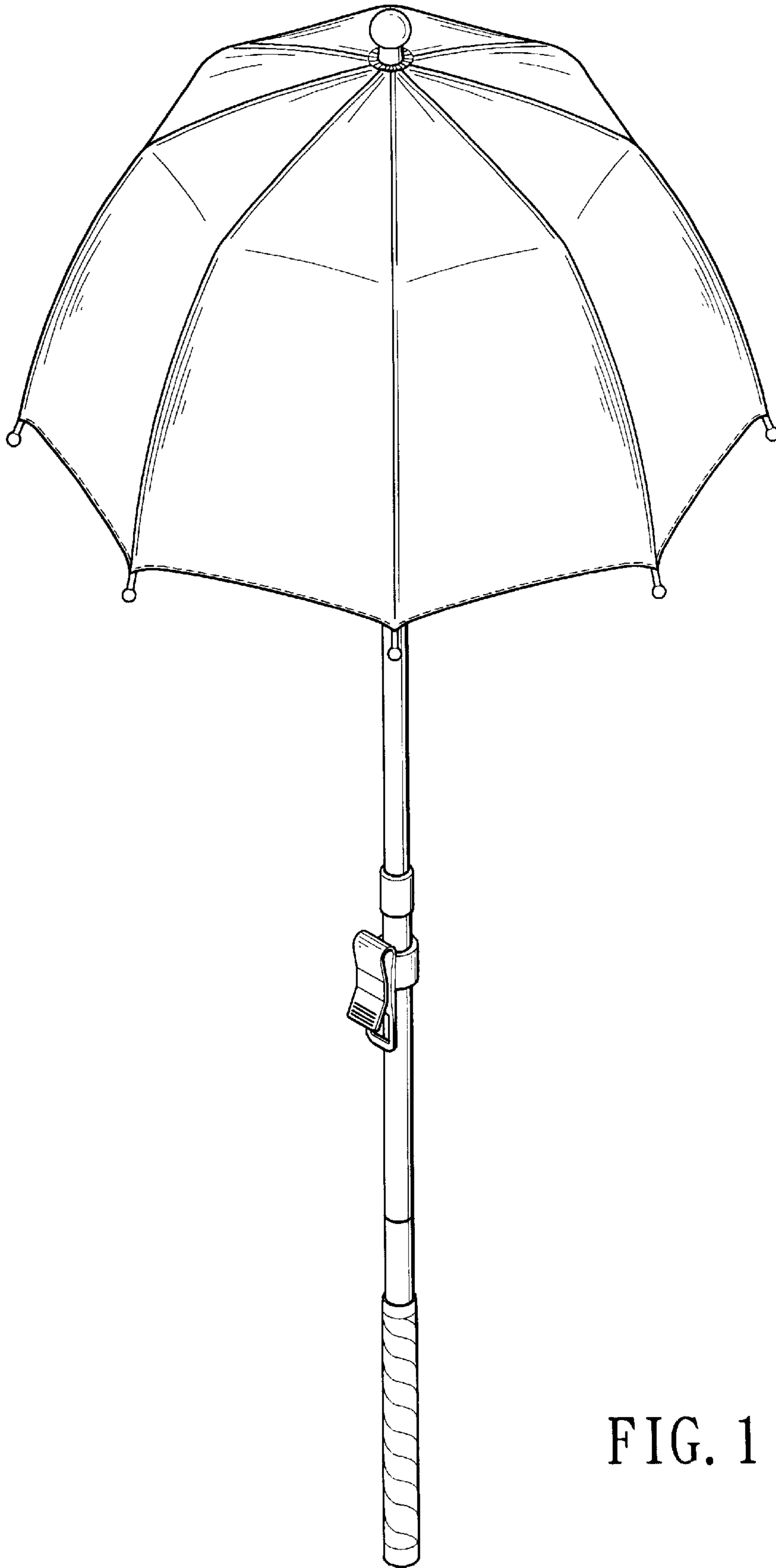


FIG. 1

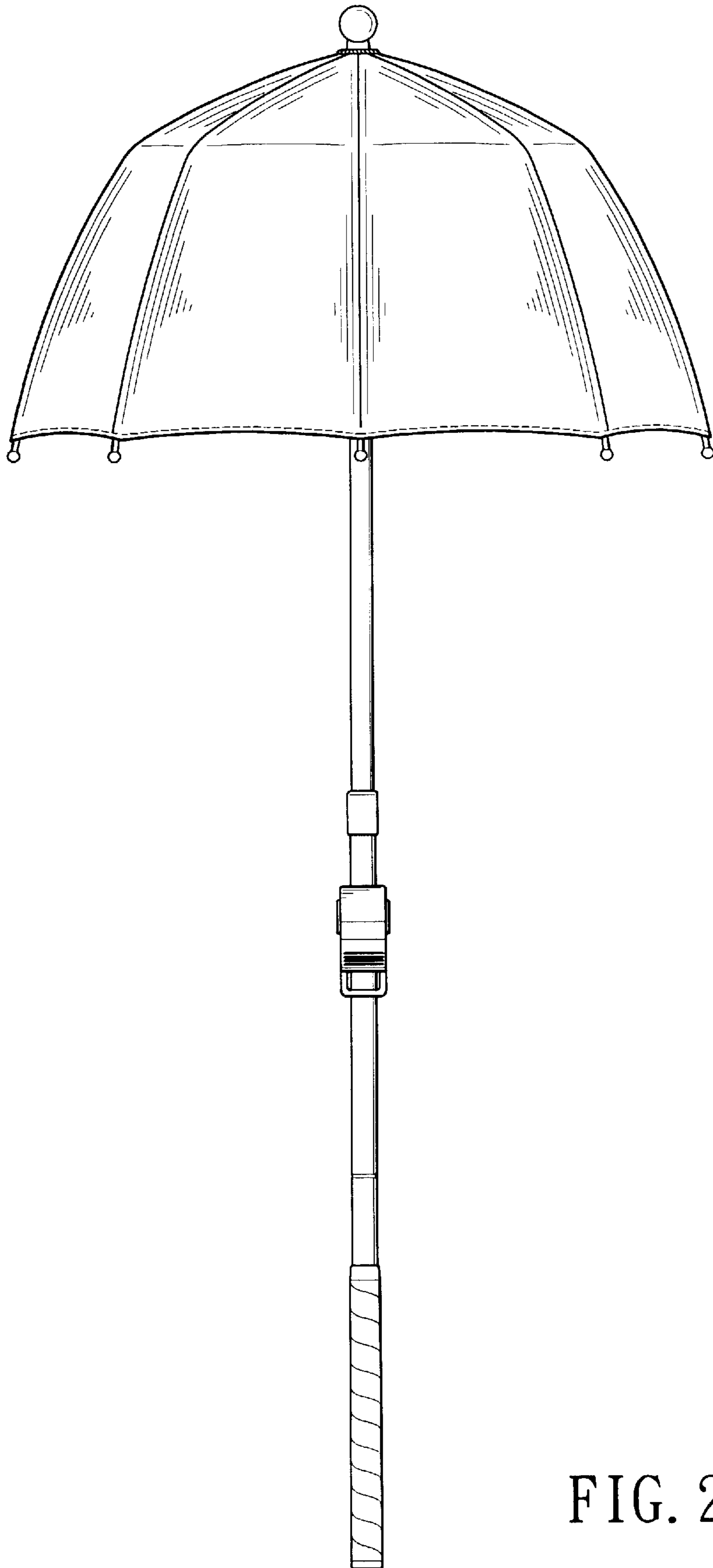


FIG. 2

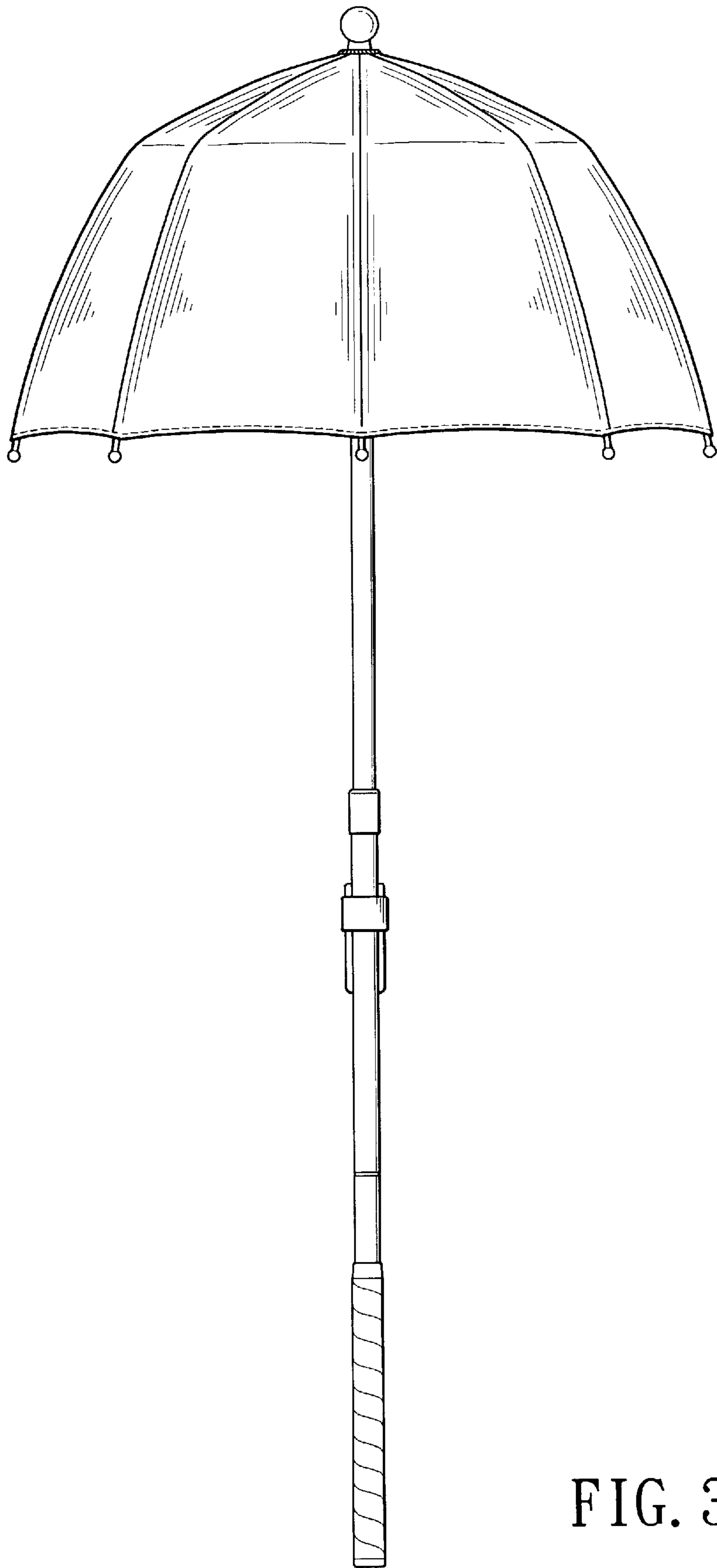


FIG. 3

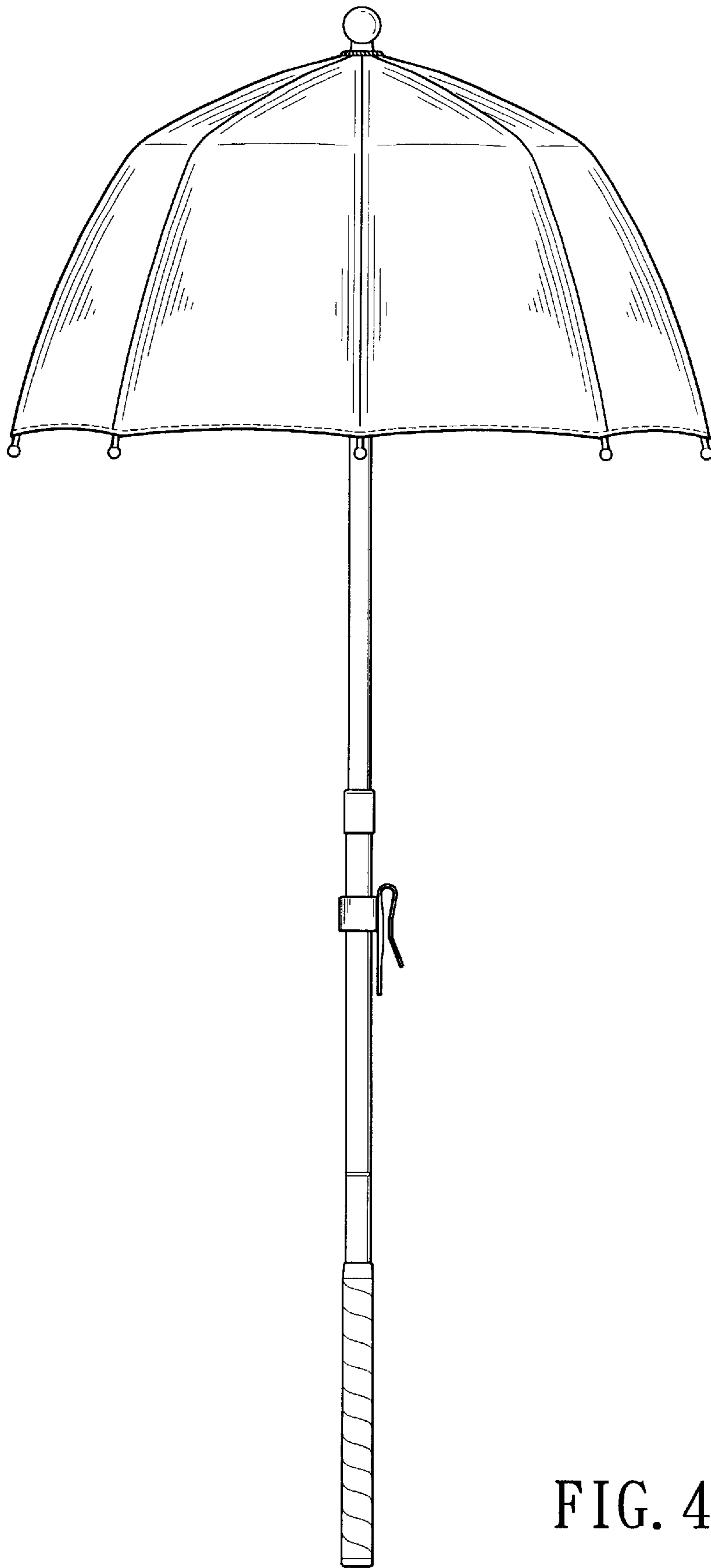


FIG. 4

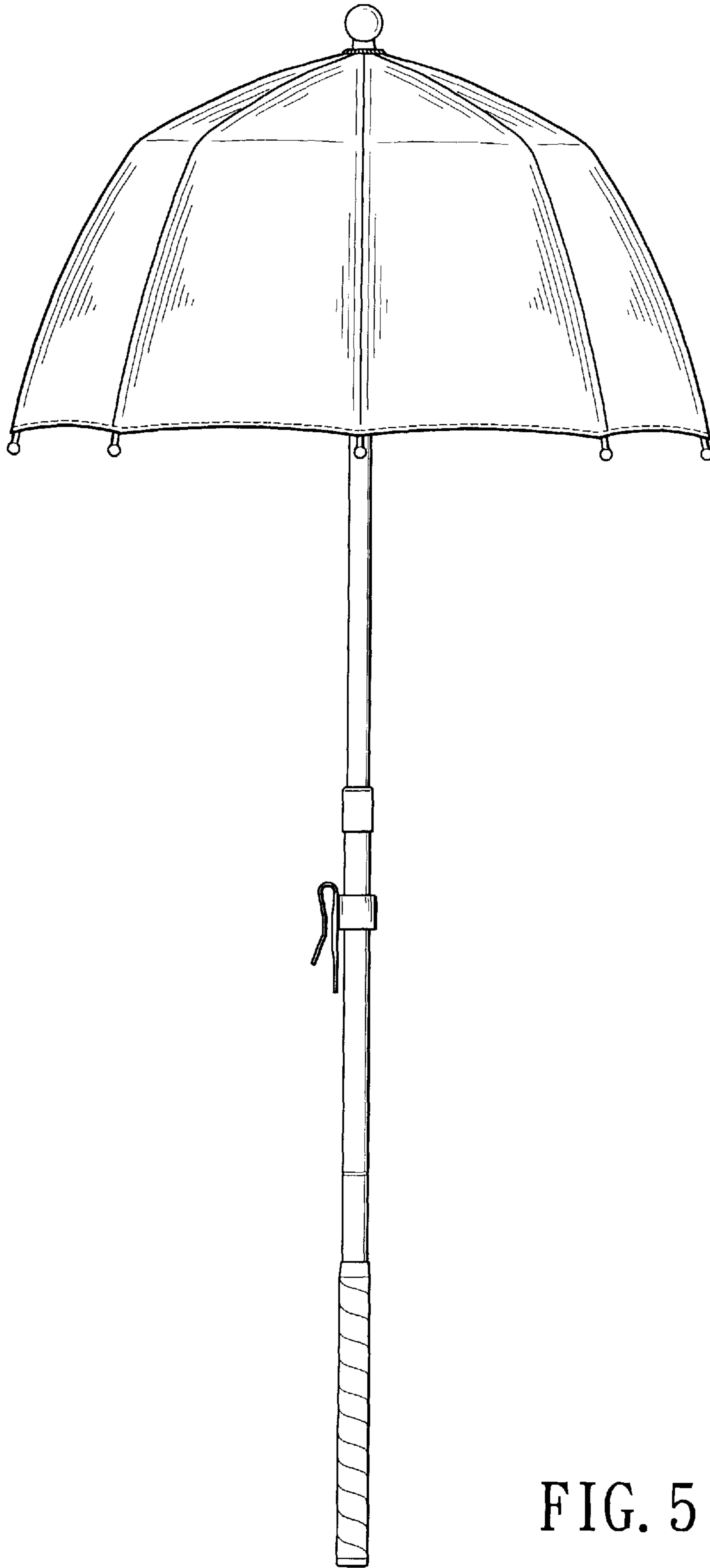


FIG. 5

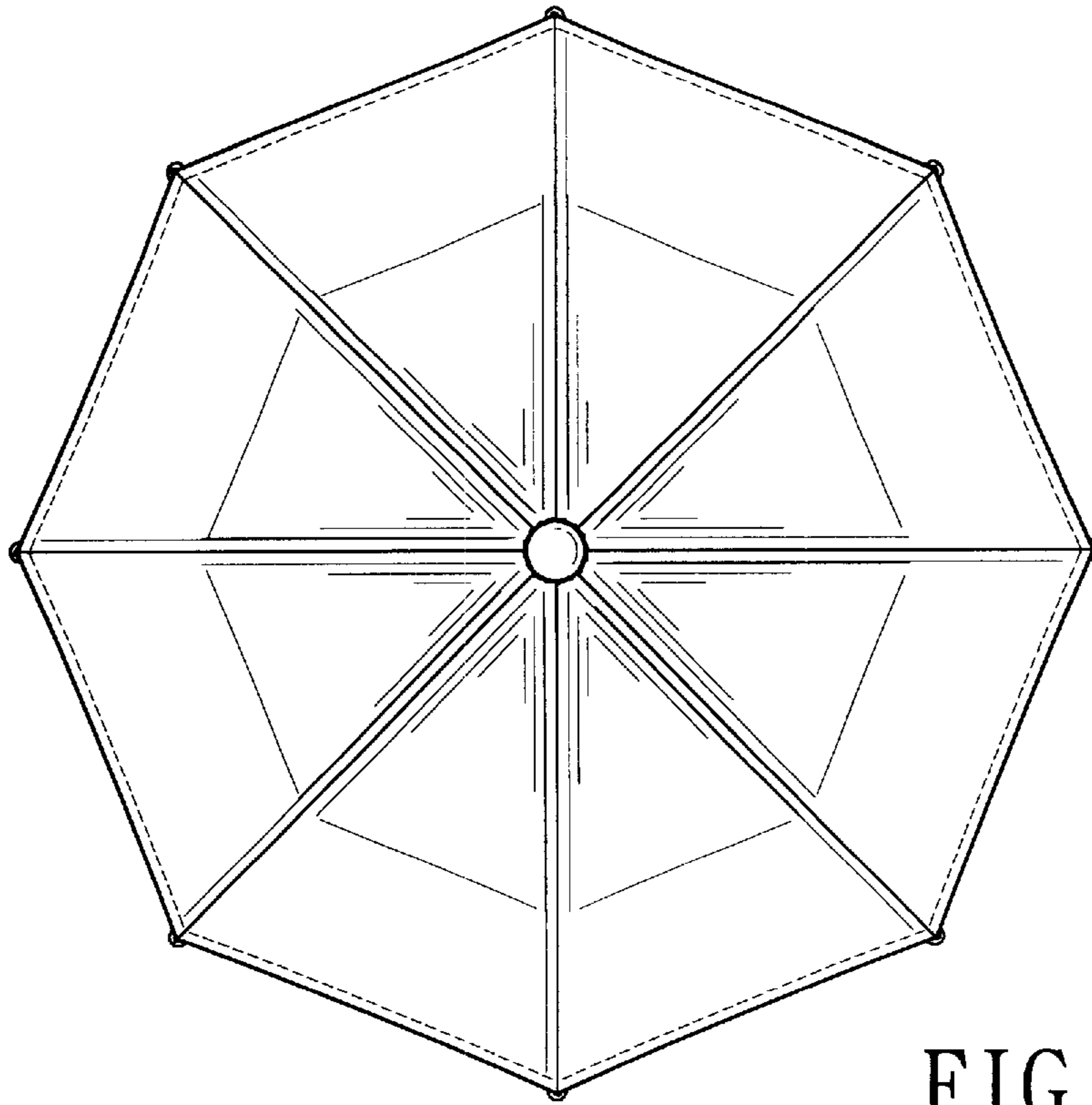


FIG. 6

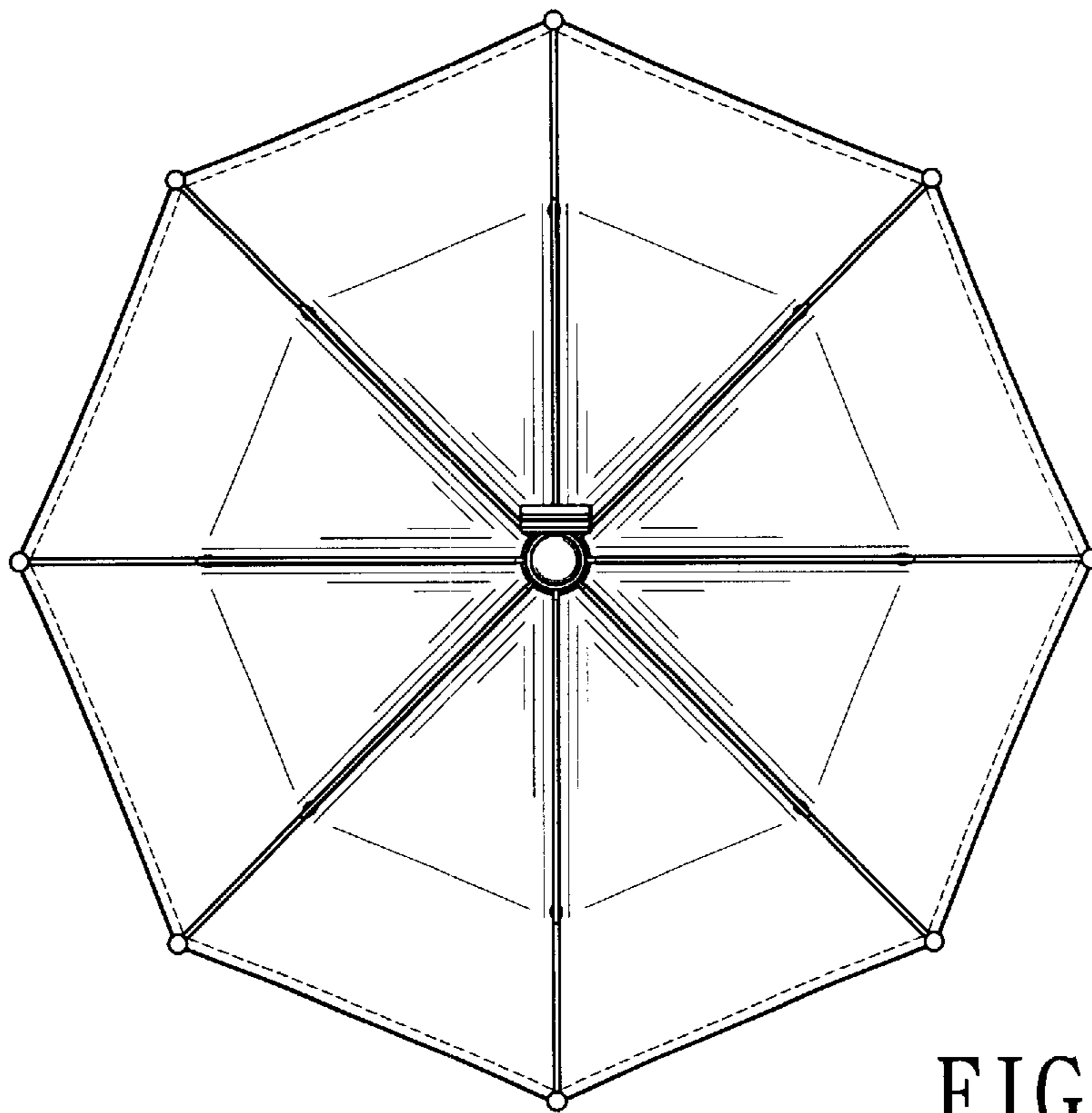


FIG. 7