



US00D476461S

(12) **United States Design Patent**
Dries

(10) **Patent No.:** **US D476,461 S**

(45) **Date of Patent:** **** Jun. 24, 2003**

(54) **OFFSET SWIVEL JACK**

(75) Inventor: **John Dries**, Louisville, KY (US)

(73) Assignee: **Shelby Industries, Inc.**, Shelbyville, KY (US)

(**) Term: **14 Years**

(21) Appl. No.: **29/162,598**

(22) Filed: **Jun. 18, 2002**

(51) **LOC (7) Cl.** **12-05**

(52) **U.S. Cl.** **D34/31**

(58) **Field of Search** D34/28, 31; 280/475,
280/403; 254/420

(56) **References Cited**

U.S. PATENT DOCUMENTS

2,638,315	A	*	5/1953	Wagner	254/420
2,759,682	A	*	8/1956	Garnett	254/420
2,788,227	A	*	4/1957	Wallace	280/475
2,865,658	A		12/1958	Dubuque		
2,885,181	A		5/1959	McCully et al.		
3,314,692	A		4/1967	Karns		
3,345,037	A	*	10/1967	Sweetland	254/420
3,351,321	A	*	11/1967	Grams et al.	254/420
D211,013	S	*	5/1968	Watson	D34/31
D212,800	S	*	11/1968	Kimball	D34/31
3,425,714	A		2/1969	Morris		
3,434,735	A	*	3/1969	Bernard	280/403
3,443,268	A	*	5/1969	Symes	280/475
3,482,847	A	*	12/1969	Hart	280/403
3,807,767	A	*	4/1974	Moline	280/475
3,841,663	A	*	10/1974	Profit	280/475
3,851,855	A	*	12/1974	Douglass	254/420
3,902,733	A	*	9/1975	David	280/475
3,934,852	A	*	1/1976	Weber et al.	254/420
3,944,259	A	*	3/1976	Miller	280/475

3,997,191	A	*	12/1976	Morgan	280/475
4,623,125	A	*	11/1986	Ebey	254/420
4,702,458	A	*	10/1987	Kendrick	254/403
4,871,183	A		10/1989	Moss		
4,978,104	A	*	12/1990	Gipson, Jr.	254/420
5,067,692	A	*	11/1991	Nudd et al.	254/420
5,282,605	A	*	2/1994	Sauber	254/420
D348,340	S	*	6/1994	Collins, Jr. et al.	D34/31
D349,386	S	*	8/1994	Piebenga	D34/31
5,435,523	A	*	7/1995	Hying et al.	254/420
5,518,262	A	*	5/1996	Hutchinson et al.	280/475
5,785,330	A	*	7/1998	Shoquist	280/475
6,206,401	B1	*	3/2001	Osterback	280/475
RE37,492	E	*	1/2002	Shoquist	280/475

* cited by examiner

Primary Examiner—Cynthia E. Ramirez

(74) *Attorney, Agent, or Firm*—Camoriano and Associates;
Theresa Fritz Camoriano

(57) **CLAIM**

The ornamental design for an offset swivel jack, as shown and described.

DESCRIPTION

FIG. 1 is a front view of an offset swivel jack showing my ornamental design, with a portion of a trailer tongue shown in phantom to show the environment in which the jack is used;

FIG. 2 is a back view thereof;

FIG. 3 is a left side view thereof;

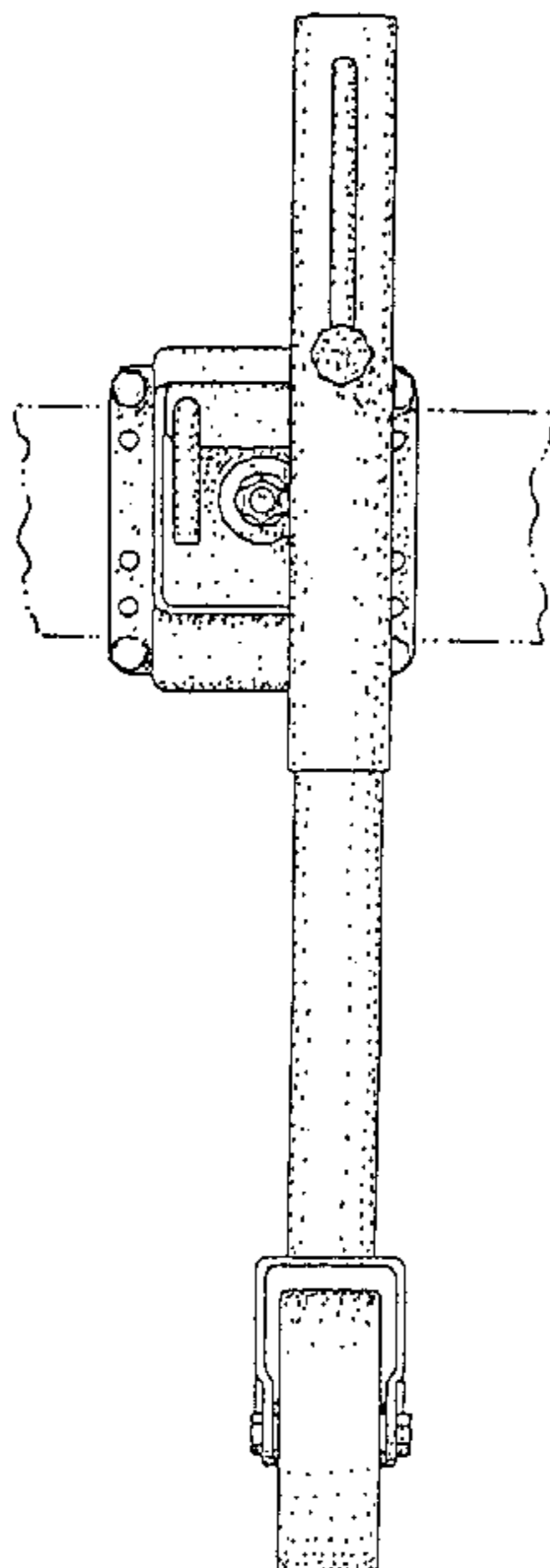
FIG. 4 is a right side view thereof;

FIG. 5 is a top view thereof; and,

FIG. 6 is a bottom view thereof.

The broken line showing of a portion of a trailer tongue in FIG. 1 is for illustrative purposes only and forms no part of the claimed design.

1 Claim, 2 Drawing Sheets



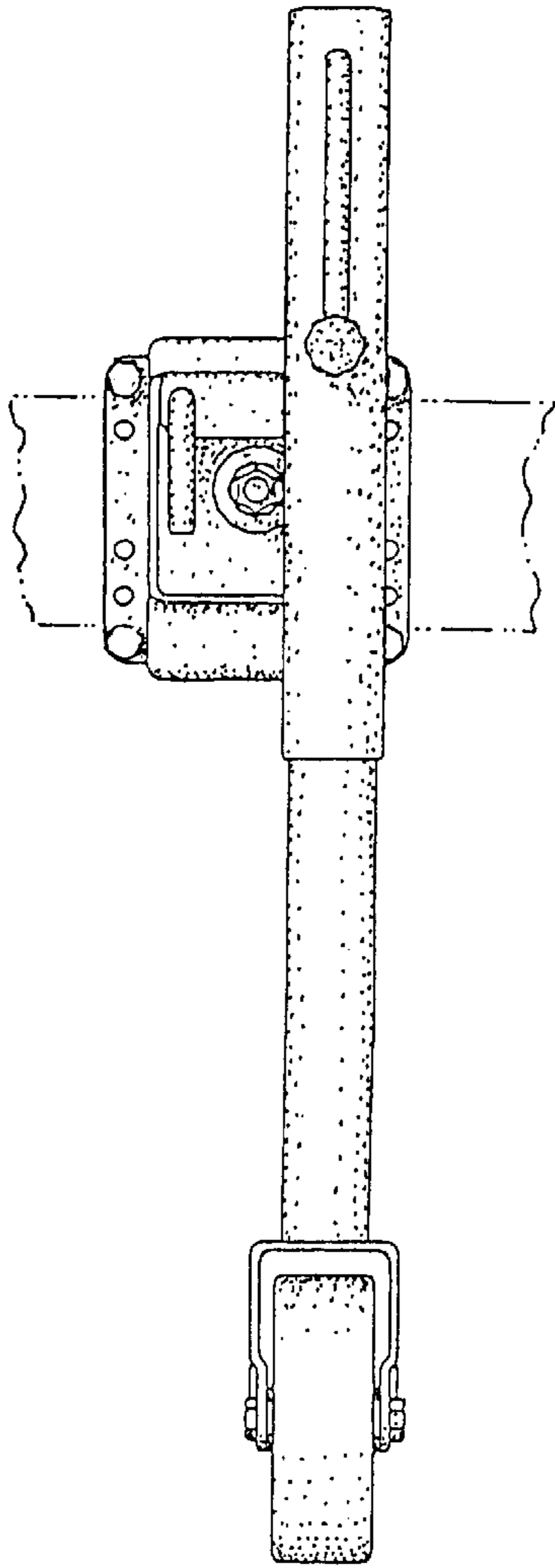


FIG. 1

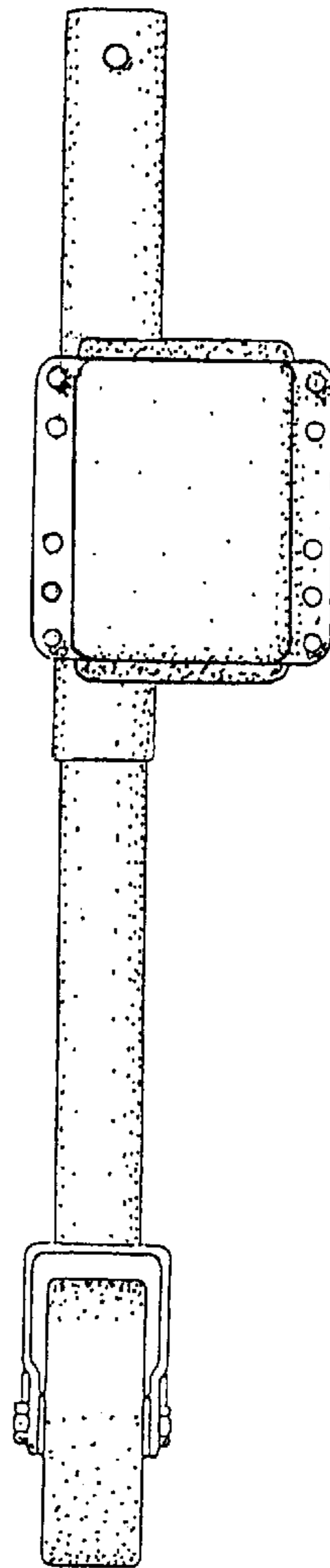


FIG. 2

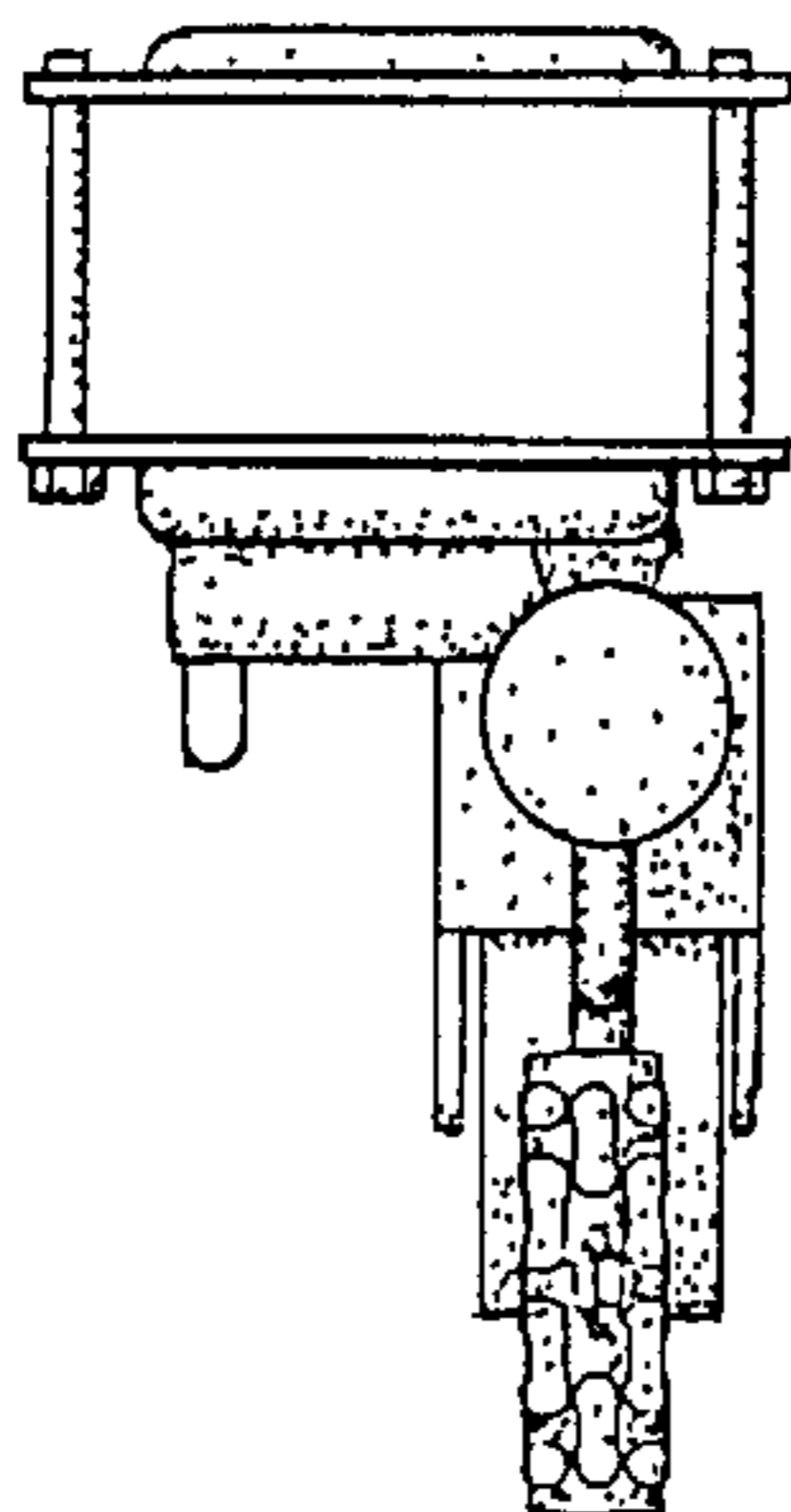


FIG. 5

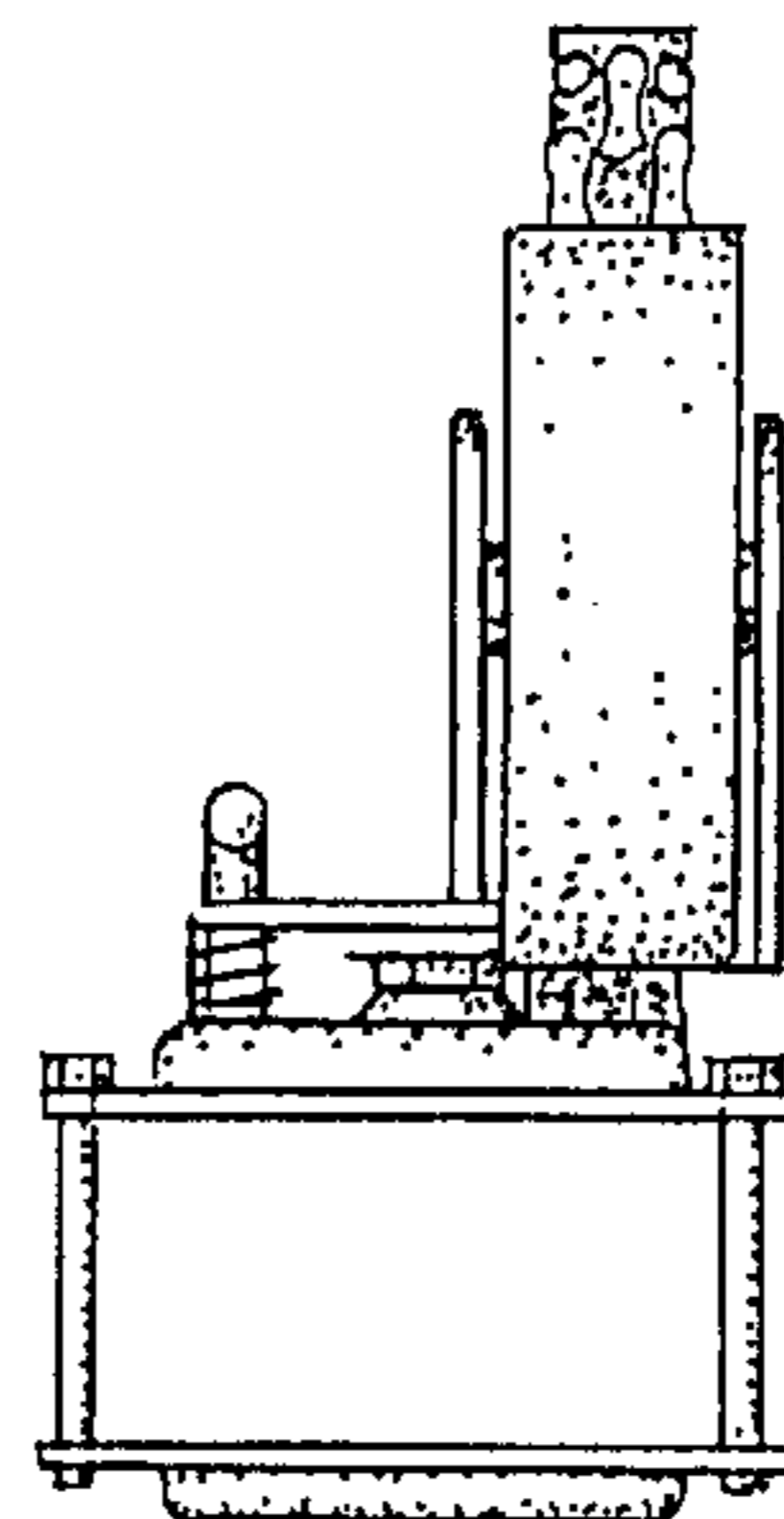


FIG. 6

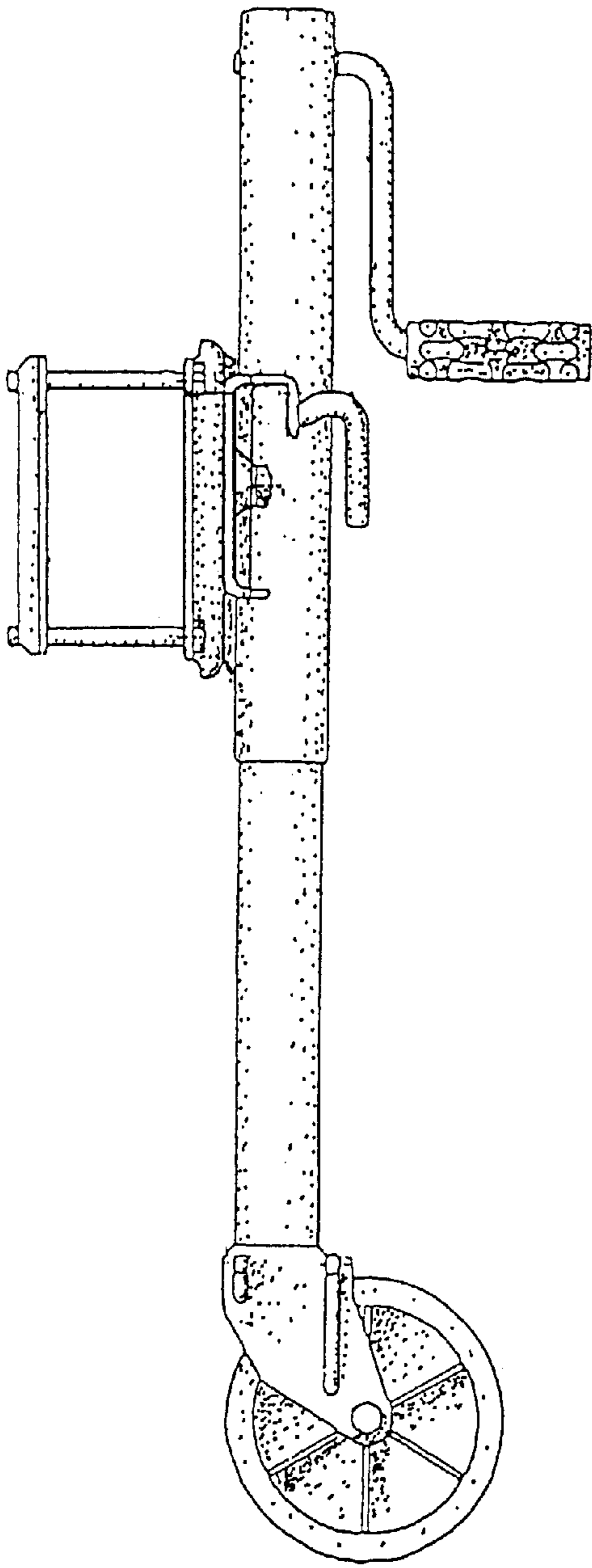


FIG. 3

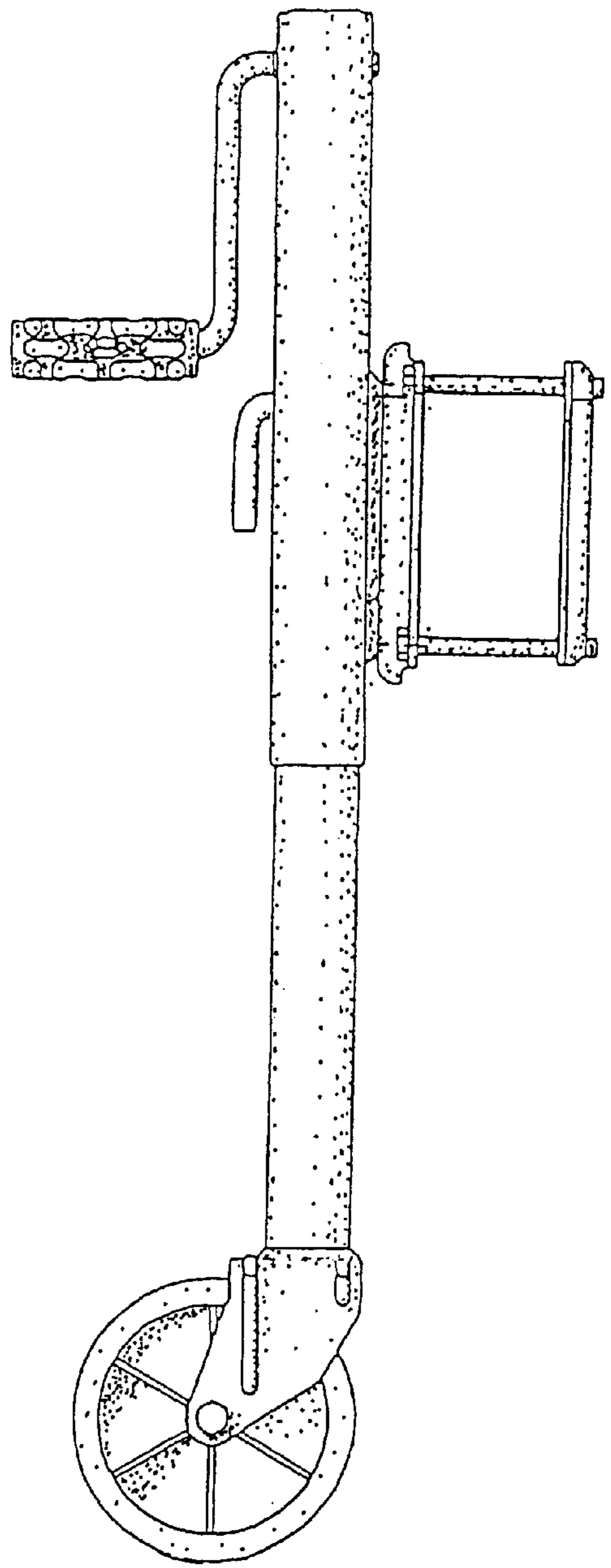


FIG. 4