



US00D476455S

(12) **United States Design Patent**
Skalka

(10) **Patent No.: US D476,455 S**

(45) **Date of Patent: ** *Jun. 24, 2003**

(54) **TRASH CAN RECEPTACLE**

(75) **Inventor: Gerald P. Skalka, Potomac, MD (US)**

(73) **Assignee: Victor Stanley, Inc., Dunkirk, MD (US)**

(*) **Notice:** This patent is subject to a terminal disclaimer.

(**) **Term: 14 Years**

(21) **Appl. No.: 29/142,874**

(22) **Filed: Jun. 5, 2001**

Related U.S. Application Data

(63) Continuation-in-part of application No. 29/122,990, filed on May 9, 2000, now Pat. No. Des. 450,166.

(51) **LOC (7) Cl. 09-09**

(52) **U.S. Cl. D34/7; D34/1**

(58) **Field of Search D34/1, 5, 6, 7, D34/9, 10; 220/908, 909, 910, 911**

(56) **References Cited**

U.S. PATENT DOCUMENTS

1,080,470 A	12/1913	Nutter et al.	
D51,368 S	10/1917	Ellis	
D215,345 S	9/1969	Mangold et al.	
3,866,824 A	2/1975	Lewis	
D304,253 S	10/1989	Skalka	
D306,928 S	3/1990	Hanna	
4,955,497 A	9/1990	Winden et al.	
D315,625 S	3/1991	Hallinan et al.	
D335,729 S	5/1993	Brussing	
D338,758 S	8/1993	Sexton et al.	
D343,709 S	* 1/1994	Doty et al.	D34/1
D349,379 S	8/1994	Starck	
D371,657 S	7/1996	Kirn et al.	

(List continued on next page.)

OTHER PUBLICATIONS

Victor Stanley, Inc. Products, Ironsites™ Series: S-42, Lid Options, www.victorstanley.com/html/prod/ironsites-s42.html (Jun. 28, 2000).

Primary Examiner—Cynthia E. Ramirez
(74) *Attorney, Agent, or Firm*—Jacobson Holman PLLC

(57) **CLAIM**

An ornamental design for a trash can receptacle, as shown and described.

DESCRIPTION

FIG. 1 is a perspective view of a trash can receptacle showing a first embodiment of my new design, shown with the door in a closed position.

FIG. 2 is a perspective view of the trash can receptacle of FIG. 1, shown with the door in an open position.

FIG. 3 is a left side elevational view of the trash can receptacle of FIG. 1, shown with the door in a closed position, the right side elevational view being a mirror image thereof.

FIG. 4 is a top plan view of the trash can receptacle of FIG. 1, shown with the door in a closed position.

FIG. 5 is a top perspective view of a trash can receptacle showing a second embodiment of my new design.

FIG. 6 is a perspective view of a trash can receptacle showing a second embodiment of my new design, shown with the door in a closed position.

FIG. 7 is a perspective view of the trash can receptacle of FIG. 6, shown with the door in an open position.

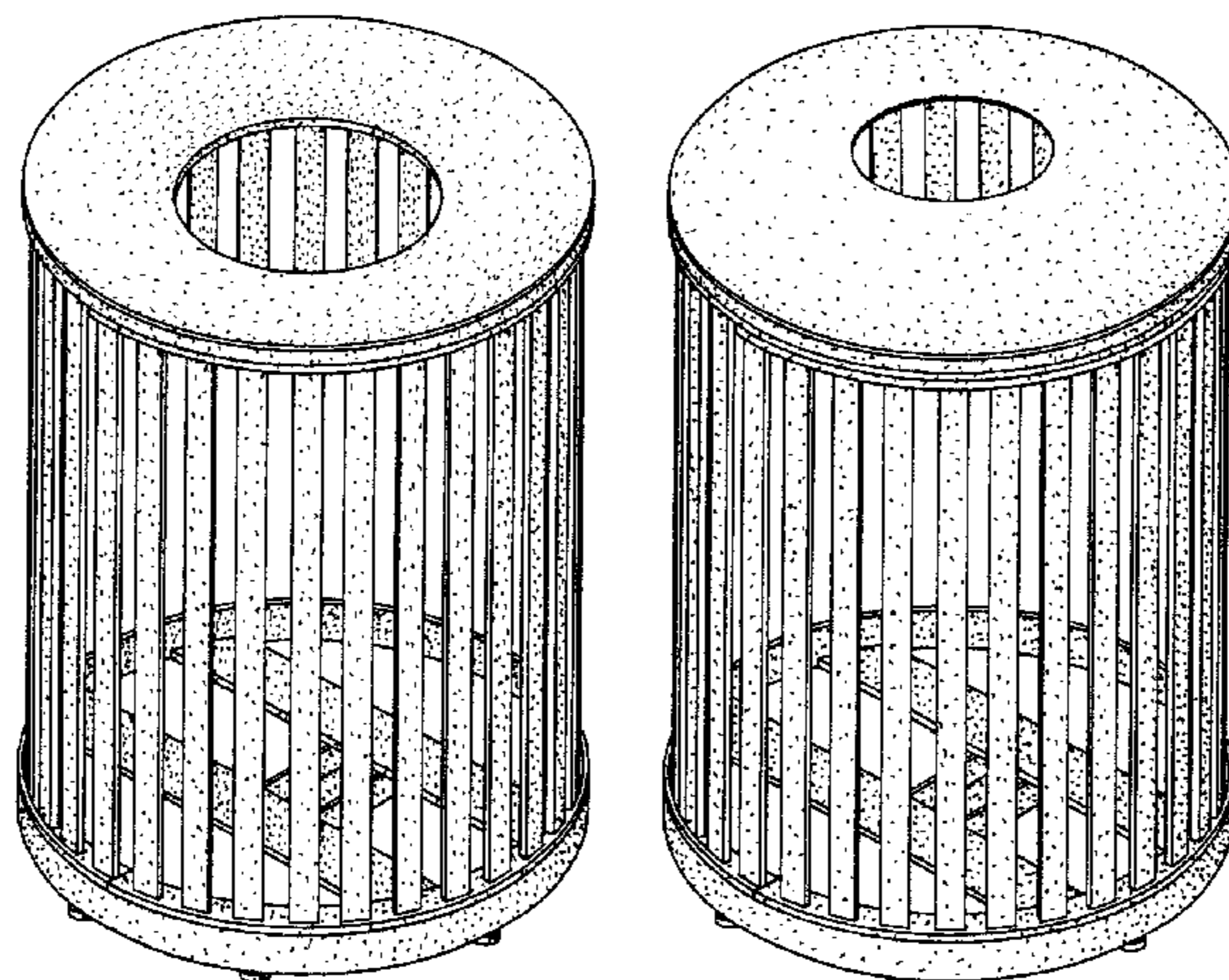
FIG. 8 is a left side elevational view of the trash can receptacle of FIG. 6, shown with the door in a closed position, the right side elevational view being a mirror image thereof.

FIG. 9 is a top plan view of the trash can receptacle of FIG. 6, shown with the door in a closed position.

FIG. 10 is a top perspective view of a trash can receptacle showing a second embodiment of my new design.

FIG. 11 is a front elevational view of the trash can receptacle of FIG. 6, shown with the door in a closed position; and, FIG. 12 is a rear elevational view of the trash can receptacle of FIG. 6, shown with the door in a closed position.

1 Claim, 5 Drawing Sheets



US D476,455 S

Page 2

U.S. PATENT DOCUMENTS

D381,158 S	7/1997	Kane	D424,769 S	5/2000	Hornyak	
D394,930 S	6/1998	Creske	6,196,407 B1	3/2001	Liu	
D417,053 S	11/1999	Skalka	D450,166 S	* 11/2001	Skalka D34/1
D421,824 S	3/2000	Hornyak	D457,703 S	* 5/2002	Tolar D34/7
D423,166 S	4/2000	Hornyak	D458,431 S	* 6/2002	Skalka D34/7

* cited by examiner

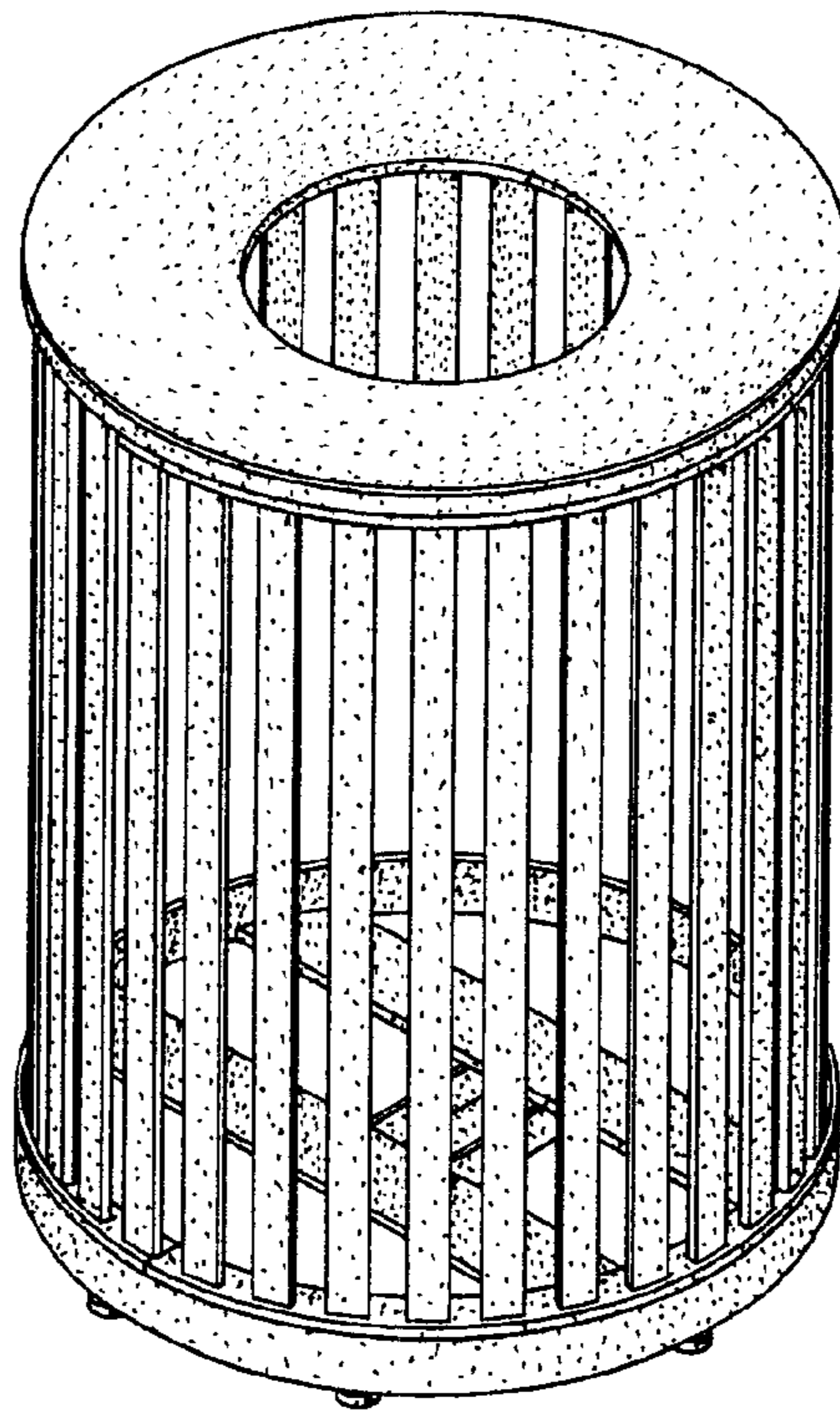


FIG. 1

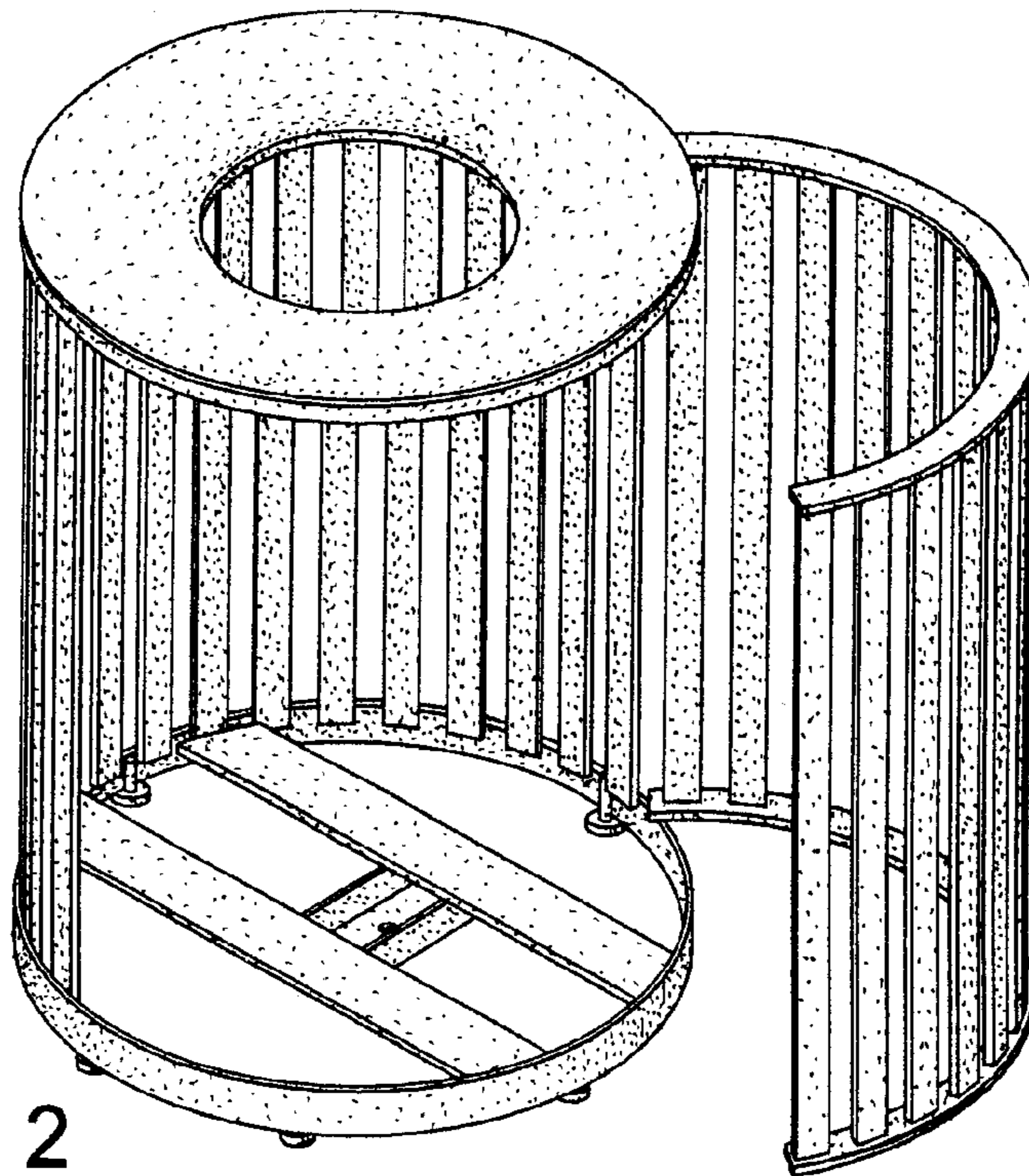


FIG. 2

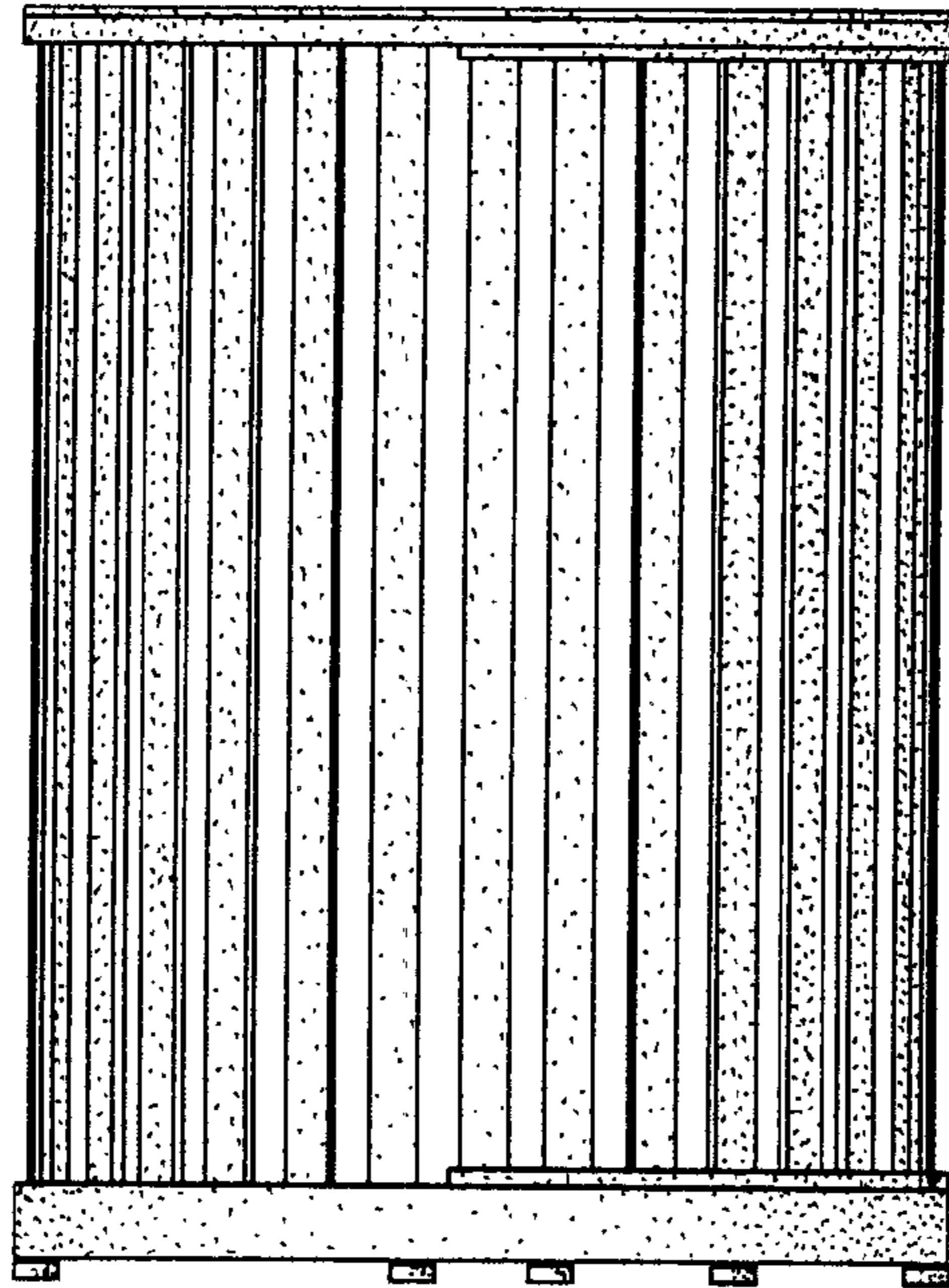


FIG. 3

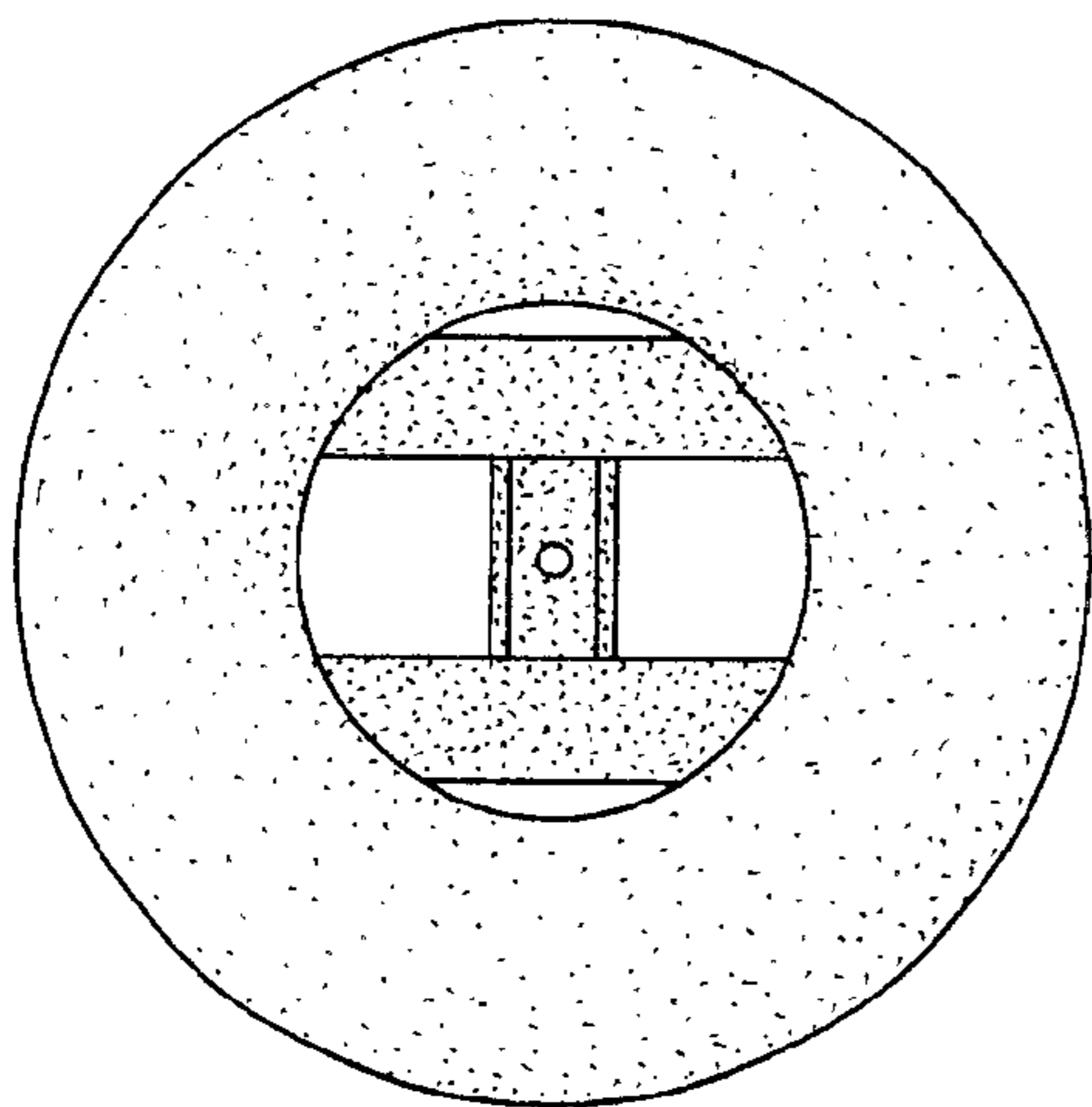


FIG. 4

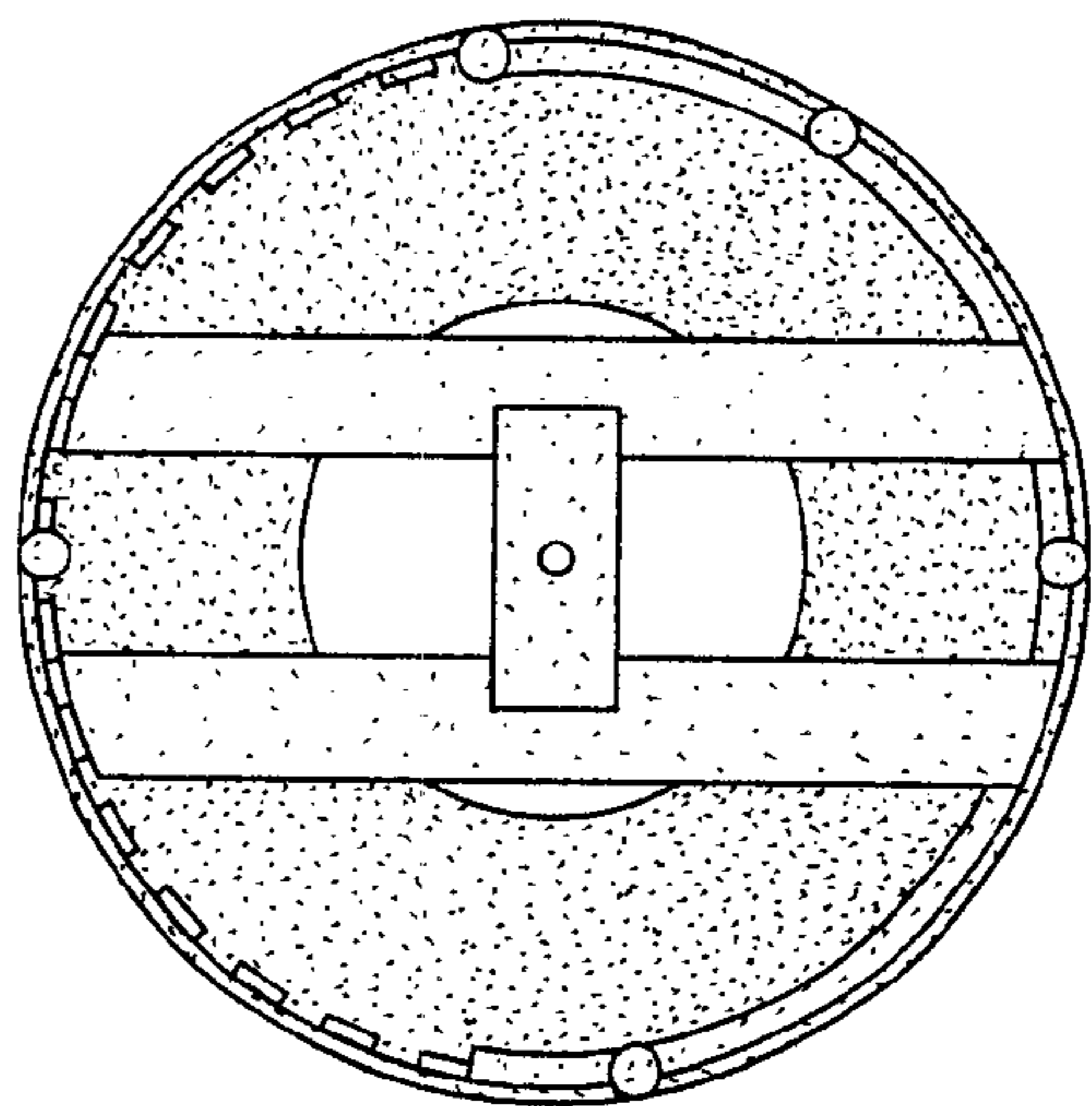


FIG. 5

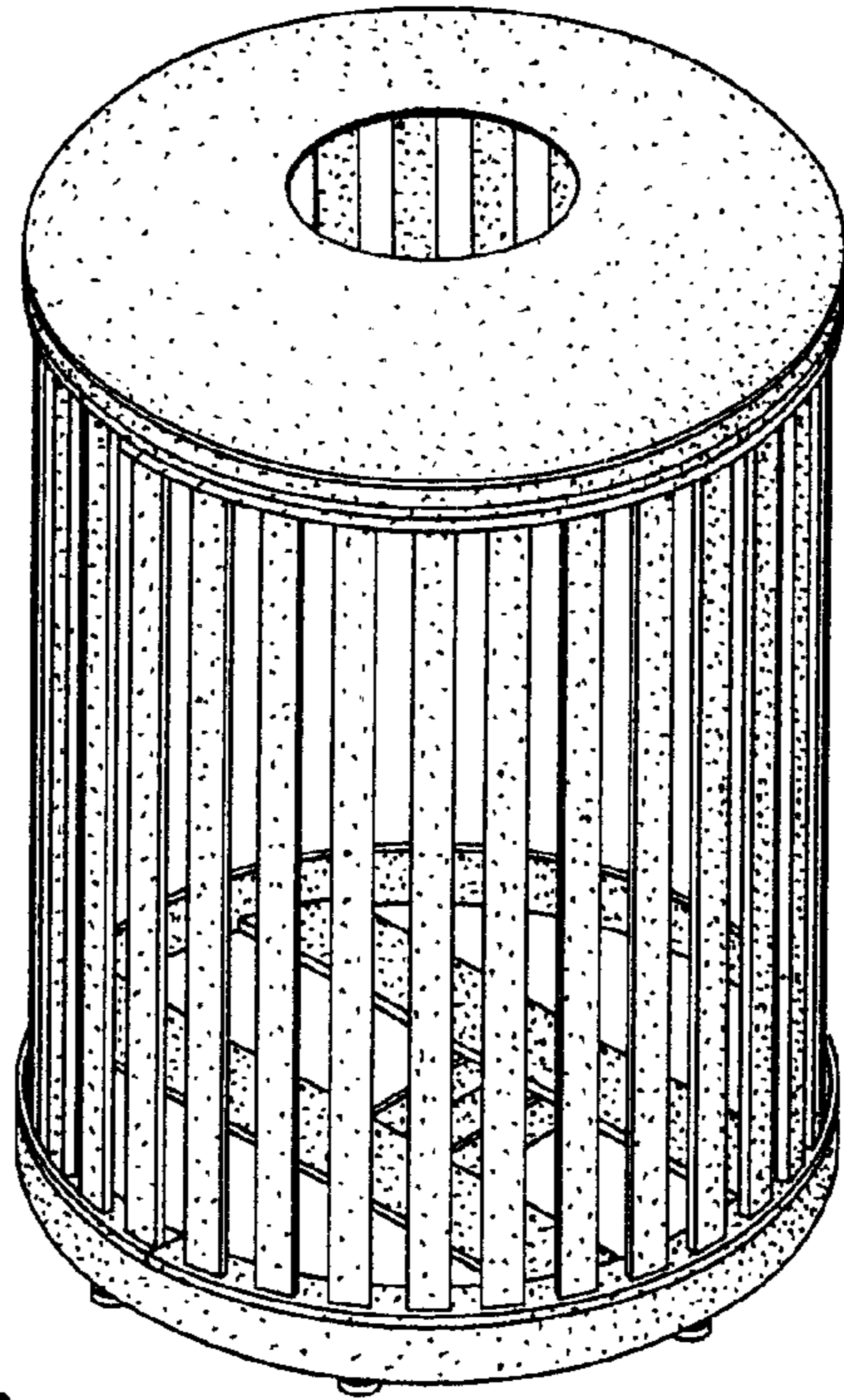


FIG. 6

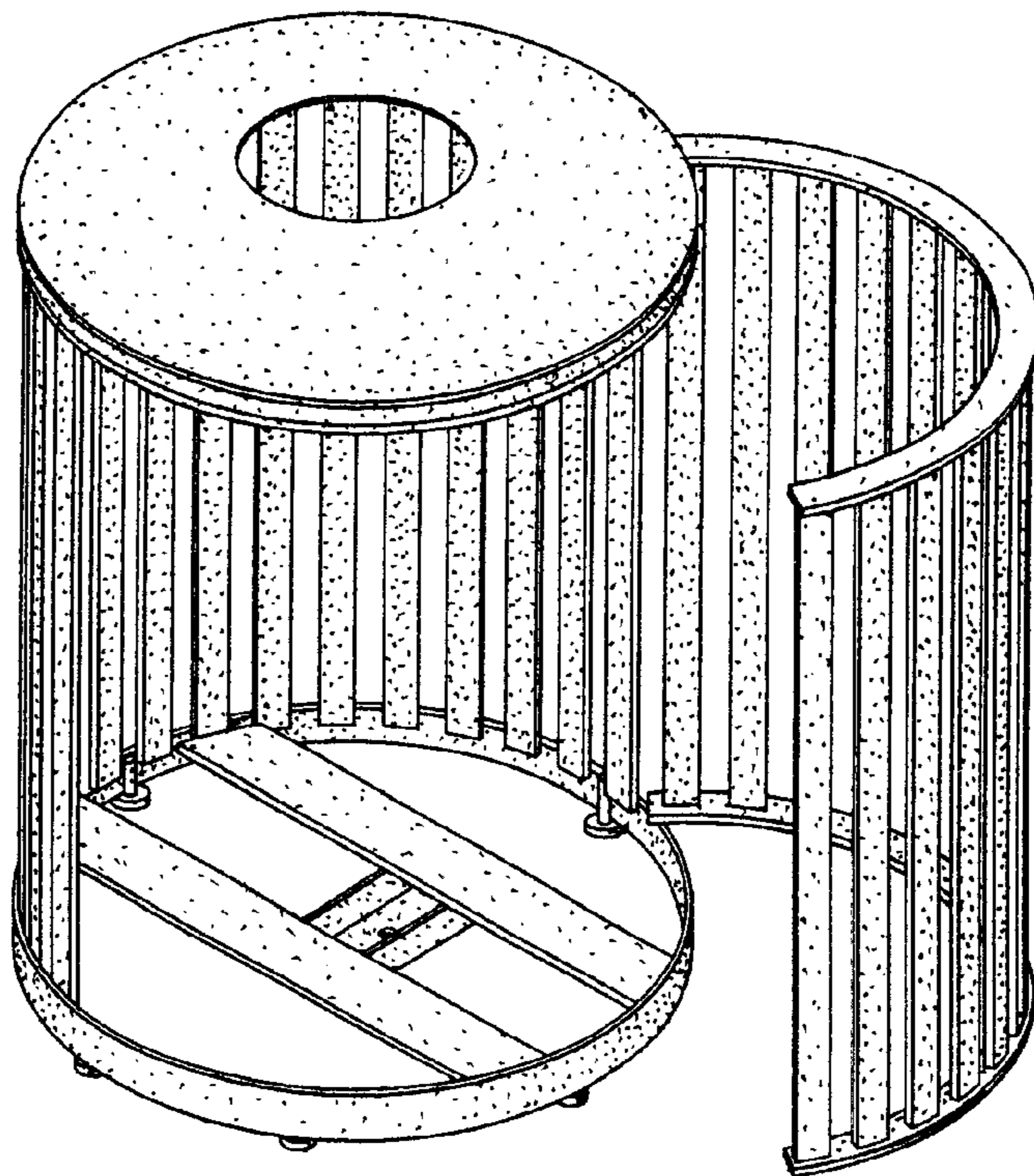


FIG. 7

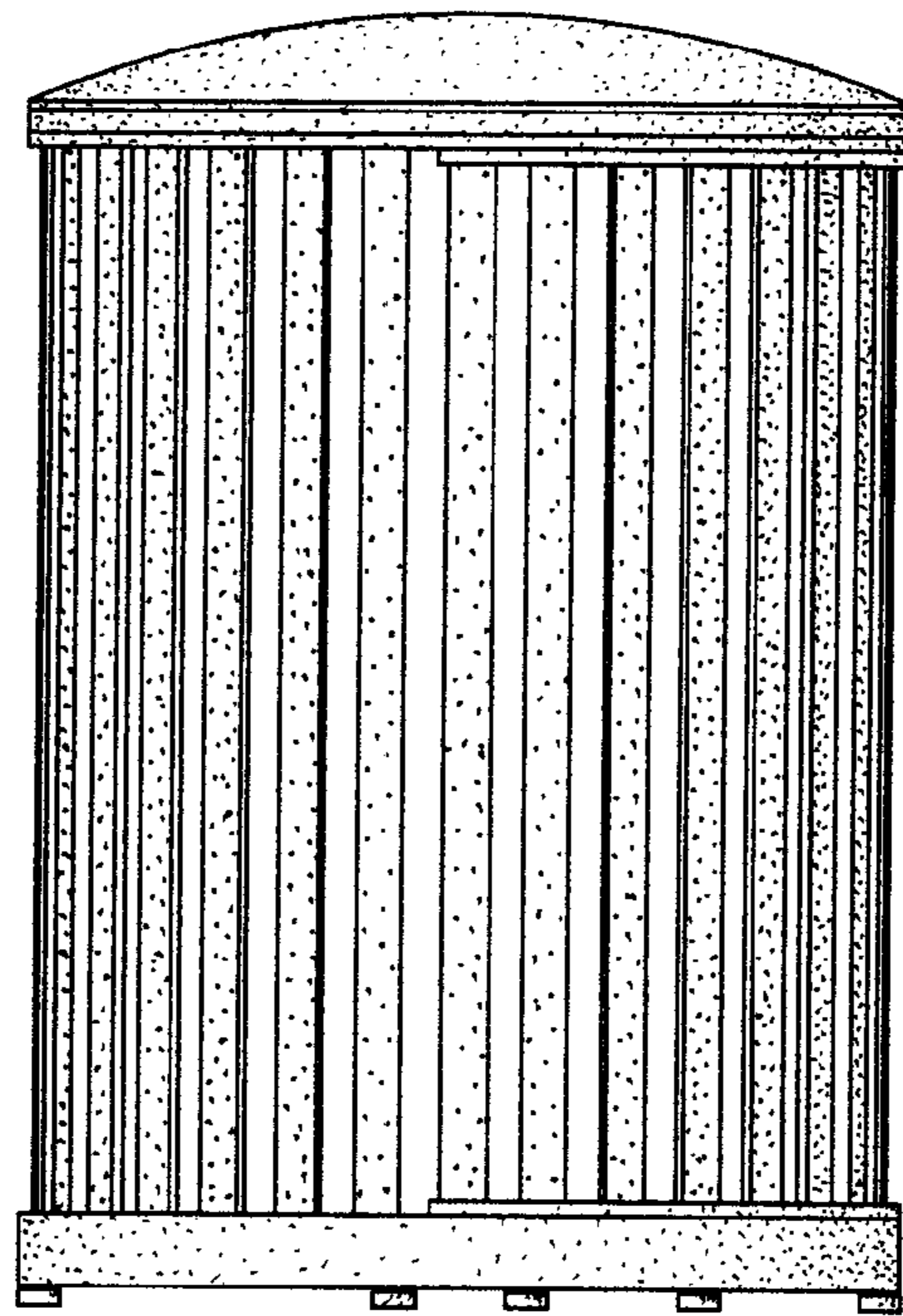


FIG. 8

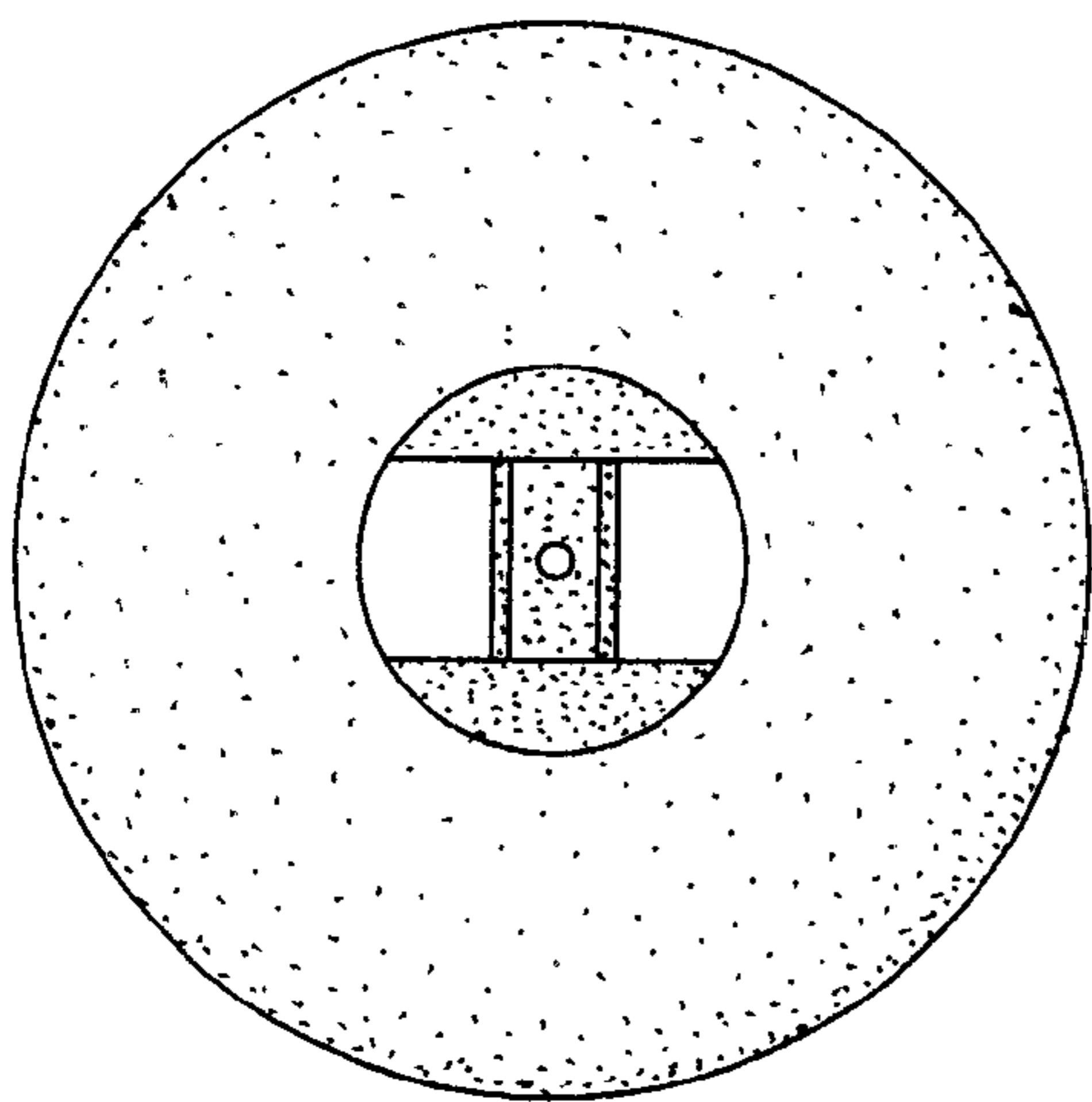


FIG. 9

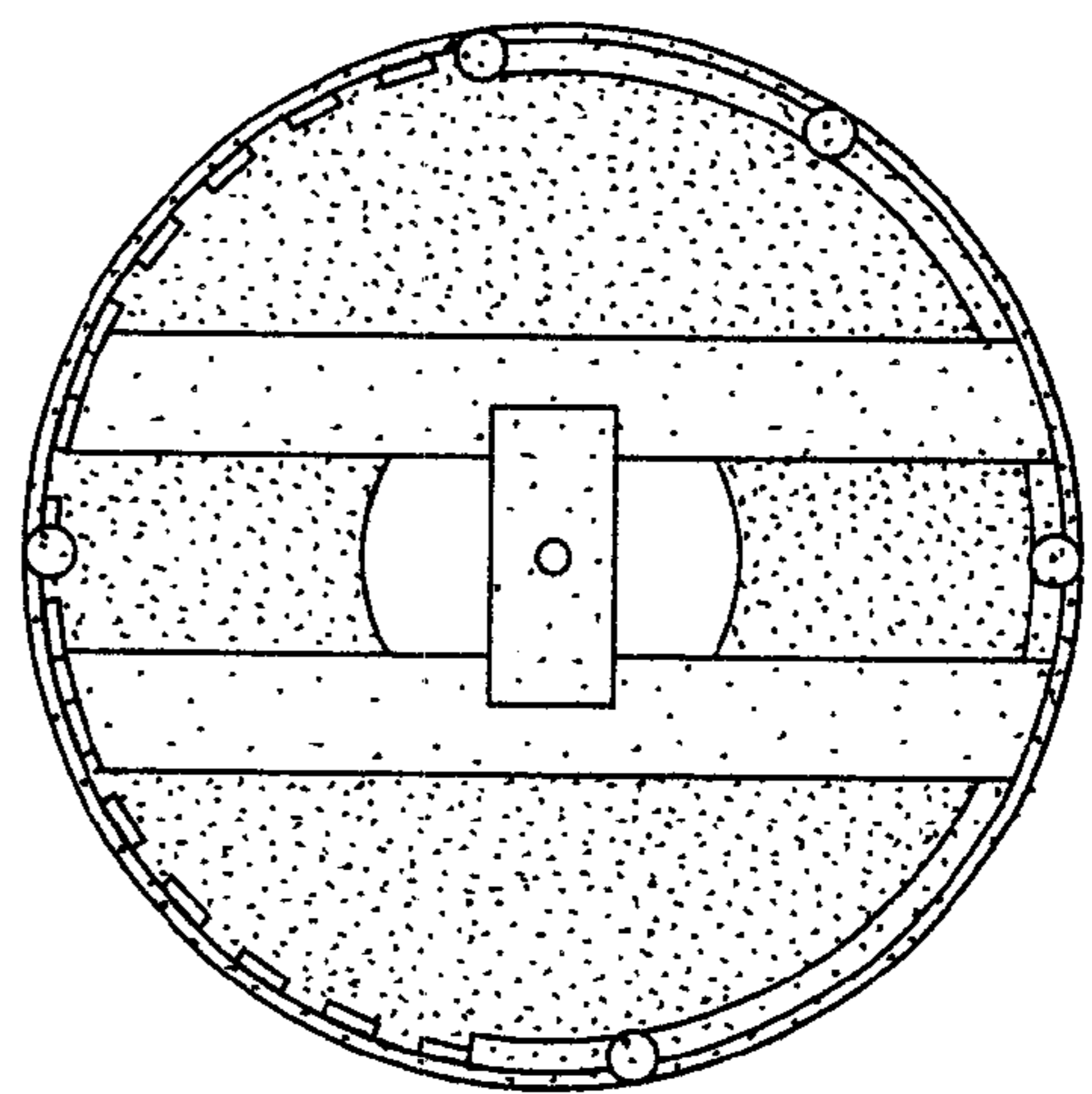


FIG. 10

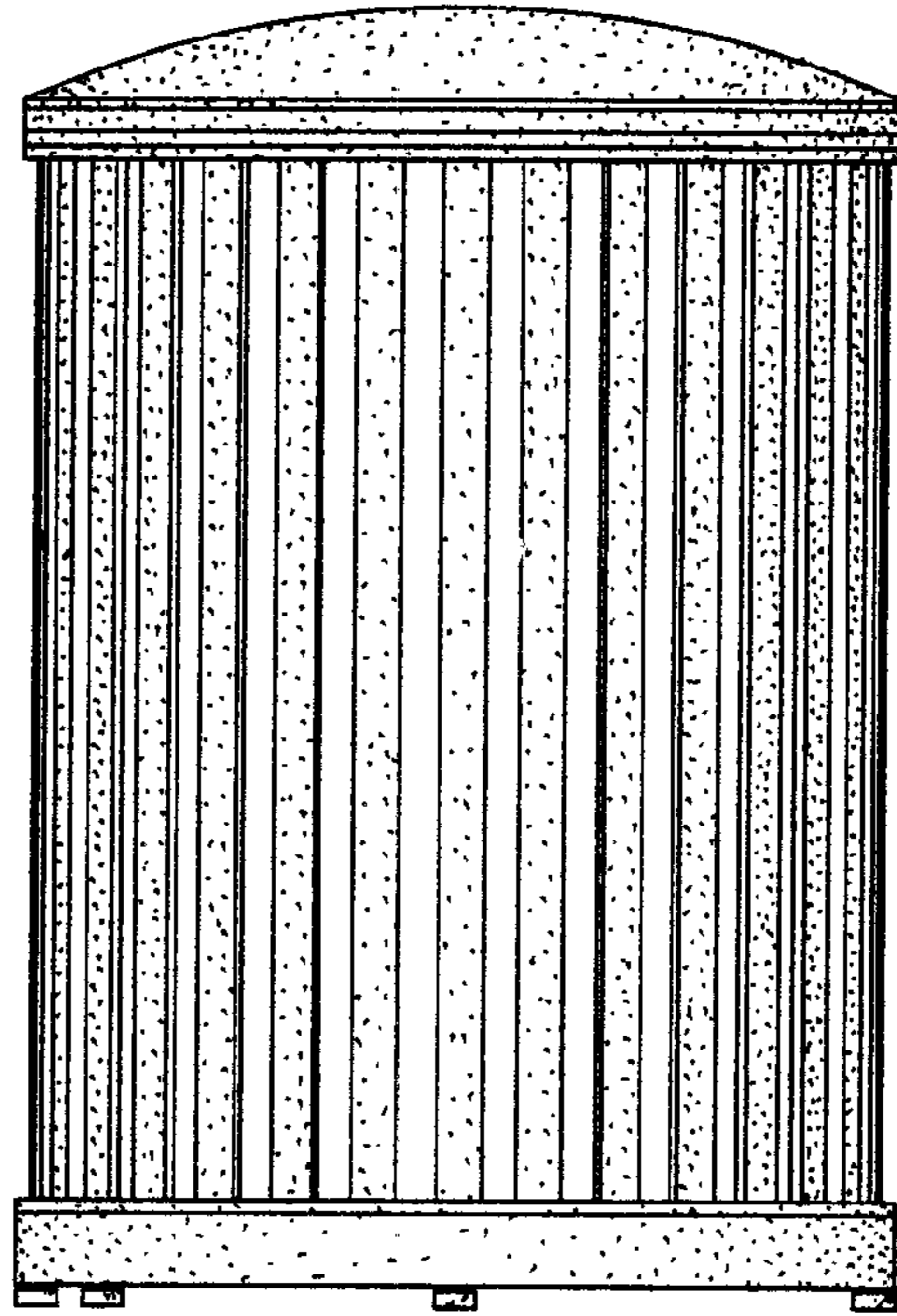


FIG. 11

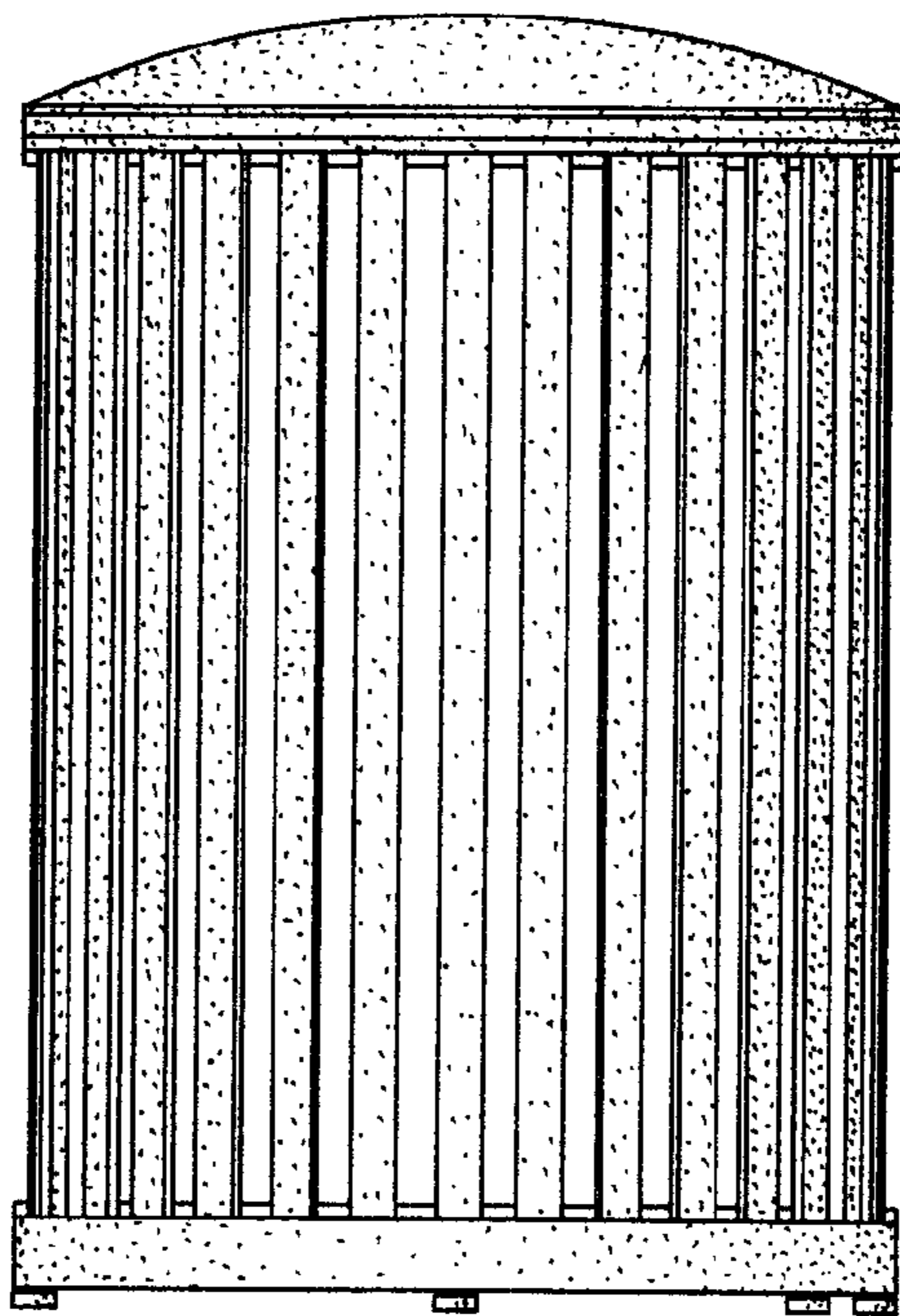


FIG. 12