



US00D476454S

(12) **United States Design Patent**
Skalka

(10) **Patent No.:** **US D476,454 S**

(45) **Date of Patent:** **** *Jun. 24, 2003**

(54) **TRASH CAN RECEPTACLE**

(75) Inventor: **Gerald P. Skalka**, Potomac, MD (US)

(73) Assignee: **Victor Stanley, Inc.**, Dunkirk, MD (US)

(*) Notice: This patent is subject to a terminal disclaimer.

(**) Term: **14 Years**

(21) Appl. No.: **29/143,292**

(22) Filed: **Jun. 12, 2001**

Related U.S. Application Data

(63) Continuation-in-part of application No. 29/125,773, filed on Jun. 30, 2000.

(51) **LOC (7) Cl.** **09-09**

(52) **U.S. Cl.** **D34/5; D34/1**

(58) **Field of Search** D34/1, 5, 6, 10, D34/11; 220/908, 909, 910, 911

(56) **References Cited**

U.S. PATENT DOCUMENTS

1,080,470 A	12/1913	Nutter et al.	
D51,368 S	10/1917	Ellis	
D304,253 S	10/1989	Skalka	
D304,632 S	11/1989	Skalka	
D306,928 S	3/1990	Hanna	
4,955,497 A	9/1990	Winden et al.	
D314,461 S	2/1991	Skalka	
D315,625 S	* 3/1991	Hallinan et al.	D34/1
D322,347 S	12/1991	Skalka	
D322,348 S	12/1991	Skalka	
D338,758 S	* 8/1993	Sexton et al.	D34/7
D391,723 S	* 3/1998	McCombs	D34/5

D417,053 S	* 11/1999	Skalka	D34/6
D441,932 S	* 5/2001	Skalka	D34/1
D445,982 S	7/2001	Skalka	
D447,305 S	* 8/2001	Hughes	D34/1
D450,166 S	11/2001	Skalka	
D452,760 S	* 1/2002	Skalka	D34/1
D454,238 S	* 3/2002	Skalka	D34/1

OTHER PUBLICATIONS

Victor Stanley, Inc. Products, Ironsites™ Series: S-42, Lid Options, www.victorstanley.com/html/prod/ironsites-s42.html (Nov. 27, 2001).

* cited by examiner

Primary Examiner—Cynthia E. Ramirez

(74) *Attorney, Agent, or Firm*—Jacobson Holman PLLC

(57) **CLAIM**

The ornamental design for a trash can receptacle, as shown and described.

DESCRIPTION

FIG. 1 is a top perspective view of a trash can receptacle showing my new design, with the door closed.

FIG. 2 is a top perspective view of the trash can receptacle of FIG. 1, with the door opened.

FIG. 3 is a left side elevational view of the trash can receptacle of FIG. 1 with the door closed.

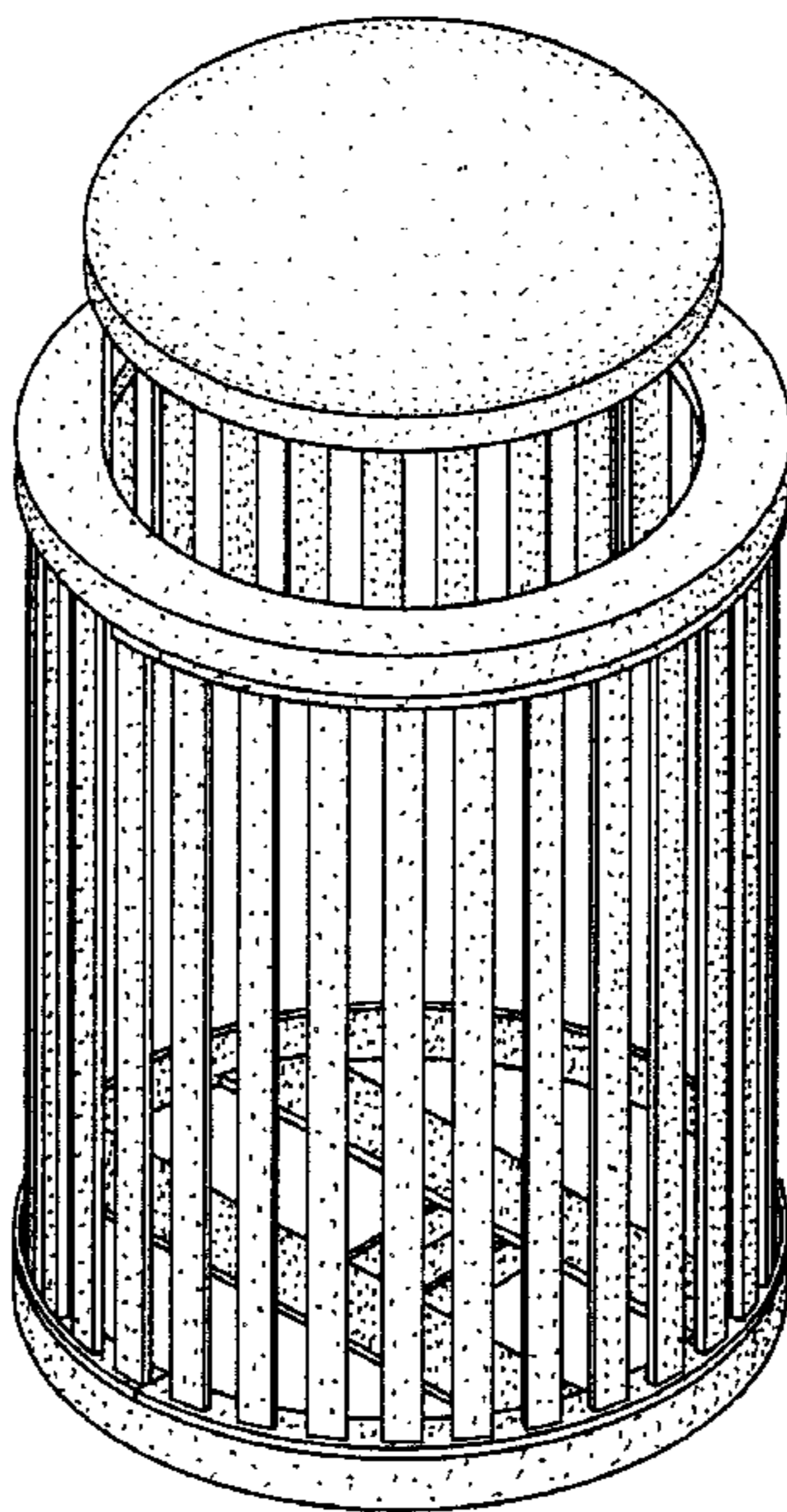
FIG. 4 is a top plan view of the trash can receptacle of FIG. 1.

FIG. 5 is a bottom plan view of the trash can receptacle of FIG. 1.

FIG. 6 is a front elevational view of the trash can receptacle of FIG. 1, with the door closed; and,

FIG. 7 is a rear elevational view of the trash can receptacle of FIG. 1, with the door closed.

1 Claim, 3 Drawing Sheets



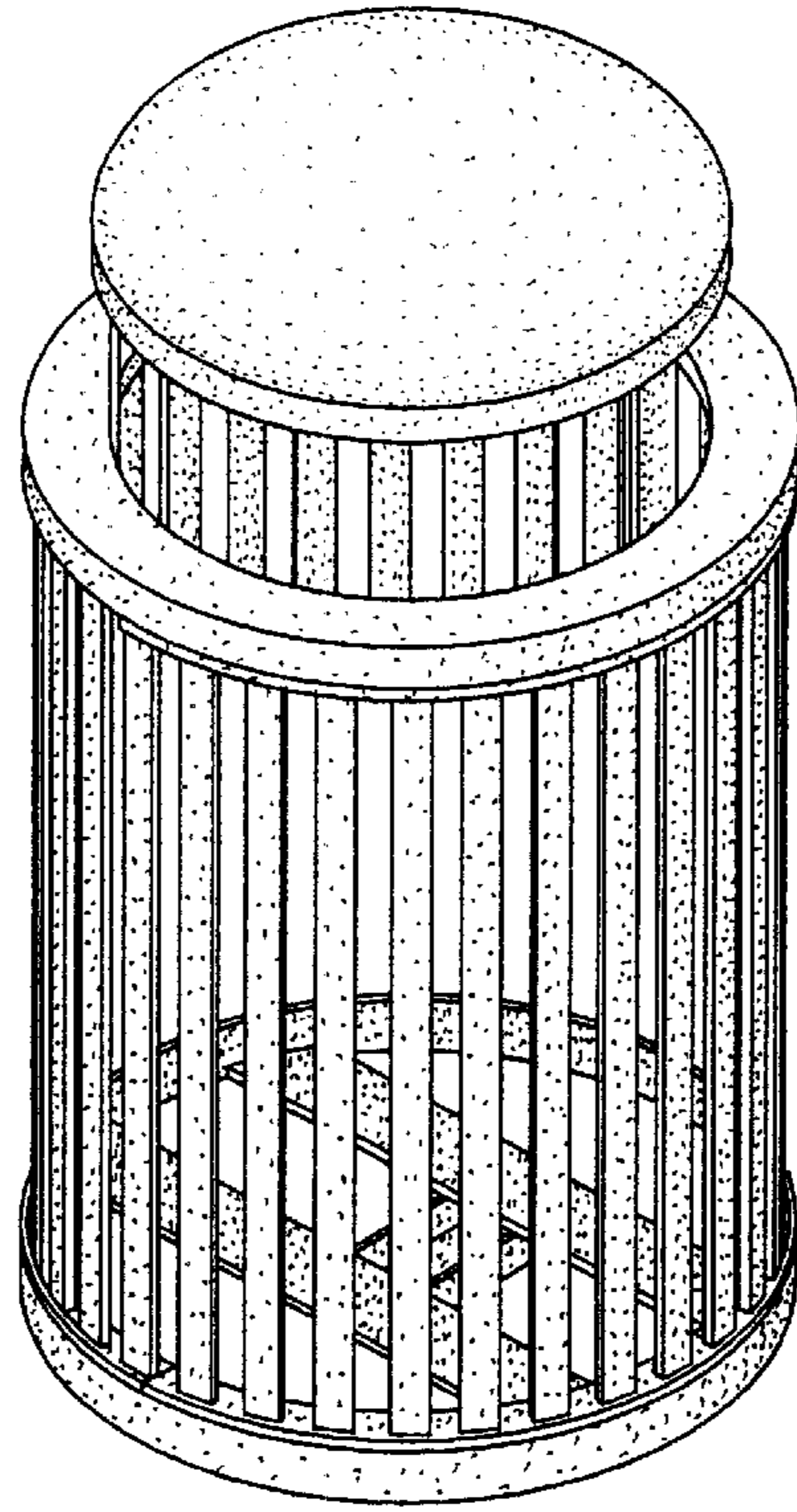


FIG. 1

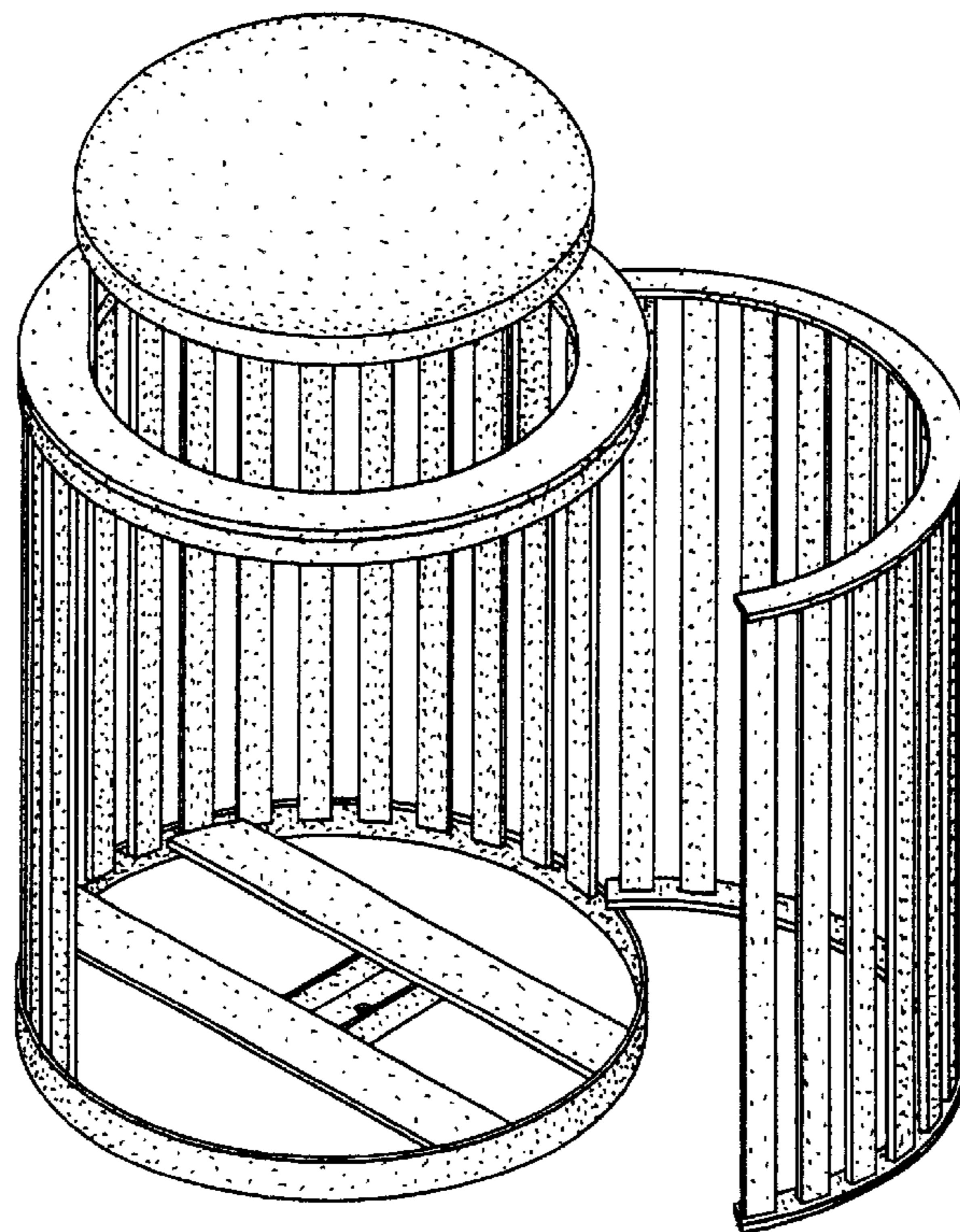


FIG. 2

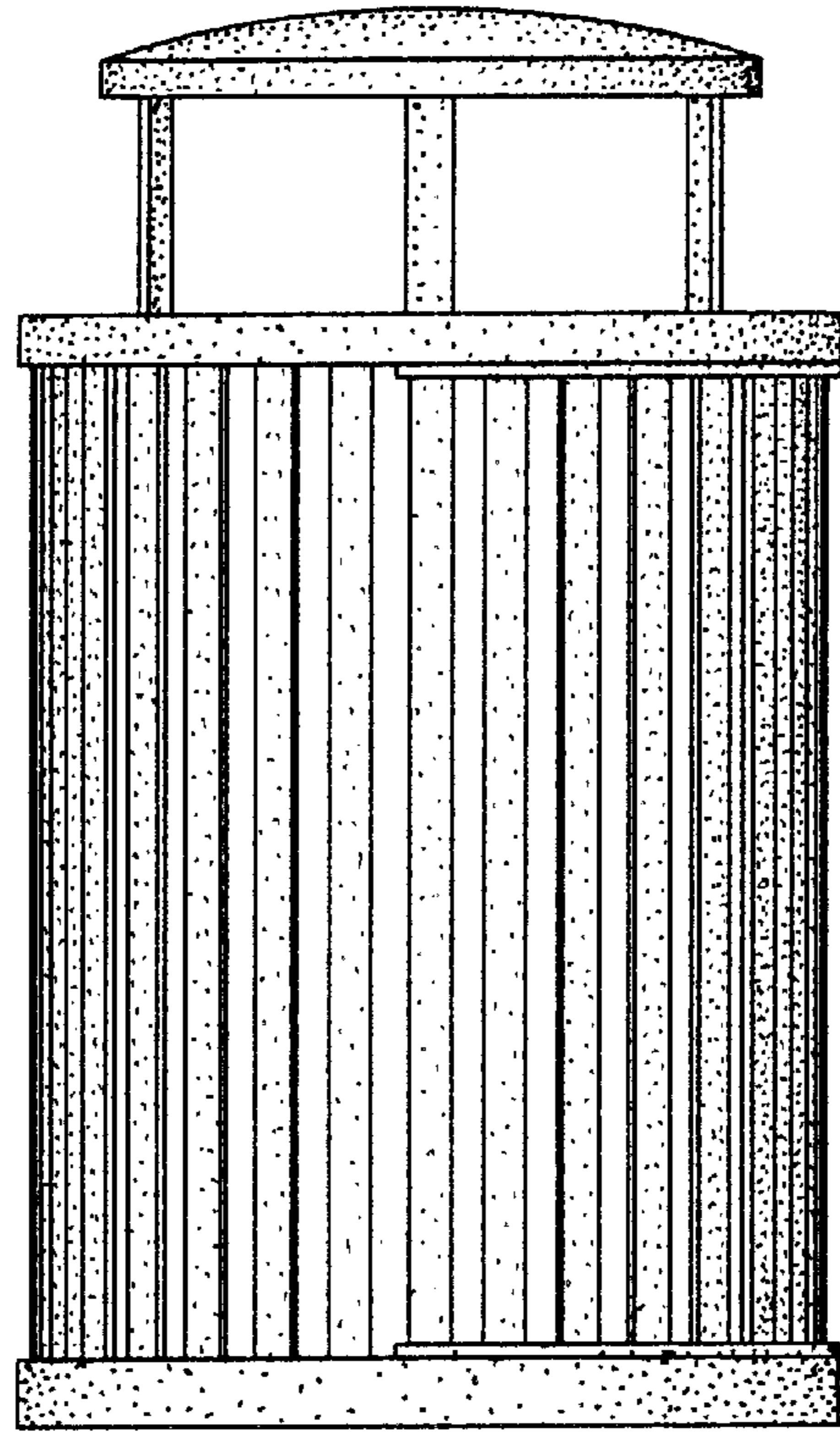


FIG. 3

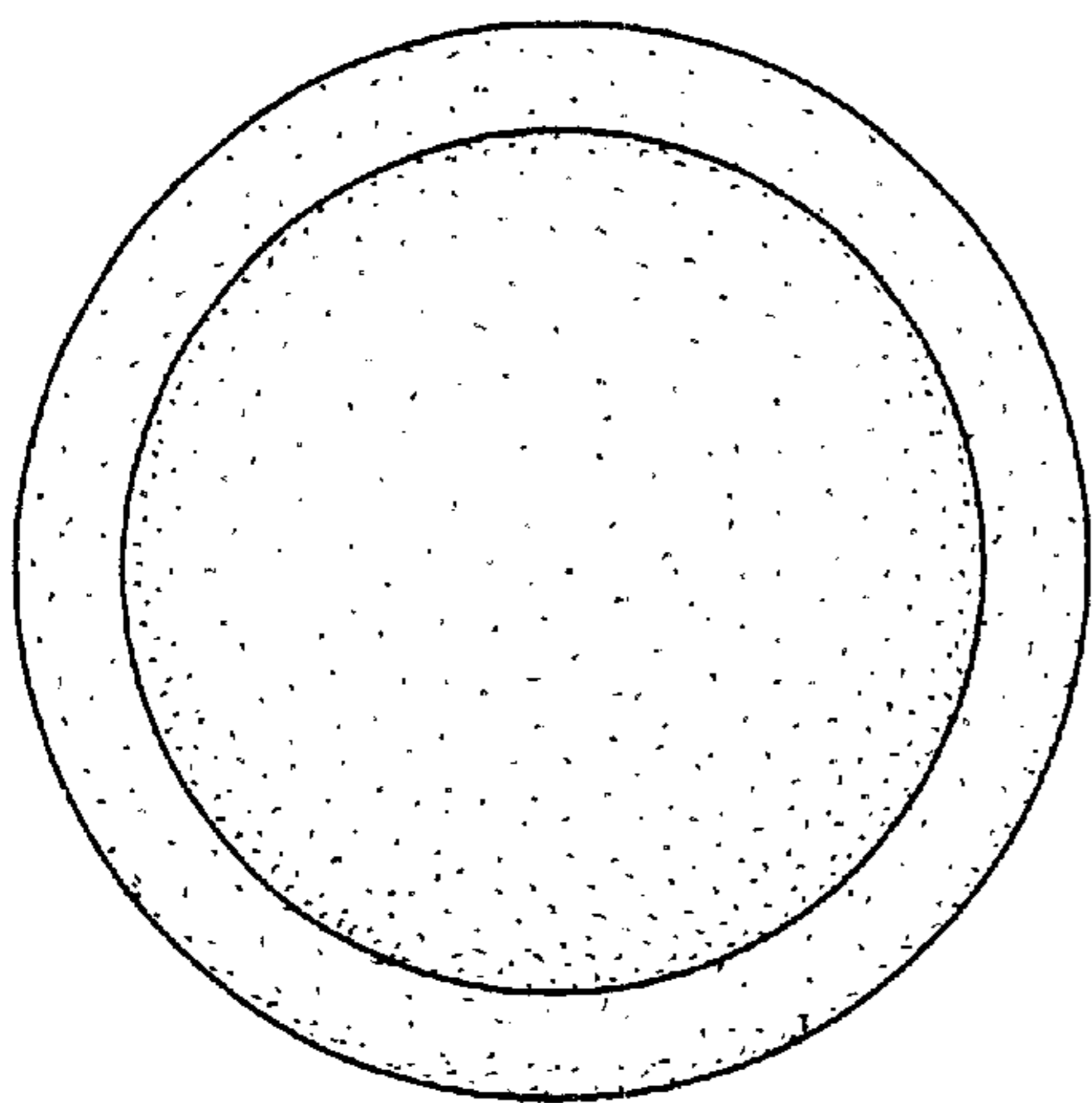


FIG. 4

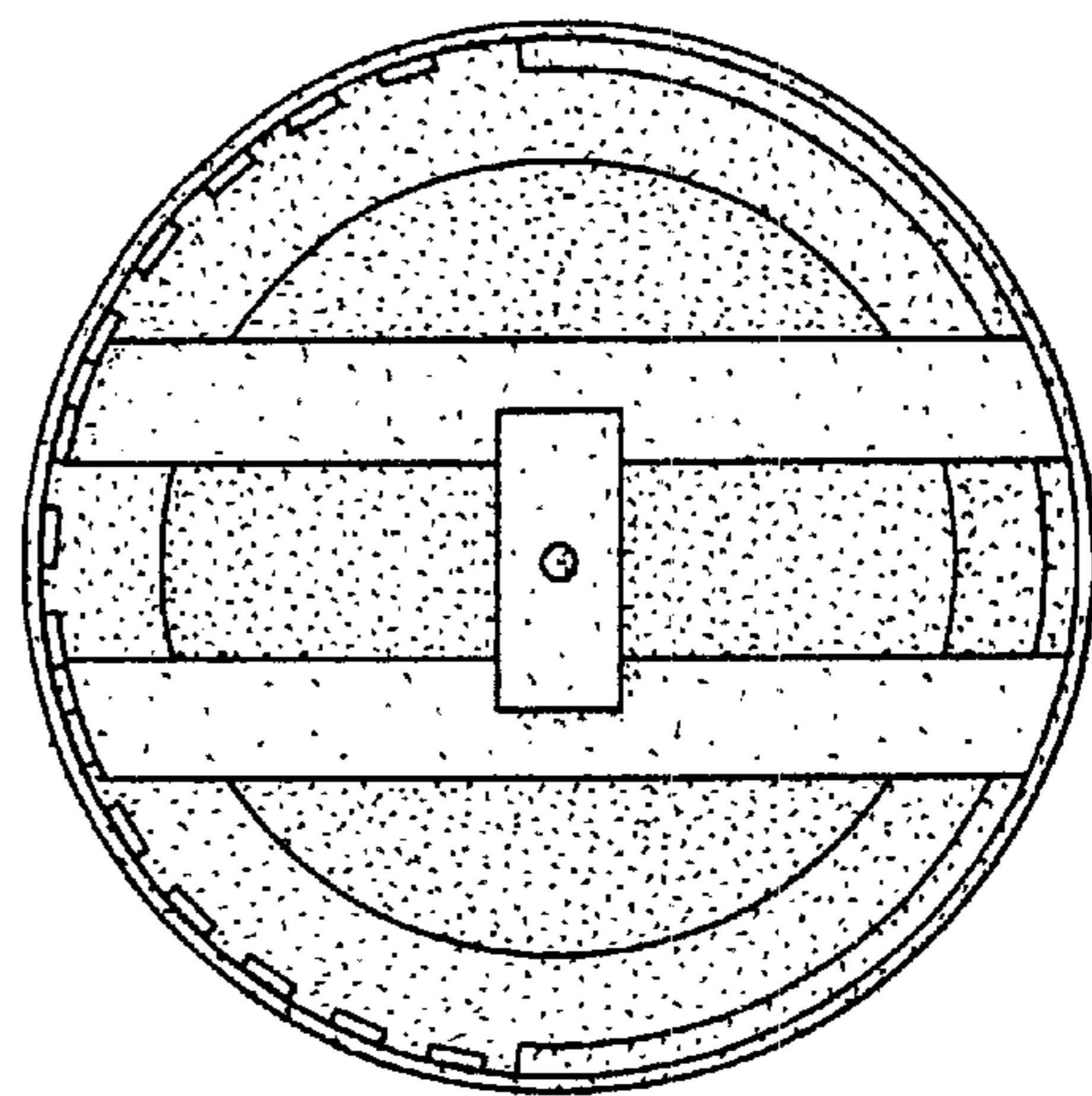


FIG. 5

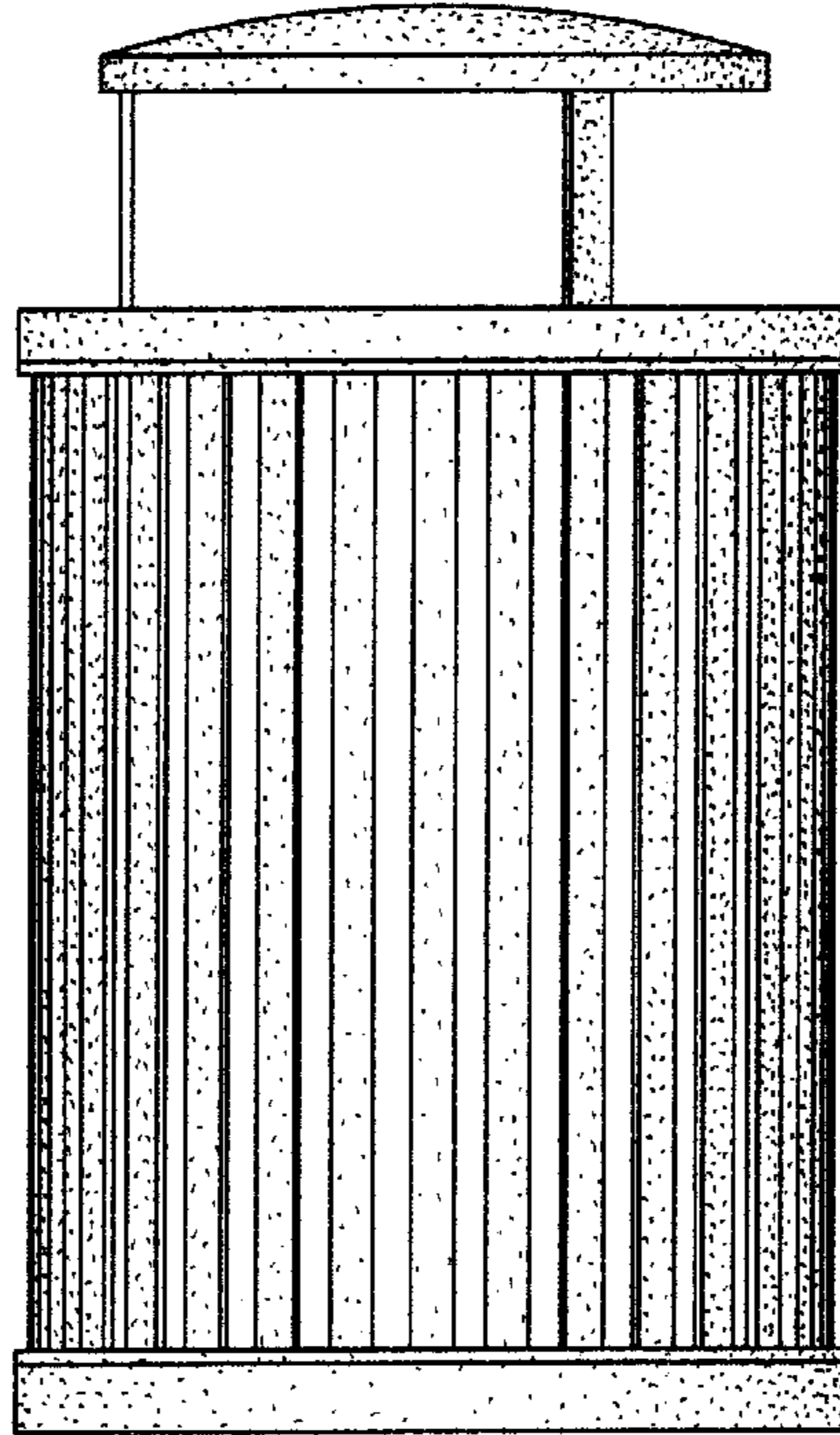


FIG. 6

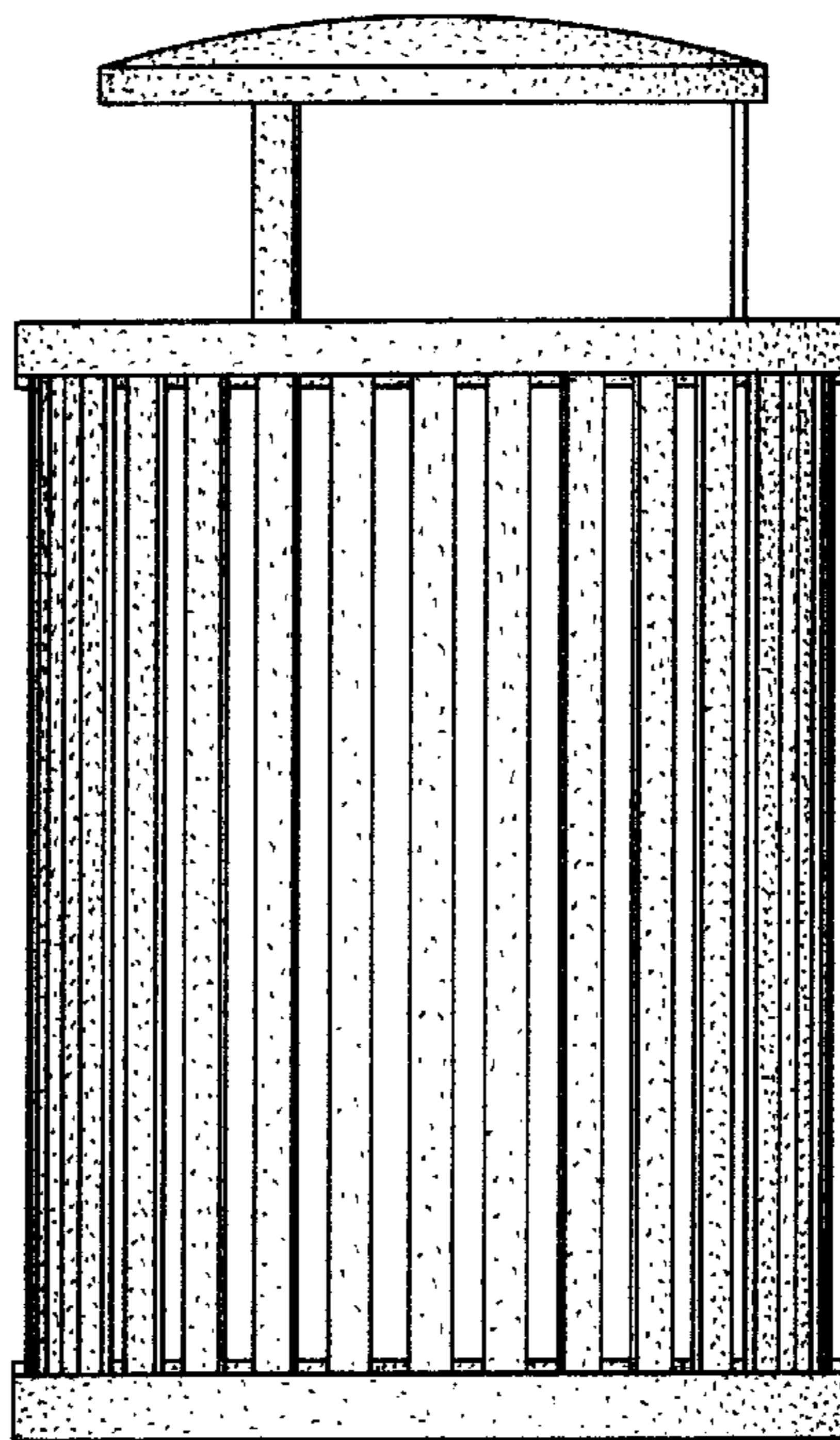


FIG. 7