



US00D476452S

(12) **United States Design Patent**
Dietrich et al.

(10) **Patent No.:** **US D476,452 S**
(45) **Date of Patent:** **** Jun. 24, 2003**

(54) **ANIMAL CAGE WATER BOTTLE**

(75) Inventors: **Eric A. Dietrich**, Woodbine, MD (US);
John E. Sheaffer, Havre de Grace, MD (US)

(73) Assignee: **Lab Products, Inc.**, Seaford, DE (US)

(**) Term: **14 Years**

(21) Appl. No.: **29/142,127**

(22) Filed: **May 18, 2001**

Related U.S. Application Data

(63) Continuation of application No. 09/234,394, filed on Jan. 20, 1999, now Pat. No. 6,295,950, which is a continuation of application No. 08/542,394, filed on Oct. 12, 1995, now Pat. No. 5,924,384.

(51) **LOC (7) Cl.** **30-03**

(52) **U.S. Cl.** **D30/132**

(58) **Field of Search** D30/121-122,
D30/132, 133; 119/419, 416, 454, 464,
51.5, 51.01, 500; D24/224

(56) **References Cited**

U.S. PATENT DOCUMENTS

4,480,587 A * 11/1984 Sedlacek 119/419
4,640,228 A * 2/1987 Sedlacek et al. 119/419
4,989,545 A * 2/1991 Sheaffer et al. 119/419

D379,521 S * 5/1997 Stevens et al. D24/224
D403,130 S * 12/1998 Bunney et al. D30/121
5,924,384 A * 7/1999 Deitrich et al. 119/416

* cited by examiner

Primary Examiner—Pamela Burgess

(74) *Attorney, Agent, or Firm*—Stroock & Stroock & Lavan LLP

(57) **CLAIM**

The ornamental design for a animal cage water bottle, as shown.

DESCRIPTION

FIG. 1 is a front, top, left side perspective view of an animal cage water bottle;

FIG. 2 is a rear, top, right side perspective view of the animal cage water bottle of FIG. 1;

FIG. 3 is a front view of the animal cage water bottle of FIG. 1;

FIG. 4 is a rear view of the animal cage water bottle of FIG. 1;

FIG. 5 is a left side view of the animal cage water bottle of FIG. 1, the right side being a mirror image of the left side;

FIG. 6 is a bottom view of the animal cage water bottle of FIG. 1; and,

FIG. 7 is a top view of the animal cage water bottle of FIG. 1.

1 Claim, 4 Drawing Sheets

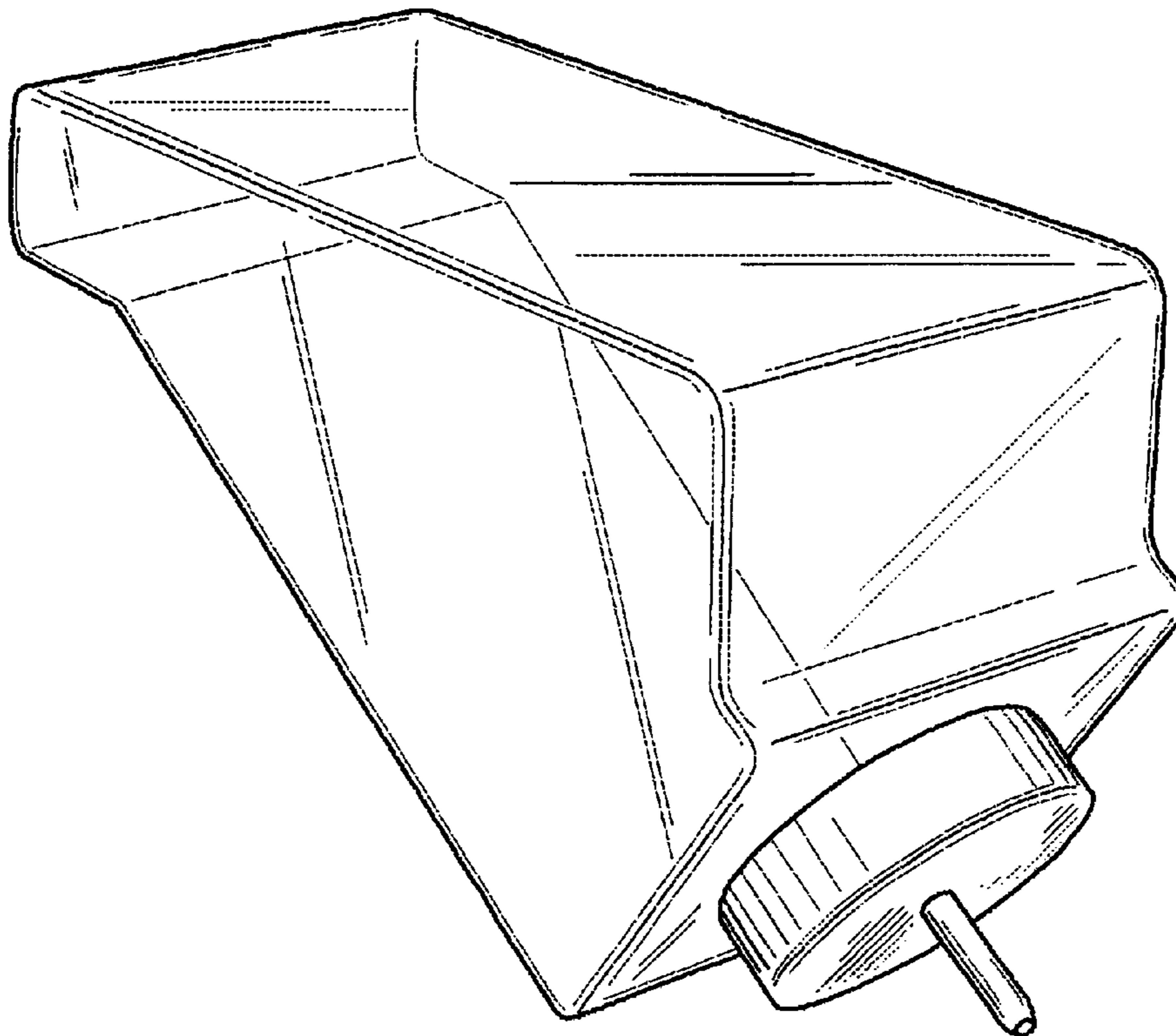


FIG. 1

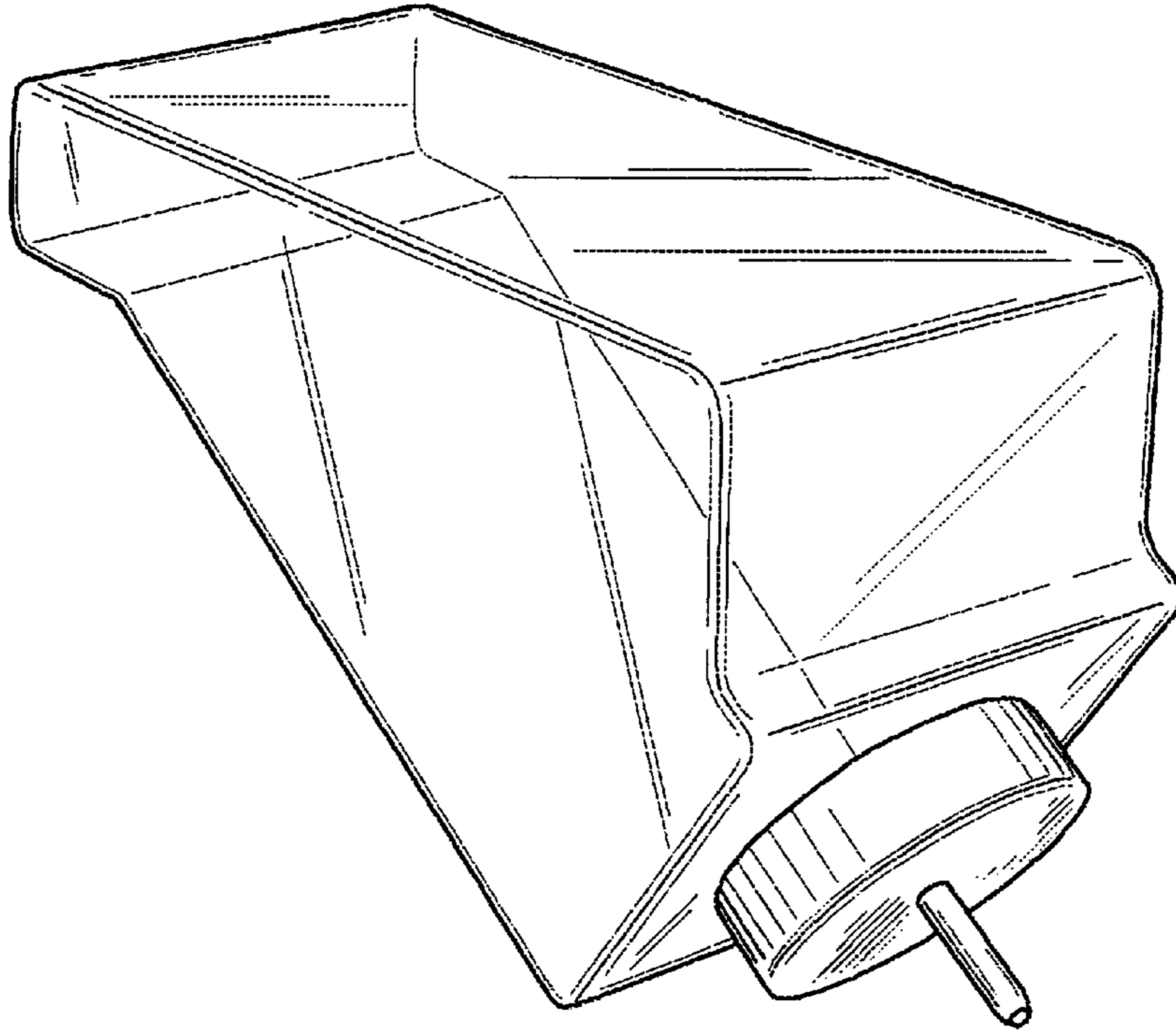


FIG. 2

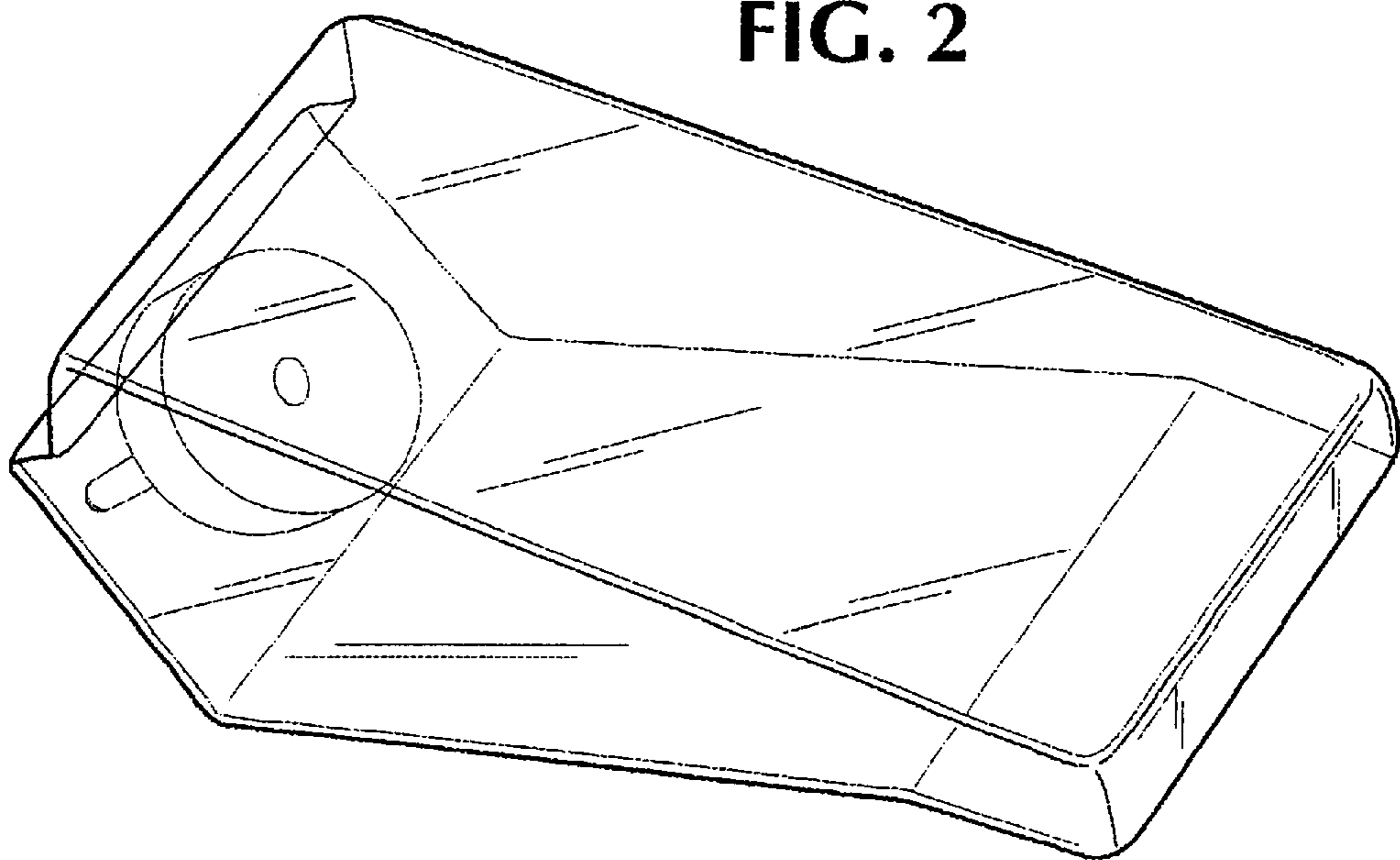


FIG. 3

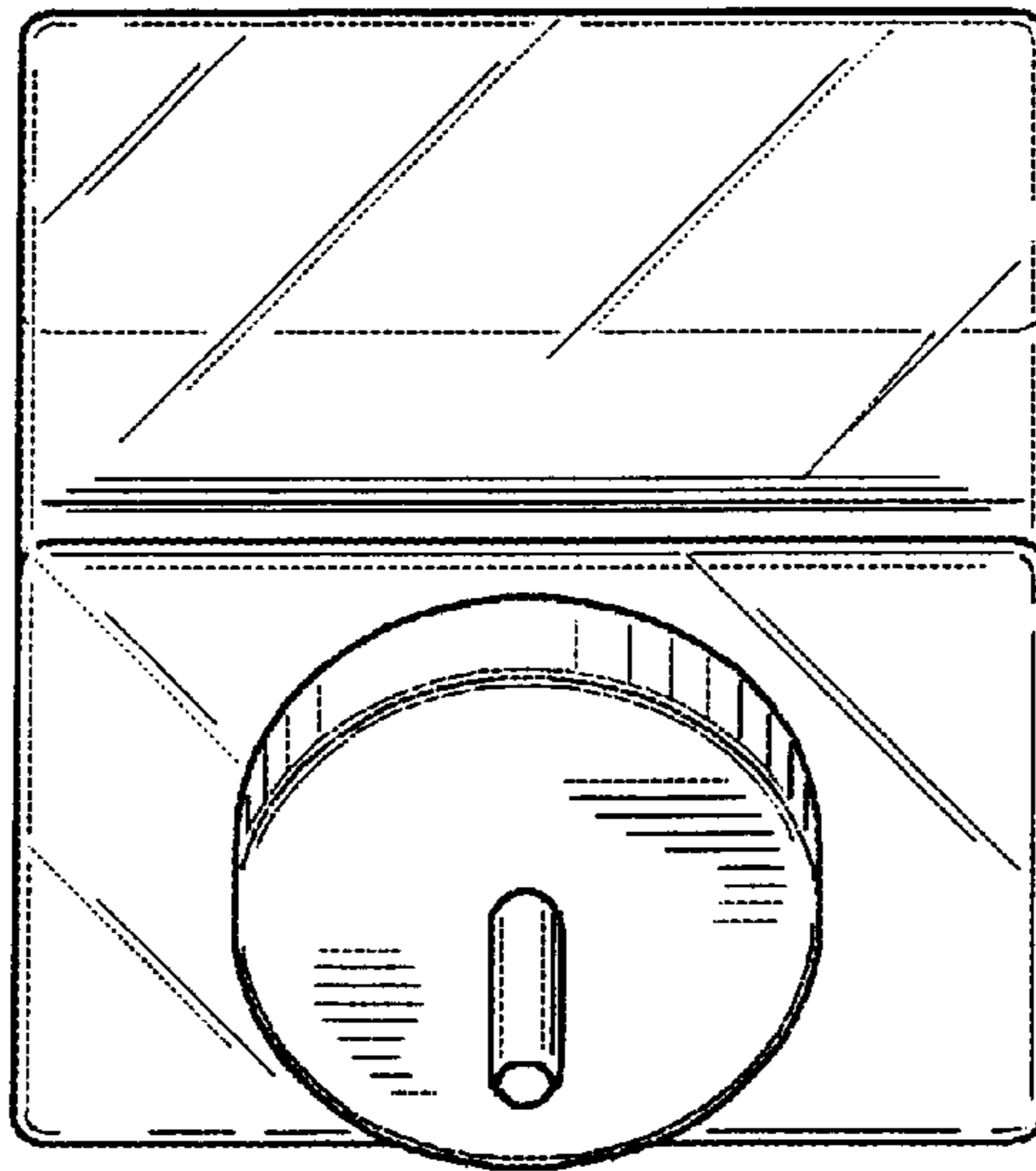


FIG. 4

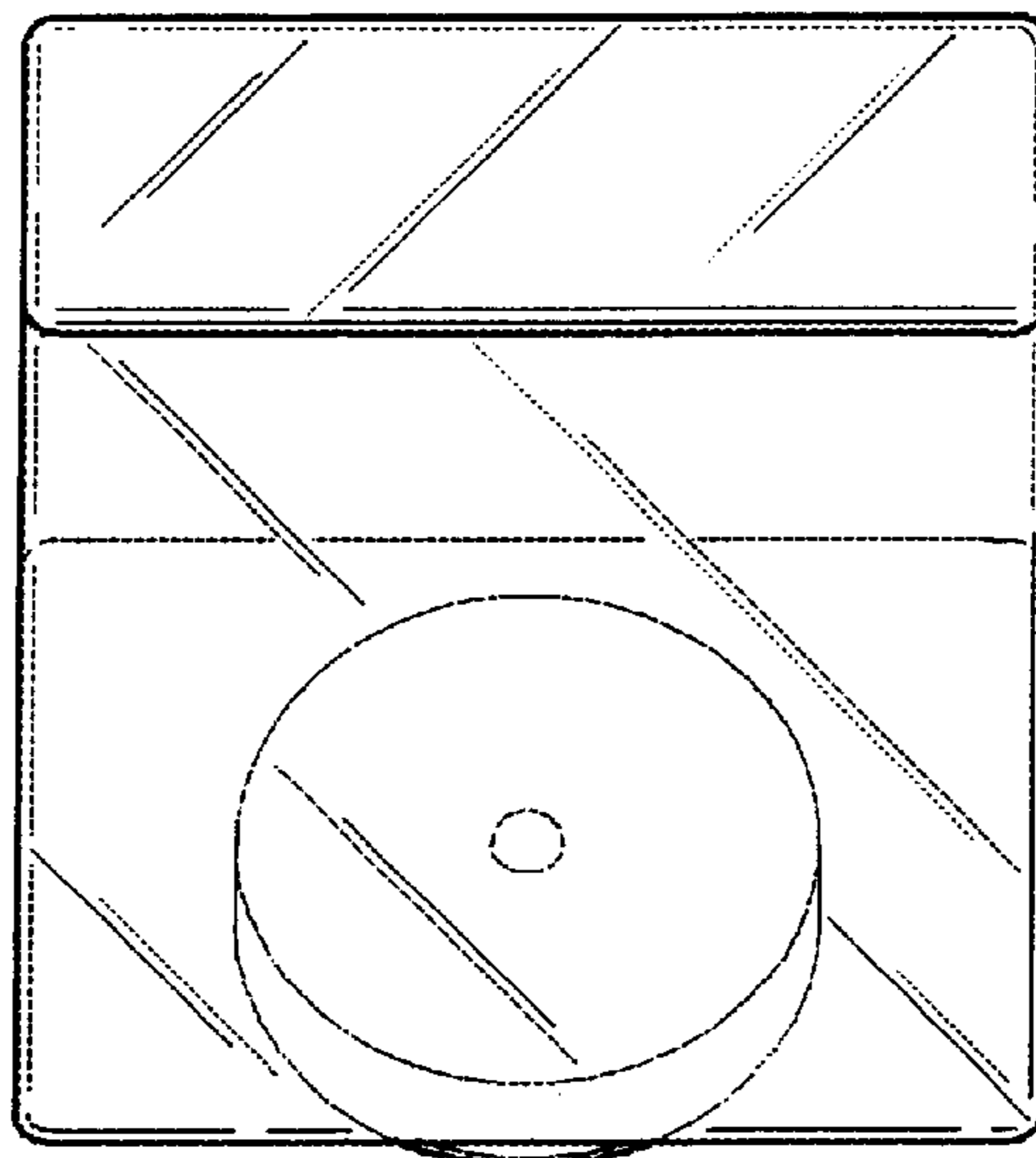


FIG. 5

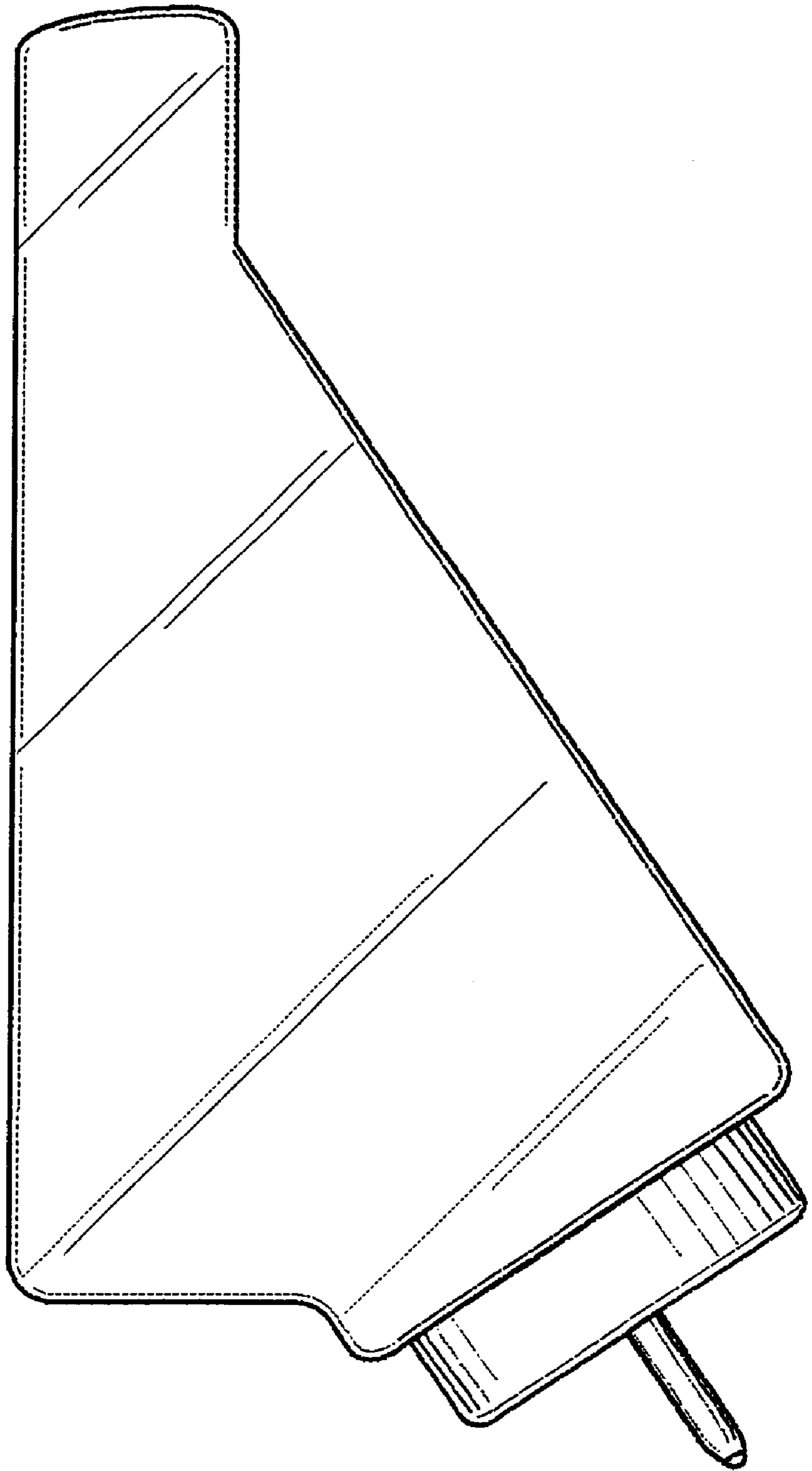


FIG. 6

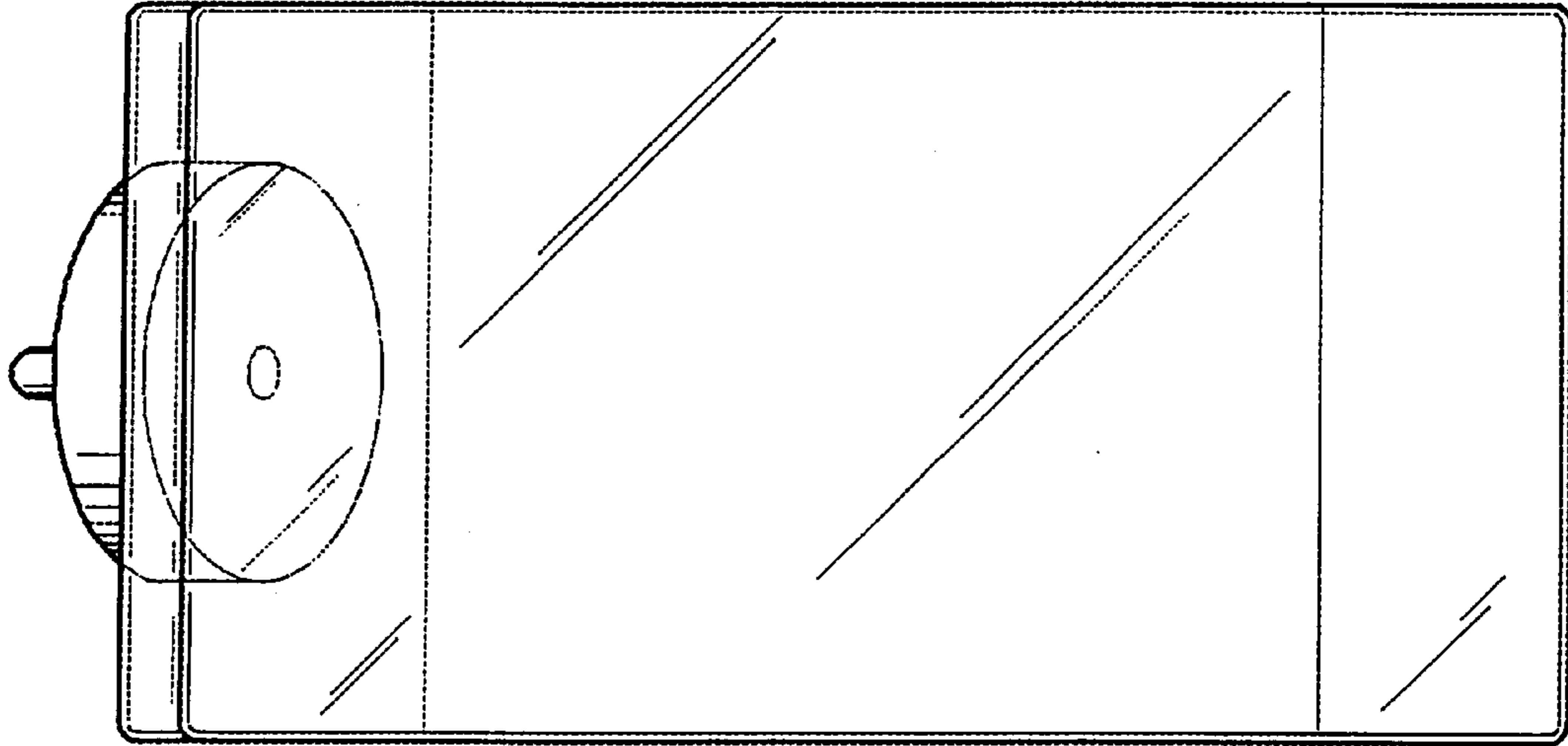


FIG. 7

