



US00D476451S

(12) **United States Design Patent**  
**Morgan, Sr.**

(10) **Patent No.:** **US D476,451 S**

(45) **Date of Patent:** **\*\* Jun. 24, 2003**

(54) **WILD GAME FEEDER**

(76) **Inventor:** **Windell J. Morgan, Sr.**, Rte. 1, Box 83, Folkston, GA (US) 31537

(\*\*) **Term:** **14 Years**

(21) **Appl. No.:** **29/169,872**

(22) **Filed:** **Oct. 28, 2002**

(51) **LOC (7) Cl.** ..... **30-07**

(52) **U.S. Cl.** ..... **D30/121; 119/52.1**

(58) **Field of Search** ..... **D30/121, 124, 128, 132, 133; 119/84, 52.1, 52.2, 53, 53.5, 54, 464, 51.01**

(56) **References Cited**

**U.S. PATENT DOCUMENTS**

4,580,528 A	4/1986	Kendall	
4,799,455 A	* 1/1989	O'Kelley	119/51.01
5,467,736 A	* 11/1995	Reynolds	119/52.2
5,479,881 A	1/1996	Lush et al.	
5,588,394 A	12/1996	Balistreri	

5,901,490 A	5/1999	Lush	
5,992,349 A	11/1999	Sachs	
6,047,661 A	4/2000	Lush	
6,142,100 A	* 11/2000	Marchioro	119/54
6,234,111 B1	5/2001	Ulman et al.	

\* cited by examiner

*Primary Examiner*—Pamela Burgess

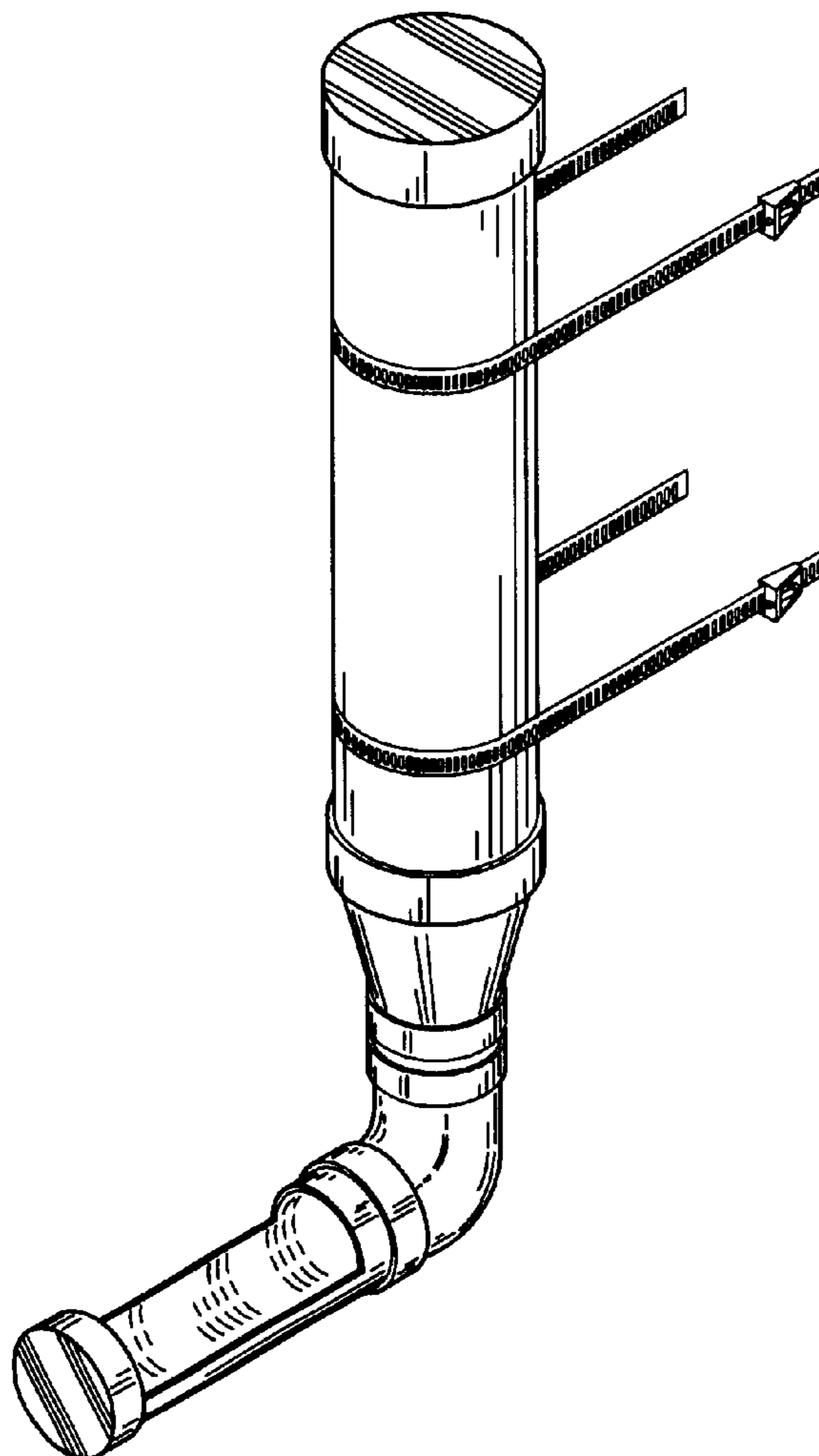
(57) **CLAIM**

The ornamental design for wild game feeder, as shown and described.

**DESCRIPTION**

FIG. 1 is a perspective view of wild game feeder showing my new design;  
FIG. 2 is a front elevational view thereof;  
FIG. 3 is a rear elevational view thereof;  
FIG. 4 is a right side elevational view thereof;  
FIG. 5 is a left side elevational view thereof;  
FIG. 6 is a top plan view, and,  
FIG. 7 is a bottom plan view thereof.

**1 Claim, 4 Drawing Sheets**



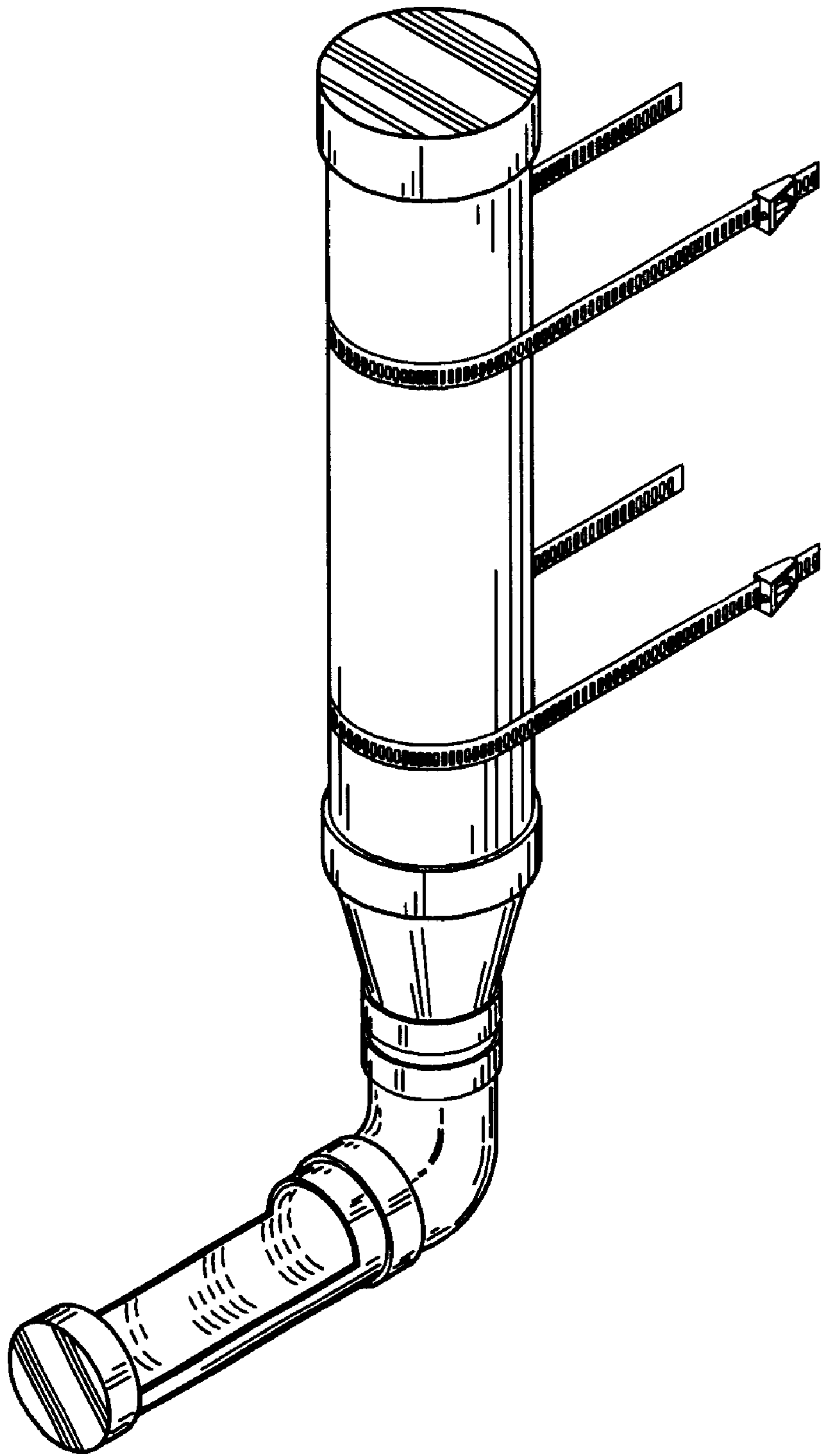


Fig. 1



Fig. 2

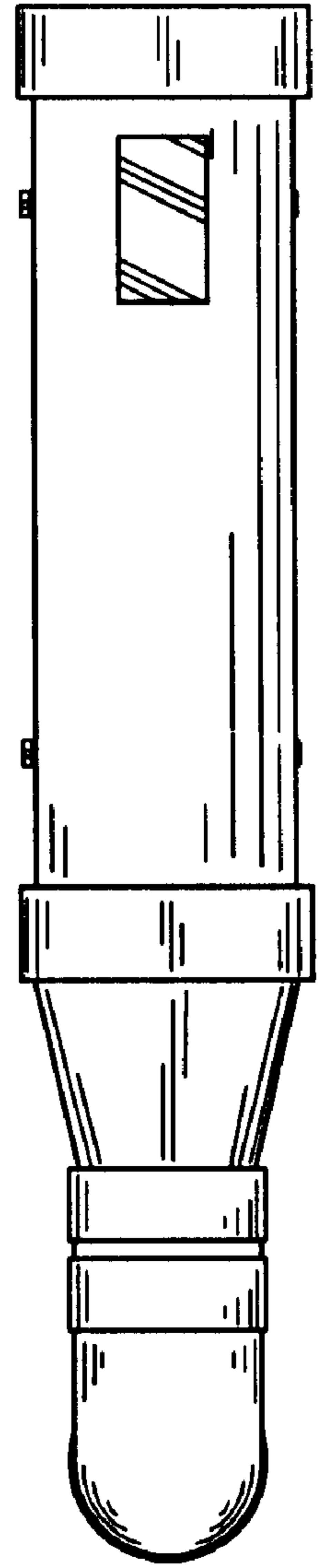


Fig. 3

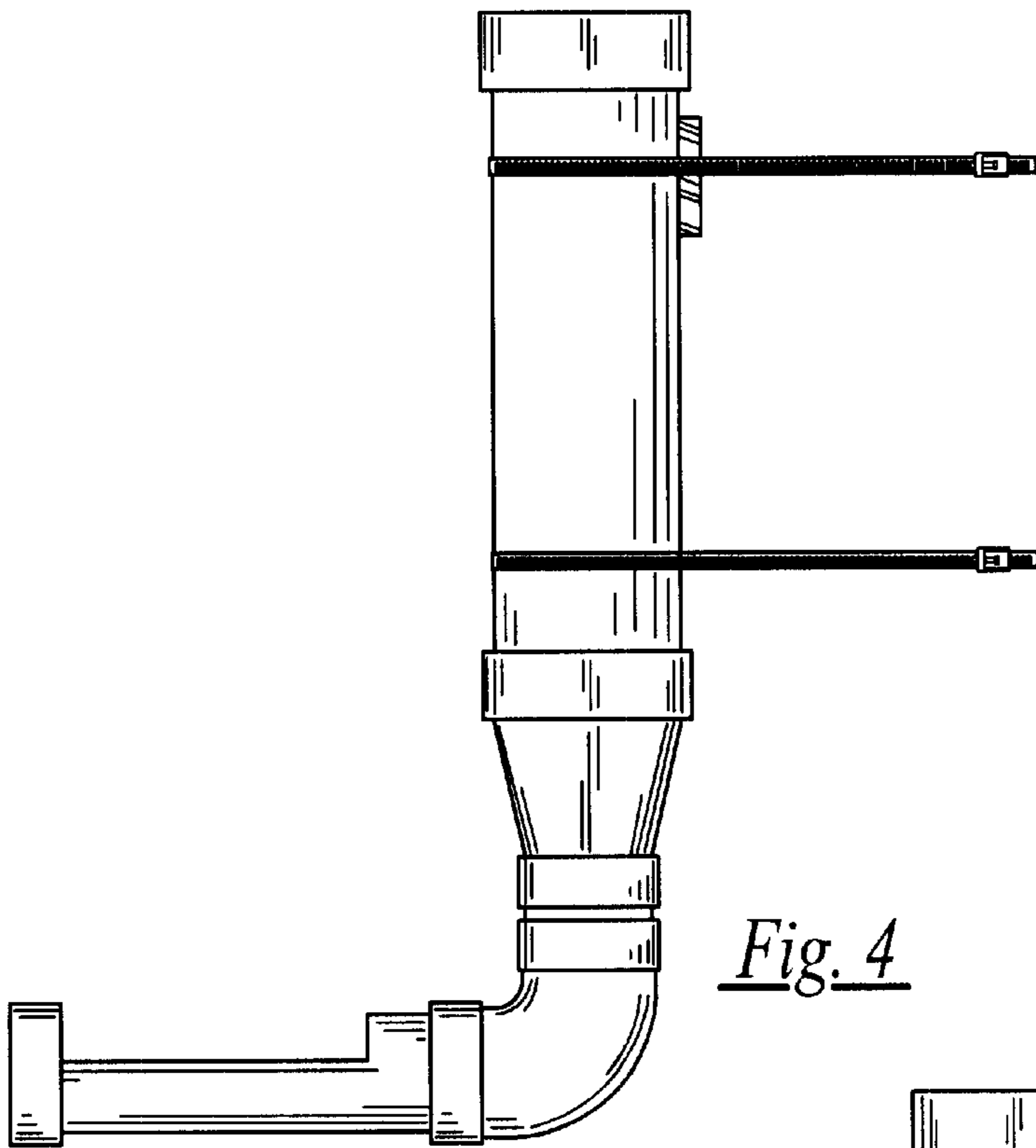


Fig. 4

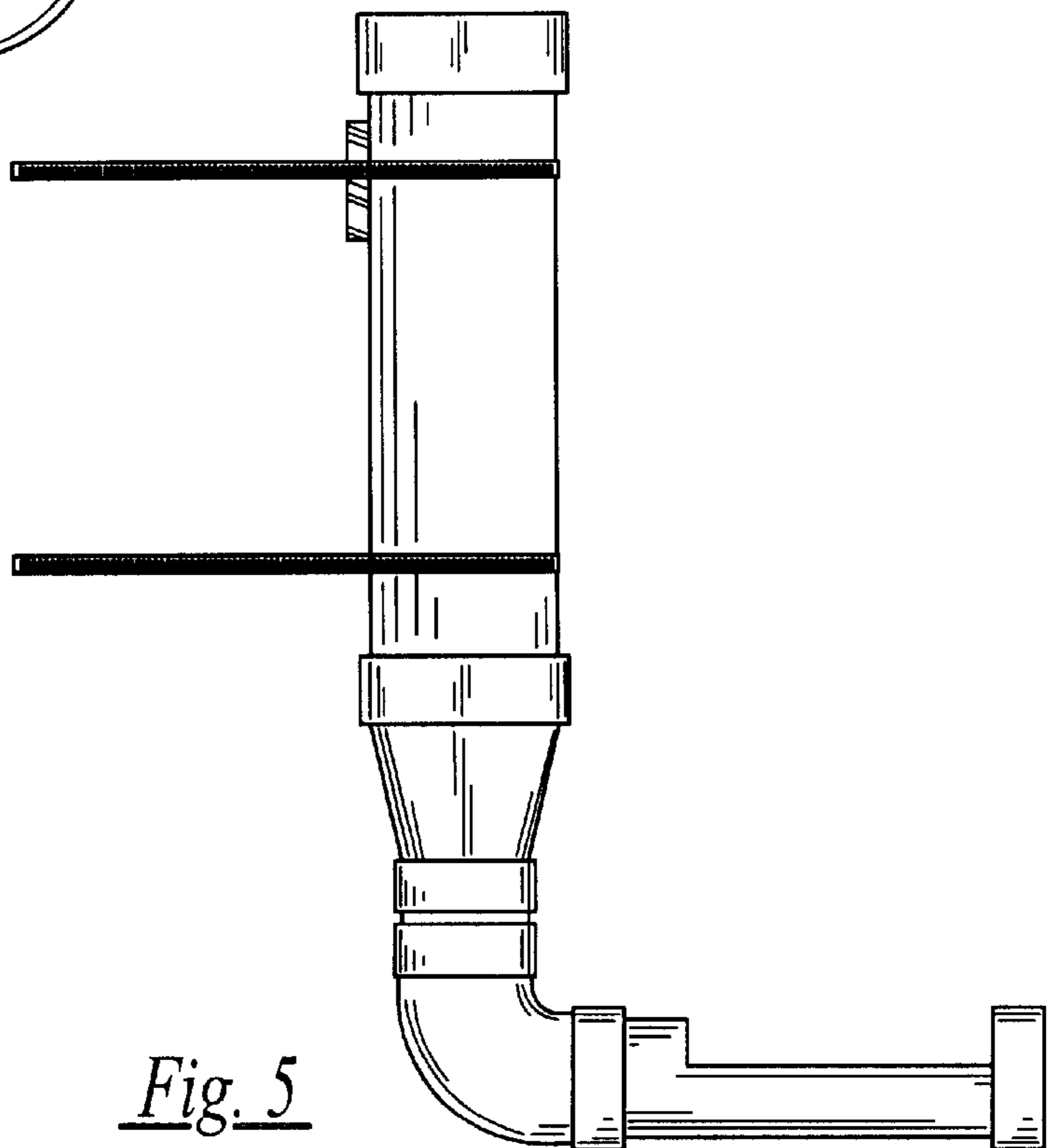


Fig. 5

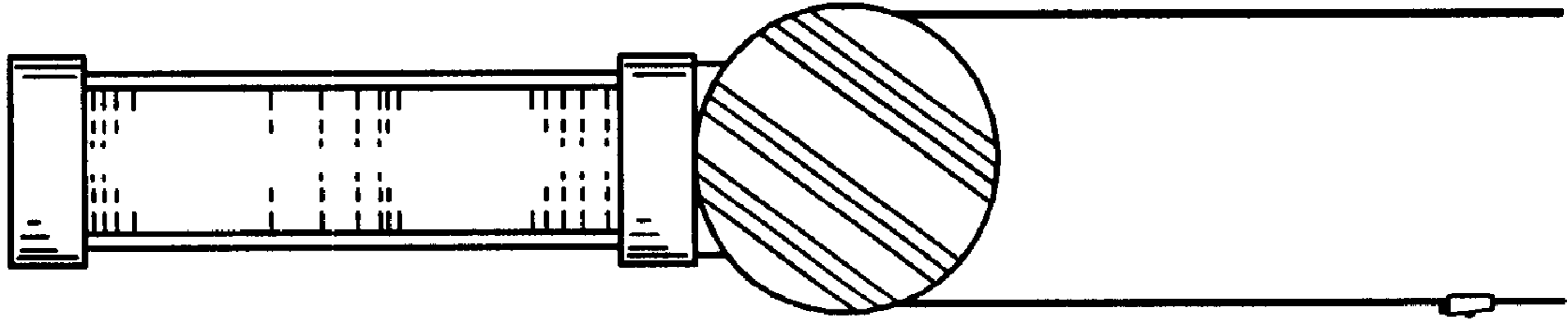


Fig. 6

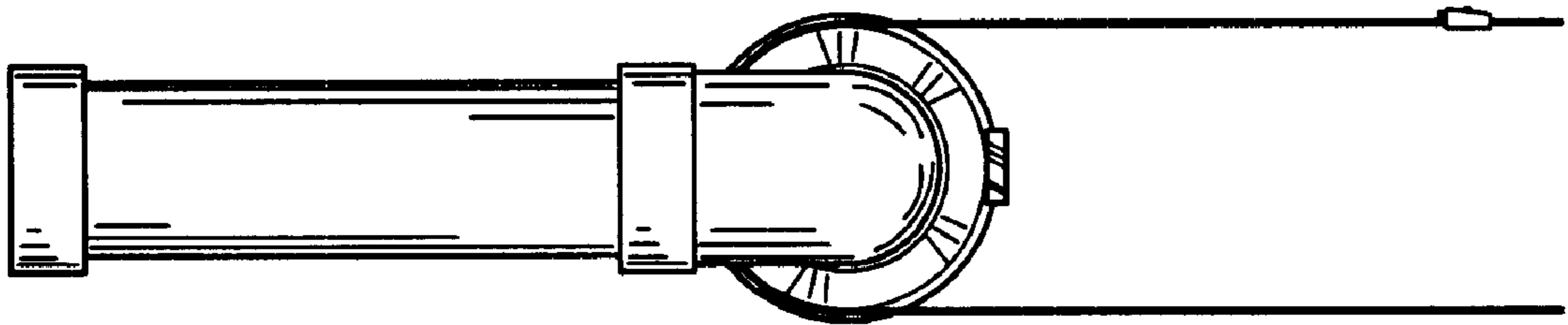


Fig. 7