



US00D476448S

(12) **United States Design Patent**  
**Sheng**

(10) **Patent No.:** **US D476,448 S**

(45) **Date of Patent:** **\*\* Jun. 24, 2003**

(54) **COSMETIC CASE**

D409,801 S \* 5/1999 Kim ..... D28/83

(76) Inventor: **Wen-Cheng Sheng**, No. 71, Lane 96,  
Da-Shing St., Tainan City (TW)

\* cited by examiner

(\*\*) Term: **14 Years**

*Primary Examiner*—Jennifer Rivard

(74) *Attorney, Agent, or Firm*—Lackenbach Siegel LLP

(21) Appl. No.: **29/172,878**

(57) **CLAIM**

(22) Filed: **Dec. 18, 2002**

The ornamental design for a cosmetic case, as shown and described.

(51) **LOC (7) Cl.** ..... **28-03**

**DESCRIPTION**

(52) **U.S. Cl.** ..... **D28/83**

(58) **Field of Search** ..... D28/73, 76, 78-84;  
D3/295; 220/DIG. 26; 206/581, 823; 132/293-307,  
314-315

FIG. 1 is a perspective view of cosmetic case showing the new design;

FIG. 2 is a front elevational view thereof;

FIG. 3 is a rear elevational view thereof;

FIG. 4 is a left side elevational view thereof;

FIG. 5 is a right side elevational view thereof;

FIG. 6 is a top plan view thereof; and,

FIG. 7 is a bottom plan view thereof.

(56) **References Cited**

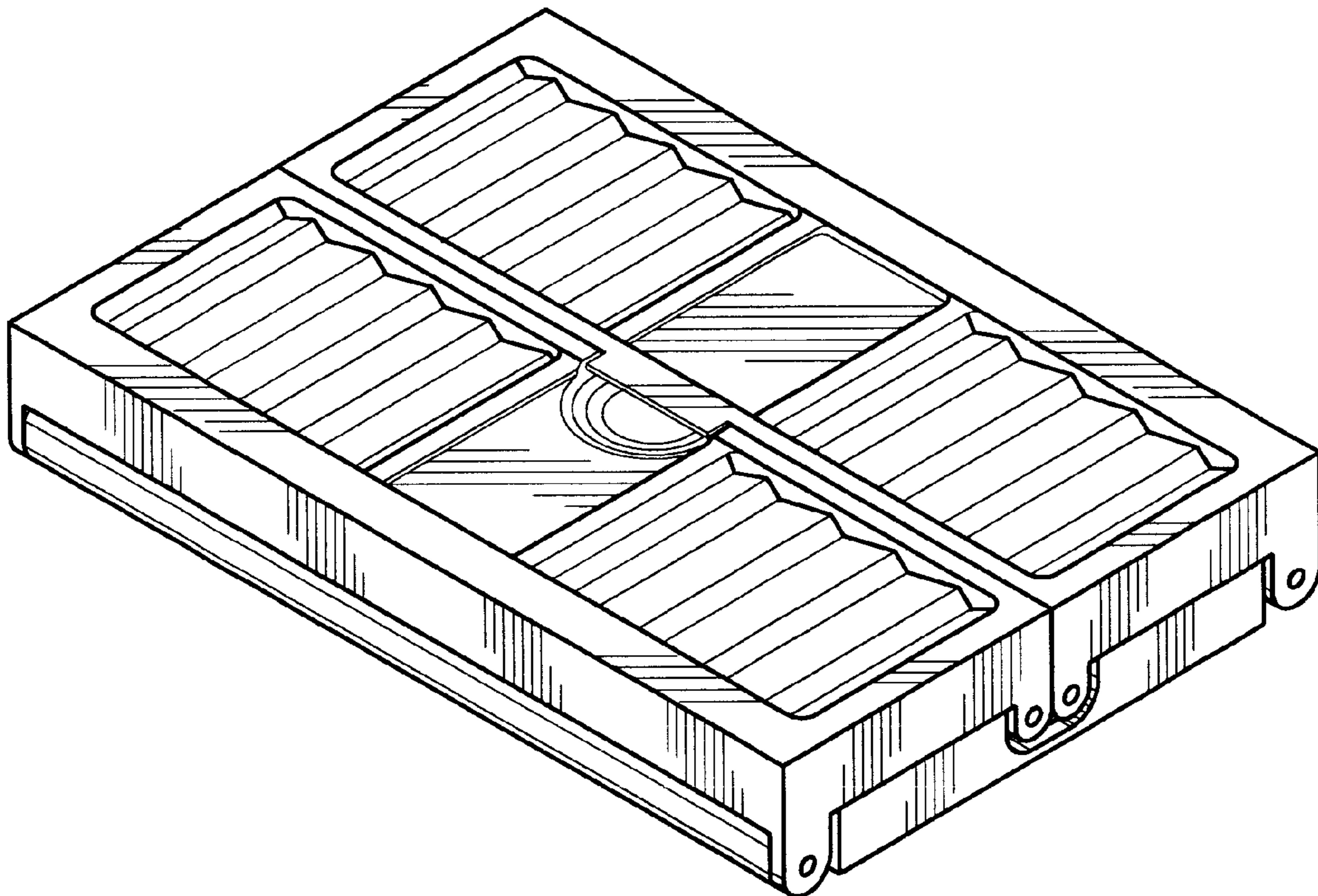
**U.S. PATENT DOCUMENTS**

D241,176 S \* 8/1976 Kingsford ..... D28/78

D272,007 S \* 12/1983 Cheung ..... D28/83

D397,870 S \* 9/1998 De Winter ..... D28/83

**1 Claim, 4 Drawing Sheets**



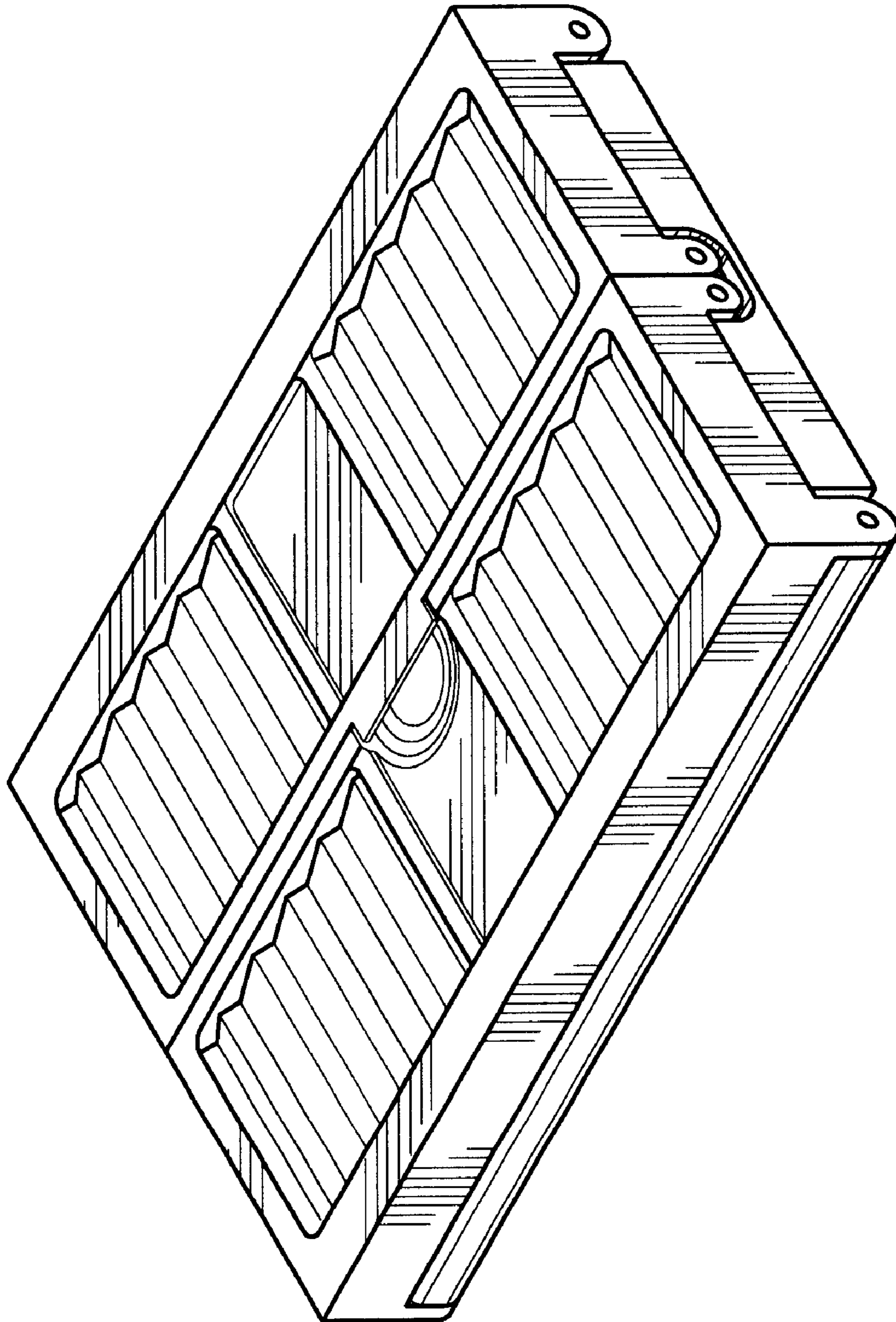


FIG. 1

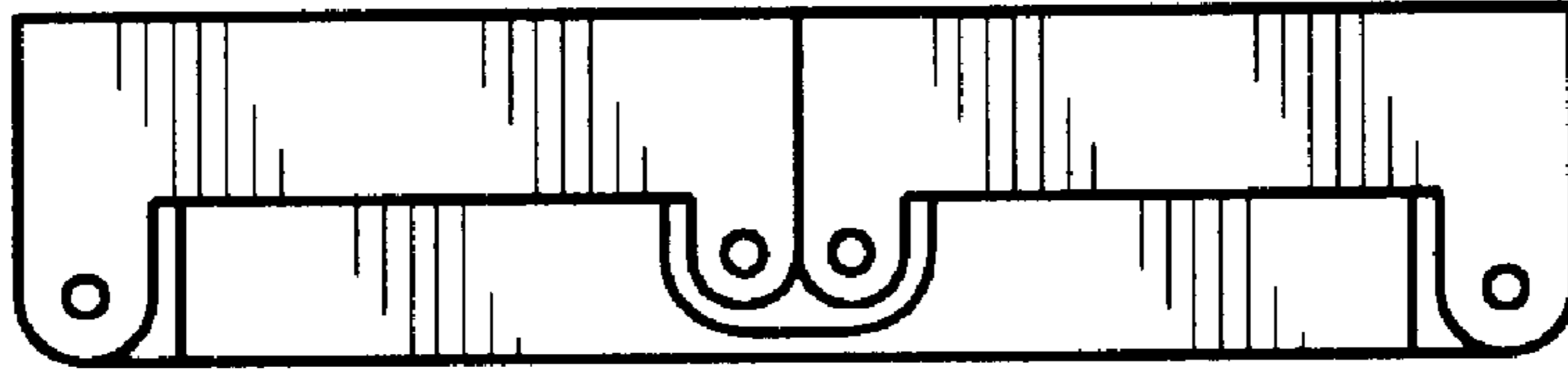


FIG. 2

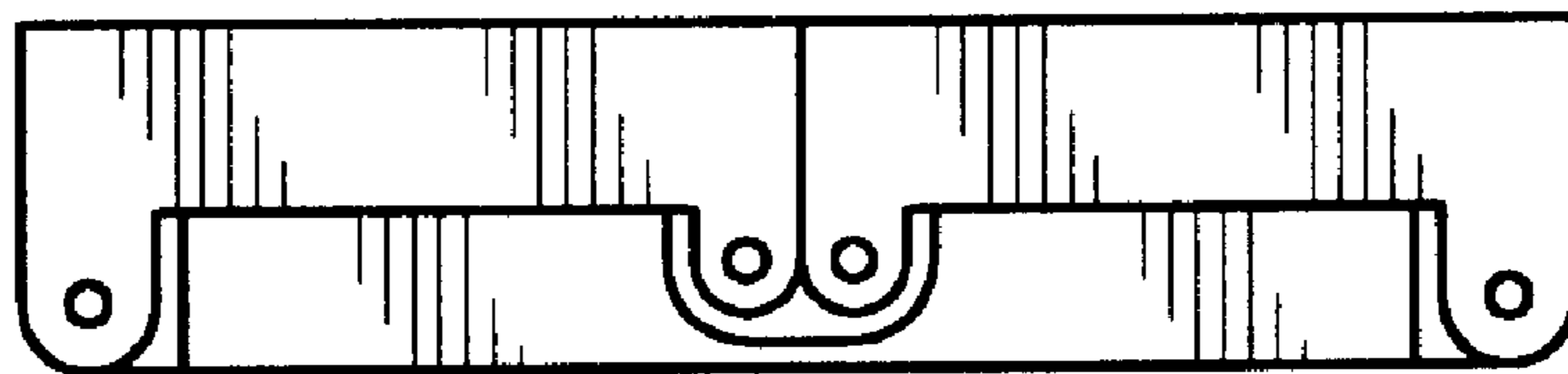


FIG. 3

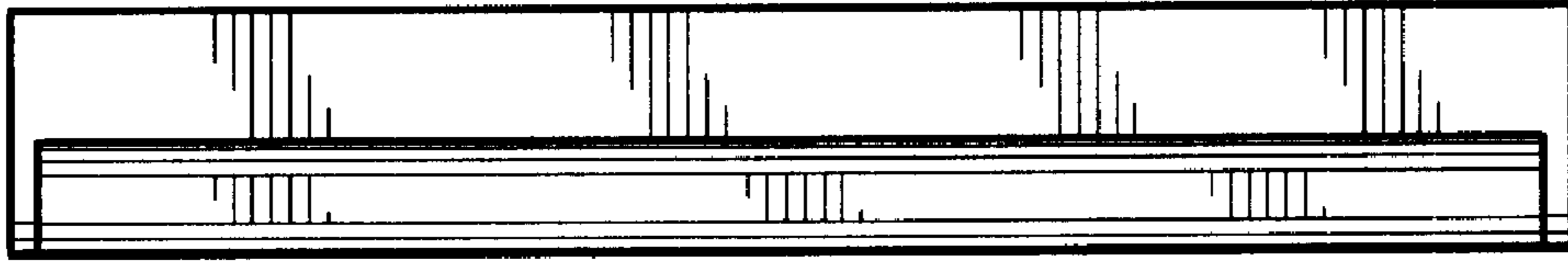


FIG. 4

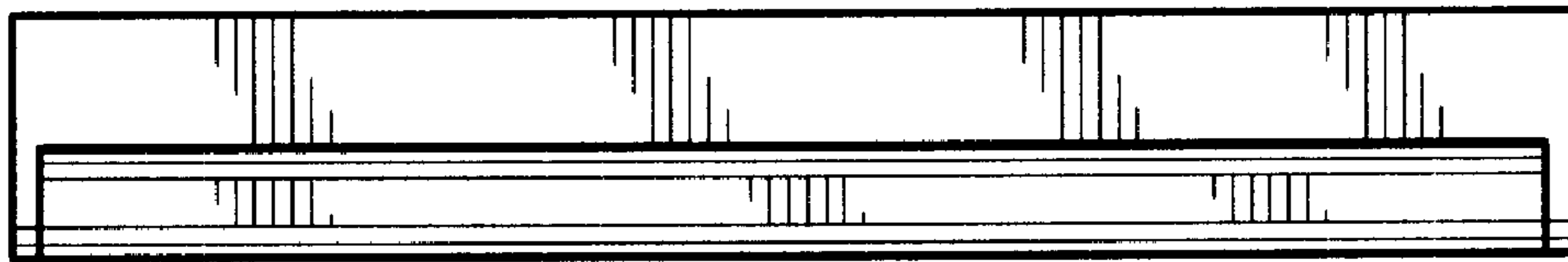


FIG. 5

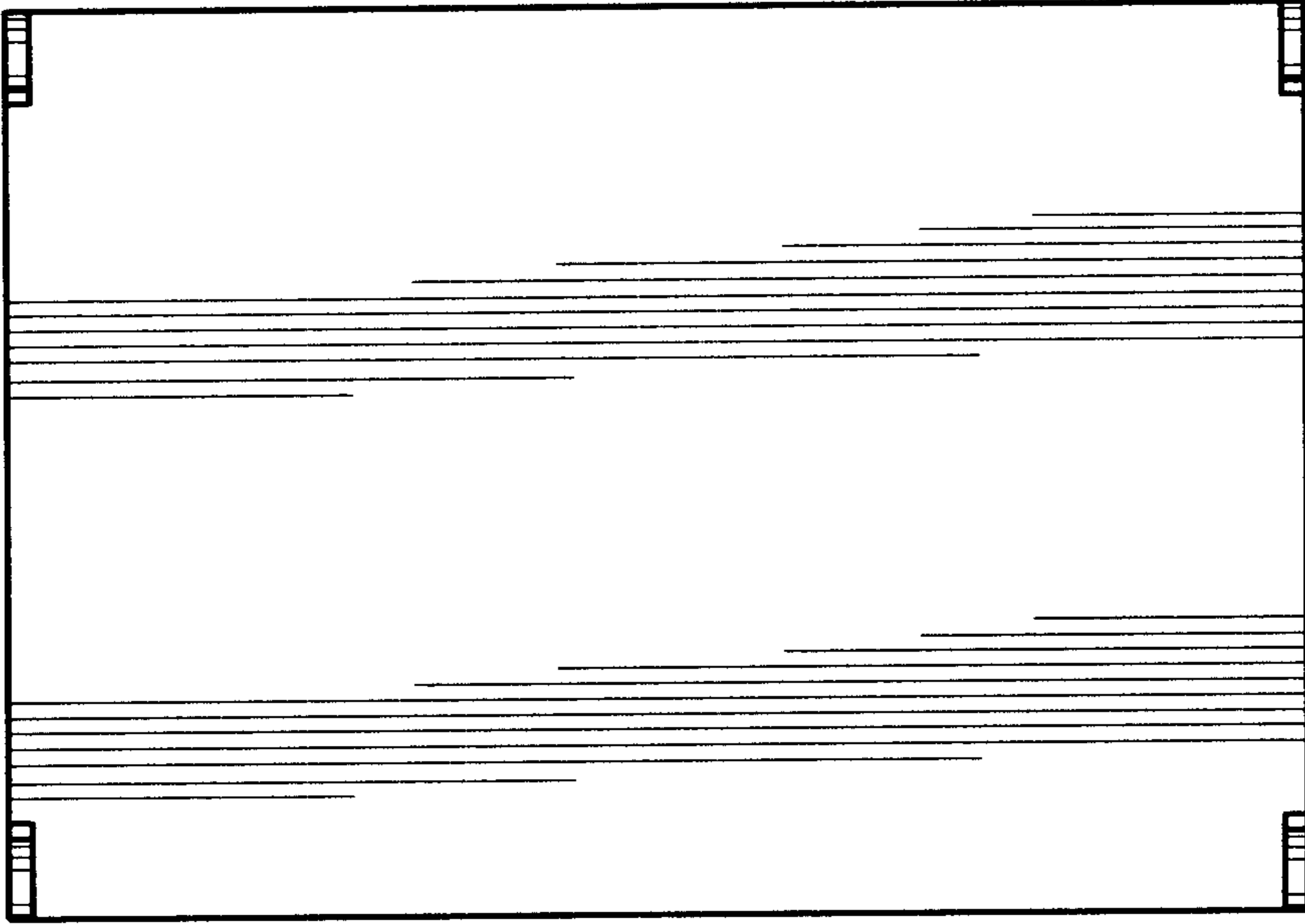


FIG. 7

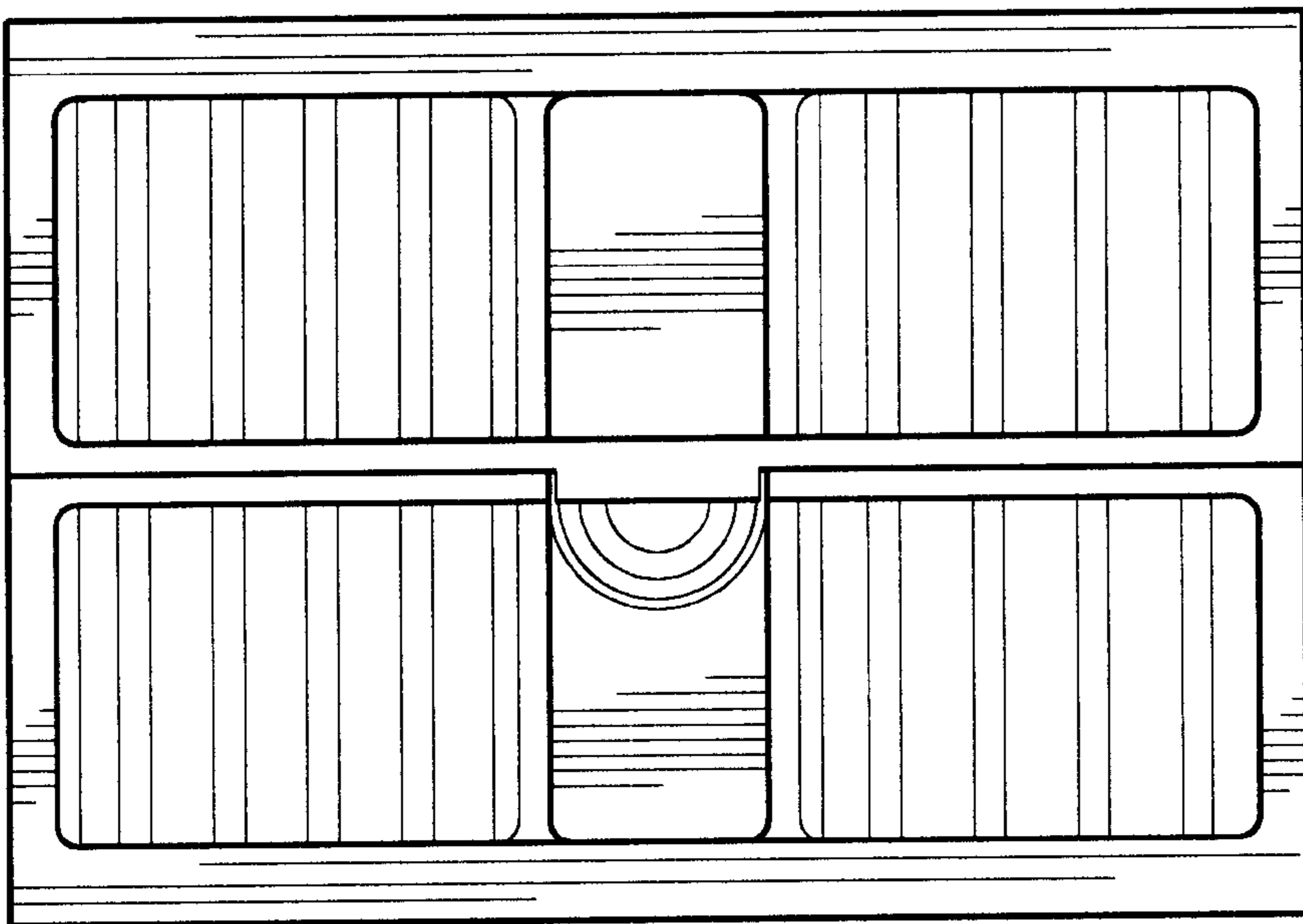


FIG. 6