



US00D476444S

(12) **United States Design Patent**
Hara et al.

(10) **Patent No.:** **US D476,444 S**

(45) **Date of Patent:** **** Jun. 24, 2003**

(54) **ELECTRIC NOSE HAIR SHAVER OR CUTTER**

(75) Inventors: **Shigehito Hara**, Kadoma (JP); **Seizer Gerhard**, Kadoma (JP)

(73) Assignee: **Matsushita Electric Works, Ltd.**, Kadoma (JP)

(**) Term: **14 Years**

(21) Appl. No.: **29/162,998**

(22) Filed: **Jun. 27, 2002**

(30) **Foreign Application Priority Data**

Dec. 27, 2001 (JP) 2001-038470

(51) **LOC (7) Cl.** **28-03**

(52) **U.S. Cl.** **D28/53; D28/50**

(58) **Field of Search** D28/49-54; 30/34.05, 30/34.1, 34.2, 41.9, 43, 43.1-43.9, 43.91, 43.92, 44, 45

(56) **References Cited**

U.S. PATENT DOCUMENTS

D368,984 S	4/1996	Nakashima et al.	D28/53
D388,543 S	12/1997	Eguchi et al.	D28/53
D437,453 S	* 2/2001	Pinchuk	D28/50
D455,229 S	* 4/2002	Lau	D28/53

* cited by examiner

Primary Examiner—Jennifer Rivard
(74) *Attorney, Agent, or Firm*—Oblon, Spivak, McClelland, Maier & Neustadt, P.C.

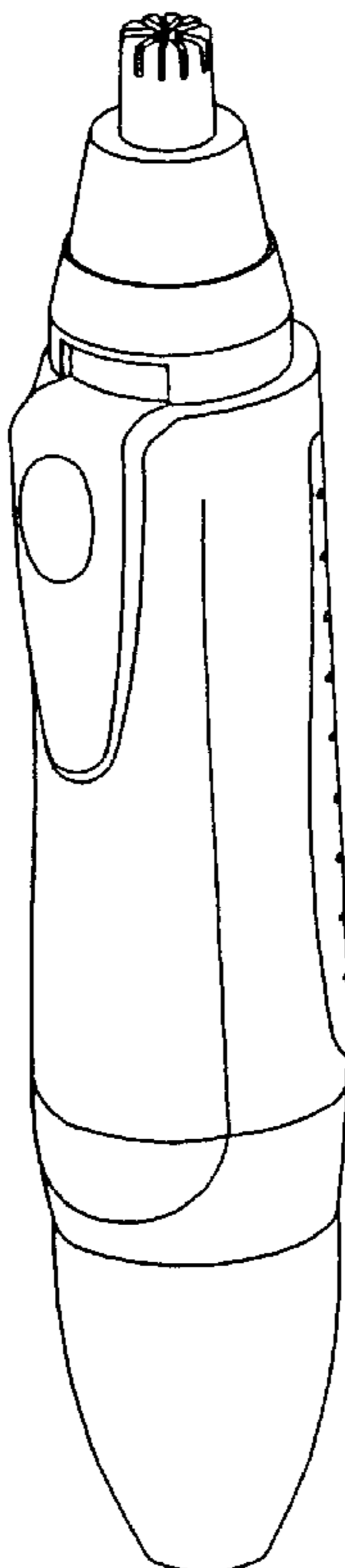
(57) **CLAIM**

The ornamental design for an electric nose hair shaver or cutter, as shown and described.

DESCRIPTION

FIG. 1 is a top and right front perspective view of an electric nose hair shaver or cutter, showing our design;
 FIG. 2 is a front elevational view thereof;
 FIG. 3 is a right side elevational view thereof, the left side elevational view being a mirror image of the side view shown;
 FIG. 4 is a top plan view thereof;
 FIG. 5 is an enlarged top plan view thereof;
 FIG. 6 is a rear elevational view thereof; and
 FIG. 7 is a bottom plan view thereof;
 FIG. 8 is an enlarged bottom plan view thereof;
 FIG. 9 is a cross-sectional view thereof taken along line 9—9 in FIG. 2 wherein internal structure has been omitted.
 FIG. 10 is a cross-sectional view thereof taken along line 10—10 in FIG. 2 wherein internal structure has been omitted.
 FIG. 11 is an enlarged cross-sectional view taken along line 11—11 in FIG. 9; and,
 FIG. 12 is a top, front and right side perspective view thereof with the cap member removed and attached to the bottom when in use.

1 Claim, 8 Drawing Sheets



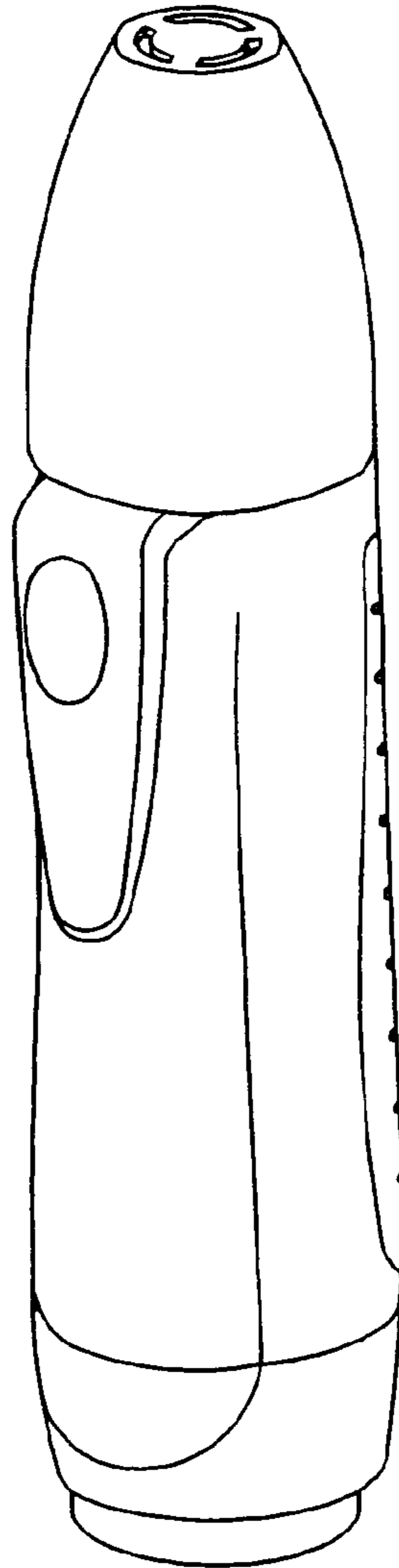


FIG. 1

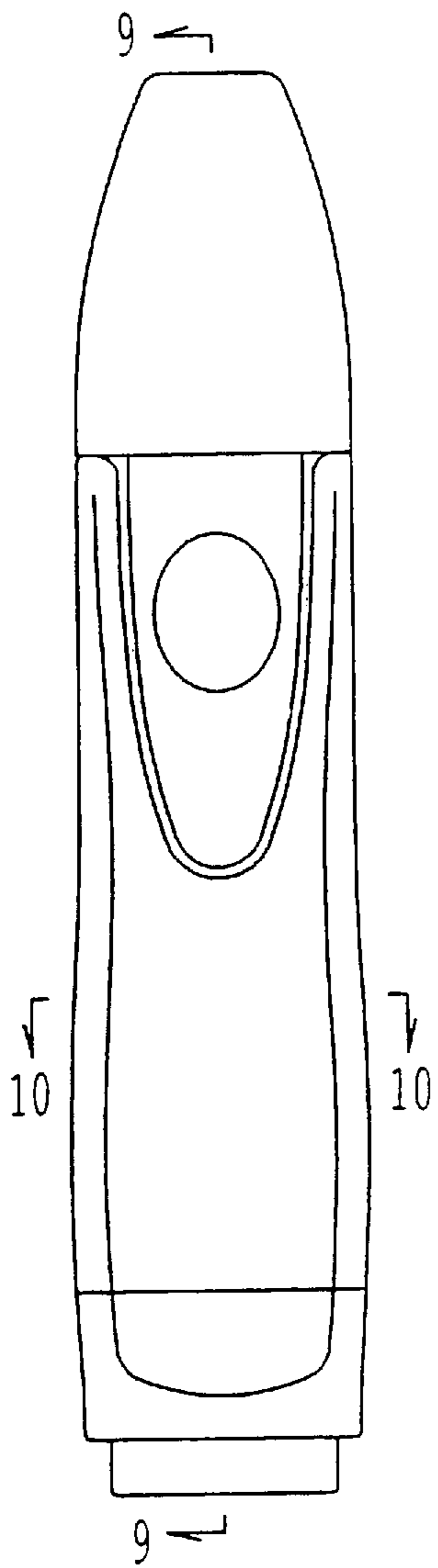


FIG. 2

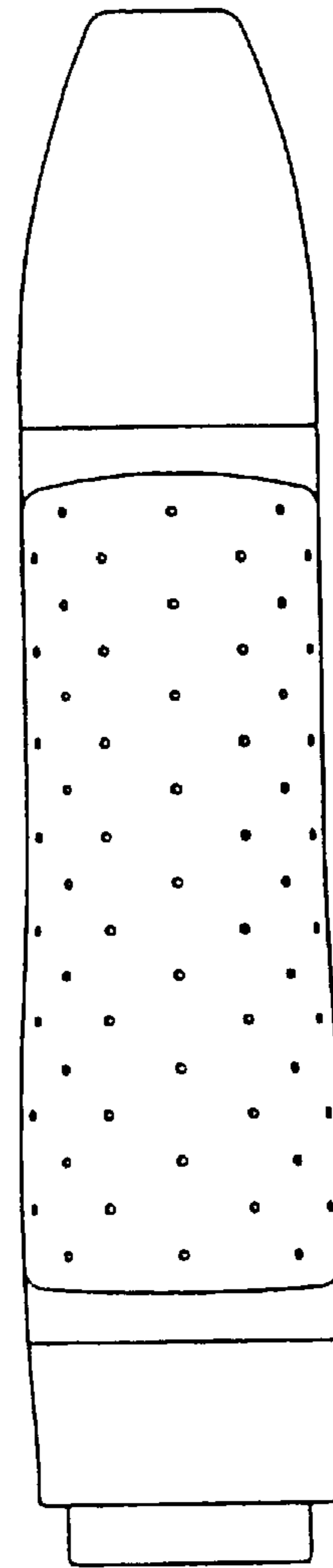


FIG. 6

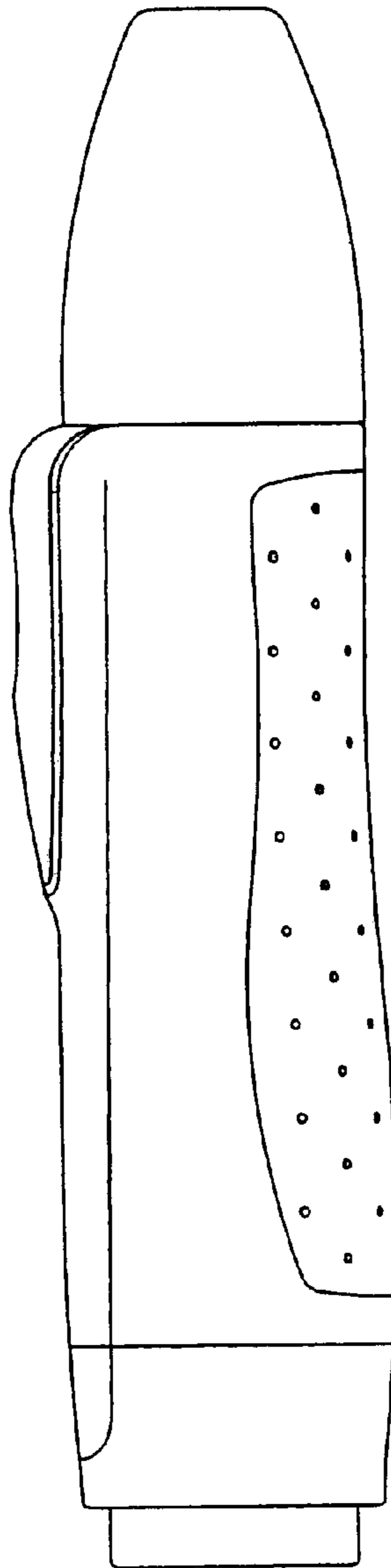


FIG.3

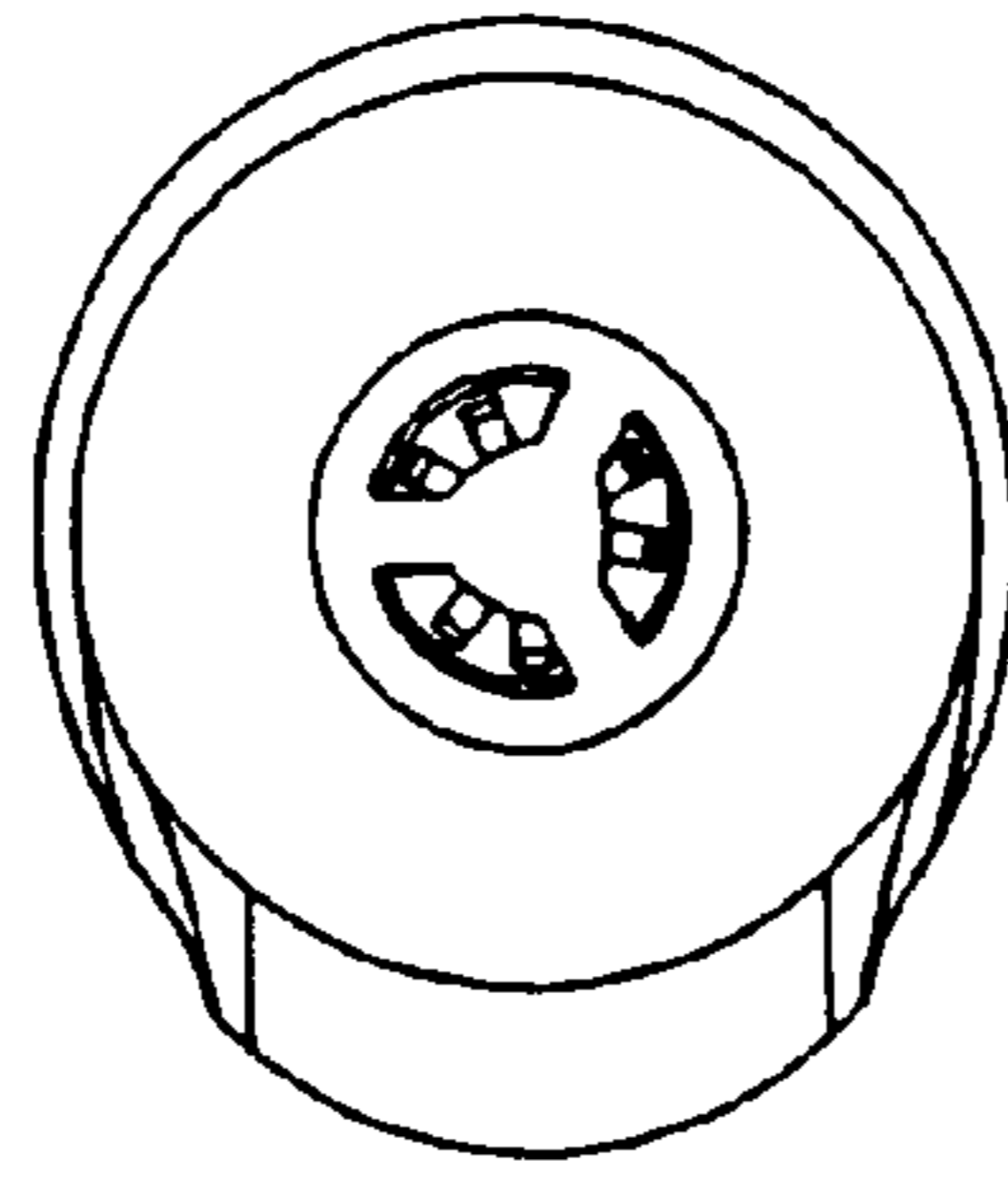


FIG. 4

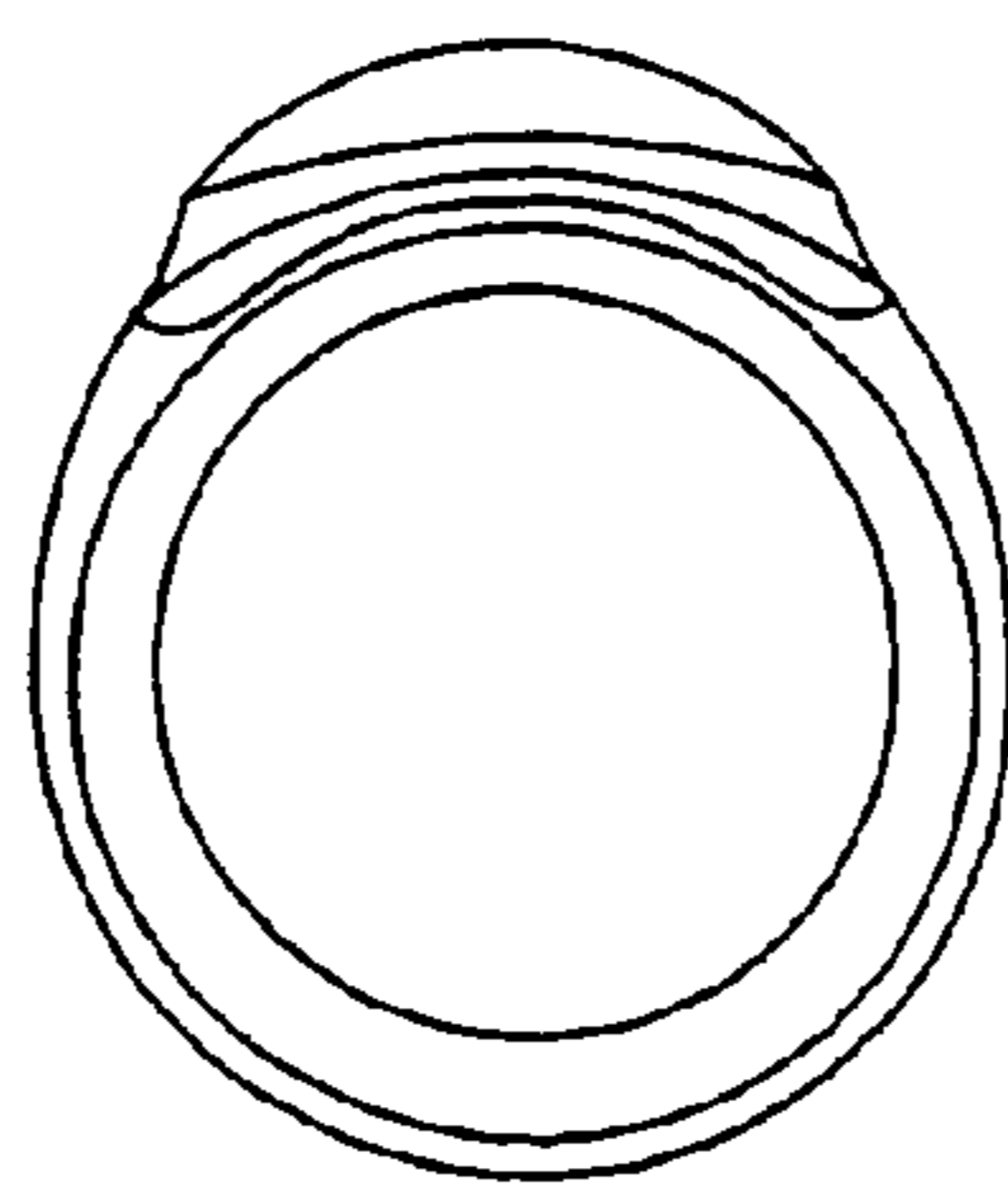


FIG. 7

FIG. 5

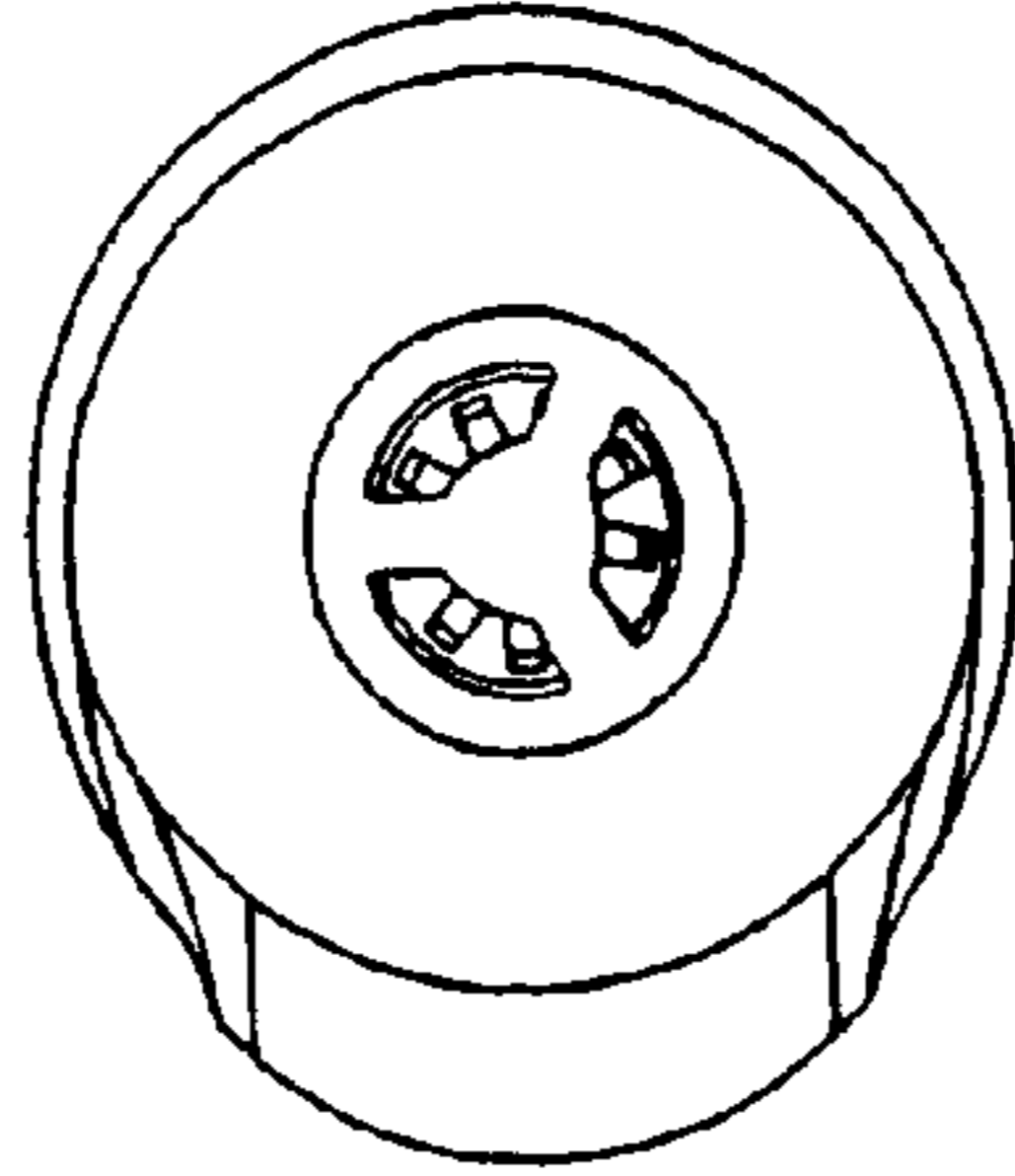
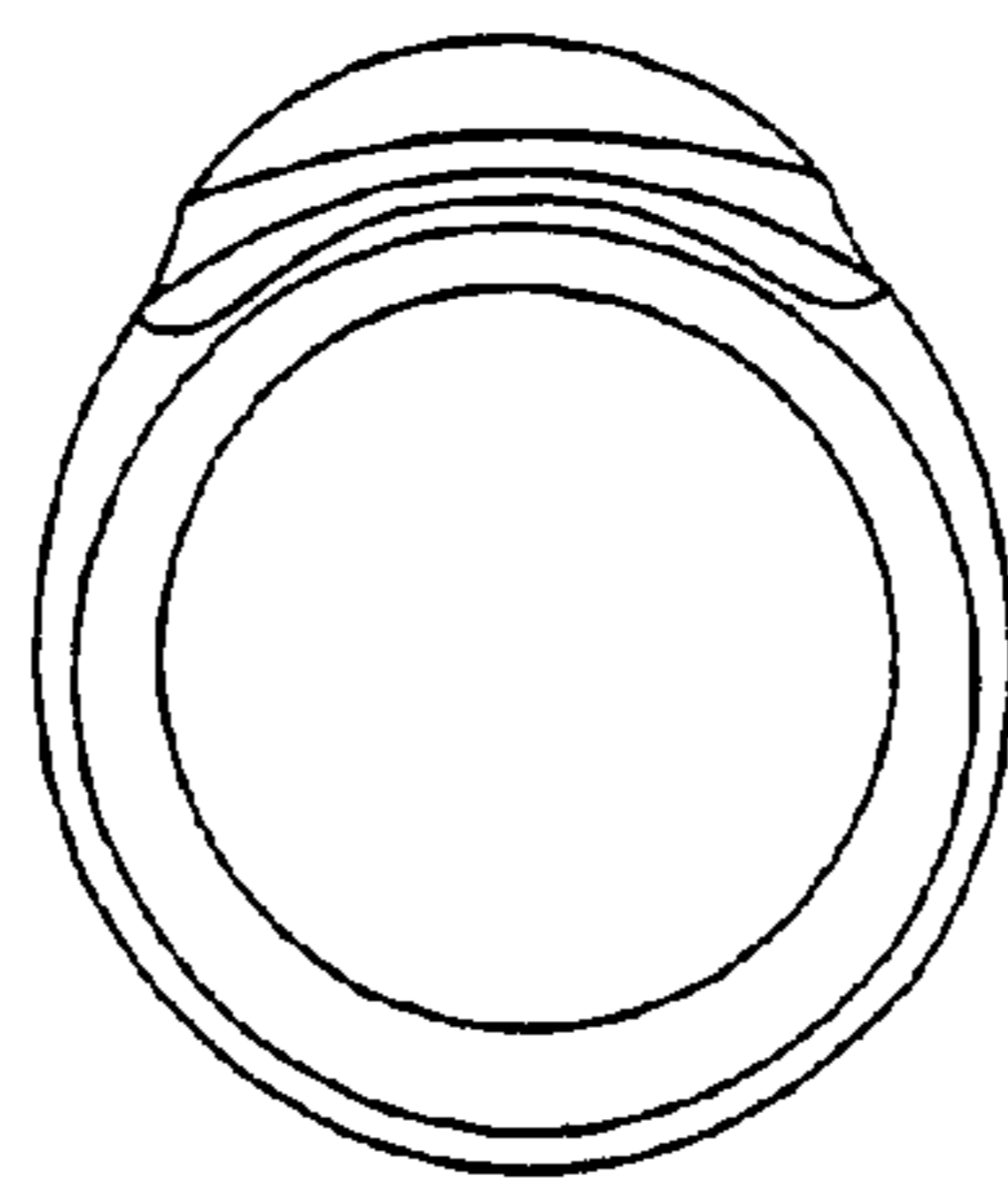


FIG. 8



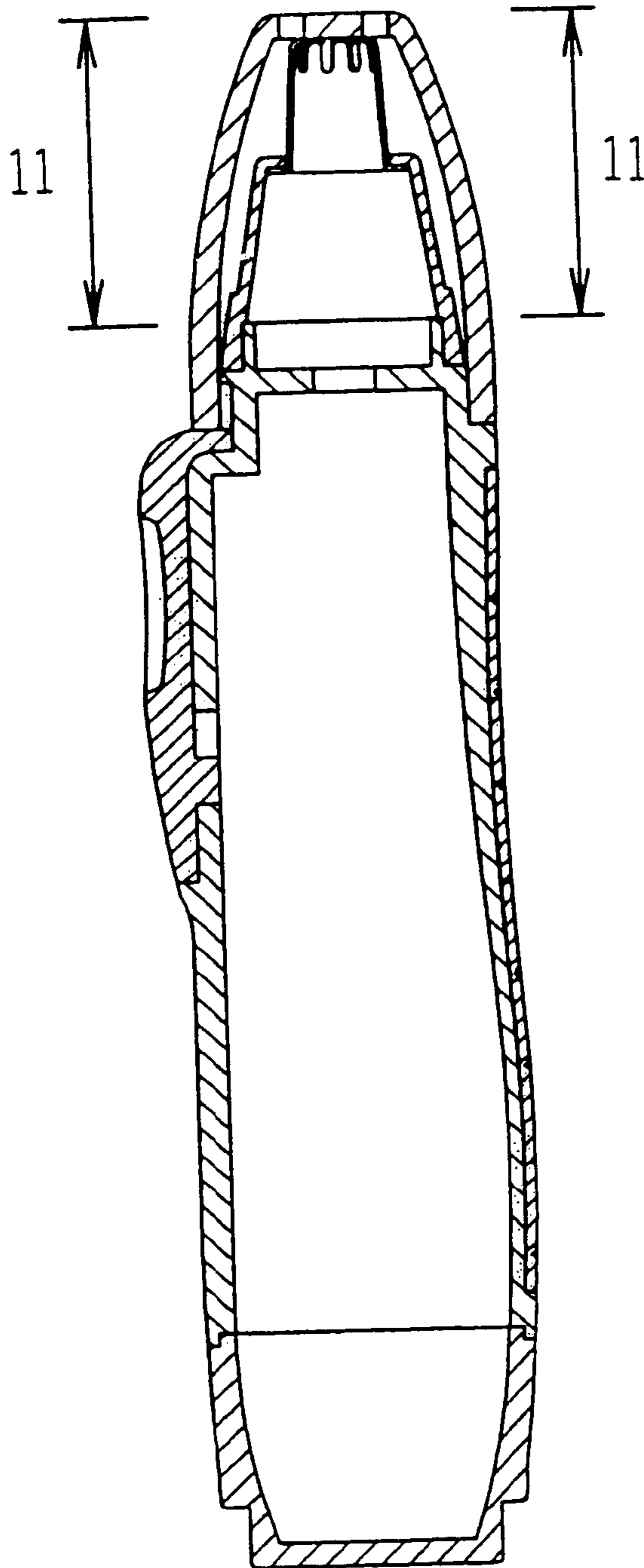


FIG. 9

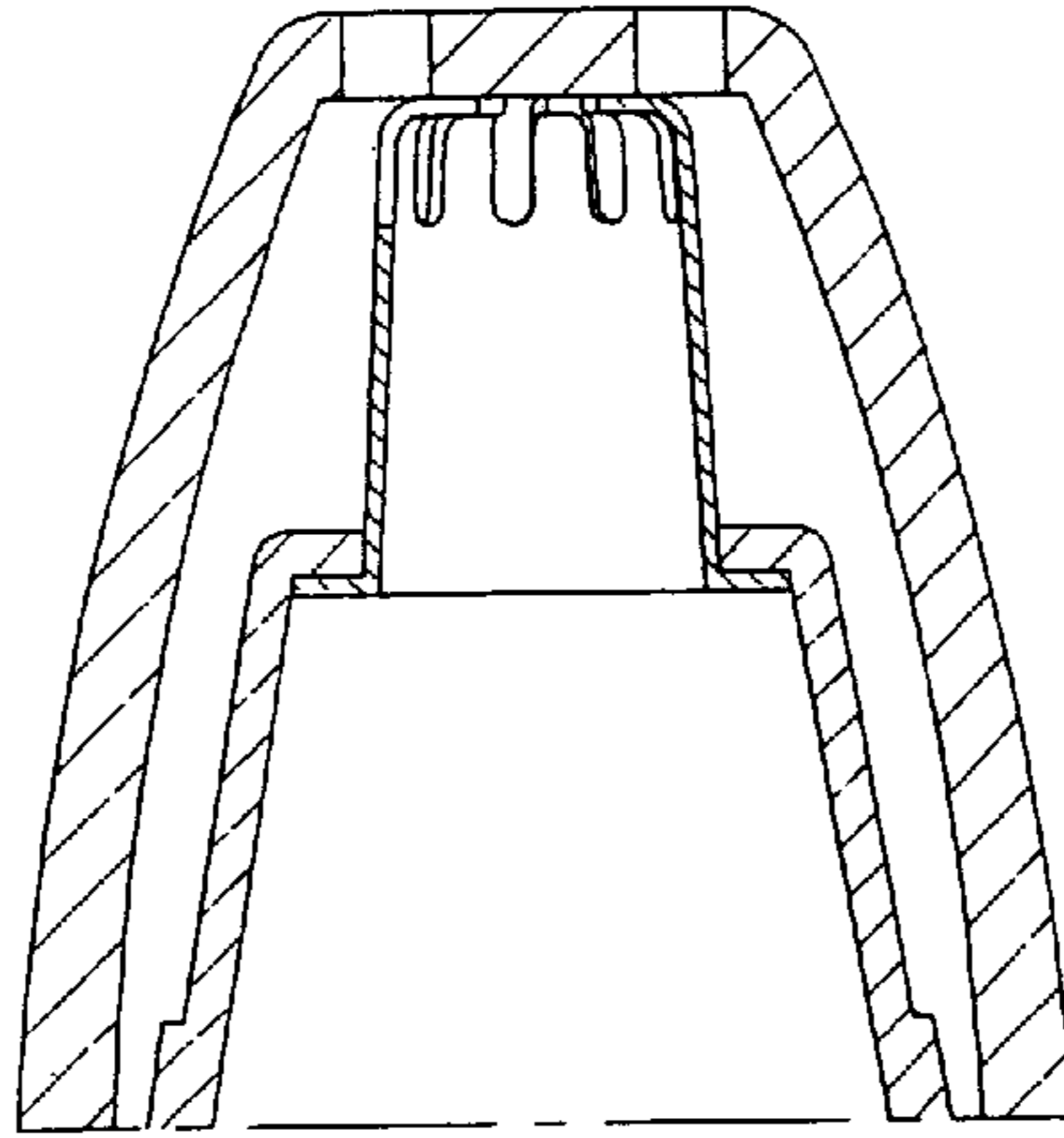


FIG. 11

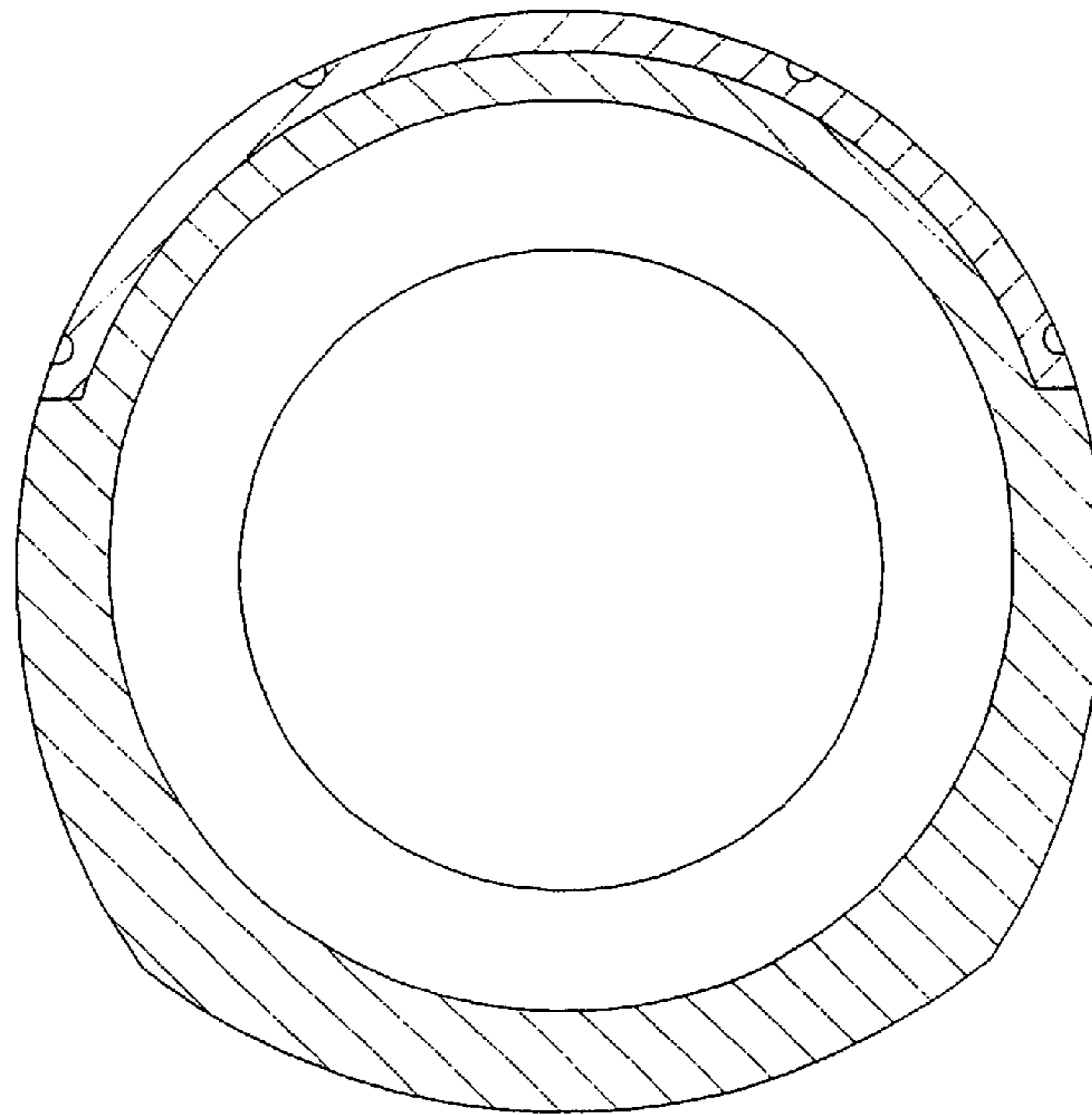


FIG. 10

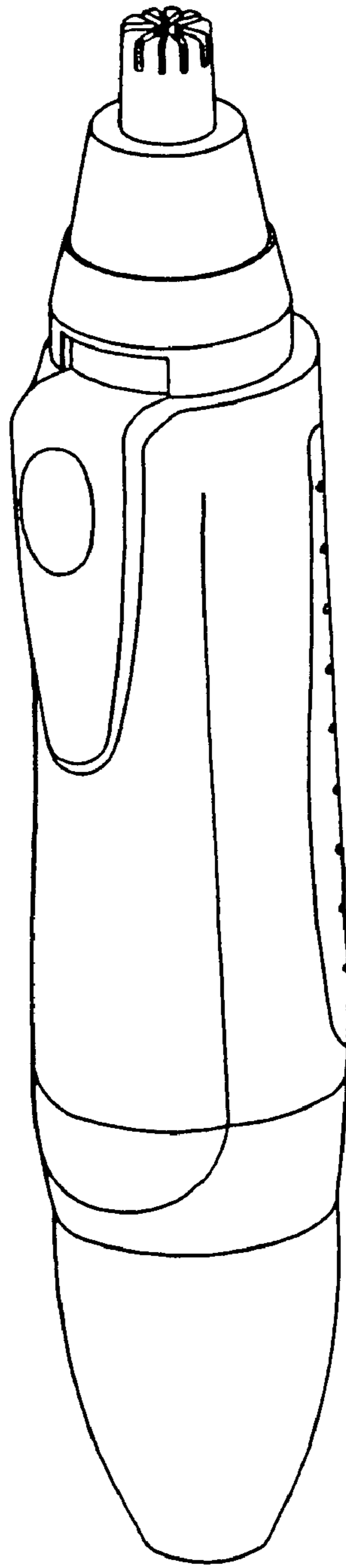


FIG. 12