



US00D476441S

(12) **United States Design Patent**
Mier-Langner et al.

(10) **Patent No.:** **US D476,441 S**
(45) **Date of Patent:** **** Jun. 24, 2003**

(54) **TRACK MOUNTING ASSEMBLY FOR A LUMINAIRE**

6,428,190 B1 * 8/2002 Herst et al. 362/404

* cited by examiner

(75) Inventors: **Alejandro Mier-Langner**, Providence, RI (US); **Robert Scott Gosnell**, Weymouth, MA (US); **James Edward Kuchar**, Fall River, MA (US)

Primary Examiner—Jennifer Rivard
(74) *Attorney, Agent, or Firm*—Jeffrey A. Hacberlin; Middleton Reutlinger

(73) Assignee: **Genlyte Thomas Group LLC**, Louisville, KY (US)

(57) **CLAIM**

The ornamental design for a track mounting assembly for a luminaire, as shown and described.

(**) Term: **14 Years**

DESCRIPTION

(21) Appl. No.: **29/154,331**

FIG. 1 is a perspective view of a track mounting assembly for a luminaire showing our design;

(22) Filed: **Jan. 22, 2002**

FIG. 2 is a side elevational view thereof, where the opposite side elevational view is a mirror image of this view, and, therefore, has been omitted;

(51) **LOC (7) Cl.** **26-99**

(52) **U.S. Cl.** **D26/140**

FIG. 3 is also a side elevational view thereof, but wherein the luminaire (shown by broken line representation) has a different orientation;

(58) **Field of Search** D26/113, 118, D26/138, 72, 85, 90, 140; 362/220, 225, 217, 269, 277, 282, 404, 408, 147

FIG. 4 is a front elevational view thereof, where the rear elevational view is a mirror image of this view and, therefore, has been omitted; and,

(56) **References Cited**

U.S. PATENT DOCUMENTS

- 4,109,305 A * 8/1978 Claussen et al. 362/404
- D285,977 S * 9/1986 De Pas et al. D26/90
- 5,317,493 A * 5/1994 Muller et al. 362/407
- 5,455,754 A * 10/1995 Hoffner 362/404

FIG. 5 is a bottom plan view thereof;
The broken line showing of environmental structure is for illustrative purposes only and forms no part of the claimed design.

1 Claim, 5 Drawing Sheets

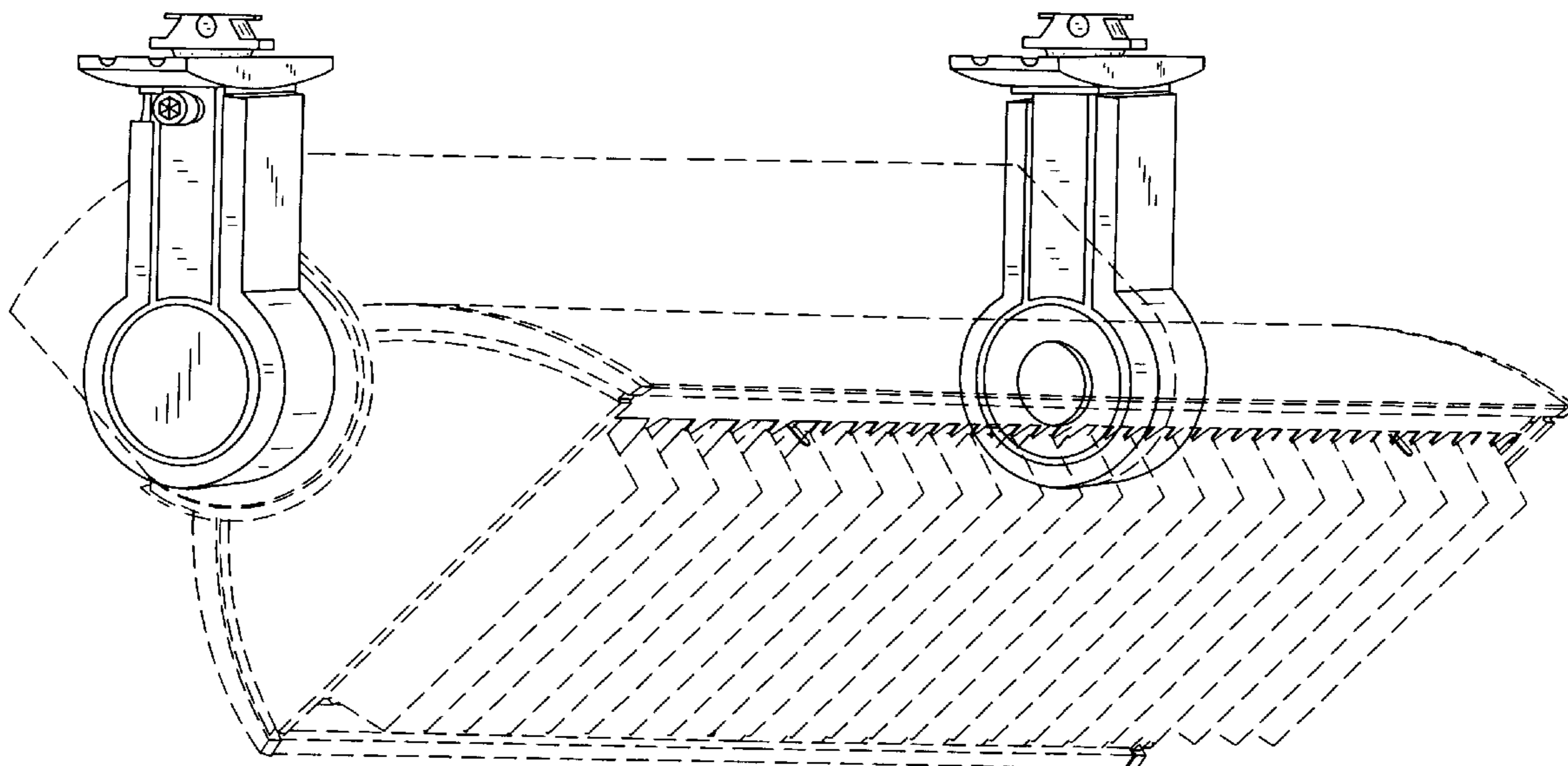


FIG. 1

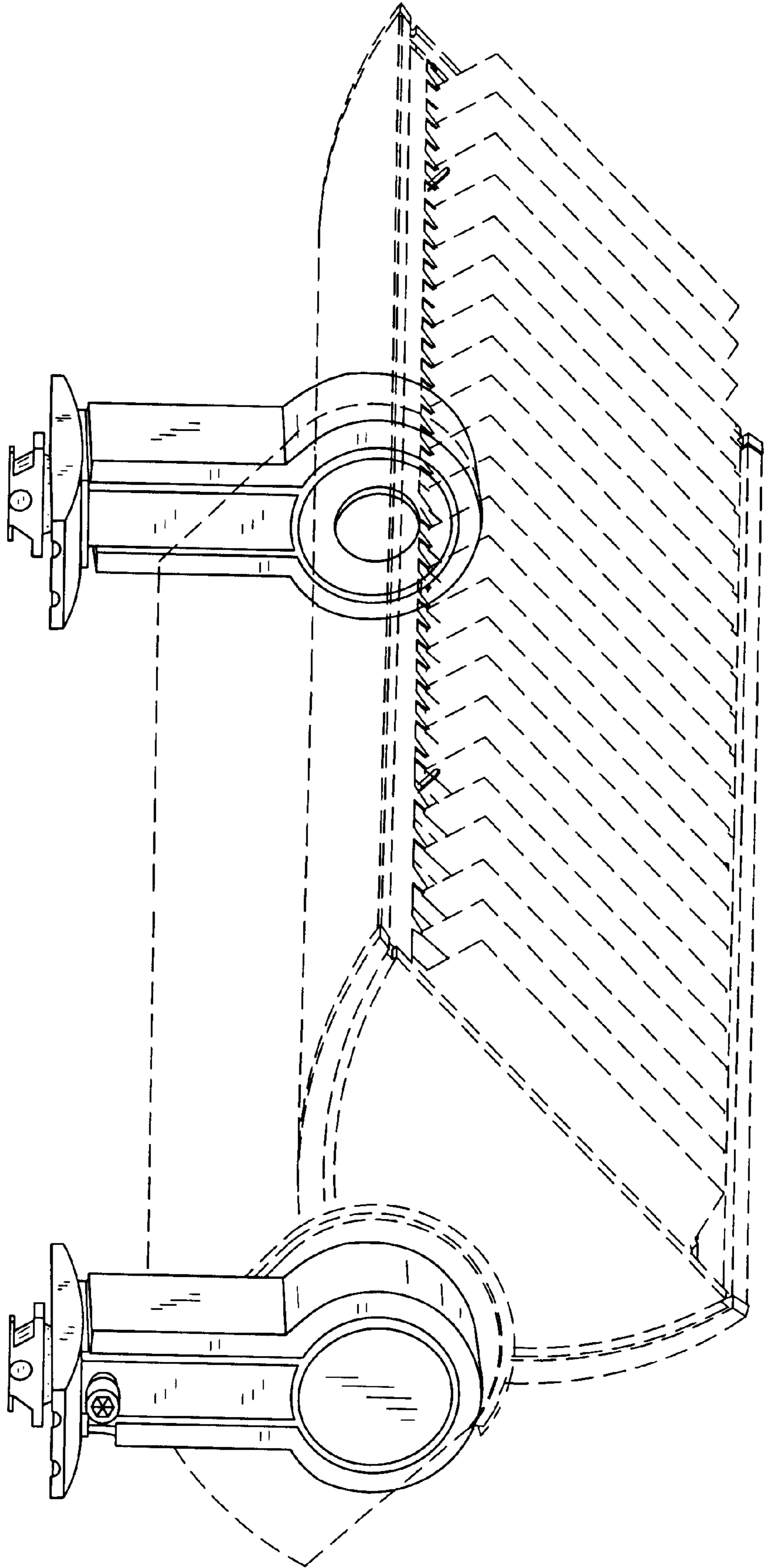


FIG. 2

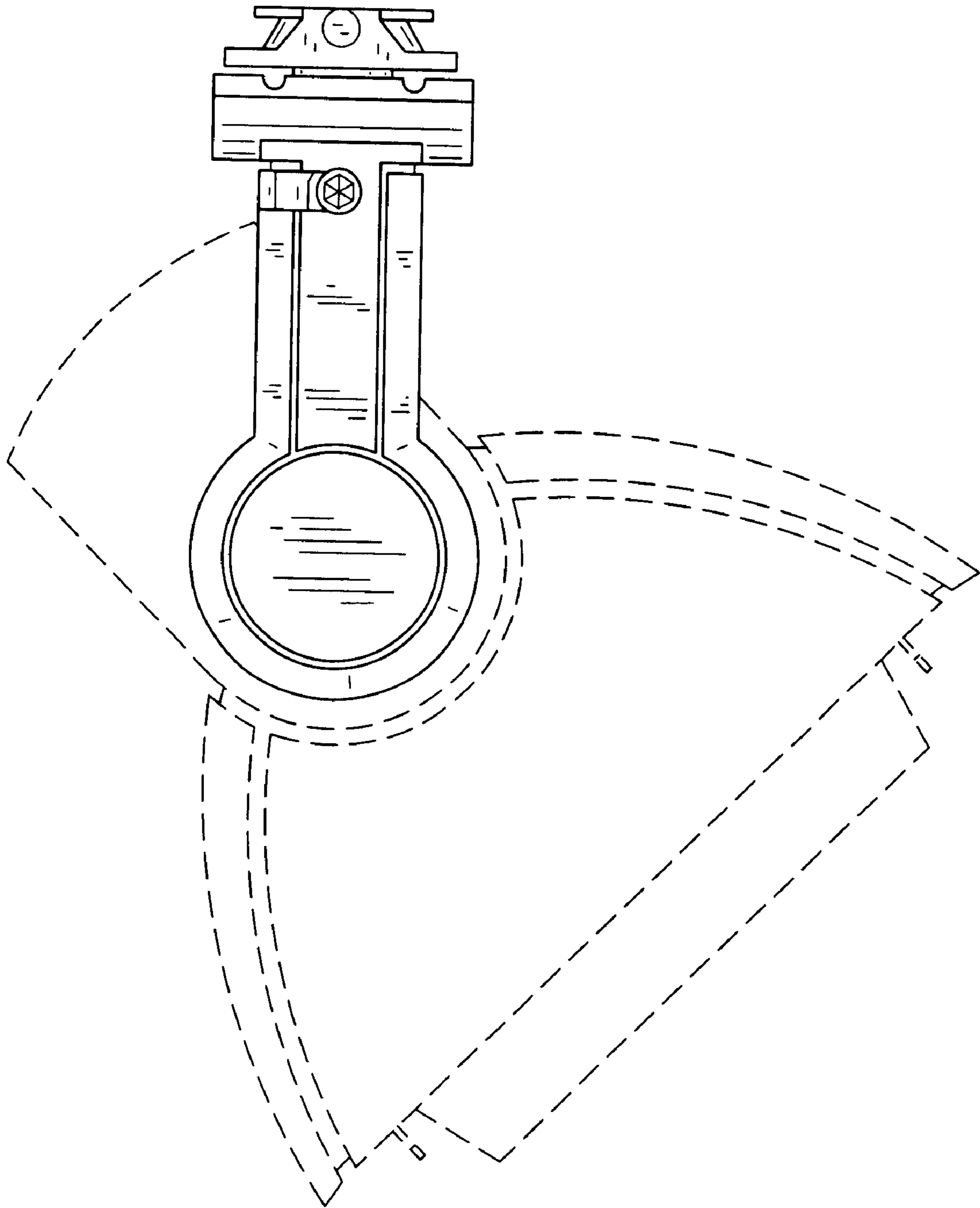


FIG. 3

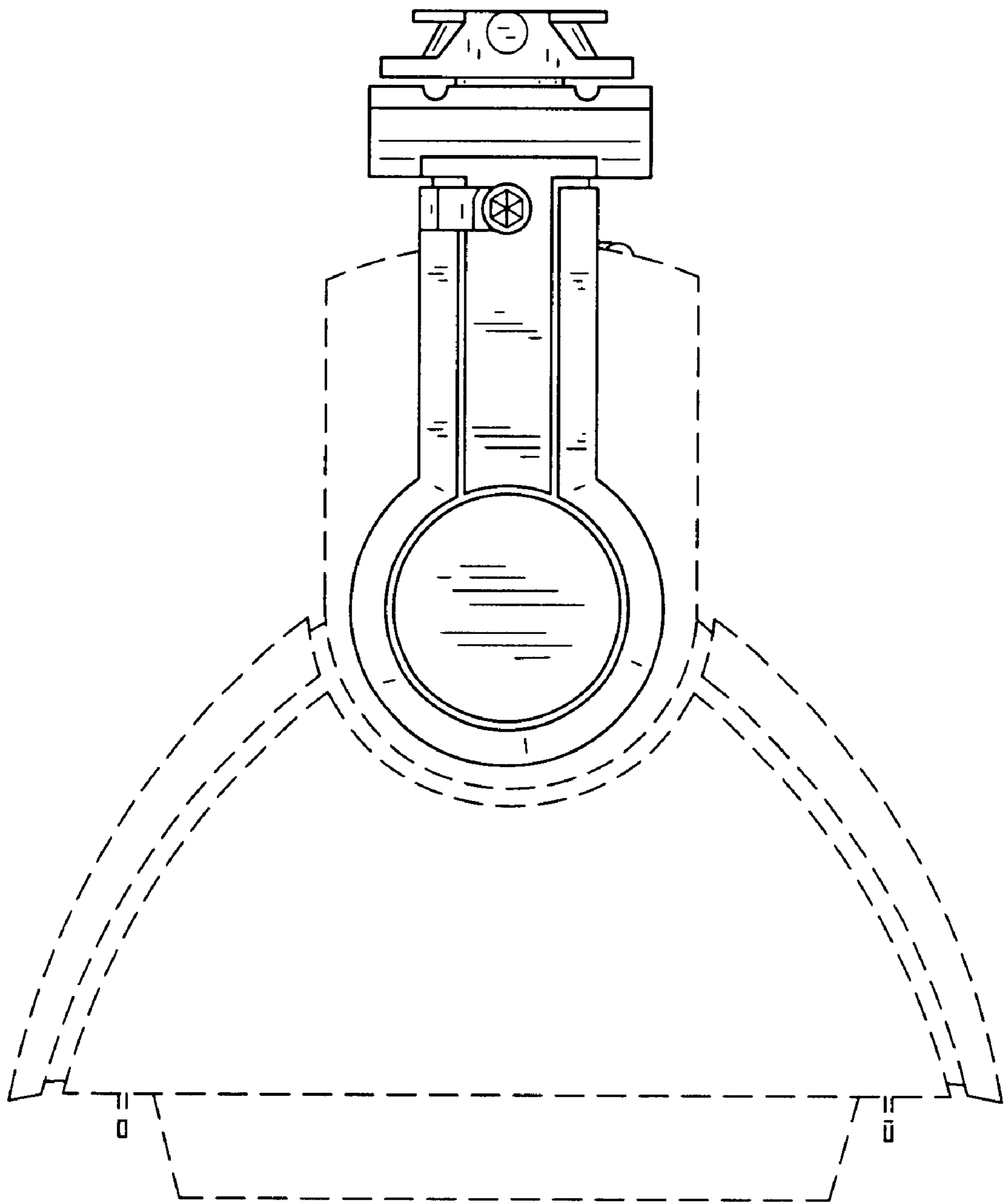


FIG. 4

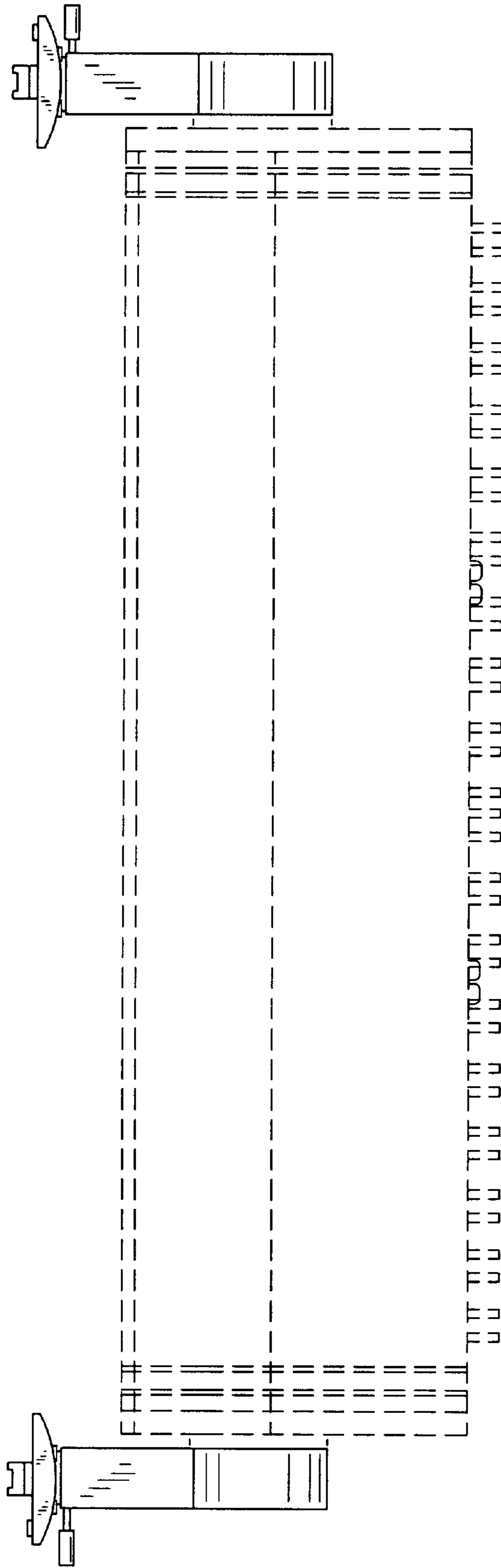


FIG. 5

