



US00D476440S

**(12) United States Design Patent**

**Lee et al.**

**(10) Patent No.:**

**US D476,440 S**

**(45) Date of Patent:**

**\*\* Jun. 24, 2003**

(54) **DESK LAMP**

D374,100 S \* 9/1996 Chen ..... D26/60  
D394,324 S \* 5/1998 Huang ..... D26/65  
D408,569 S \* 4/1999 Waldmann ..... D26/63

(76) Inventors: **Wen-Horng Lee**, P.O. Box No. 6-57,  
Chung-Ho City, Taipei Hsien 235 (TW);  
**Po-Chieh Lee**, P.O. Box No. 6-57,  
Chung-Ho City, Taipei Hsien 235 (TW)

\* cited by examiner

*Primary Examiner*—Susan J. Lucas

(\*\*) Term: **14 Years**

(57) **CLAIM**

(21) Appl. No.: **29/141,322**

The ornamental design for a desk lamp, as shown and described.

(22) Filed: **May 4, 2001**

**DESCRIPTION**

(51) **LOC (7) Cl.** ..... **26-05**

(52) **U.S. Cl.** ..... **D26/65**

(58) **Field of Search** ..... D26/60-66; 362/269,  
362/270, 275, 278, 281, 283, 284, 285,  
287, 289, 401, 402, 427, 423

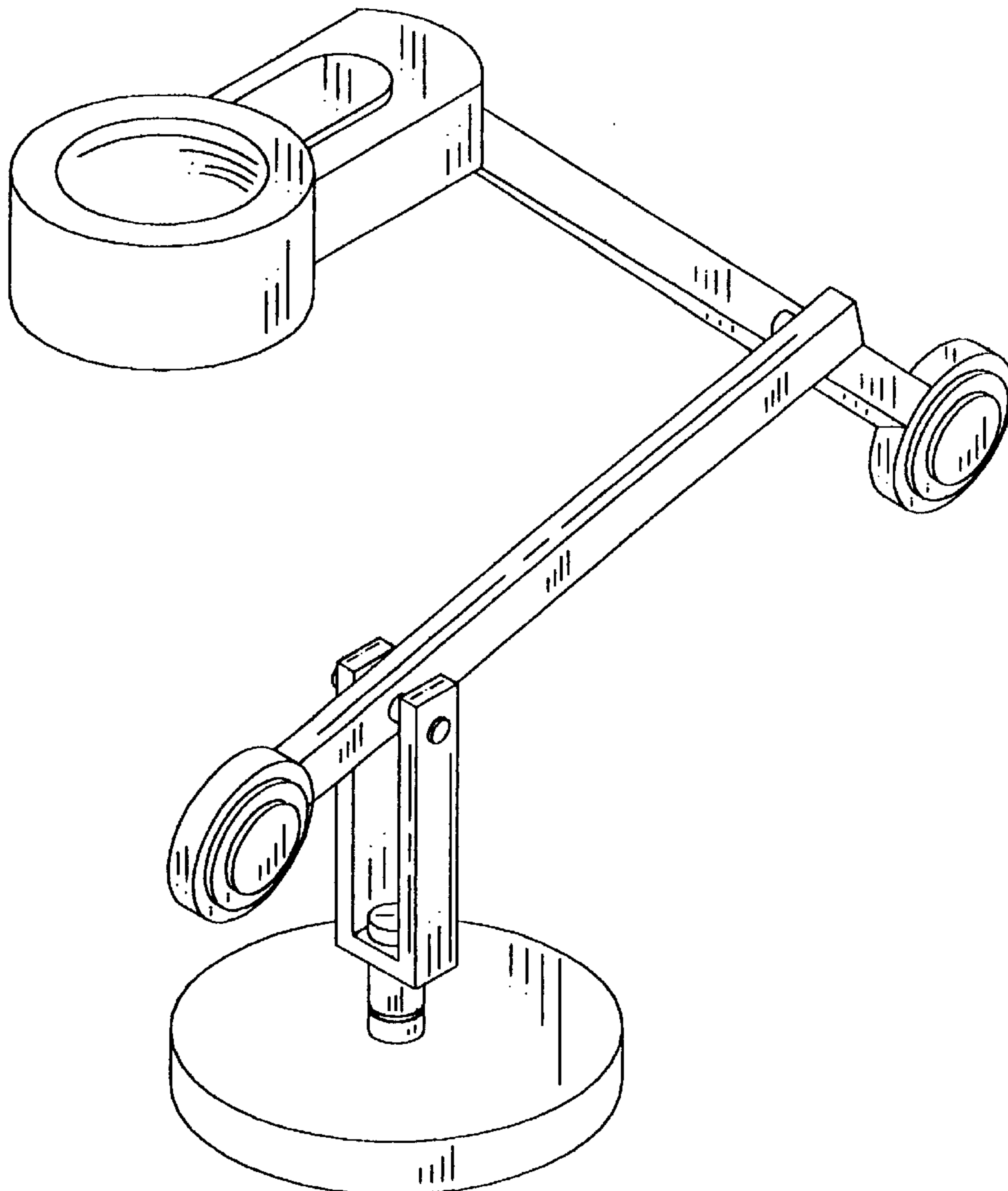
FIG. 1 is a perspective view thereof;  
FIG. 2 is a front view thereof;  
FIG. 3 is a back view thereof;  
FIG. 4 is a right side view thereof;  
FIG. 5 is a left side view thereof;  
FIG. 6 is a top view thereof; and,  
FIG. 7 is a bottom view thereof.

(56) **References Cited**

**U.S. PATENT DOCUMENTS**

D341,671 S \* 11/1993 Kuo ..... D26/65

**1 Claim, 5 Drawing Sheets**



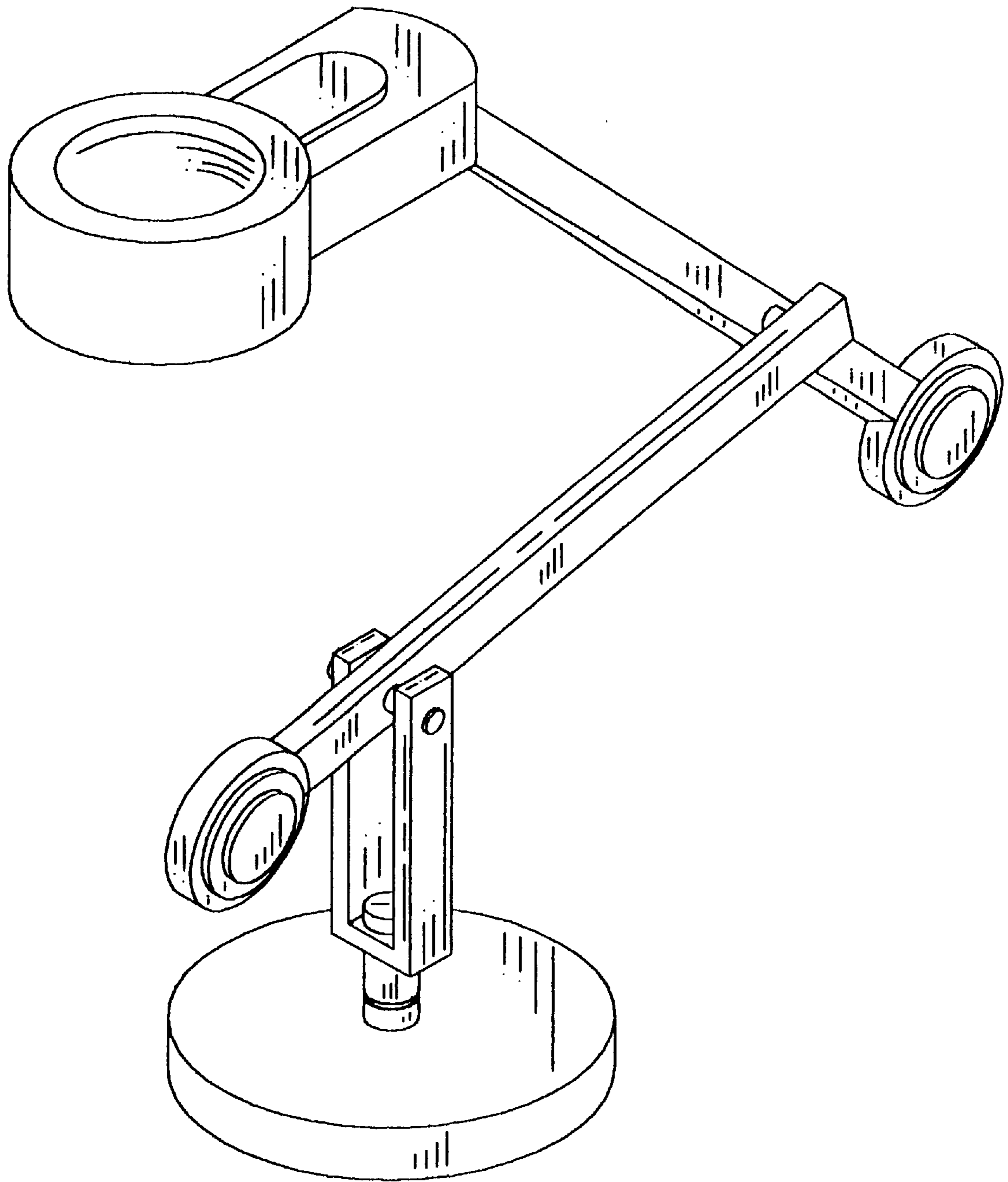


FIG. 1

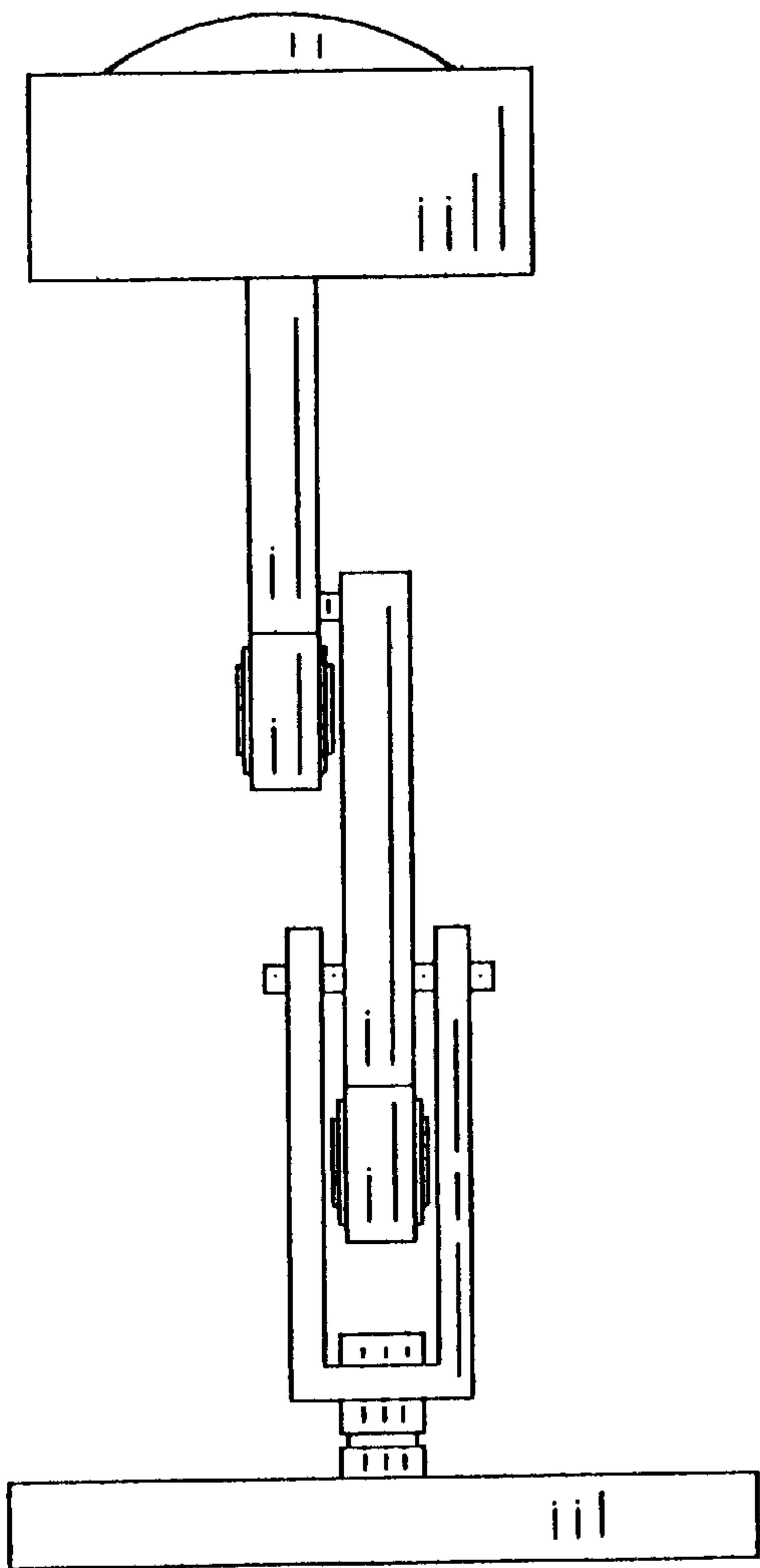


FIG. 2

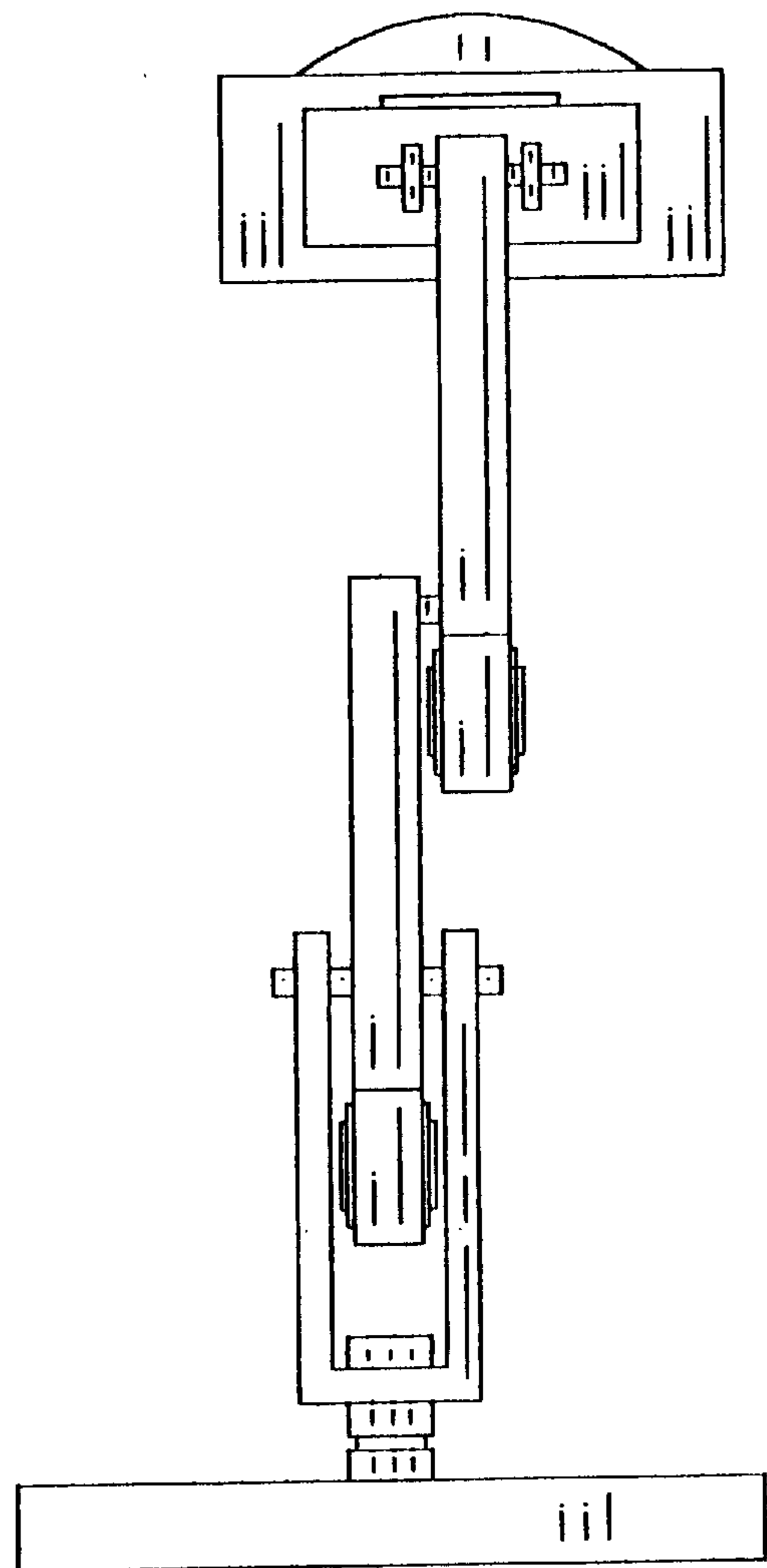


FIG. 3

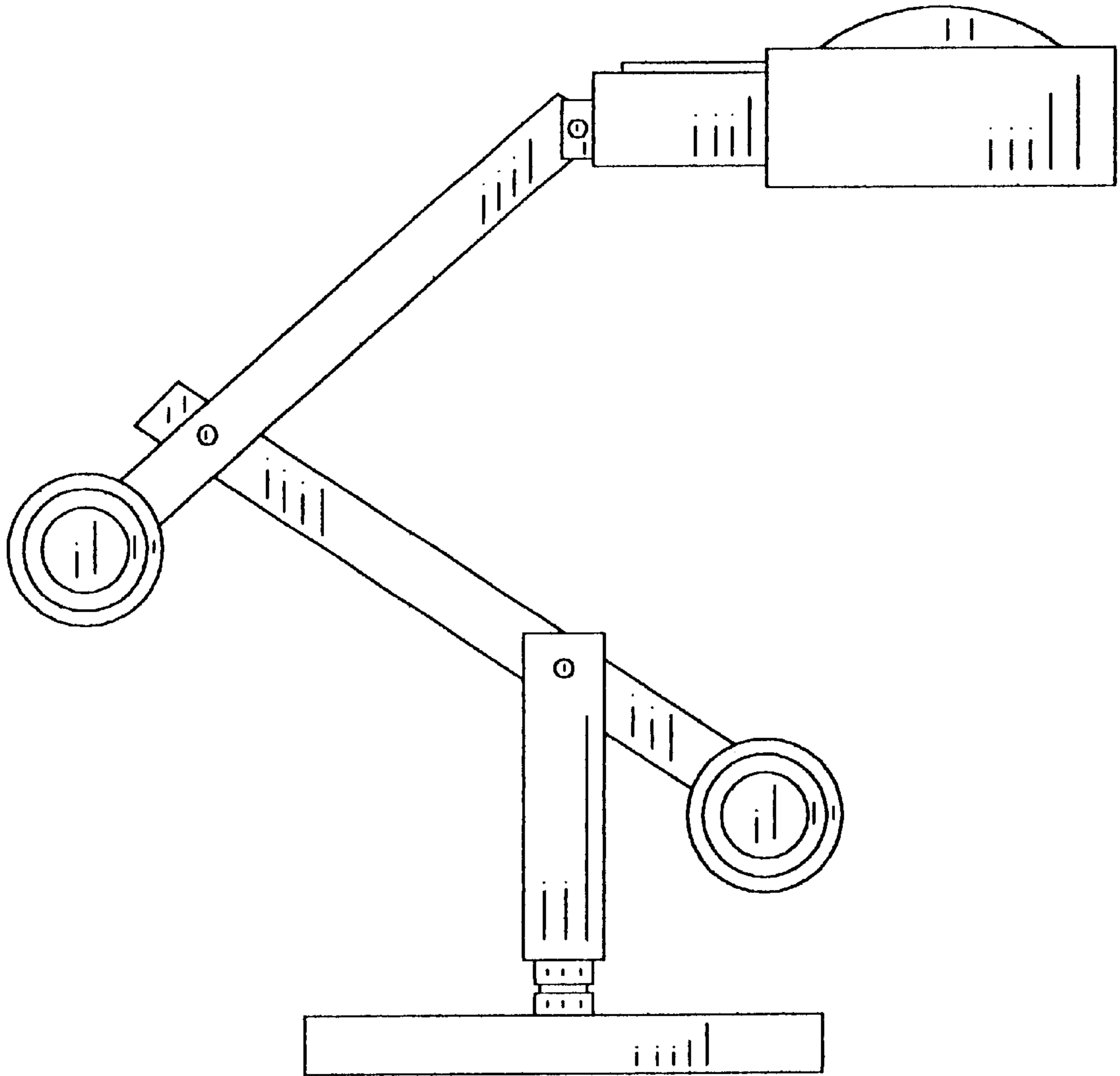


FIG.4

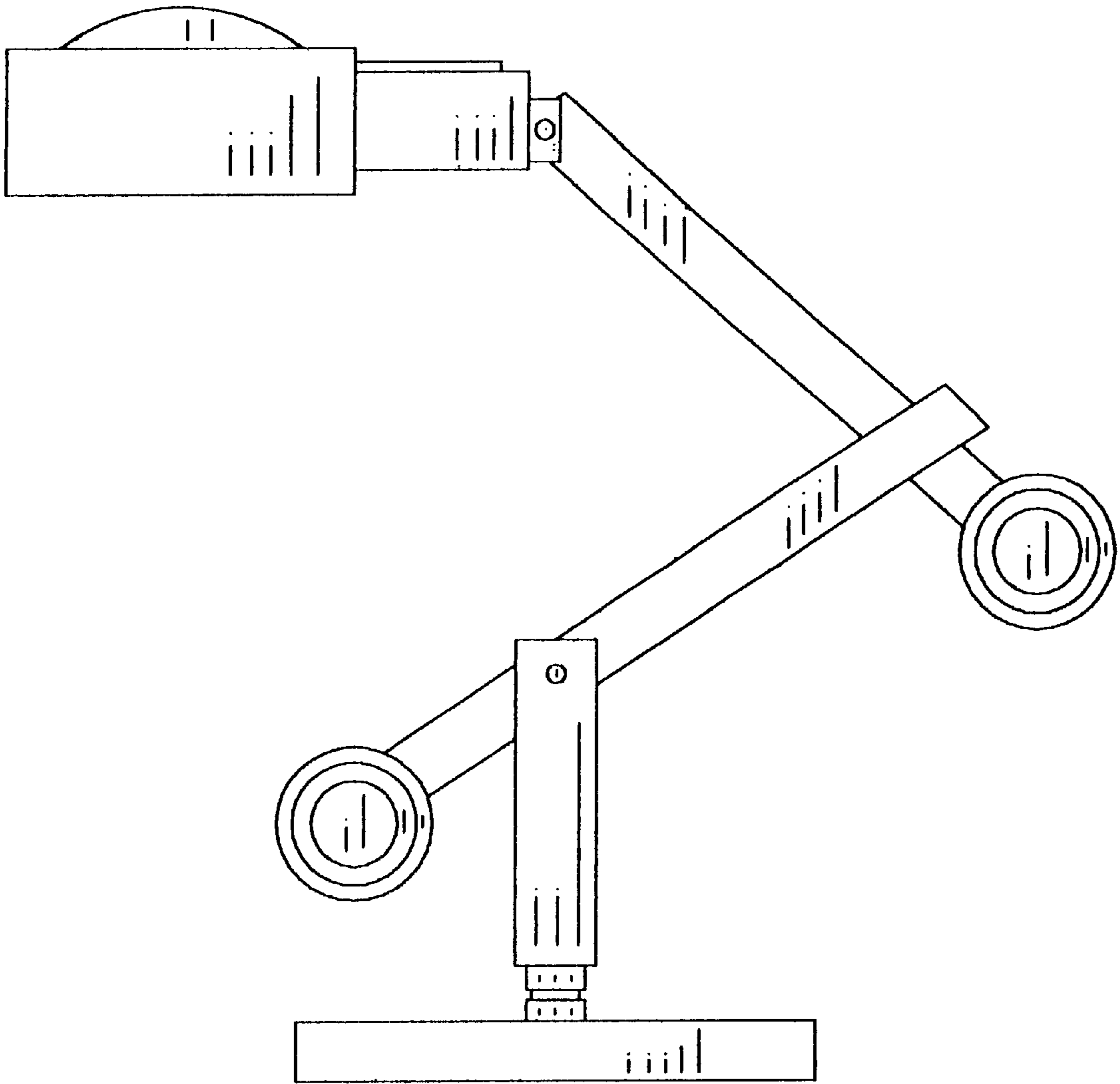


FIG.5

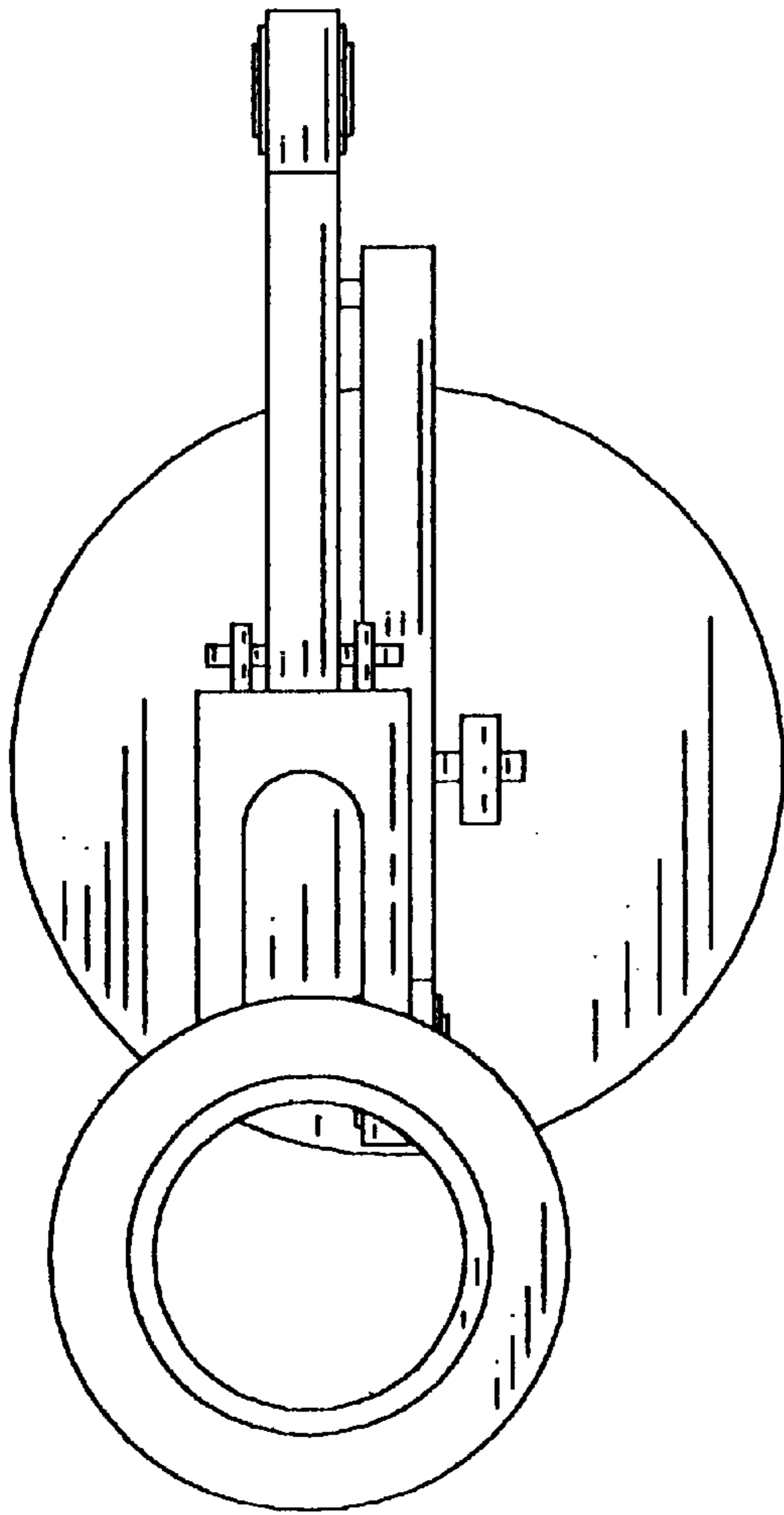


FIG. 6

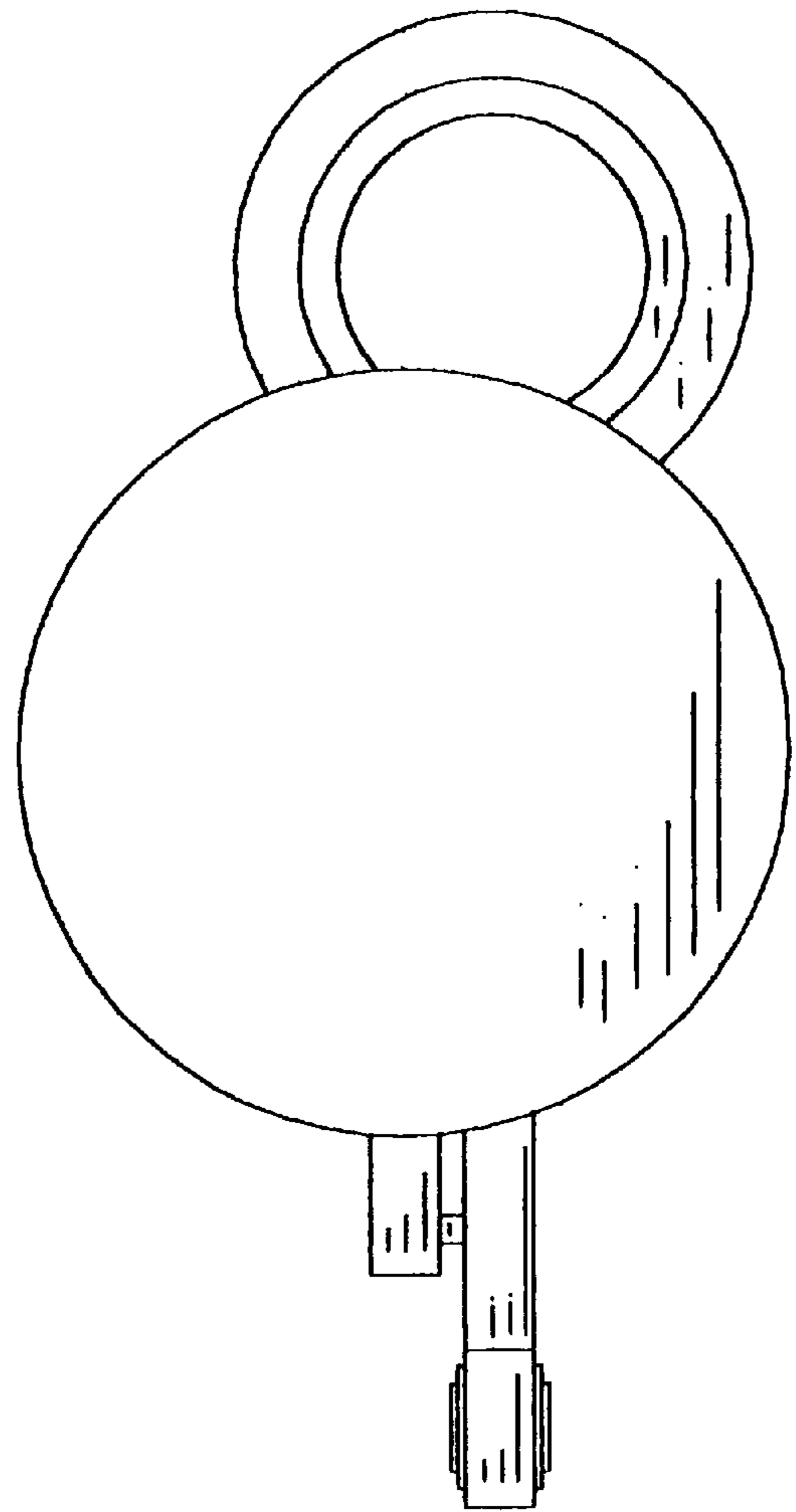


FIG. 7