



US00D476439S

(12) **United States Design Patent**  
**O'Rourke**

(10) **Patent No.:** **US D476,439 S**

(45) **Date of Patent:** **\*\* Jun. 24, 2003**

(54) **LIGHTING FIXTURE WITH A CIRCULAR GIMBAL RING**

D464,455 S \* 10/2002 Fong et al. .... D26/63

\* cited by examiner

(75) Inventor: **John O'Rourke**, Downers Grove, IL (US)

*Primary Examiner*—Alan P. Douglas

*Assistant Examiner*—Clare E. Heflin

(73) Assignee: **Juno Manufacturing, Inc.**, Des Plaines, IL (US)

(74) *Attorney, Agent, or Firm*—Sonnenschein Nath & Rosenthal

(\*\*) Term: **14 Years**

(57) **CLAIM**

(21) Appl. No.: **29/162,209**

The ornamental design for a lighting fixture with a circular gimbal ring, as shown and described.

(22) Filed: **Jun. 12, 2002**

**DESCRIPTION**

(51) **LOC (7) Cl.** ..... **26-05**

(52) **U.S. Cl.** ..... **D26/63**

(58) **Field of Search** ..... D26/61-66; 362/345, 362/269, 270, 275, 277, 278, 280, 281, 283-286, 289, 401, 402, 423, 427

FIG. 1 is a perspective view of a lighting fixture in a selected tilted position showing the new design;

FIG. 2 is a front view of the lighting fixture shown in FIG. 1;

FIG. 3 is a top view of the lighting fixture shown in FIG. 1;

FIG. 4 is a left side view of the lighting fixture shown in FIG. 1, the right side being a mirror image of the left side;

FIG. 5 is a bottom view of the lighting fixture shown in FIG. 1; and,

FIG. 6 is a rear view of the lighting fixture shown in FIG. 1.

Features shown in dash lines depict the environment and do not form part of the claimed design.

(56) **References Cited**

**U.S. PATENT DOCUMENTS**

3,018,364	A	*	1/1962	Wenman	.....	362/459
3,725,695	A	*	4/1973	Eversberg et al.	.....	362/394
D234,218	S	*	1/1975	Donato	.....	D26/65
4,410,933	A	*	10/1983	Blake et al.	.....	362/371
D395,140	S	*	6/1998	O'Rourke	.....	D26/140

**1 Claim, 6 Drawing Sheets**

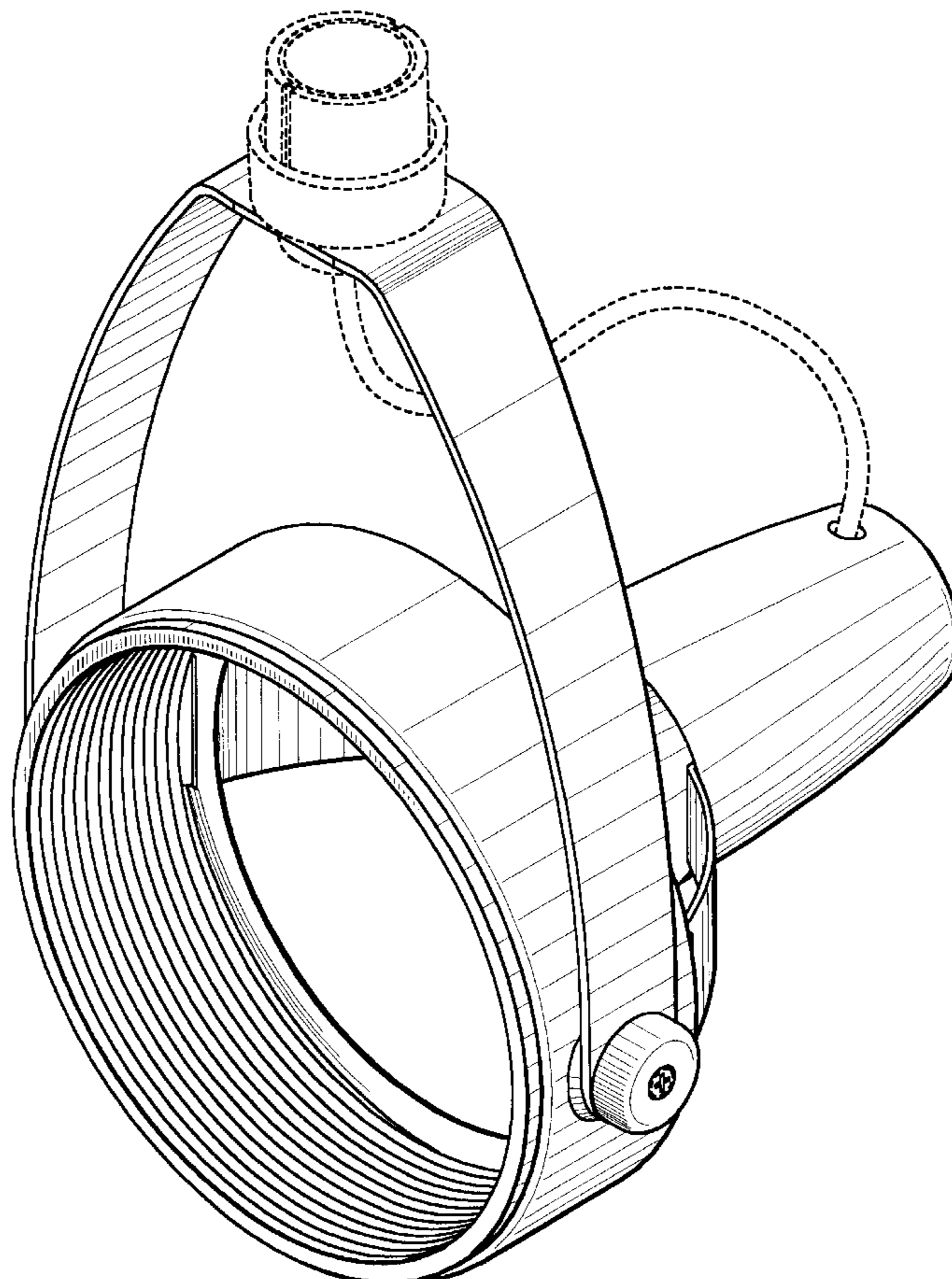
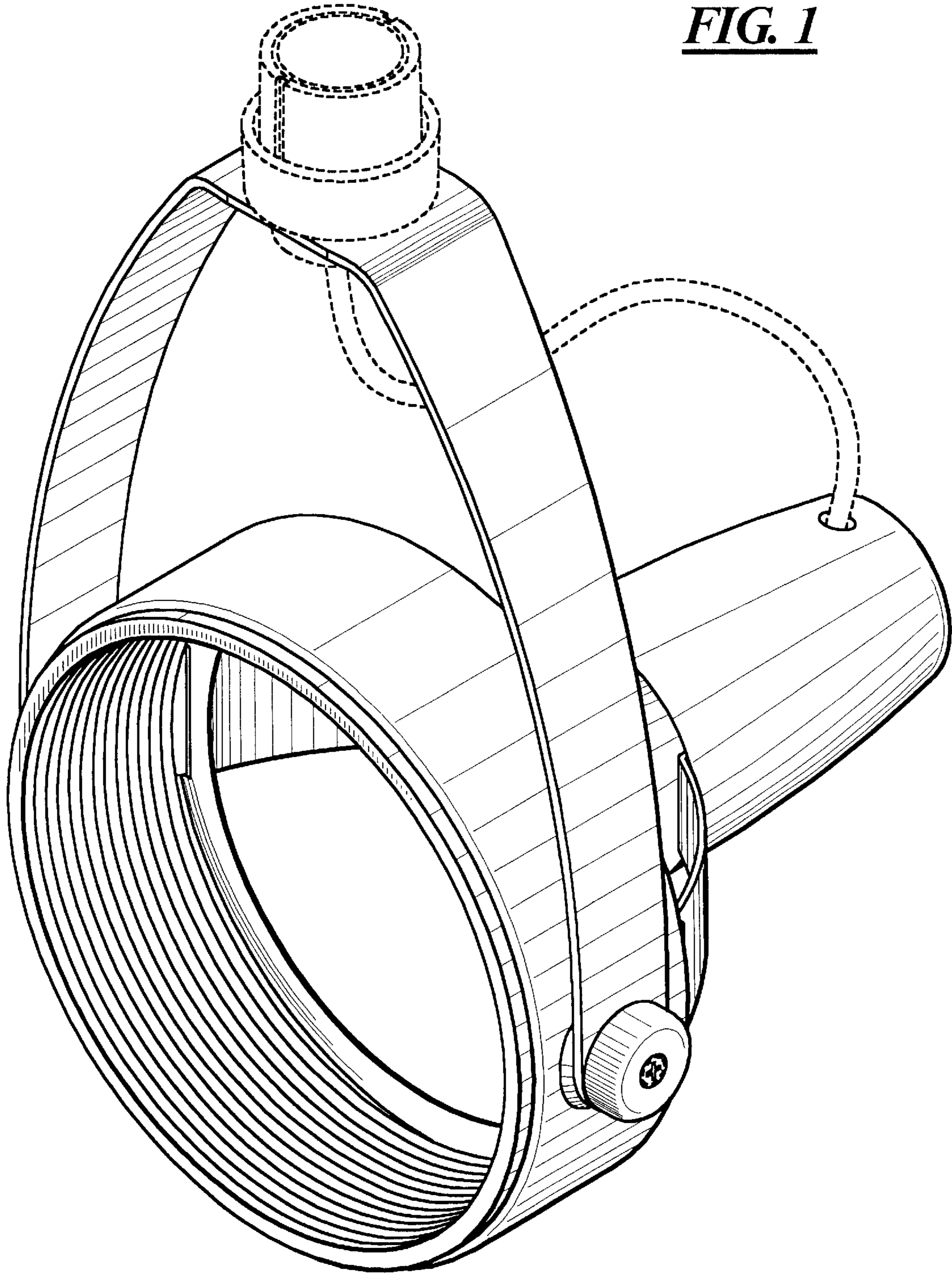


FIG. 1



**FIG. 2**

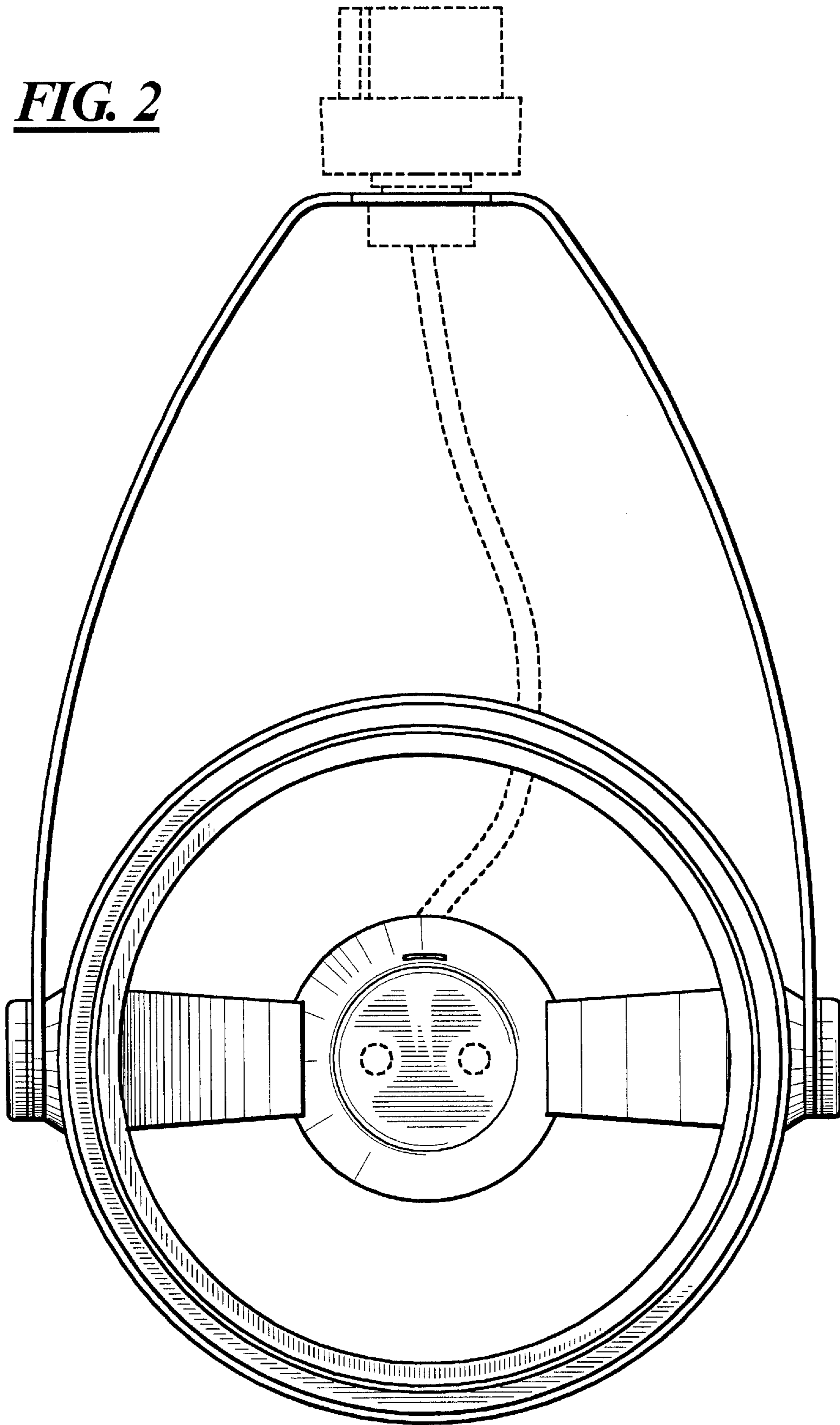
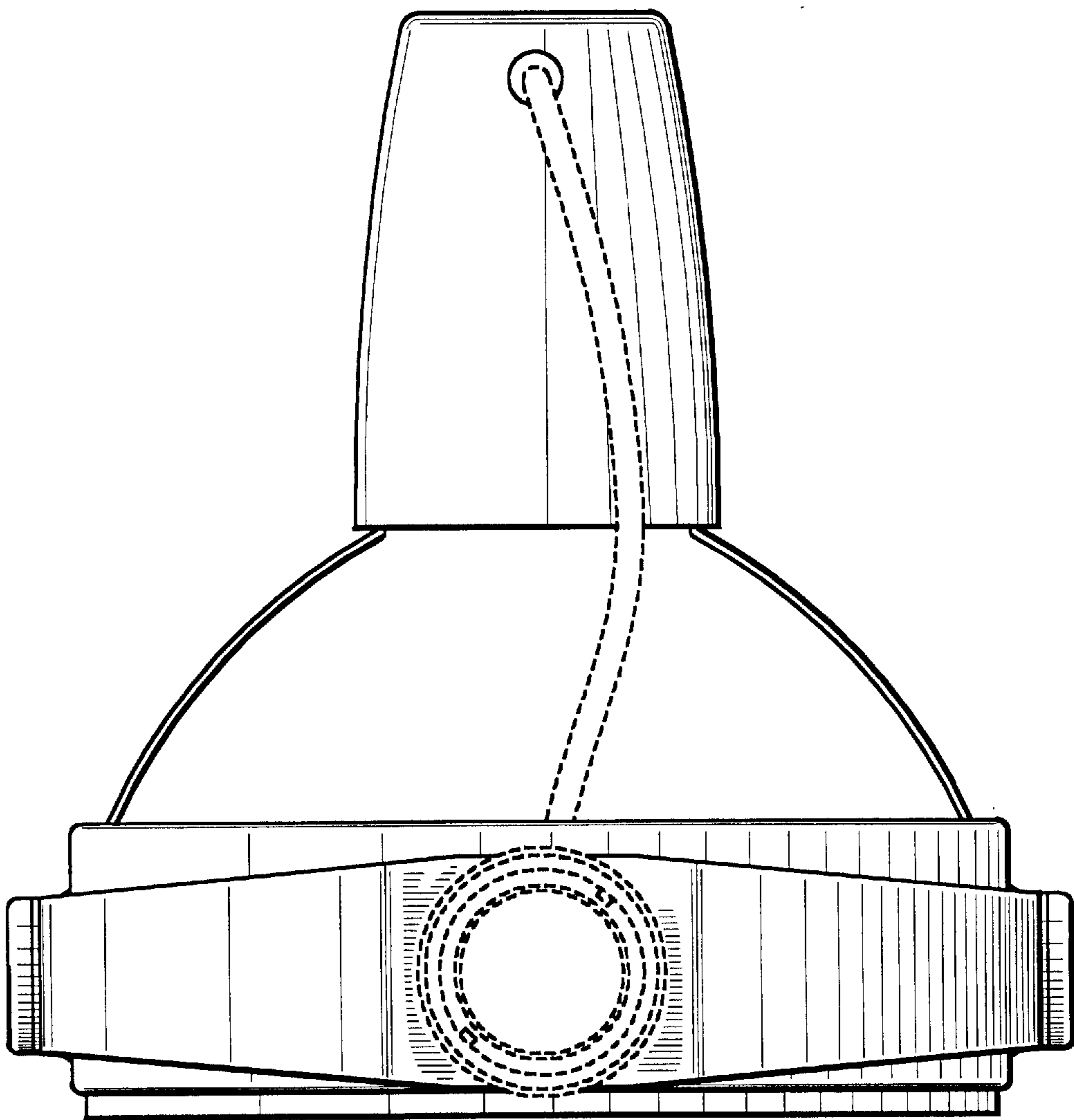
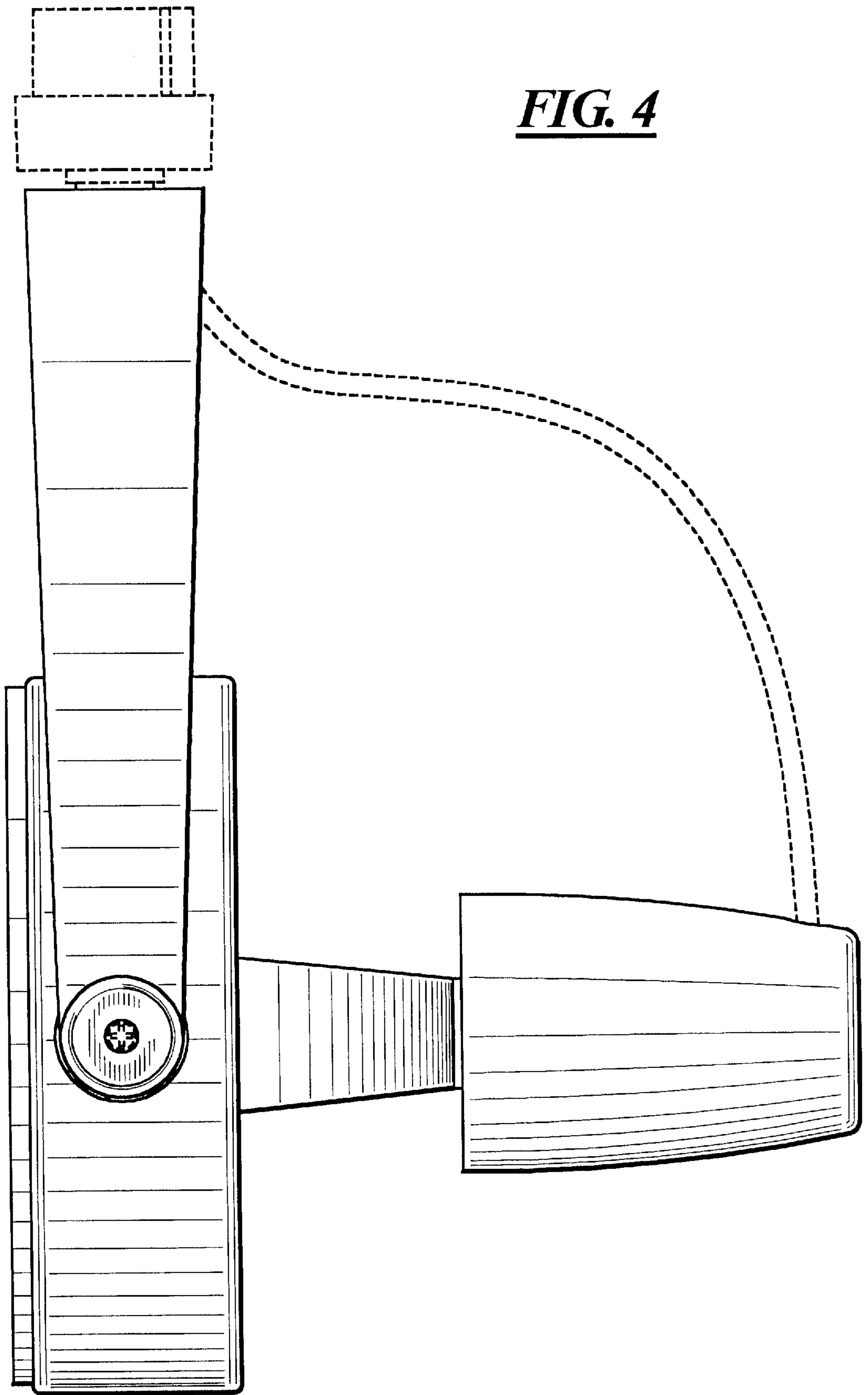


FIG. 3





**FIG. 4**

**FIG. 5**

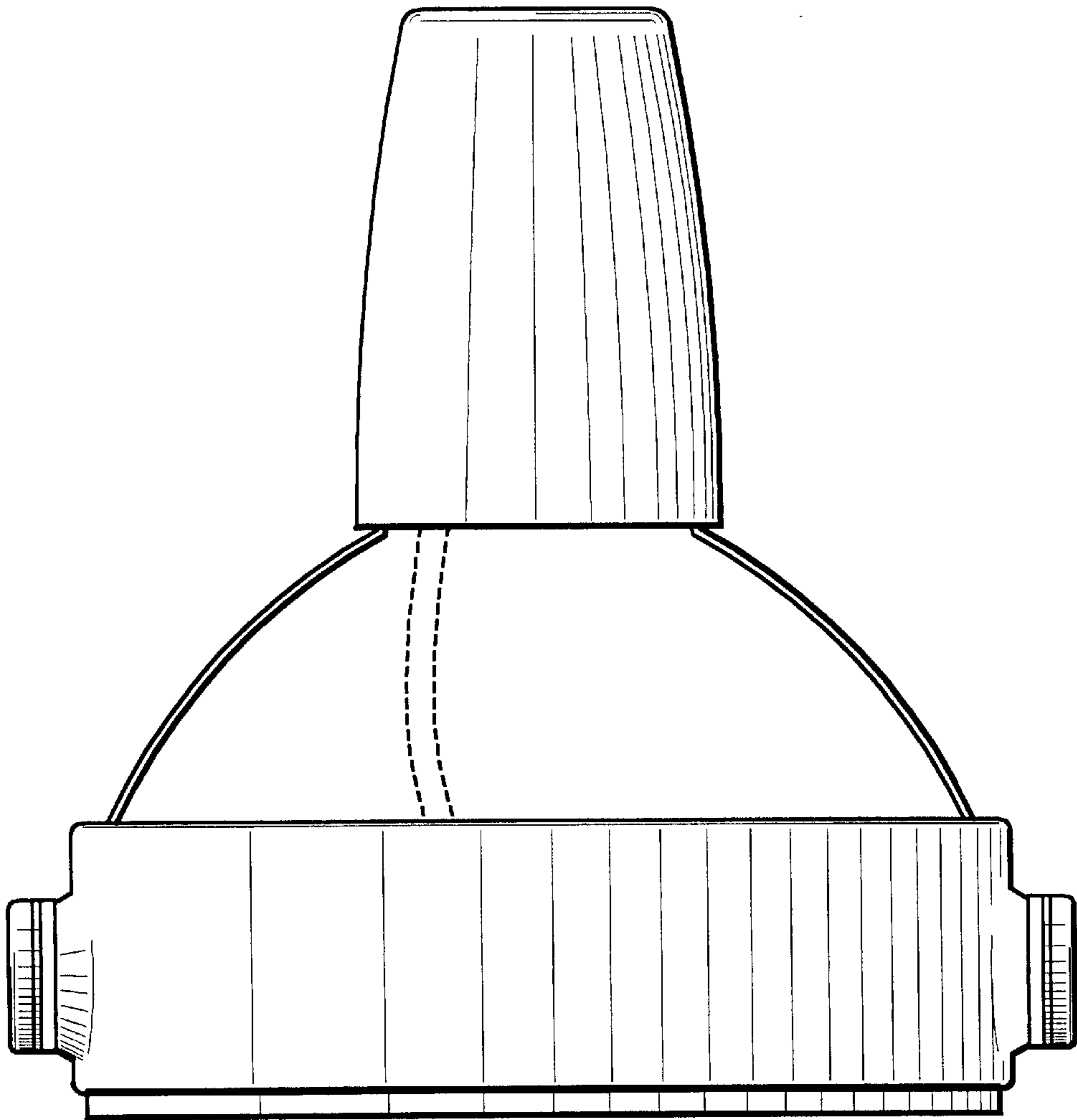


FIG. 6

