



US00D476430S

(12) **United States Design Patent**
Ikuma et al.

(10) **Patent No.:** **US D476,430 S**

(45) **Date of Patent:** **** Jun. 24, 2003**

(54) **FRONT COMBINATION LAMP FOR AN
AUTOMOBILE**

D427,342 S * 6/2000 Hunter et al. D26/28

OTHER PUBLICATIONS

(75) Inventors: **Hirokazu Ikuma**, Aichi-ken (JP);
Tatsuro Koshino, Kanagawa-ken (JP)

2001 Toyota VITZ, Brochure of VITZ, Dec. 2001.
2001 Toyota DUET, Brochure of DUET, Dec. 2001.

(73) Assignee: **Toyota Jidosha Kabushiki Kaisha** (JP)

* cited by examiner

(**) Term: **14 Years**

Primary Examiner—Marcus A. Jackson
(74) *Attorney, Agent, or Firm*—SAIDMAN DesignLaw
Group

(21) Appl. No.: **29/167,052**

(22) Filed: **Sep. 9, 2002**

(30) **Foreign Application Priority Data**

May 27, 2002 (JP) 2002-014026

(51) **LOC (7) Cl.** **26-04**

(52) **U.S. Cl.** **D26/28**

(58) **Field of Search** D26/28-36; 362/61,
362/80, 81, 82, 83, 83.4, 267, 269, 275

(56) **References Cited**

U.S. PATENT DOCUMENTS

D391,652 S * 3/1998 Sacco et al. D26/28
D396,311 S * 7/1998 Sacco et al. D26/28
D399,983 S * 10/1998 Cadotte et al. D26/28

(57) **CLAIM**

The ornamental design for a front combination lamp for an automobile, as shown and described.

DESCRIPTION

FIG. 1 is a perspective view of a front combination lamp for automobile showing our new design;
FIG. 2 is a front view thereof;
FIG. 3 is a rear view thereof;
FIG. 4 is a top view thereof;
FIG. 5 is a bottom view thereof;
FIG. 6 is a left side view thereof; and,
FIG. 7 is a right side view thereof.

1 Claim, 3 Drawing Sheets



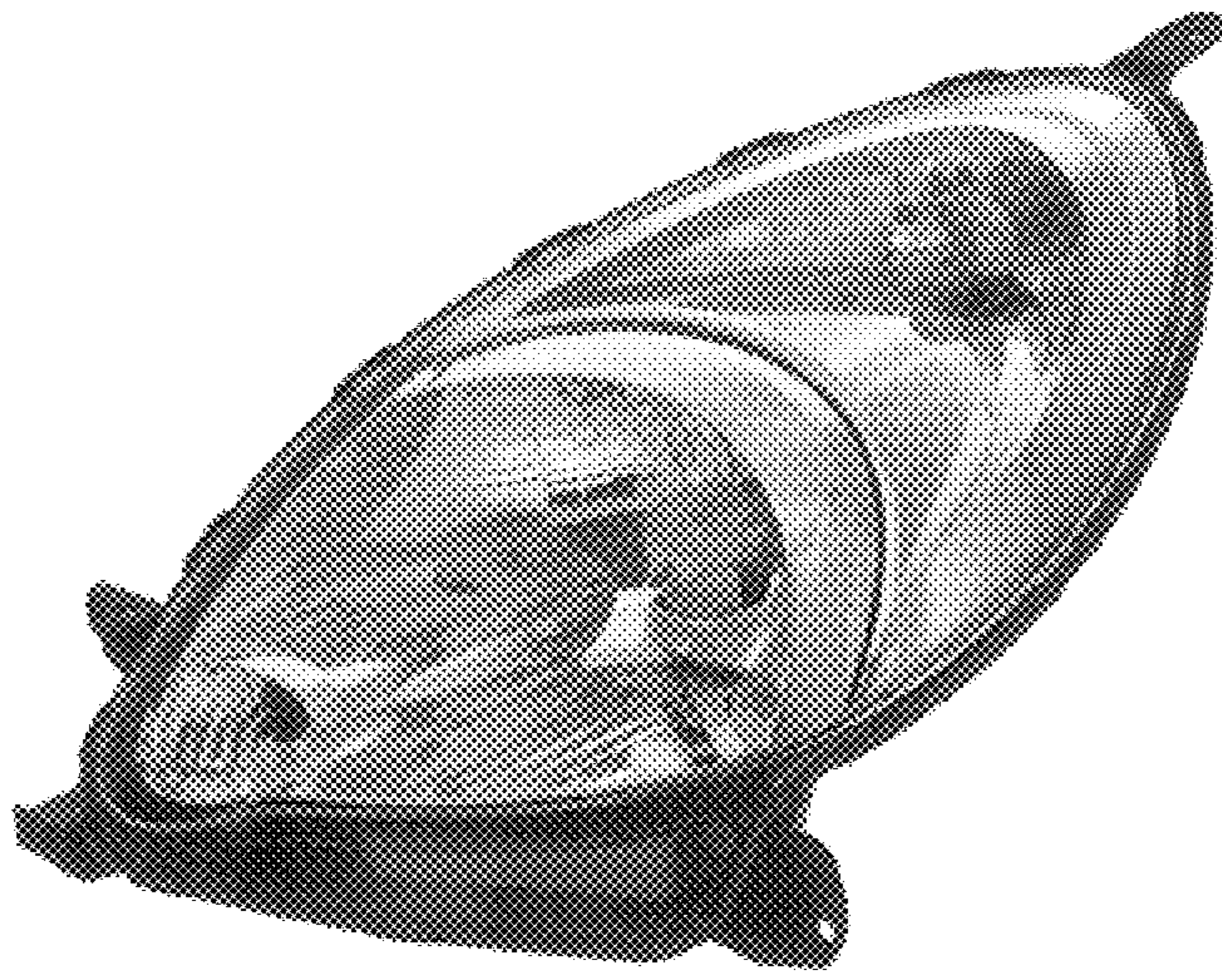


FIG. 1

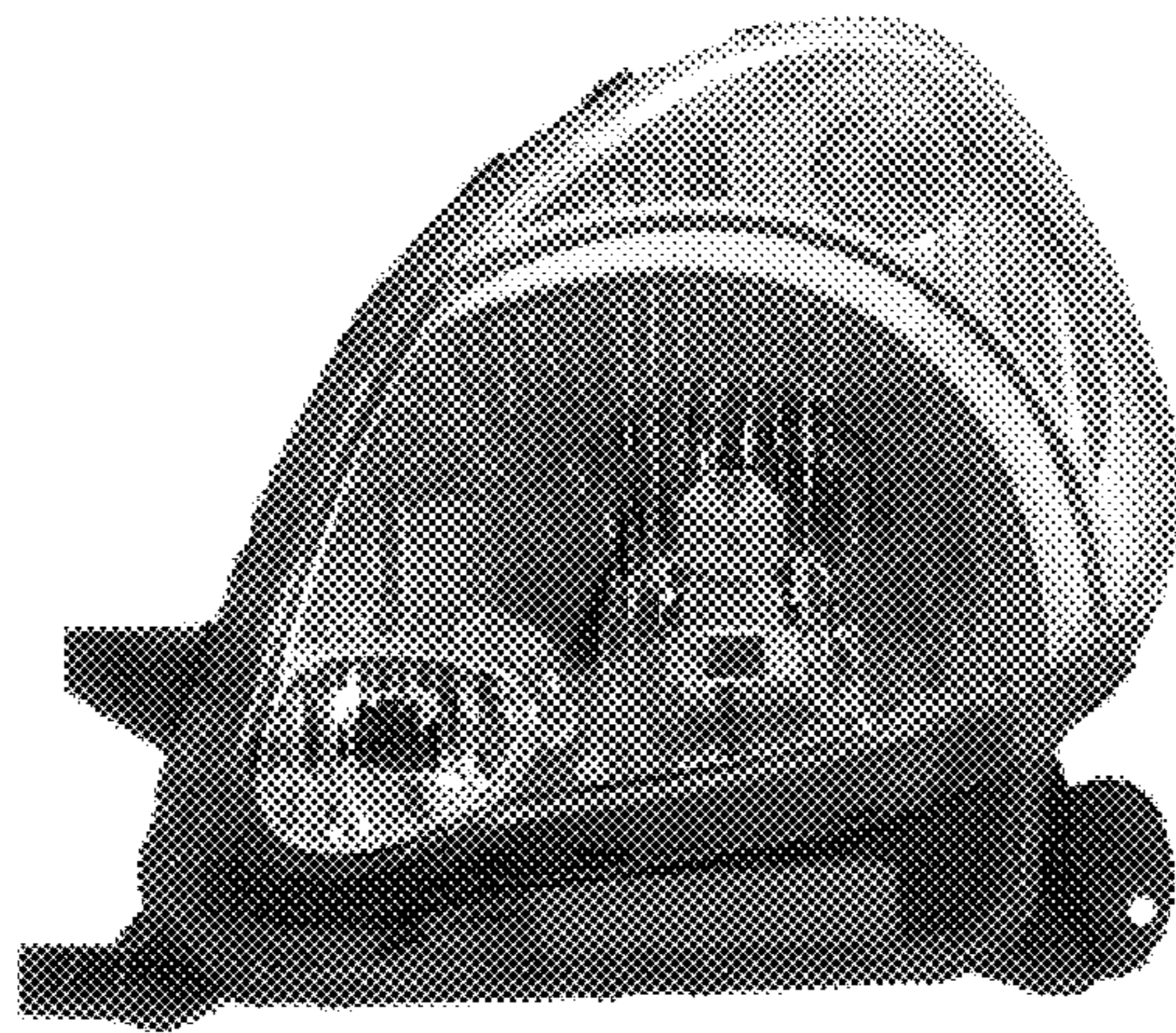


FIG. 2

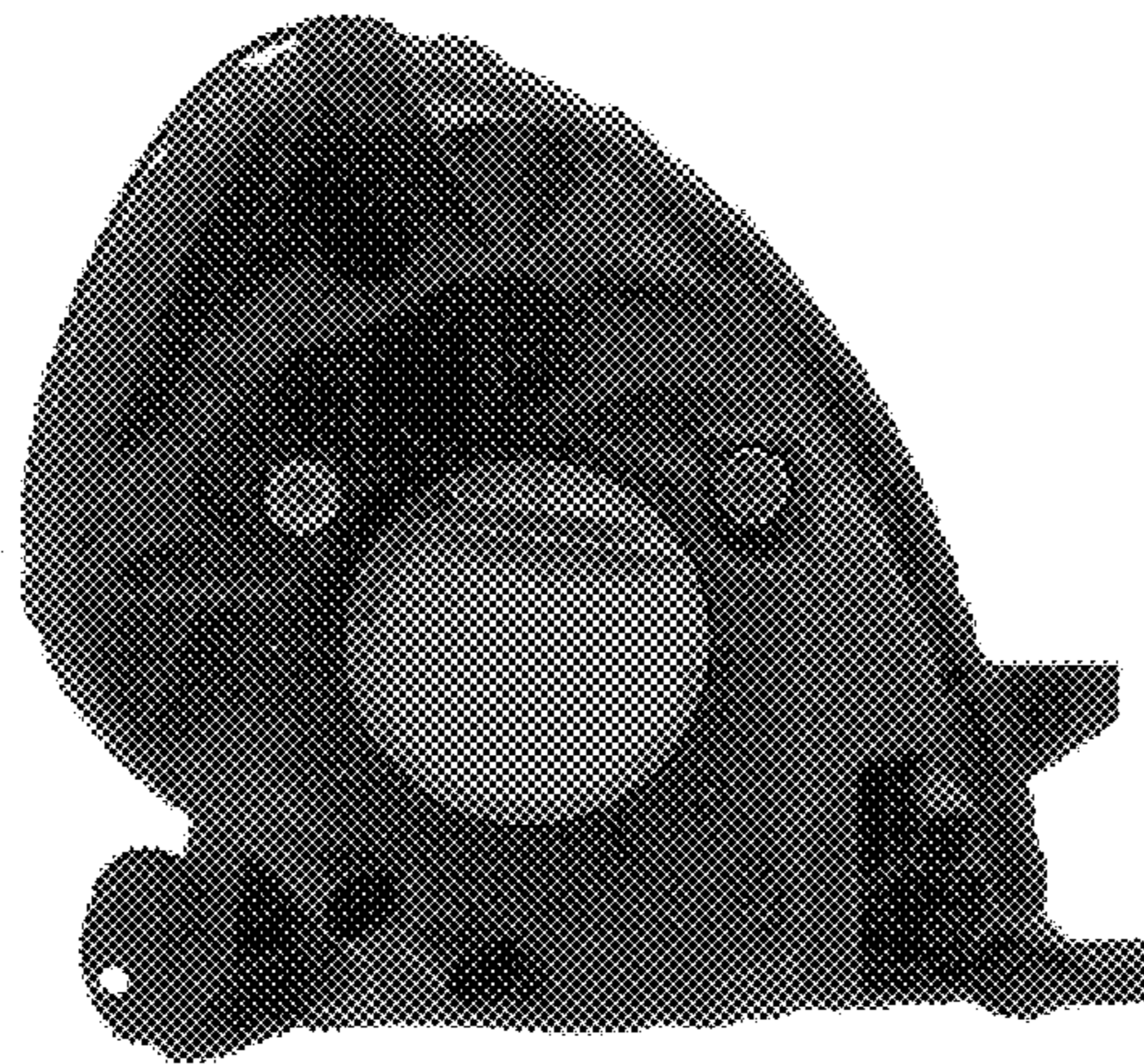


FIG. 3

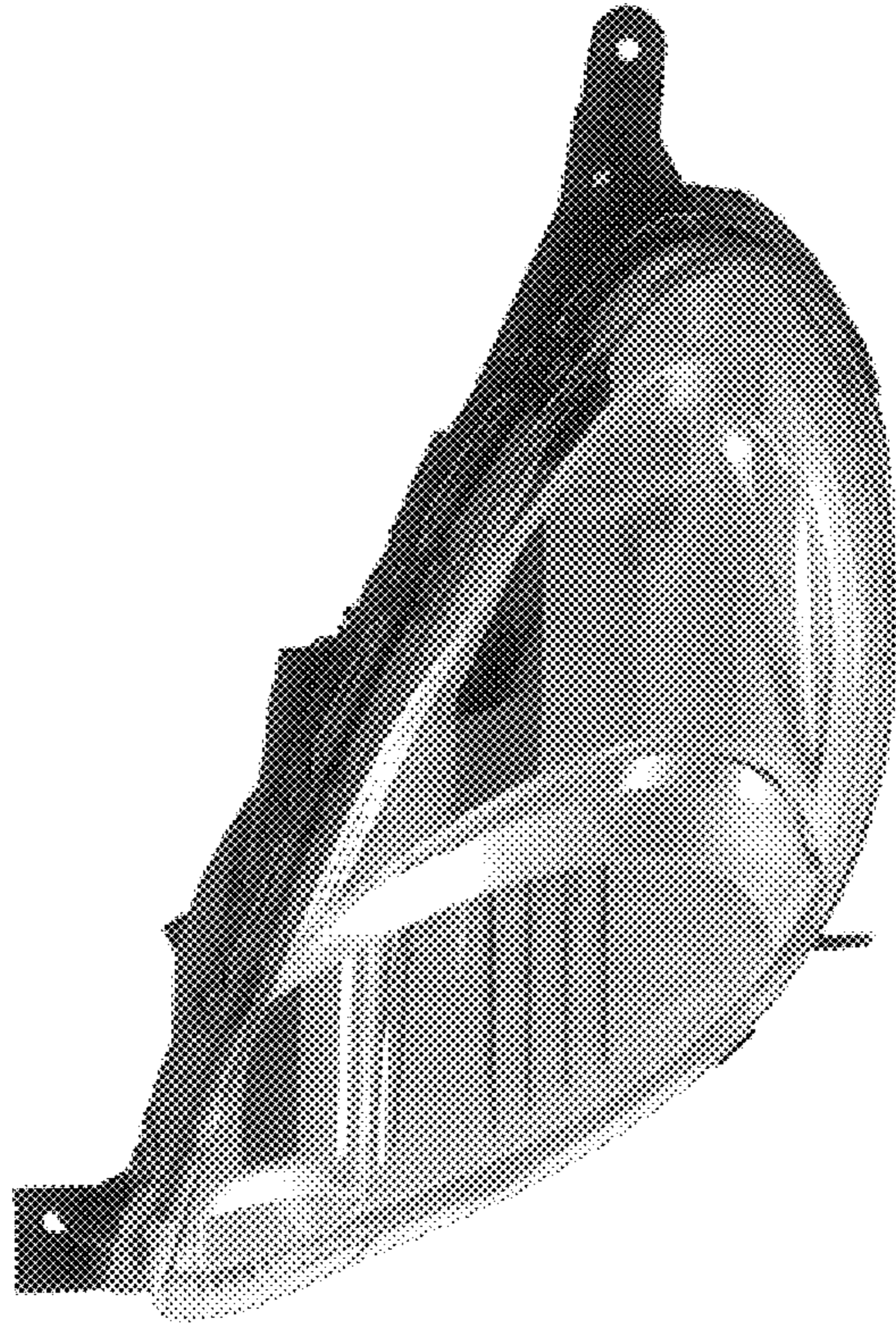


FIG. 4



FIG. 5

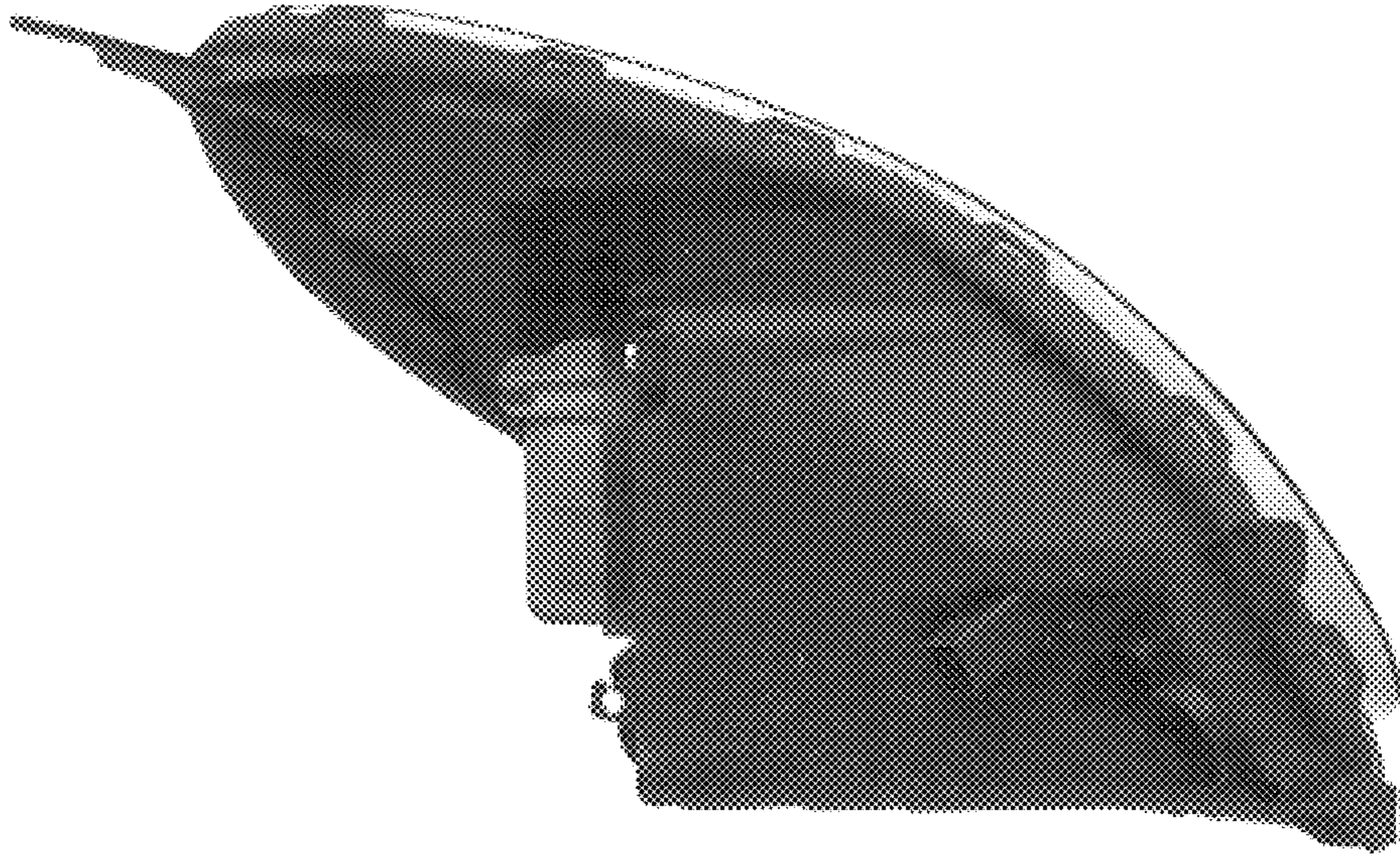


FIG. 6



FIG. 7