



US00D476429S

(12) **United States Design Patent**
Yang

(10) **Patent No.:** **US D476,429 S**
(45) **Date of Patent:** **** Jun. 24, 2003**

(54) **VEHICULAR TAIL LIGHT**

(76) Inventor: **Milton Yang**, 427 Sec. 2, Wenhua Road., Panchiano, Taipei (TW)

(**) Term: **14 Years**

(21) Appl. No.: **29/166,251**

(22) Filed: **Aug. 23, 2002**

(51) **LOC (7) Cl.** **26-04**

(52) **U.S. Cl.** **D26/28**

(58) **Field of Search** D26/28-36, 120,
D26/122; 362/61, 80, 81, 82, 83, 83.4,
267, 269, 275

2-door Civic Tail Light Picture 4 prior to Aug. 23, 2002.
2-door Civic Tail Light Picture 5 prior to Aug. 23, 2002.
2-door Civic Tail Light Picture 6 prior to Aug. 23, 2002.
2-door Civic Tail Light Picture 7 prior to Aug. 23, 2002.
2-door Civic Tail Light Picture 8 prior to Aug. 23, 2002.

* cited by examiner

Primary Examiner—Marcus A. Jackson
(74) *Attorney, Agent, or Firm*—Stetina Brunda Garred & Brucker

(57) **CLAIM**

The ornamental design for a vehicular tail light, as shown and described.

(56) **References Cited**

U.S. PATENT DOCUMENTS

D449,123 S * 10/2001 Horowitz D26/28
D450,142 S * 11/2001 Horowitz D26/28
D464,449 S * 10/2002 Yang D26/28

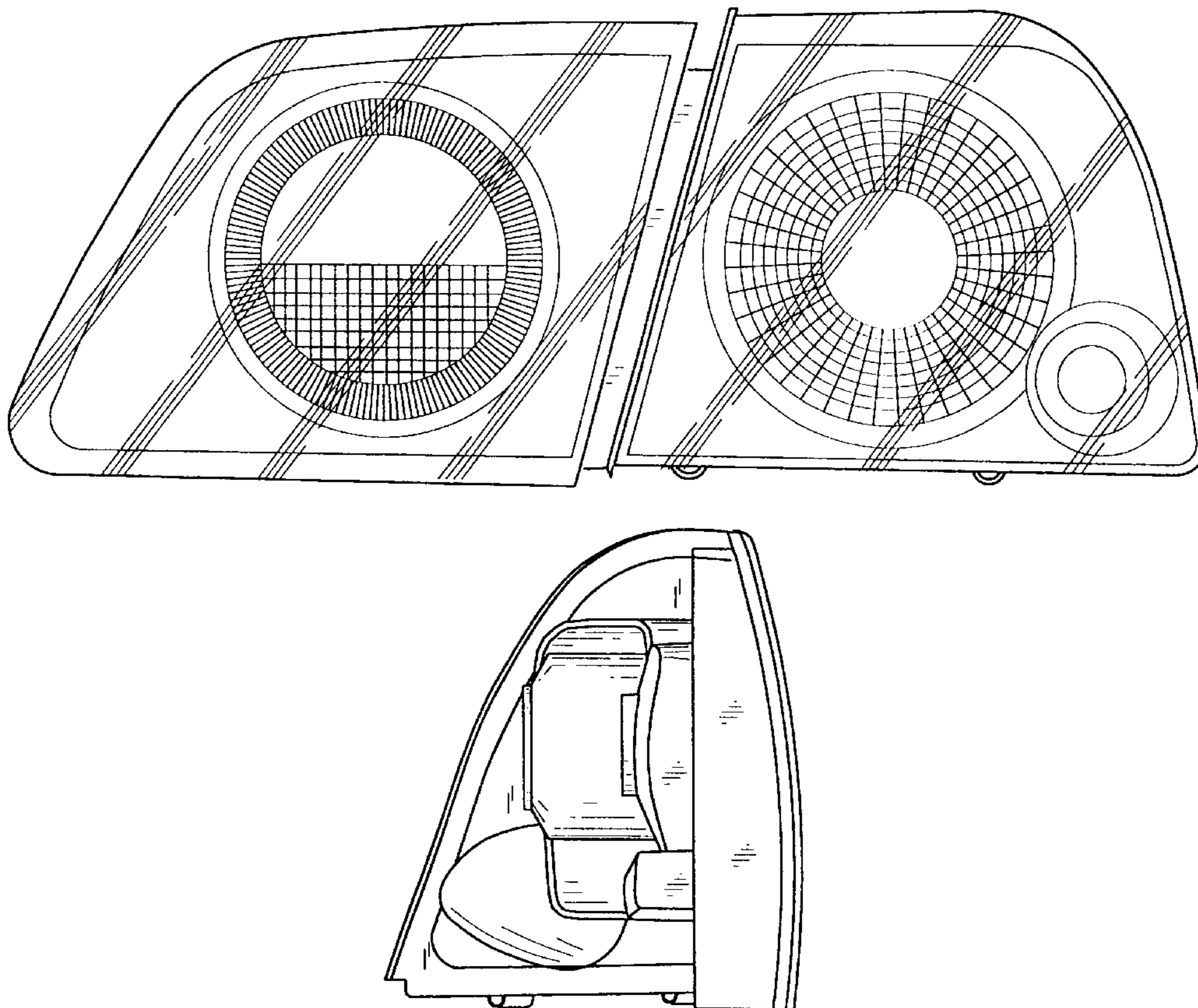
OTHER PUBLICATIONS

2-door Civic Tail Light Picture 1 prior to Aug. 23, 2002.
2-door Civic Tail Light Picture 2 prior to Aug. 23, 2002.
2-door Civic Tail Light Picture 3 prior to Aug. 23, 2002.

DESCRIPTION

FIG. 1 is a front elevation view of the vehicular tail light of the present invention showing my new design;
FIG. 2 is a left side elevation view thereof;
FIG. 3 is a right side elevation view thereof;
FIG. 4 is a top plan view thereof; and,
FIG. 5 is a bottom plan view thereof.

1 Claim, 2 Drawing Sheets



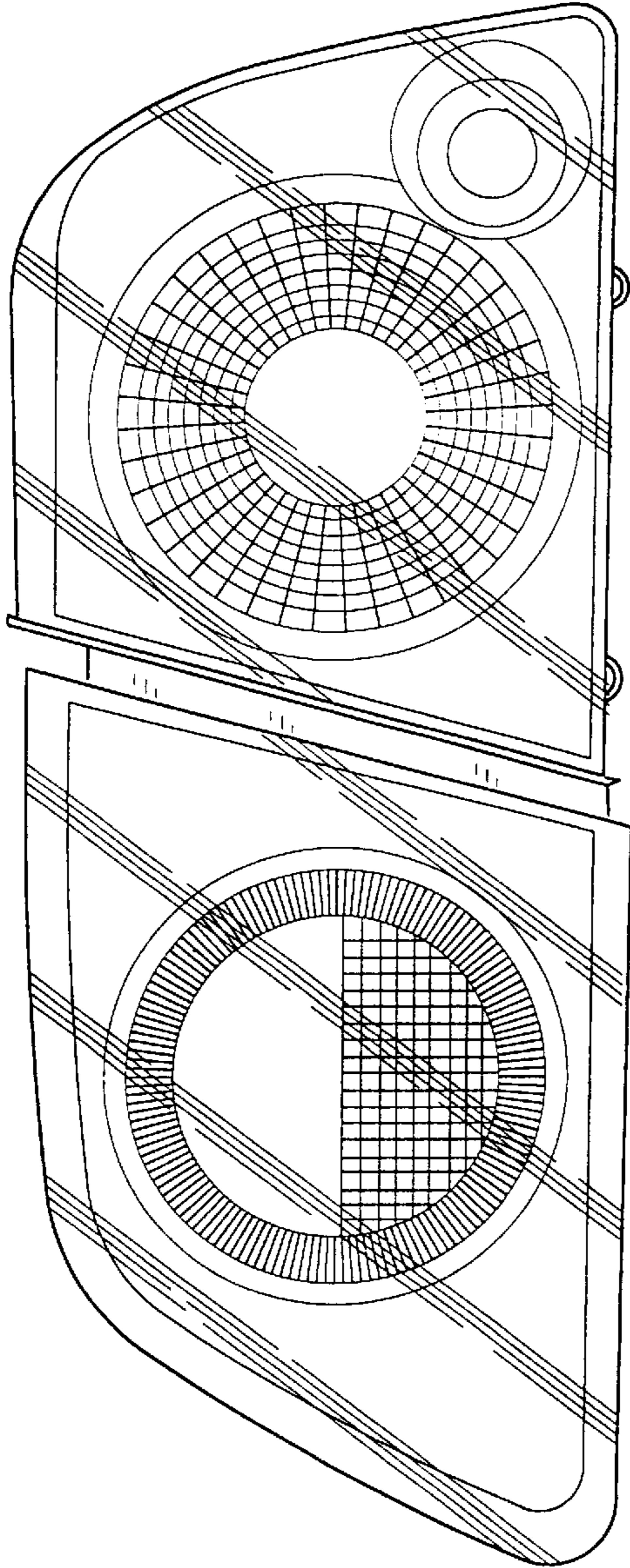


Fig. 1

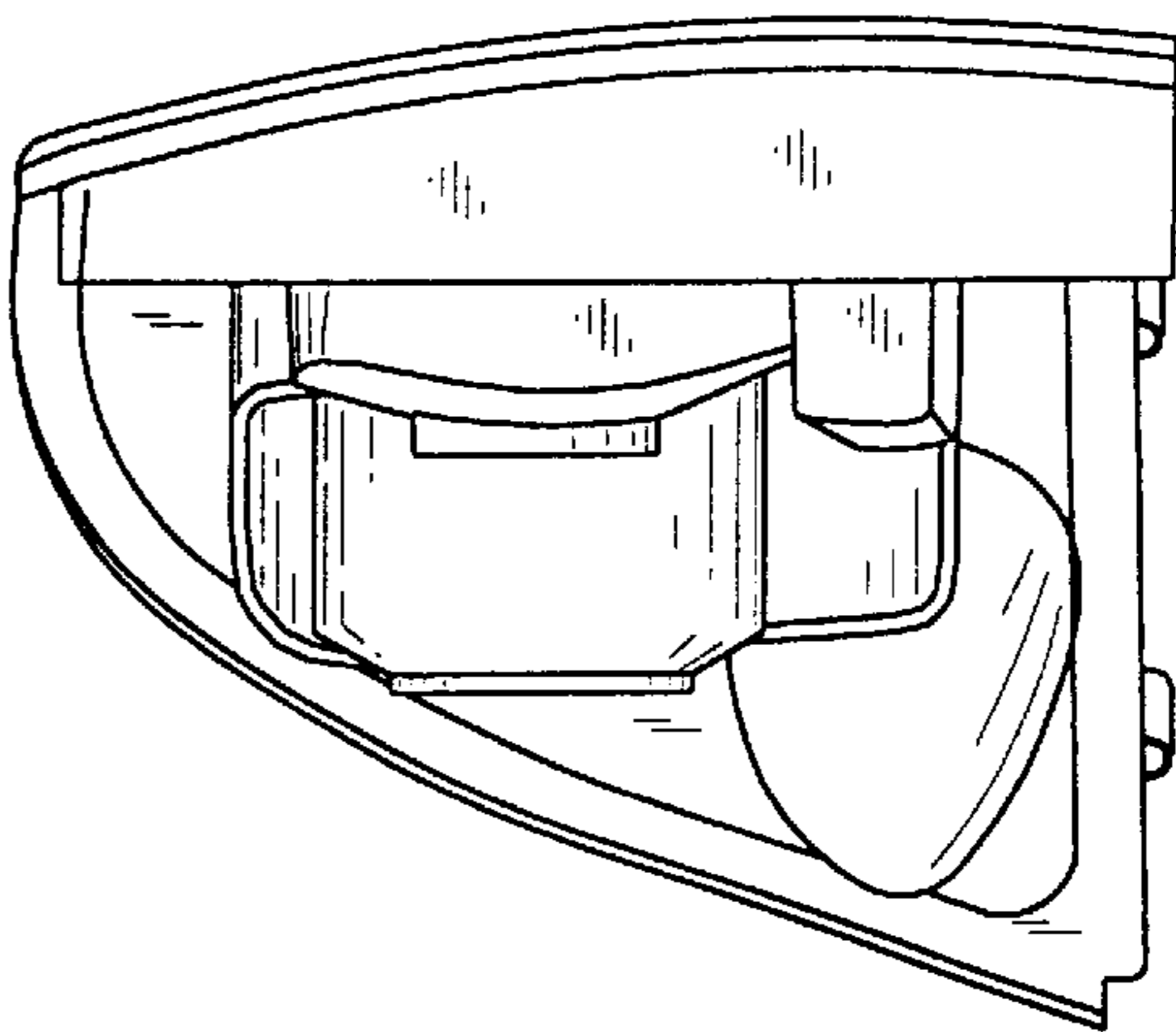


Fig. 2

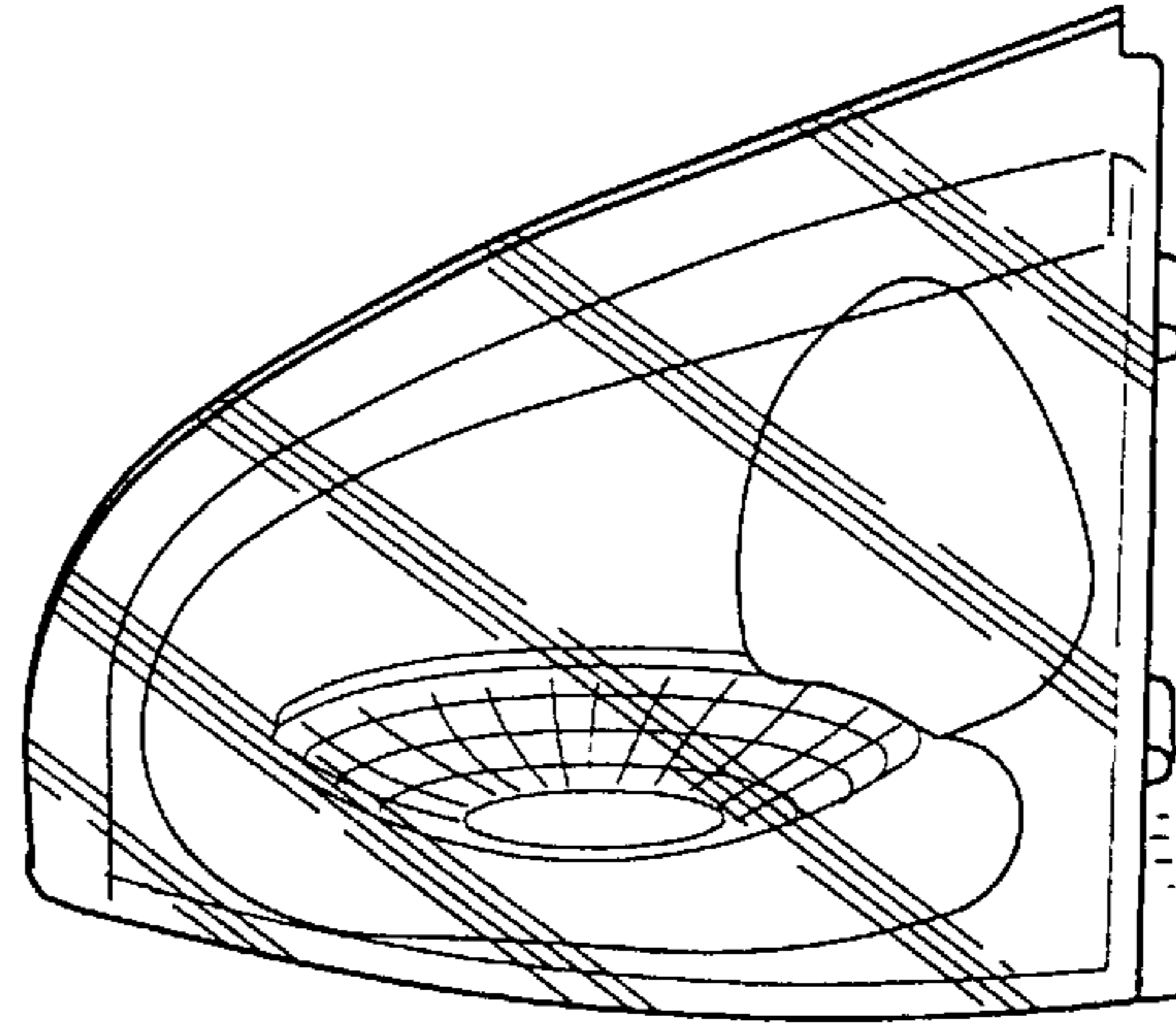


Fig. 3

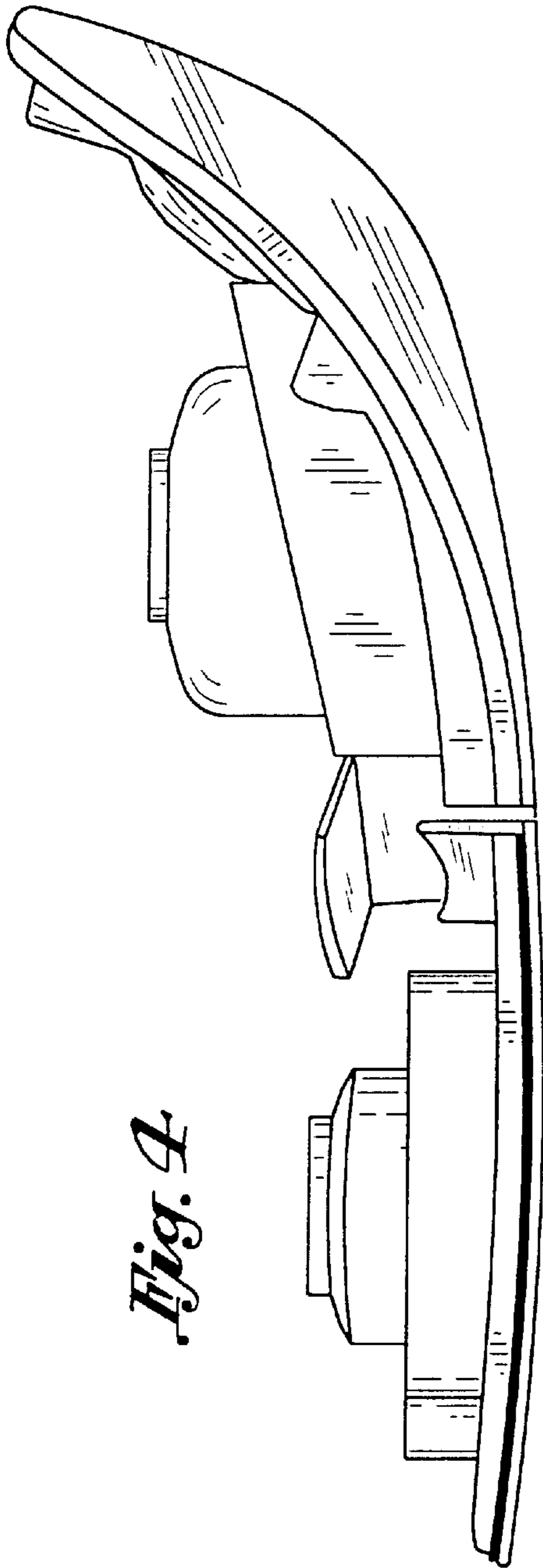


Fig. 4

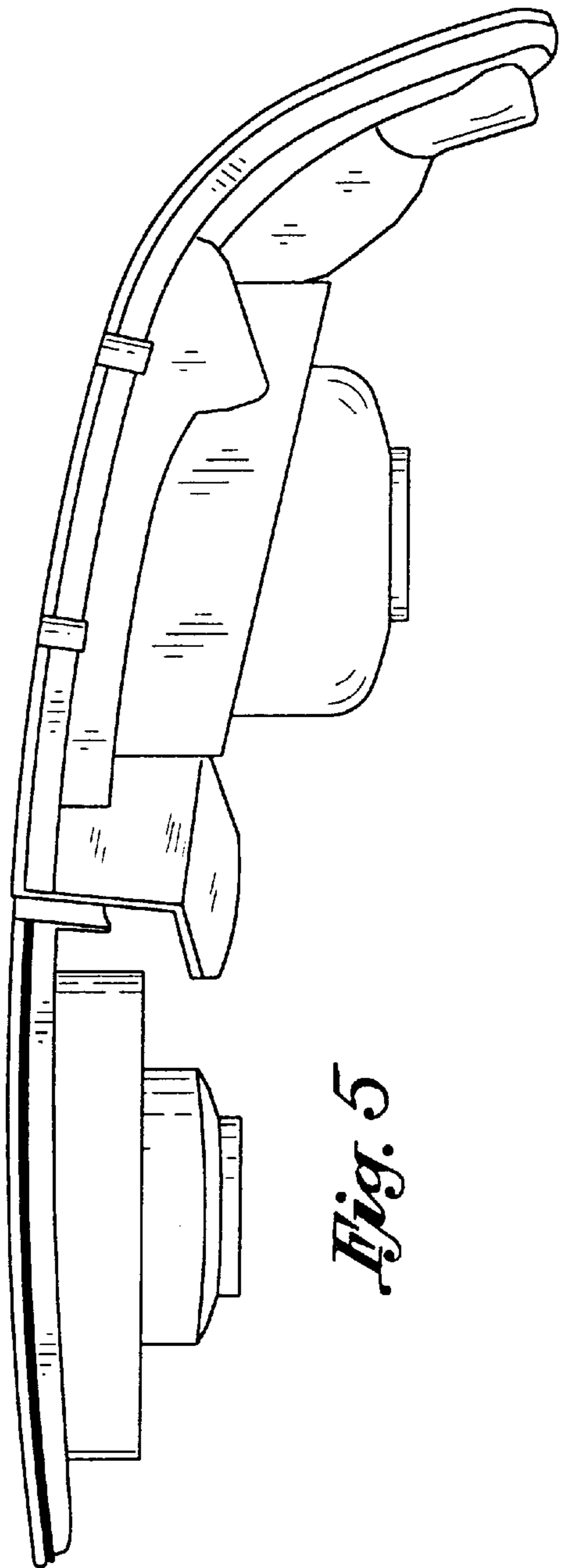


Fig. 5