



US00D476427S

(12) **United States Design Patent**
Pappas

(10) **Patent No.:** **US D476,427 S**

(45) **Date of Patent:** **** Jun. 24, 2003**

(54) **CANDLE**

6,471,731 B1 * 10/2002 Elliott et al. 431/288

(75) Inventor: **George G. Pappas**, Norwich, OH (US)

* cited by examiner

(73) Assignee: **Lumi-Lite Candle Company, Inc.**,
Norwich, OH (US)

Primary Examiner—Robin V. Taylor
(74) *Attorney, Agent, or Firm*—Frank H. Foster; Kremblas,
Foster, Phillips & Pollick

(**) Term: **14 Years**

(57) **CLAIM**

(21) Appl. No.: **29/169,879**

The ornamental design for a candle, as shown and described.

(22) Filed: **Oct. 28, 2002**

DESCRIPTION

(51) **LOC (7) Cl.** **26-04**

(52) **U.S. Cl.** **D26/6**

(58) **Field of Search** D26/6, 7, 9-11;
431/288, 291

FIG. 1 is a view in perspective of a candle showing my new design.

FIG. 2 is a top view thereof.

FIG. 3 is a bottom view thereof.

FIG. 4 is a front view thereof; and,

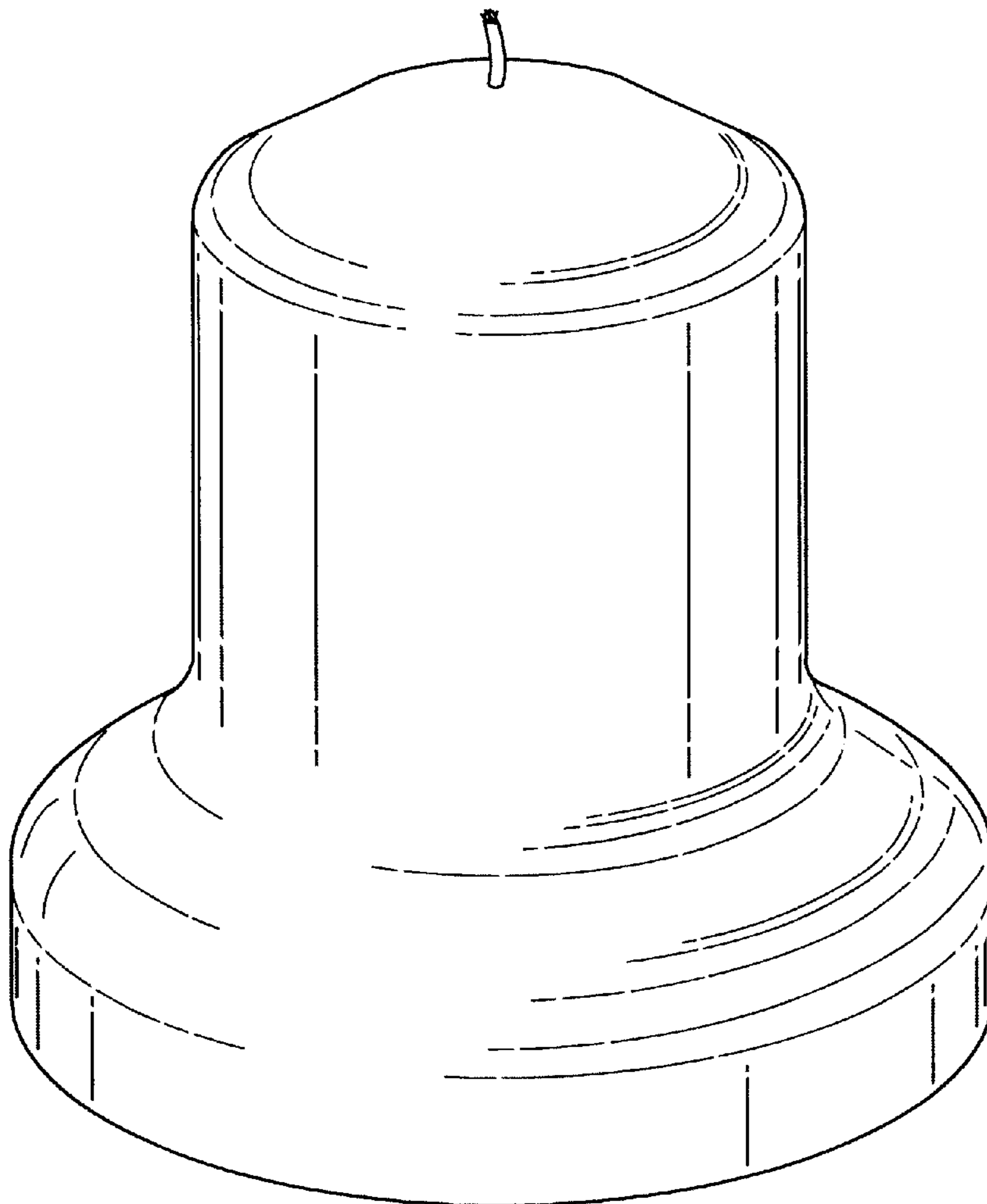
FIG. 5 is a side view thereof, the front, left side, right side and rear views all being identical because of the axial symmetry of the design.

(56) **References Cited**

U.S. PATENT DOCUMENTS

- D409,316 S * 5/1999 Majerowski D26/6
- D455,846 S * 4/2002 Araujo D26/6
- D459,498 S * 6/2002 Araujo D26/6

1 Claim, 3 Drawing Sheets



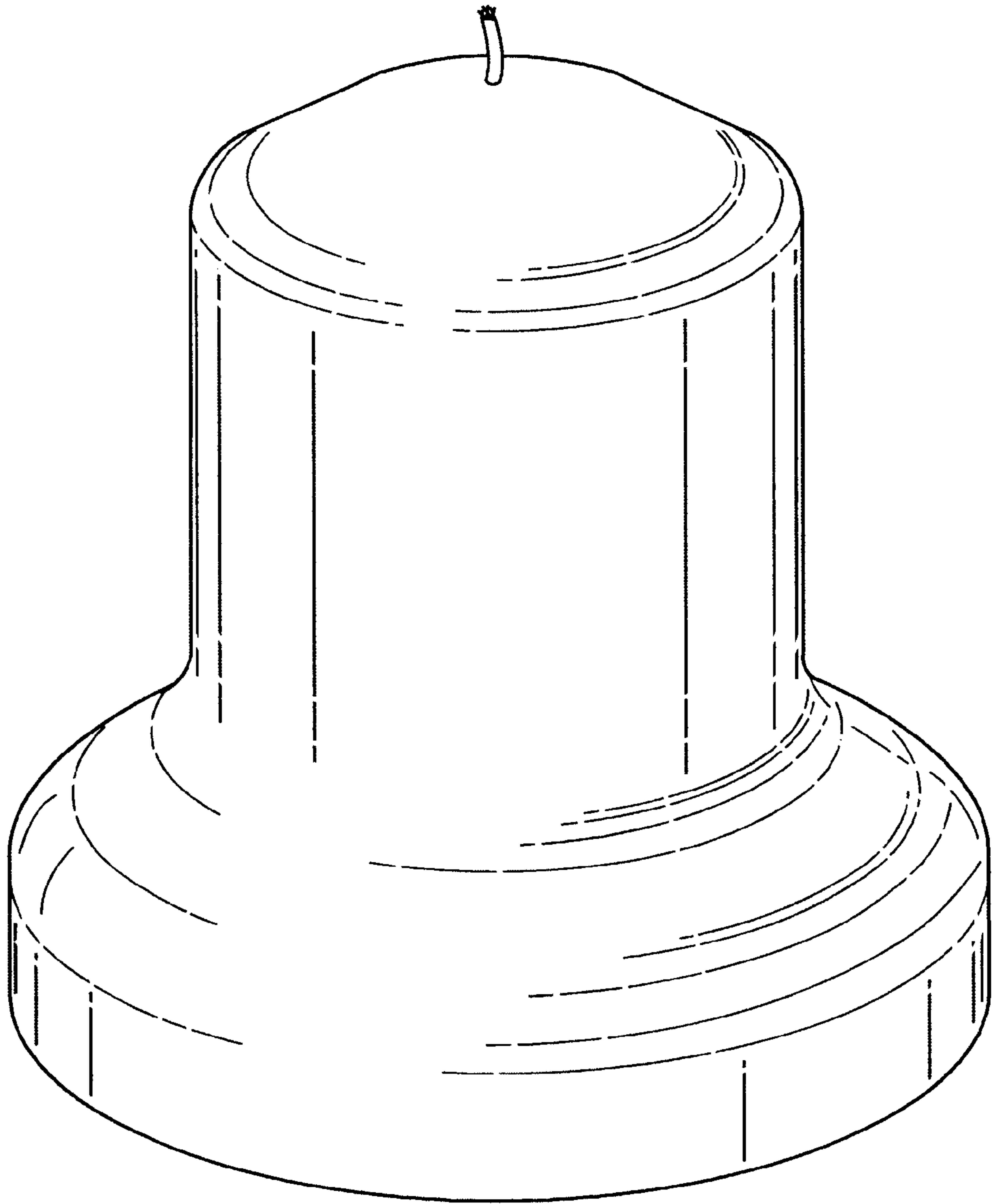


Fig. 1

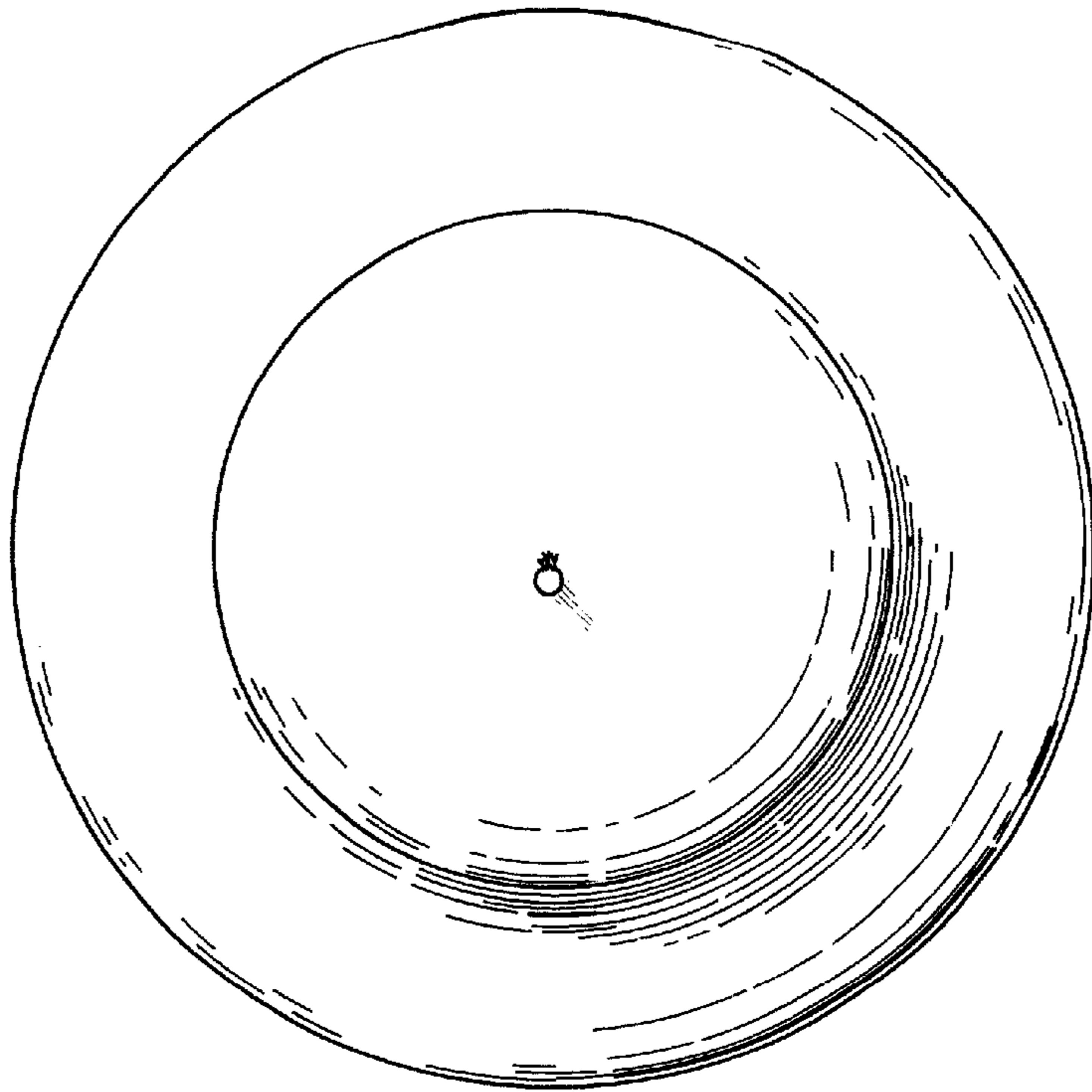


Fig. 2

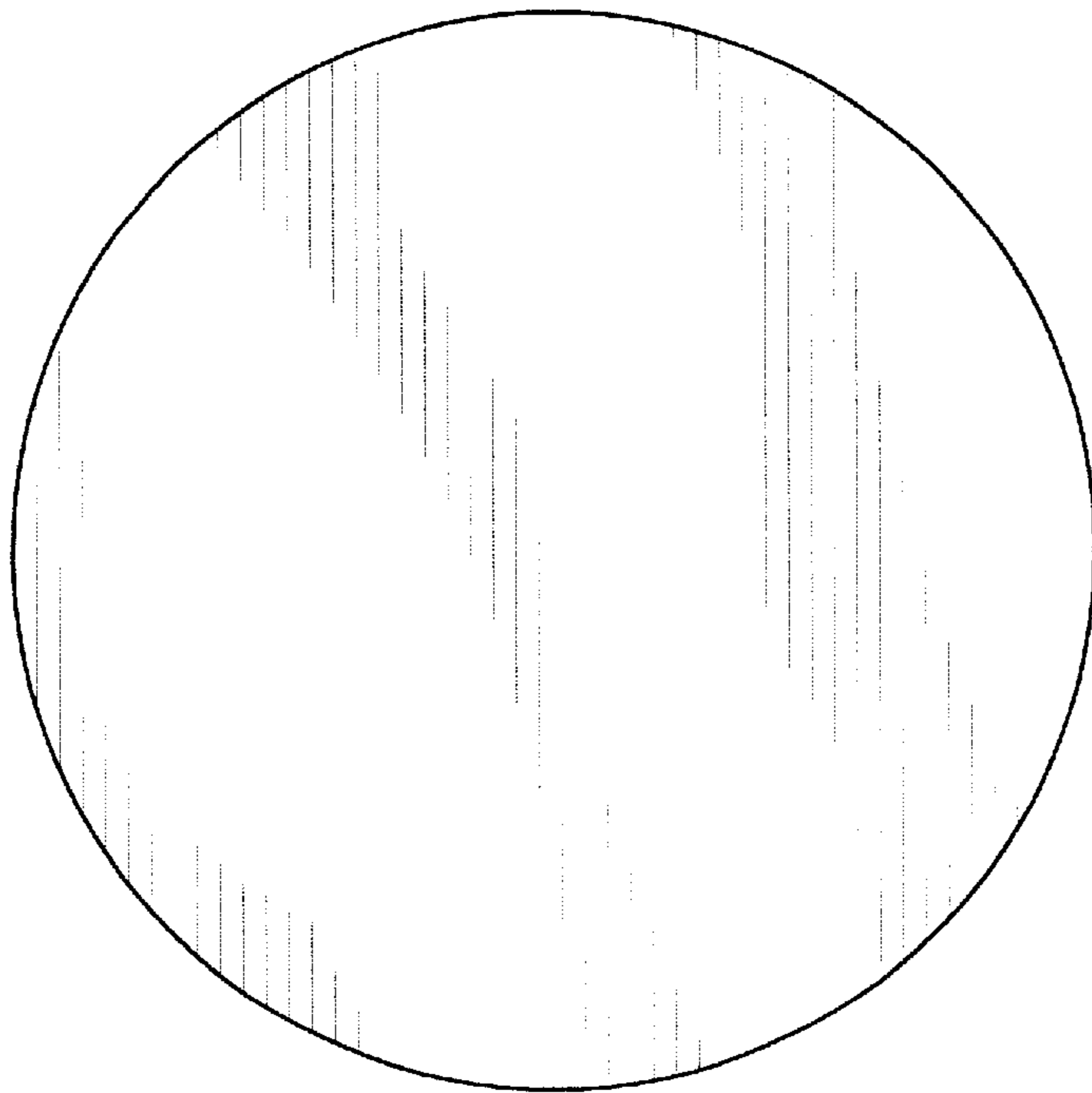


Fig. 3

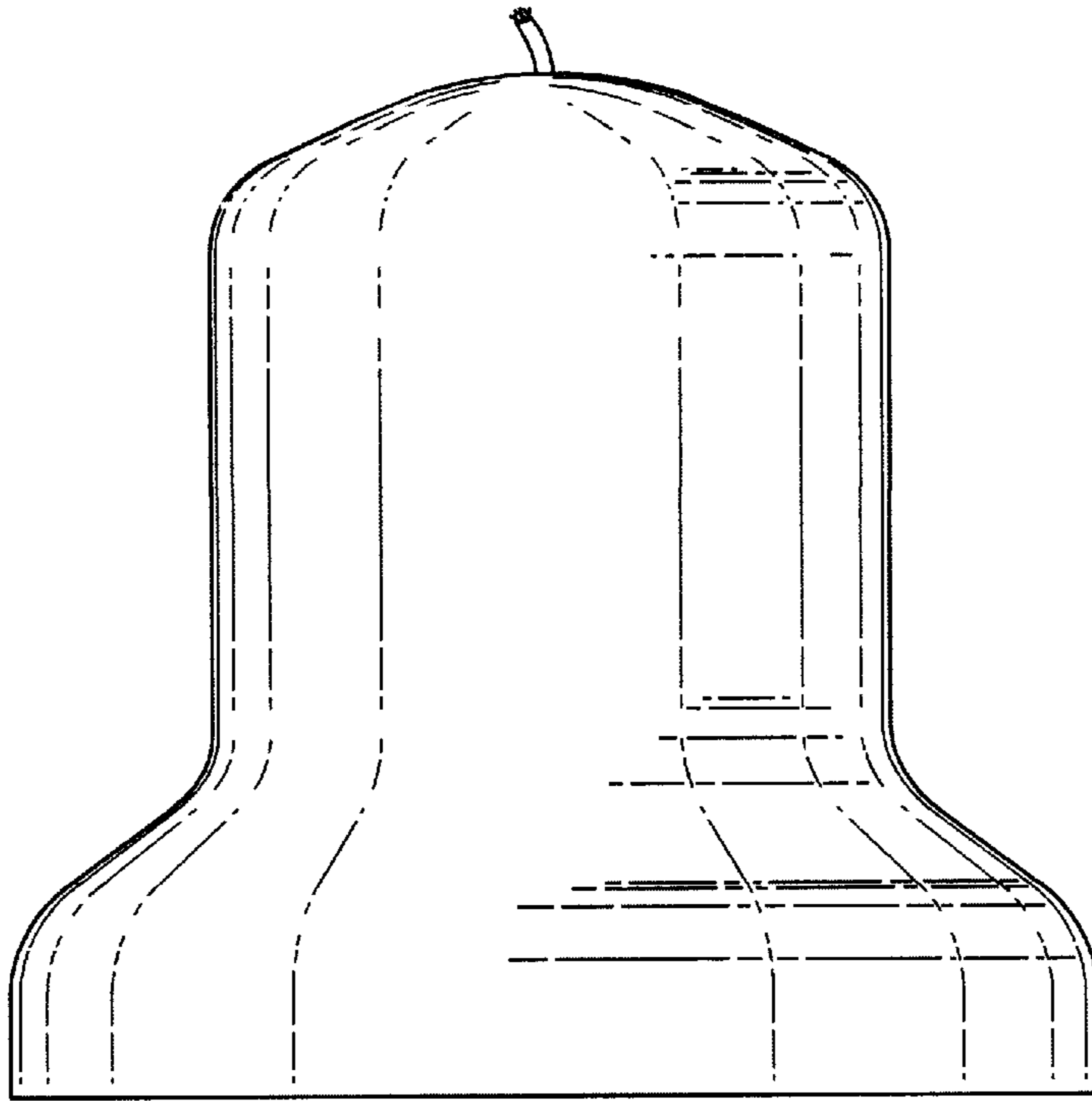


Fig. 4

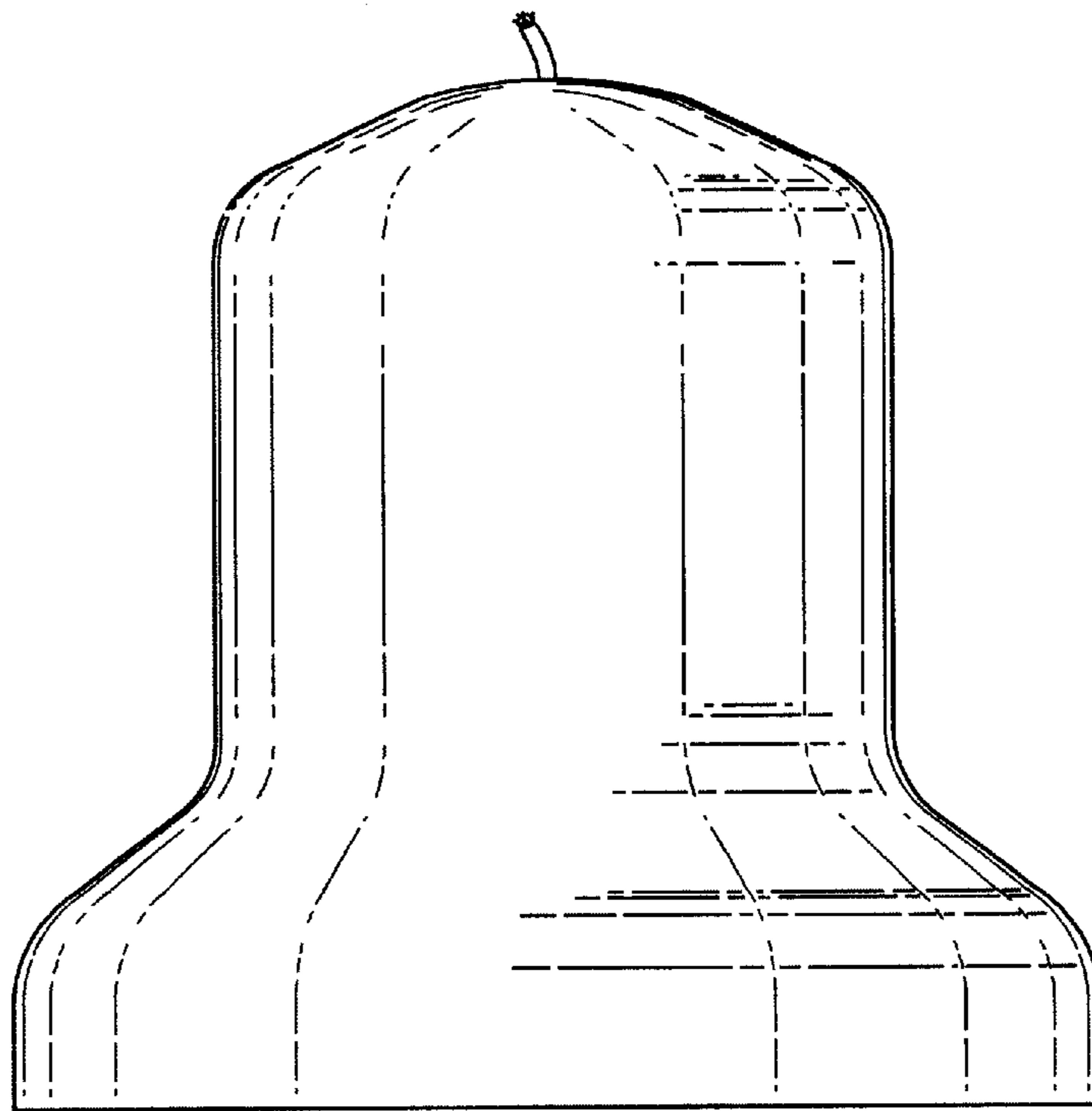


Fig. 5