



US00D476424S

(12) **United States Design Patent**
Shanahan

(10) **Patent No.:** **US D476,424 S**

(45) **Date of Patent:** **** Jun. 24, 2003**

(54) **BUILDING STRUCTURE FACADE**

(76) Inventor: **Paul J. Shanahan**, 105 E. Helen,
Palatine, IL (US) 60067

(**) Term: **14 Years**

(21) Appl. No.: **29/167,142**

(22) Filed: **Sep. 10, 2002**

(51) **LOC (7) Cl.** **25-02**

(52) **U.S. Cl.** **D25/59**

(58) **Field of Search** D25/59; 52/415,
52/311.1, 315

(56) **References Cited**

U.S. PATENT DOCUMENTS

D217,857 S * 6/1970 Miller D25/59
D425,208 S * 5/2000 Allison D25/59

* cited by examiner

Primary Examiner—Doris Clark

(74) *Attorney, Agent, or Firm*—Wallenstein & Wagner, Ltd.

(57) **CLAIM**

The ornamental design for a “building structure facade”, as shown and described.

DESCRIPTION

FIG. 1 is a perspective view of the building structure facade in relation to the remainder of the building;

FIG. 2 is a perspective view of the building structure facade;

FIG. 3 is a rear view thereof;

FIG. 4 is a top view thereof;

FIG. 5 is a right side view thereof; and,

FIG. 6 is the left side view thereof.

The bottom of the building structure facade, which is generally not viewed or observed, is plain and unornamented.

Features shown in broken lines in the drawings are not part of the claim.

1 Claim, 5 Drawing Sheets

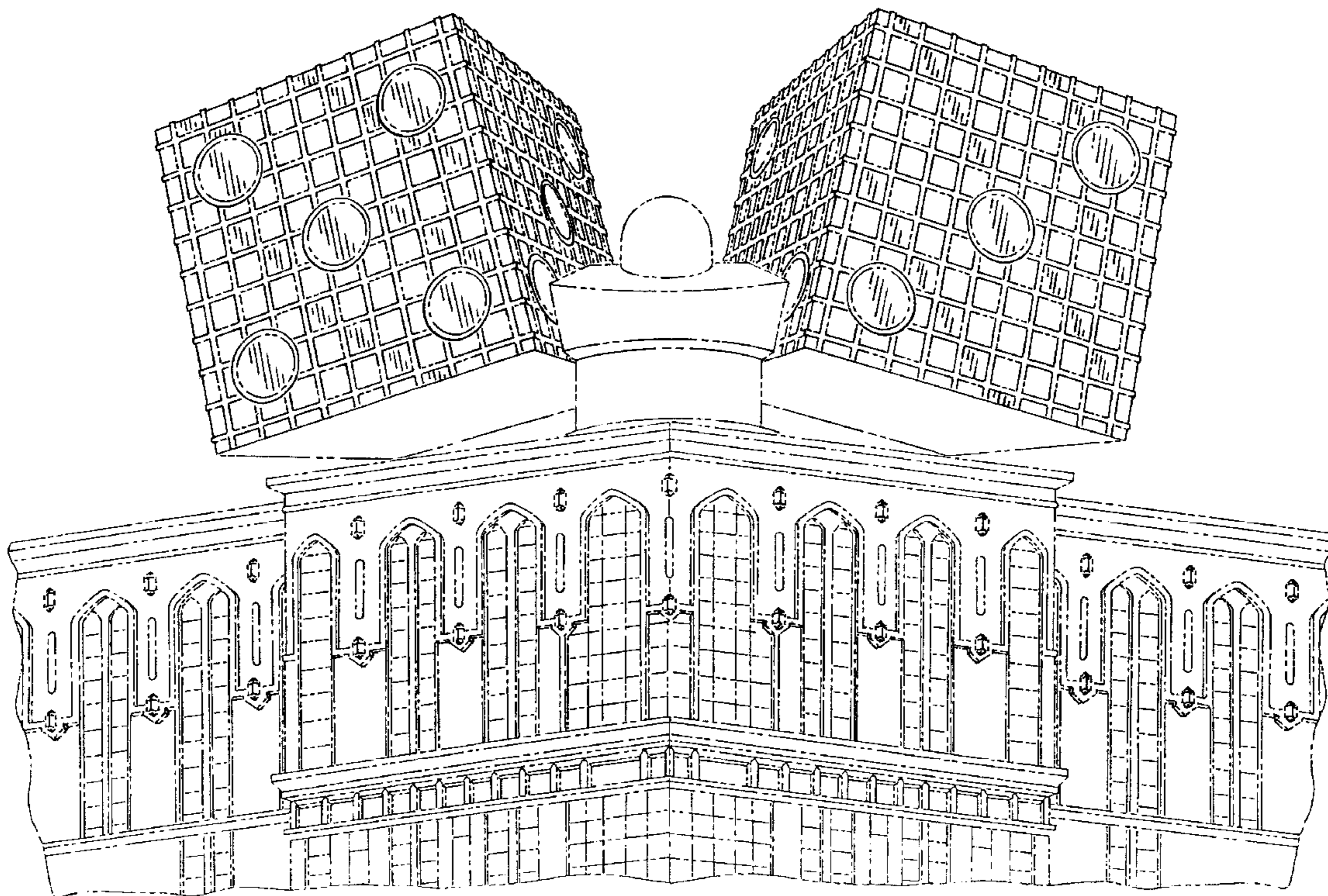


FIG. 1

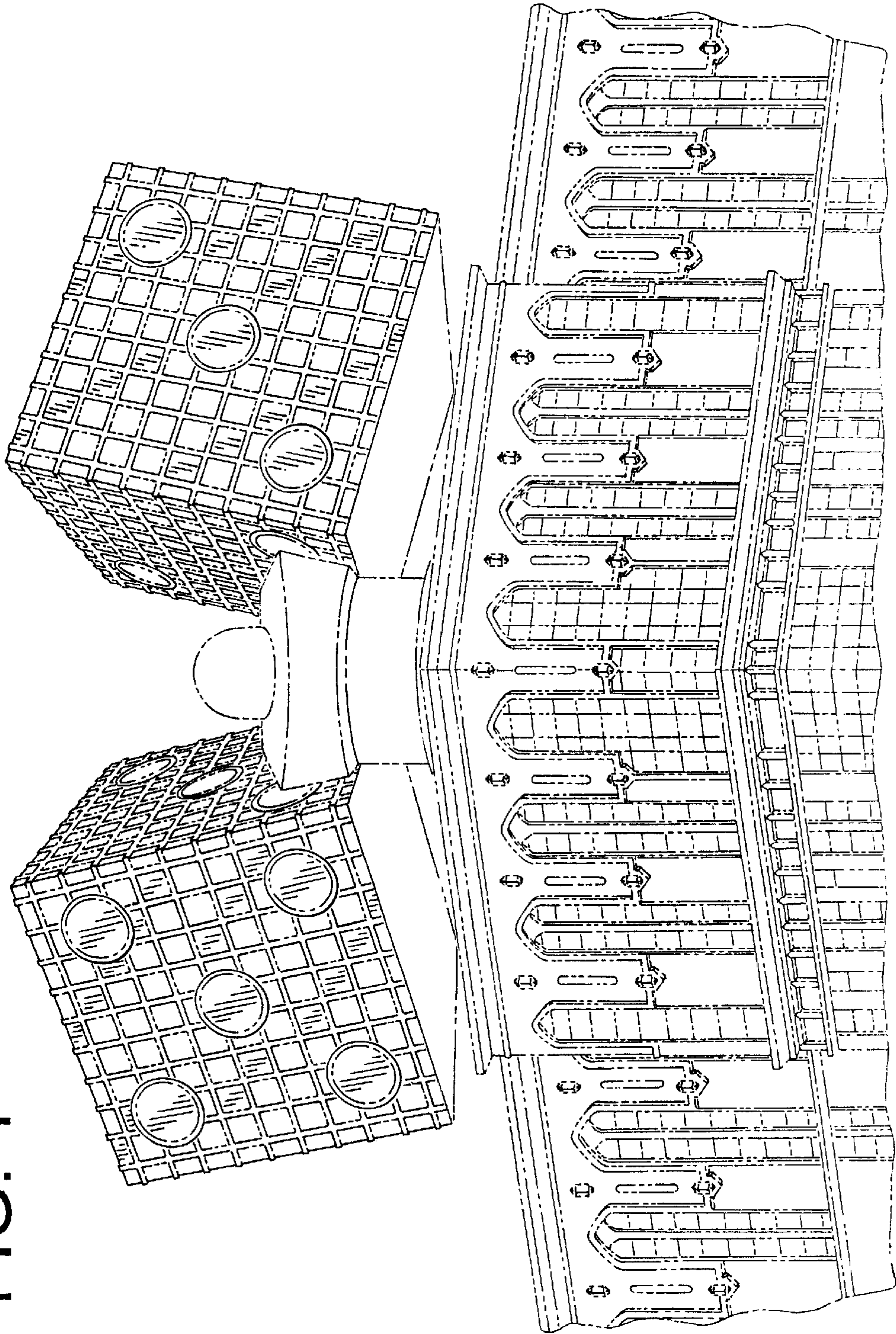


FIG. 2

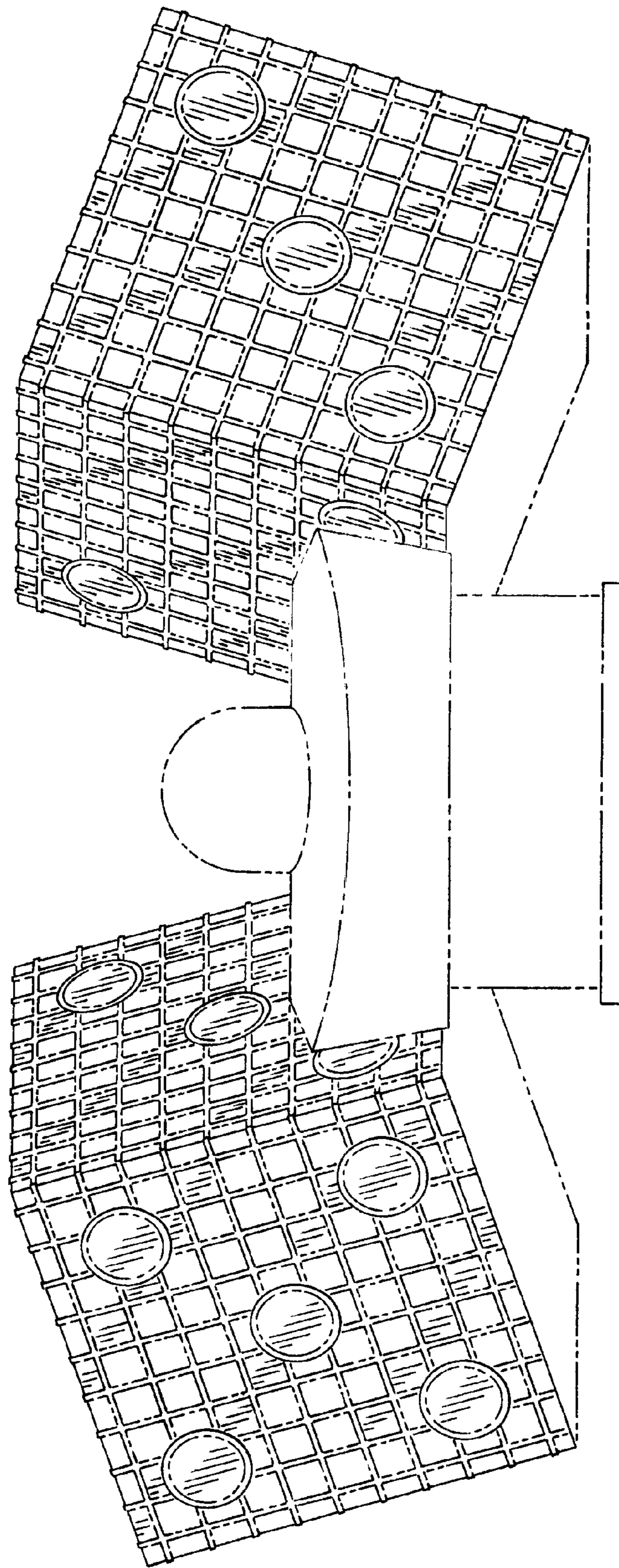


FIG. 3

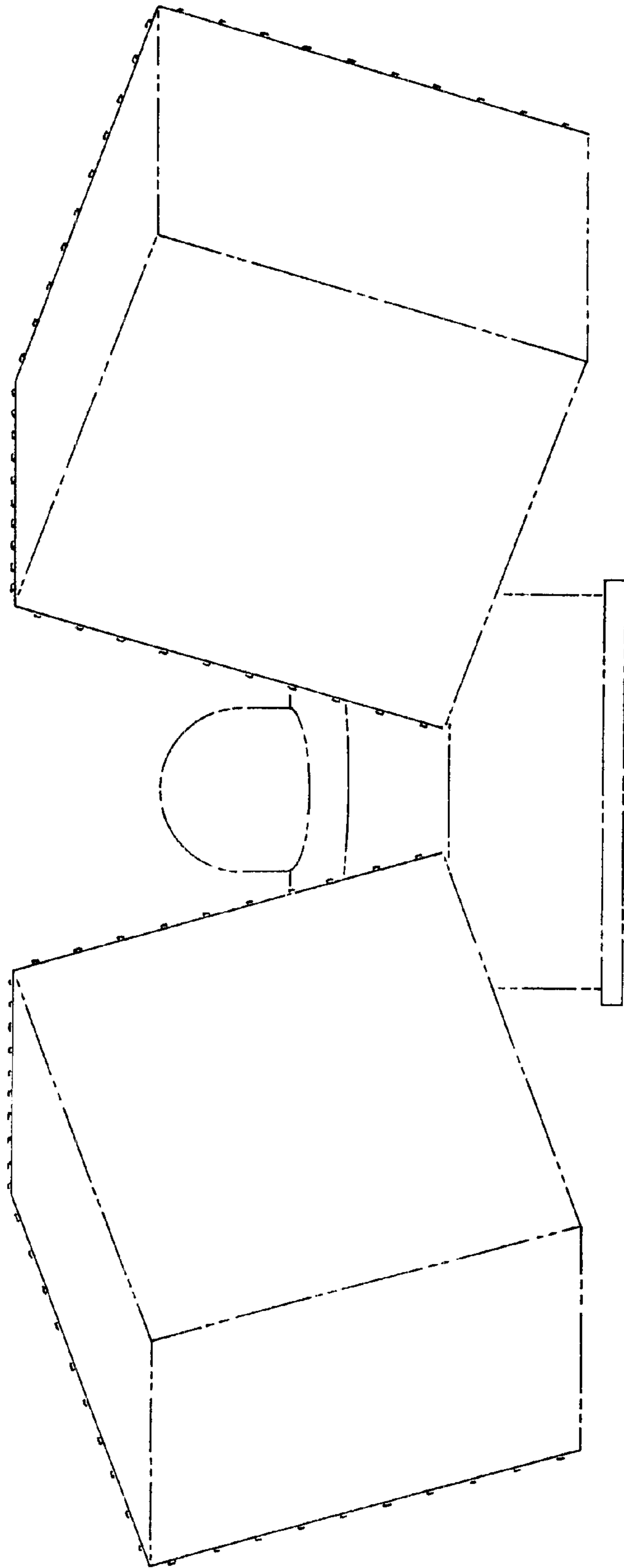


FIG. 4

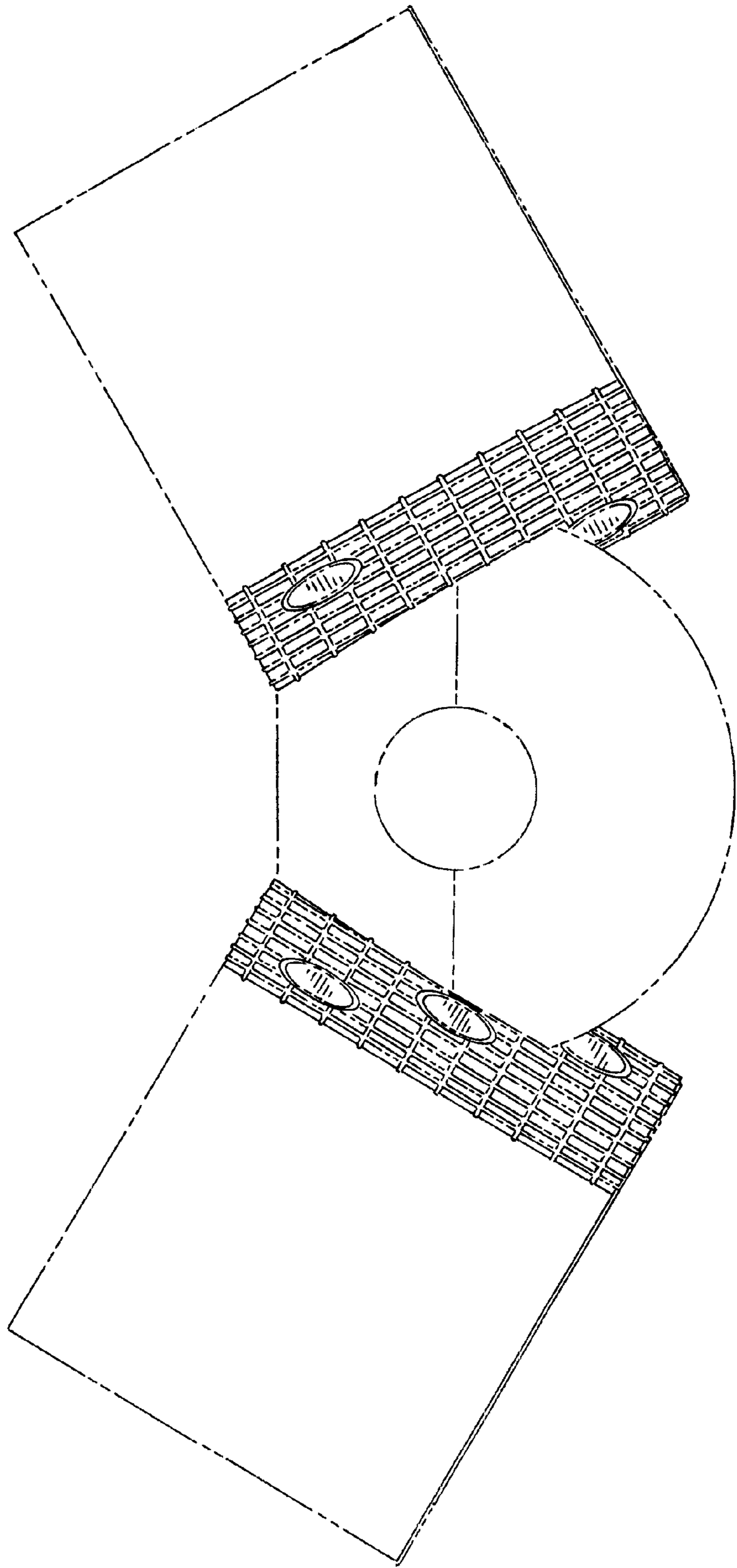


FIG. 6

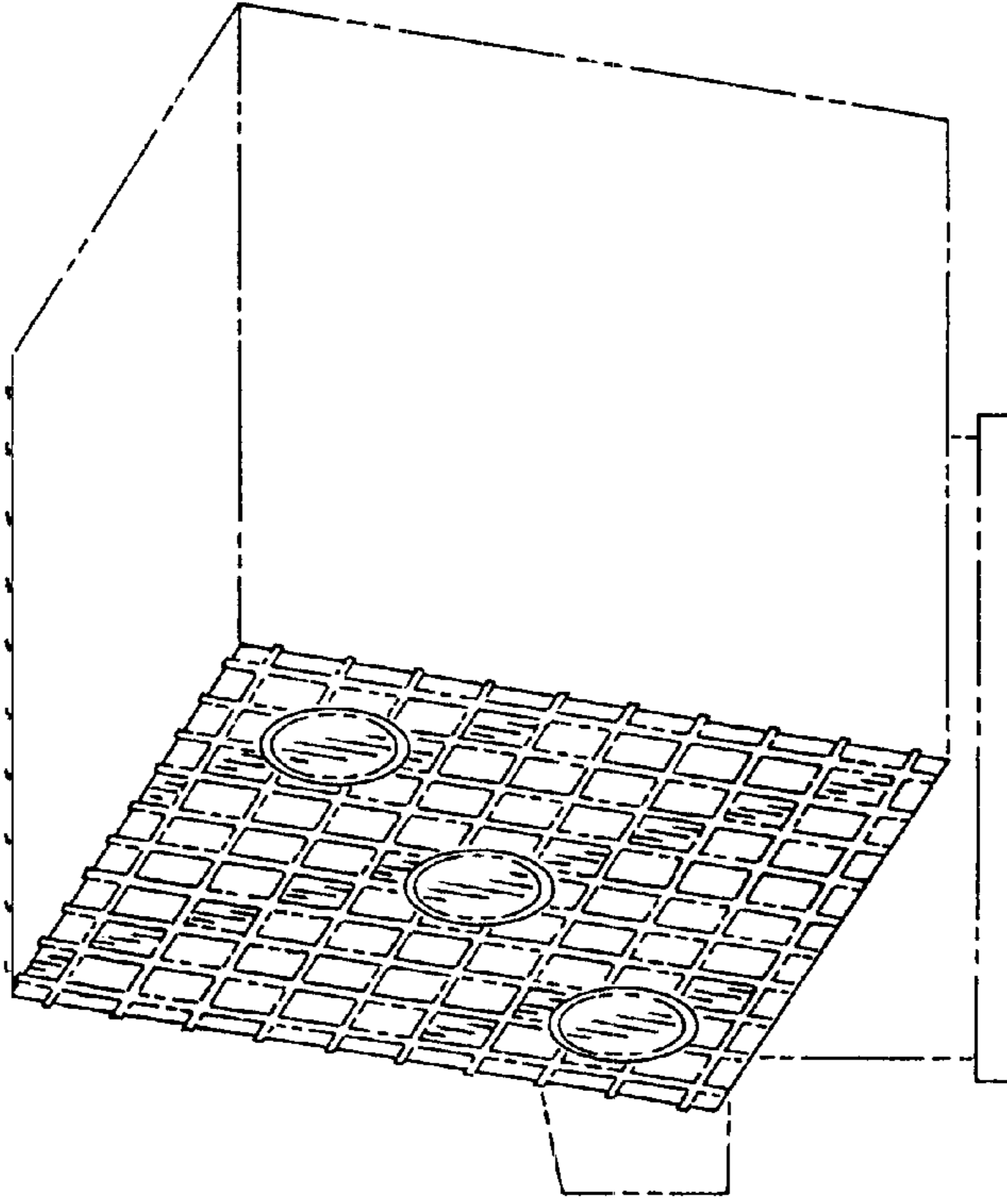


FIG. 5

