



US00D476423S

(12) **United States Design Patent**  
**Picot et al.**

(10) **Patent No.:** **US D476,423 S**

(45) **Date of Patent:** **\*\* Jun. 24, 2003**

(54) **STERILIZING CONTAINER**

*Primary Examiner*—Ian Simmons  
(74) *Attorney, Agent, or Firm*—Barry R. Lipsitz

(75) Inventors: **Daniel Picot**, Buehl (DE); **Gilles Thevenot**, Baden-Baden (DE)

(57) **CLAIM**

(73) Assignee: **Aesculap AG & Co. KG**, Tuttlingen (DE)

The ornamental design for a sterilizing container, as shown and described.

(\*\*) Term: **14 Years**

**DESCRIPTION**

(21) Appl. No.: **29/160,791**

FIG. 1 is a perspective view of a sterilizing container showing our new design;

(22) Filed: **May 15, 2002**

FIG. 2 is a top view thereof;

(30) **Foreign Application Priority Data**

Nov. 16, 2001 (WO) ..... DM/058 318

FIG. 3 is a front elevational view thereof, the rear elevational view being identical thereto;

(51) **LOC (7) Cl.** ..... **24-02**

FIG. 4 is a right side view thereof, the left side view being identical thereto;

(52) **U.S. Cl.** ..... **D24/217**

(58) **Field of Search** ..... D24/217; 422/300, 422/297, 299, 292, 302, 298; 206/363, 364, 365, 366; 220/371, 360

FIG. 5 is a bottom plan view thereof;

(56) **References Cited**

**U.S. PATENT DOCUMENTS**

5,508,006	A *	4/1996	Gabele et al.	422/297
D371,203	S *	6/1996	Deeds	D24/217
6,077,485	A *	6/2000	Baker	422/300
6,319,481	B1 *	11/2001	Banks	422/300

FIG. 6 is a perspective view of a second embodiment of a sterilizing container showing our new design;

FIG. 7 is a top view thereof;

FIG. 8 is a front elevational view thereof, the rear elevational view being identical thereto;

FIG. 9 is a right side view thereof, the left side view being identical thereto; and,

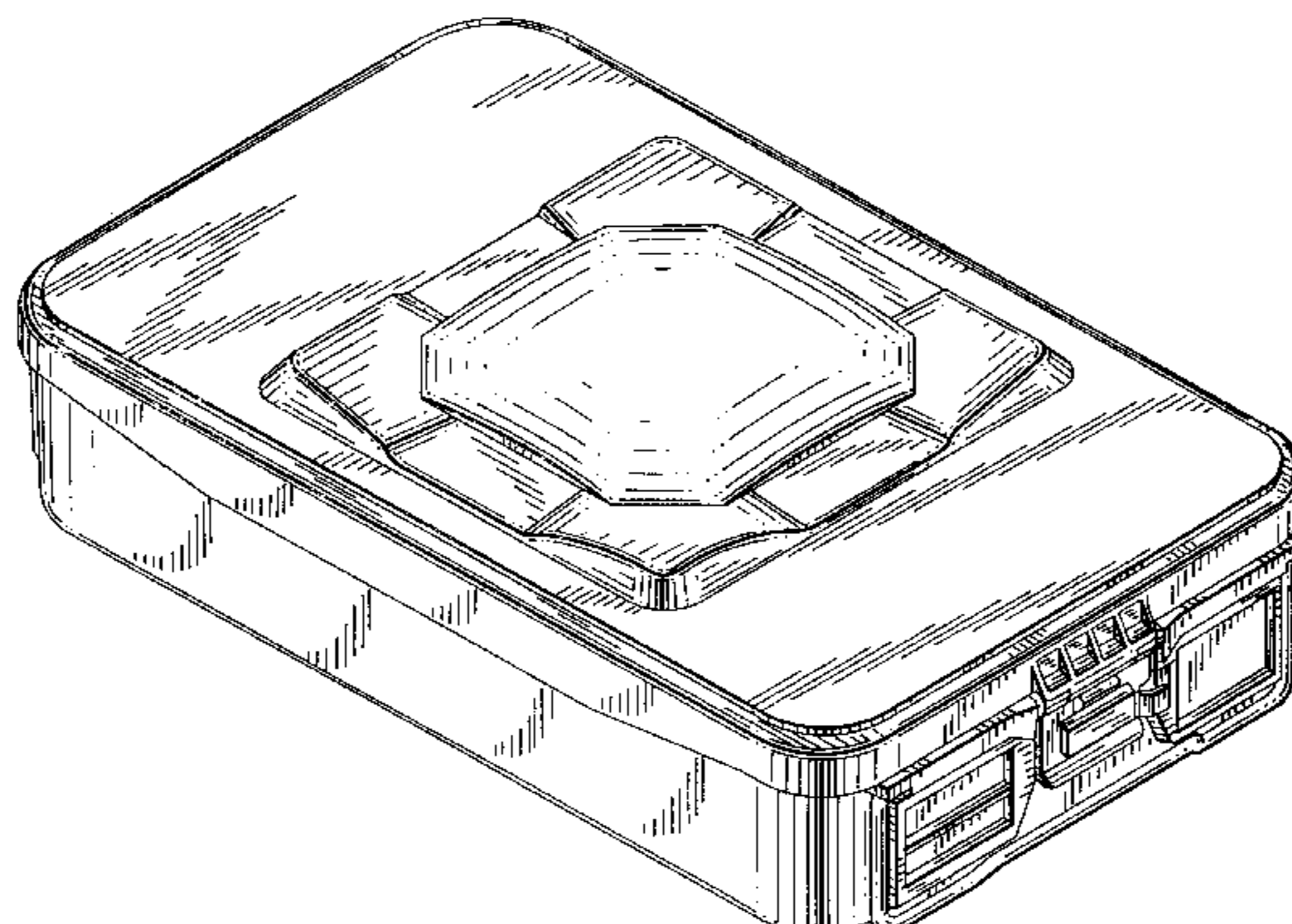
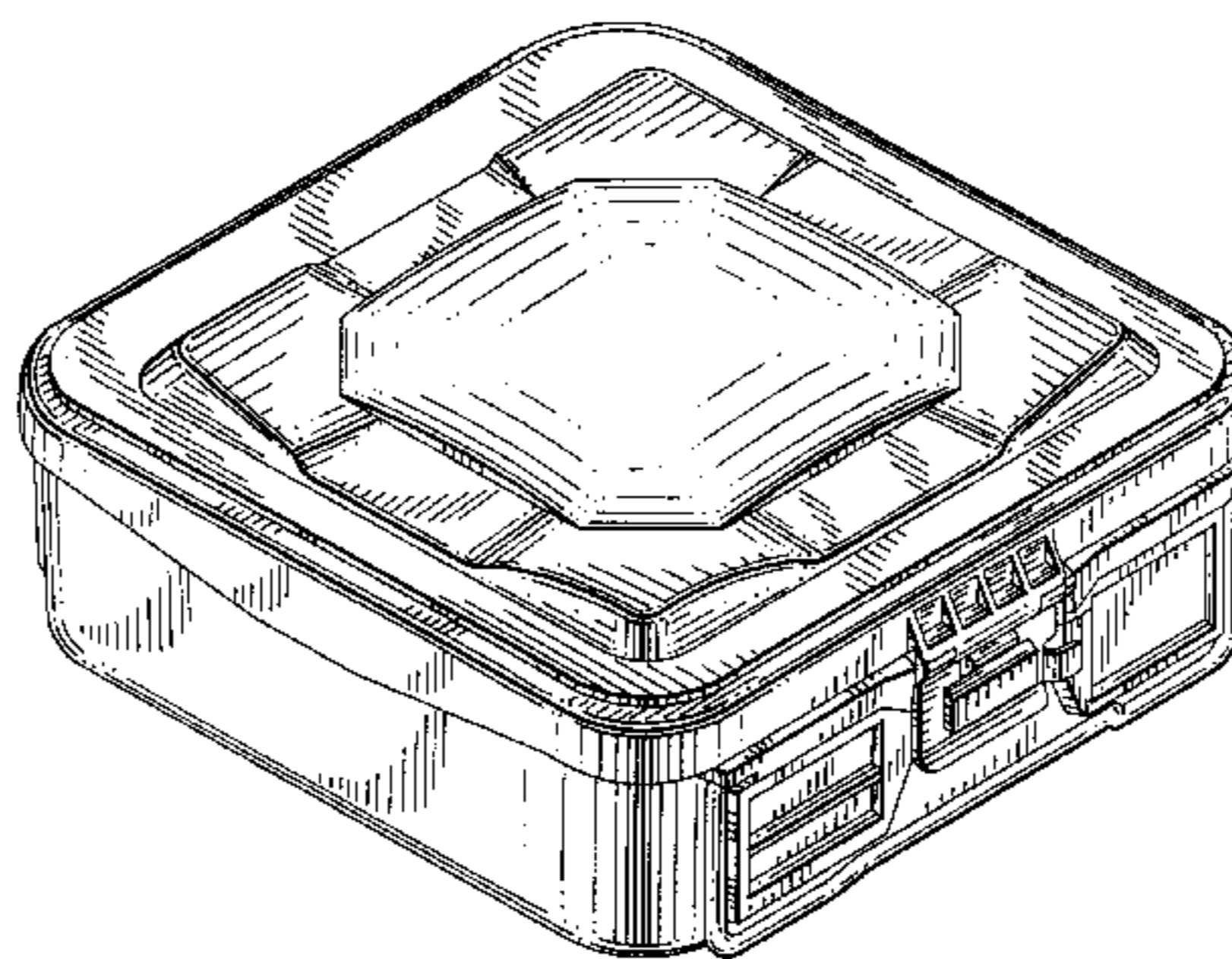
FIG. 10 is a bottom plan view thereof.

**OTHER PUBLICATIONS**

Aesculap AG & Co. KG catalog entitled "Sterilcontainer System", May 2000.

\* cited by examiner

**1 Claim, 6 Drawing Sheets**



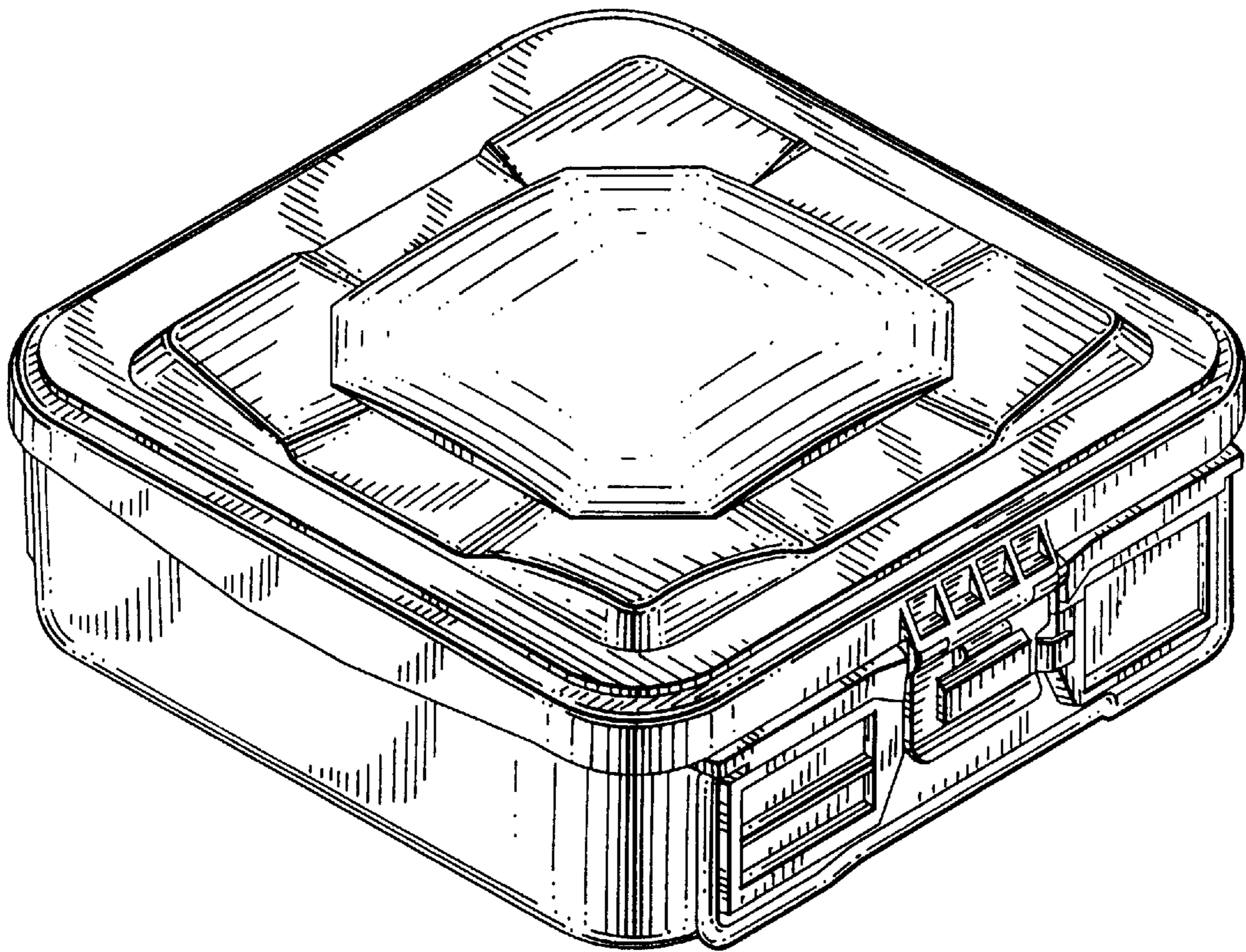


FIG. 1

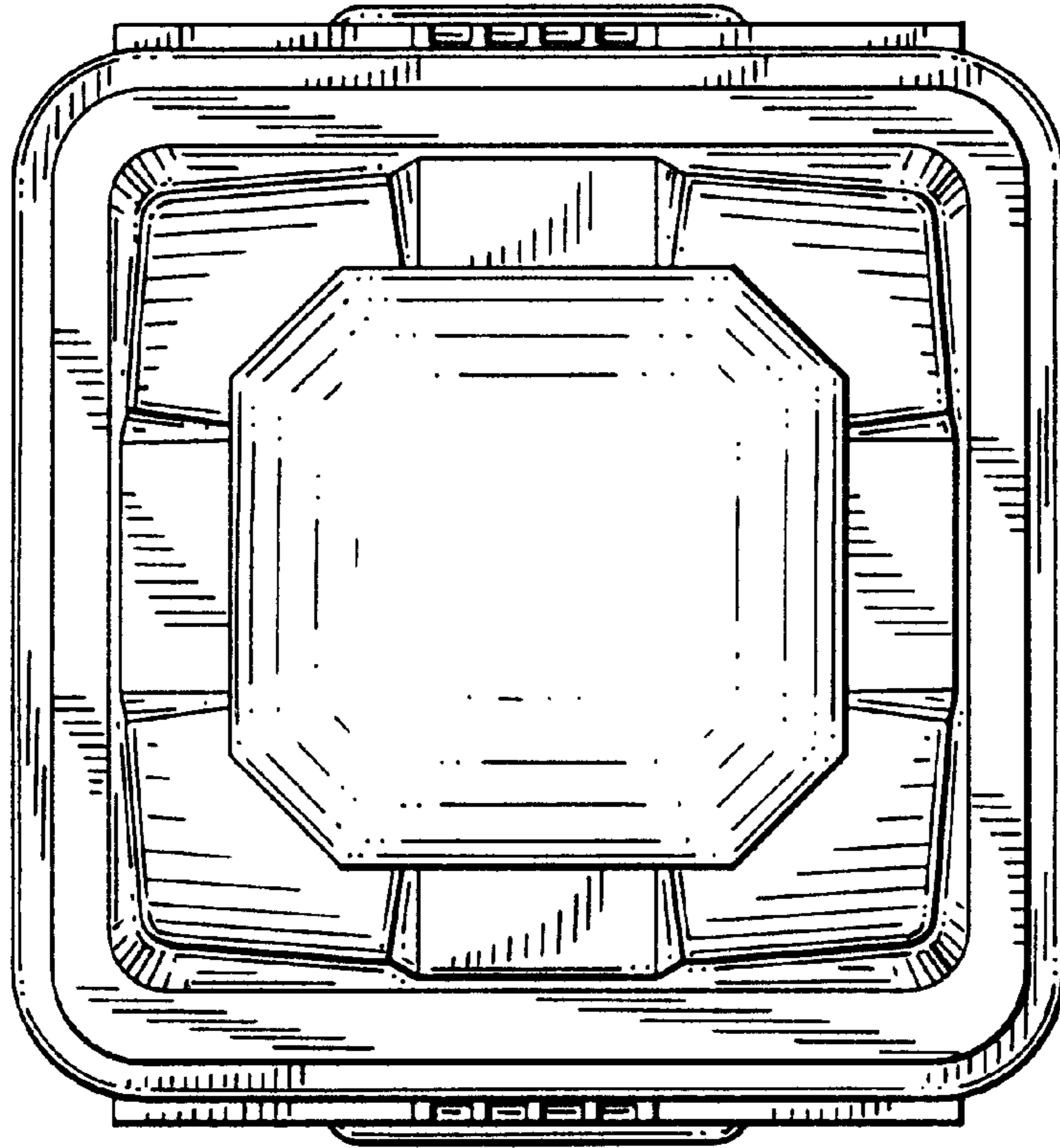


FIG. 2

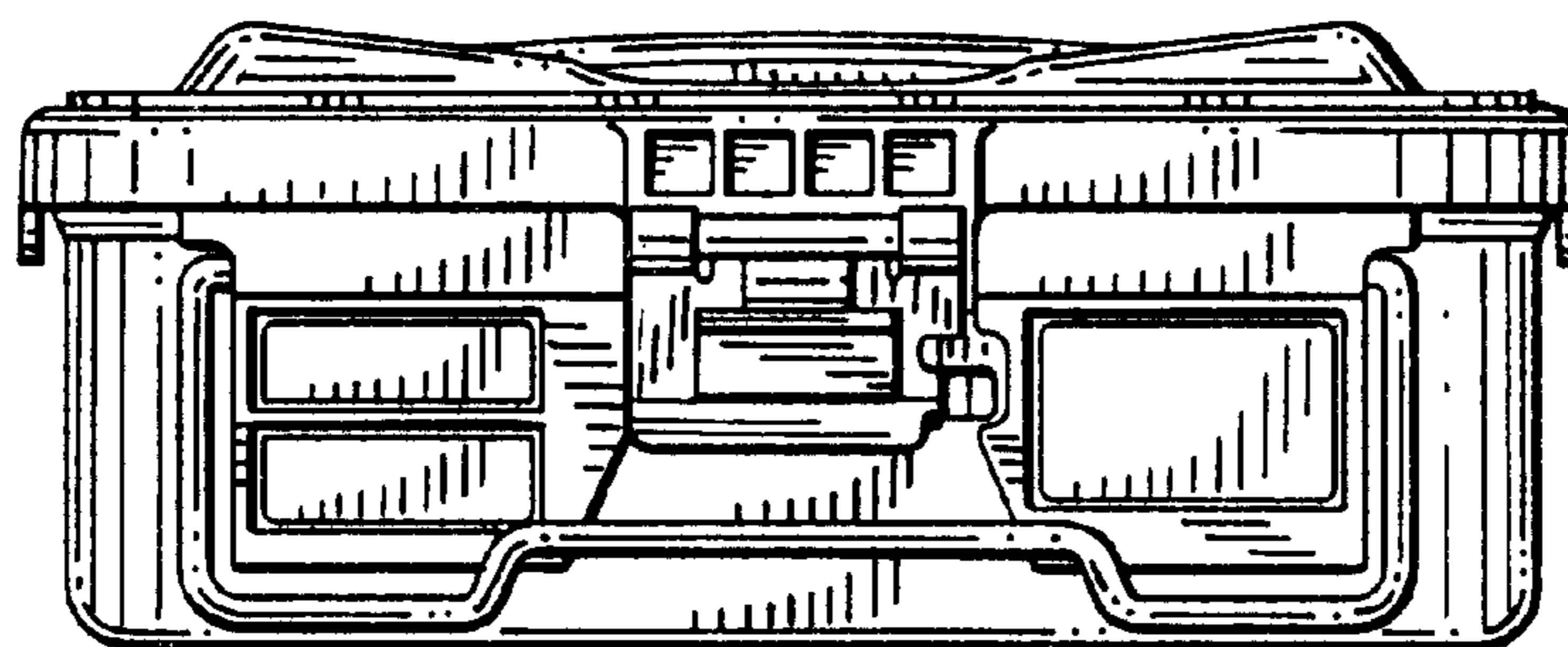


FIG. 3

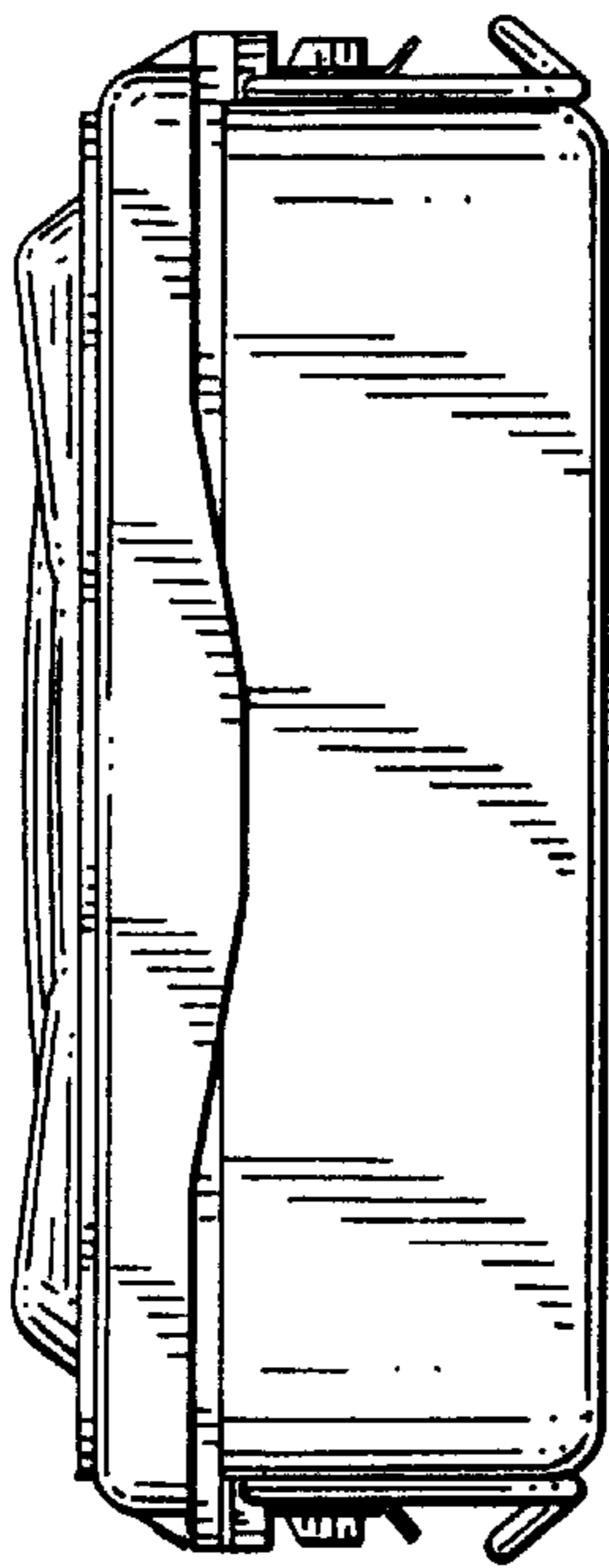


FIG. 4

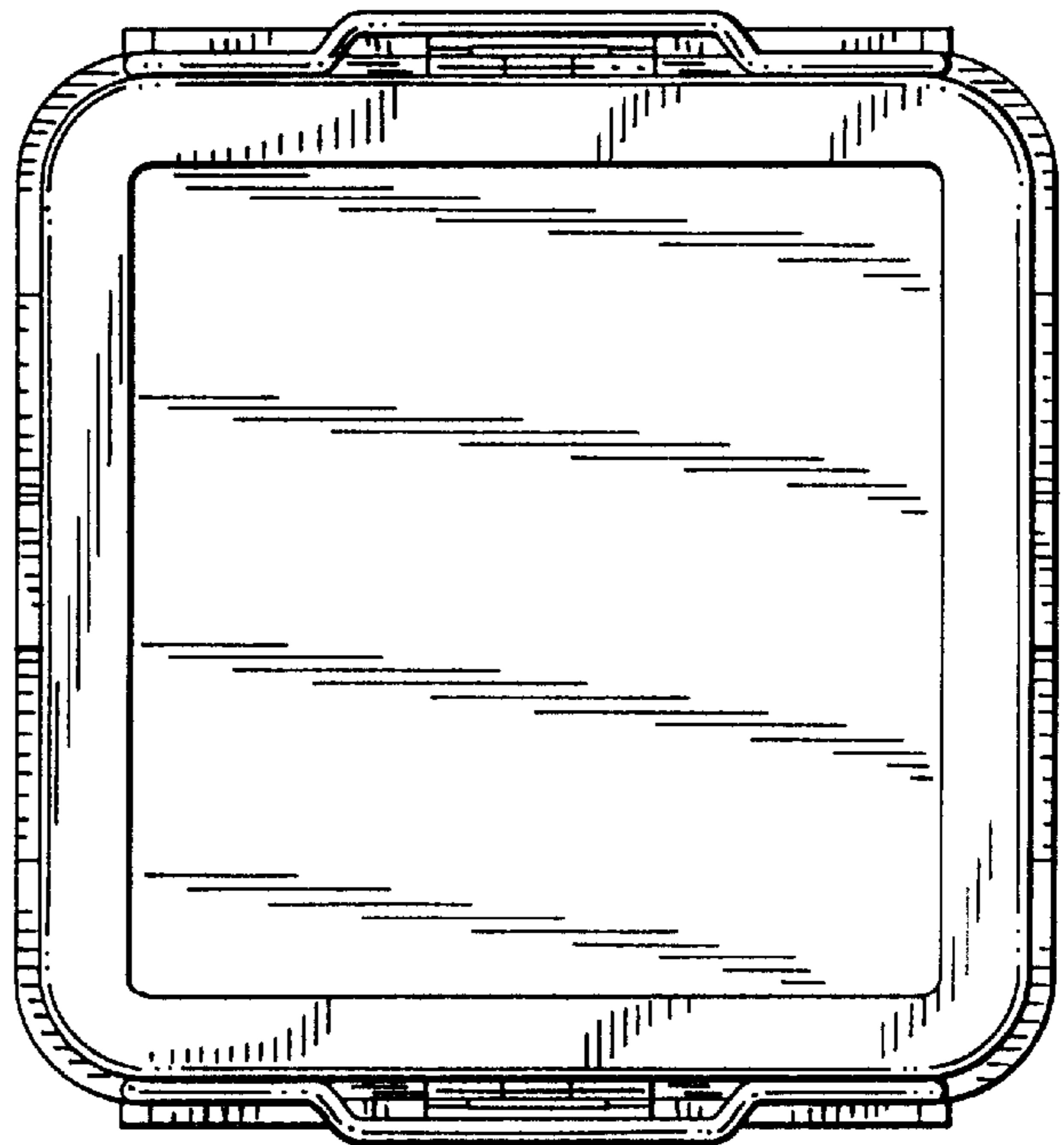


FIG. 5

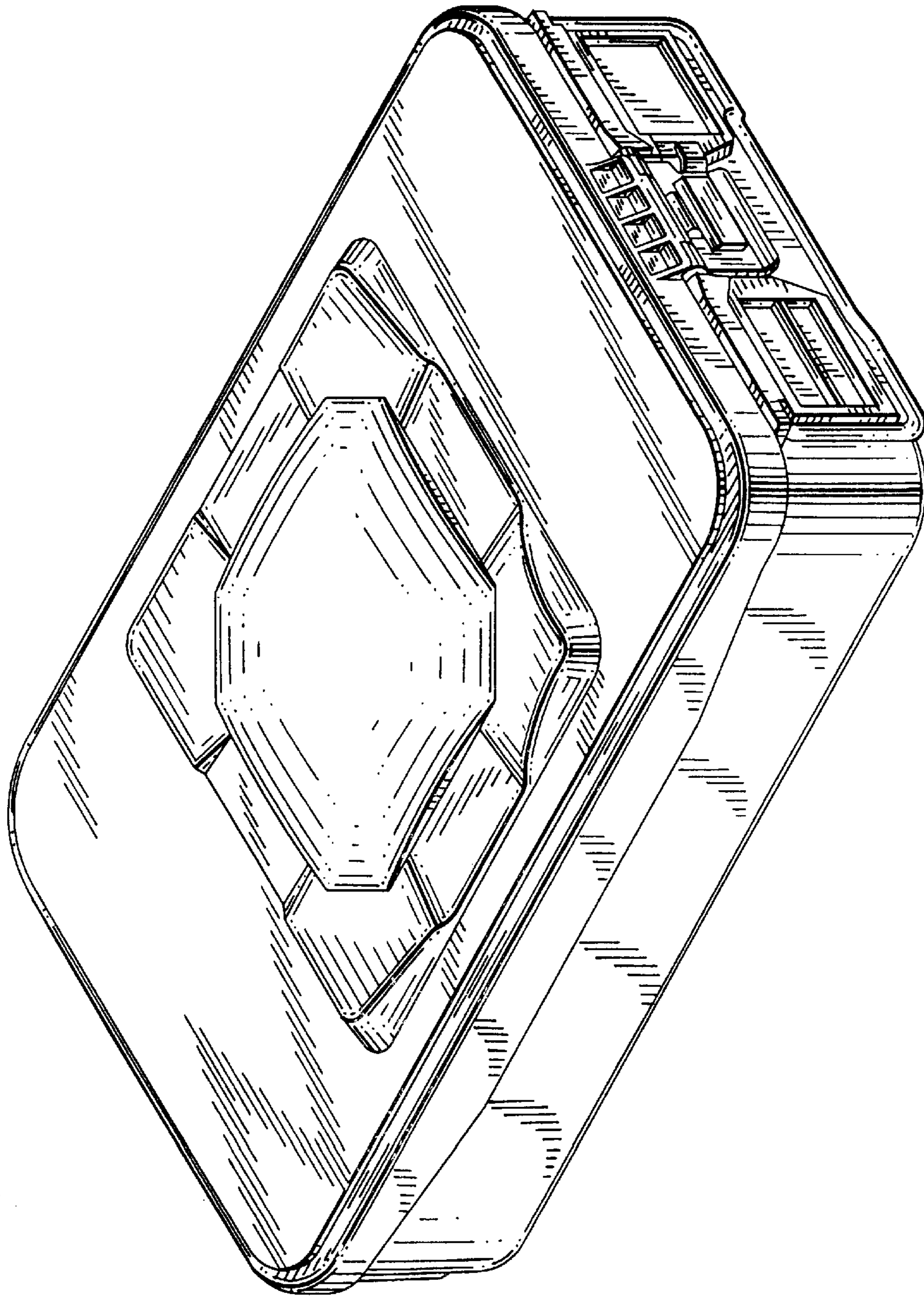


FIG. 6

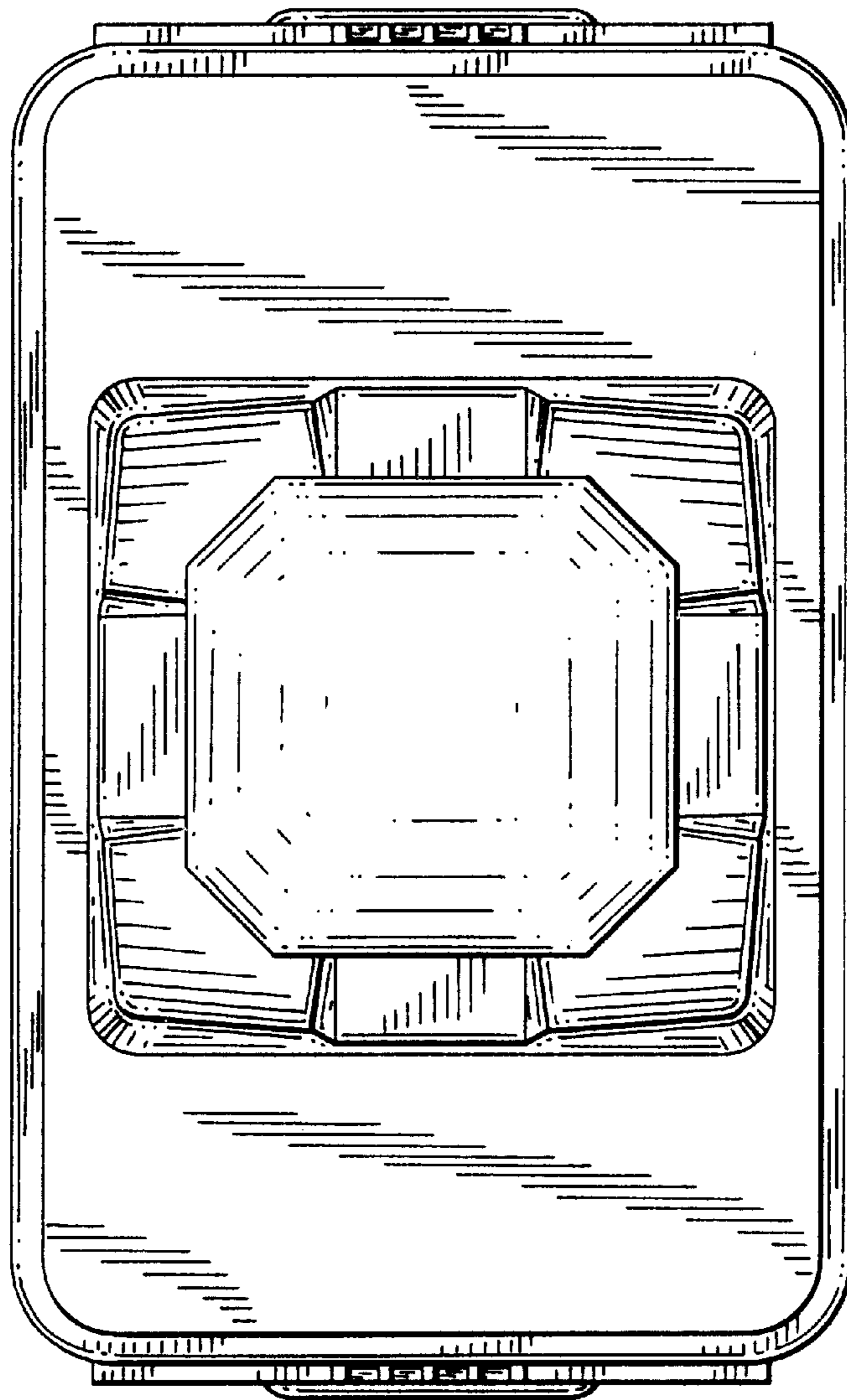


FIG. 7

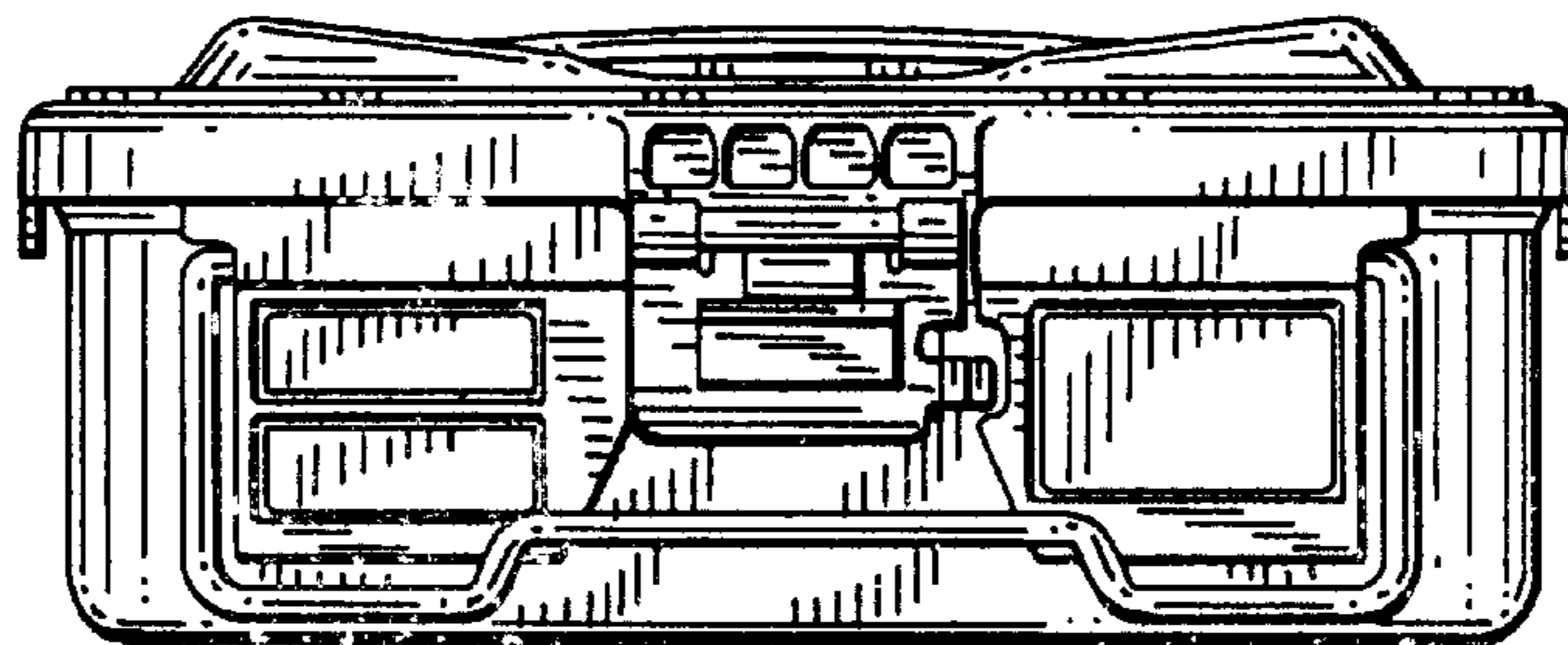


FIG. 8

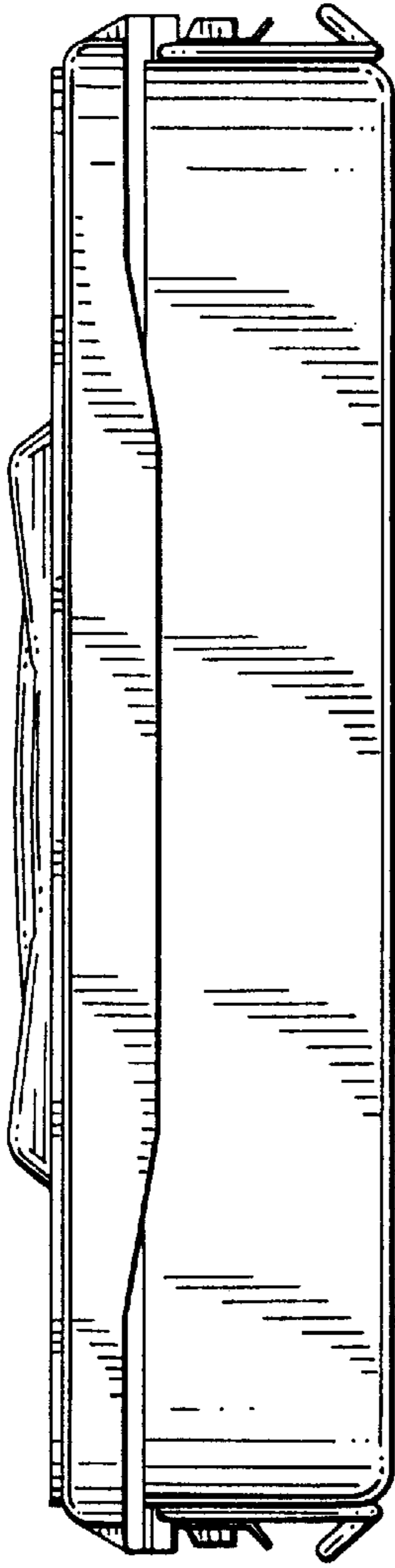


FIG. 9

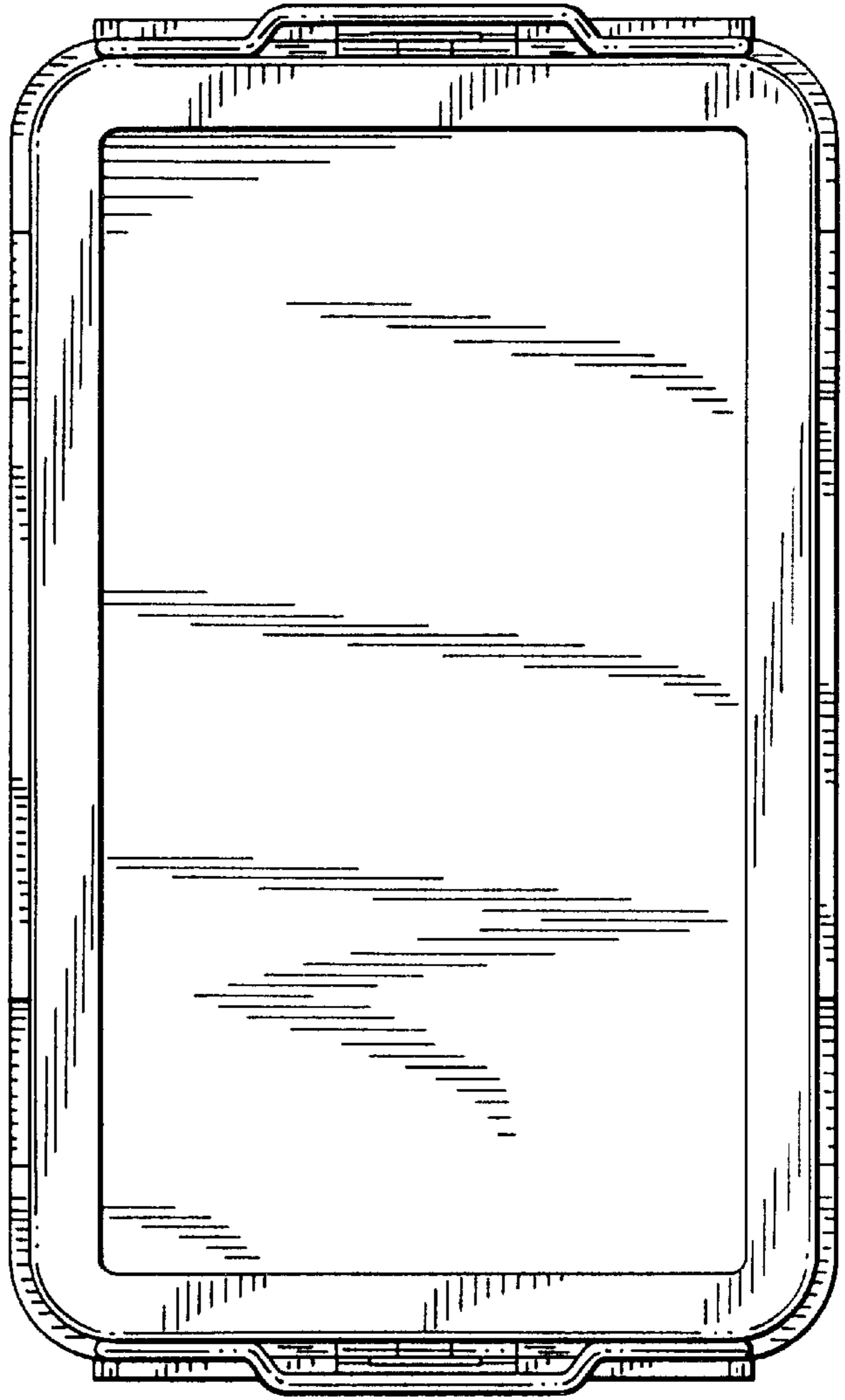


FIG. 10